



US00D969370S

(12) **United States Design Patent** (10) **Patent No.:** **US D969,370 S**
Davis et al. (45) **Date of Patent:** **** Nov. 8, 2022**

(54) **MODULAR LED STRIP FOR A HEADLAMP**

FOREIGN PATENT DOCUMENTS

(71) Applicant: **Optimal Ventures, LLC**, Arlington Heights, IL (US)

GB 6129003 * 4/2021

(72) Inventors: **Chad Davis**, Oak Park, IL (US); **Avery Bellis**, Chicago, IL (US); **Dan Williams**, Wood Dale, IL (US); **Marcus Papadopoulos**, Chicago, IL (US); **Brian Donlin**, Chicago, IL (US)

OTHER PUBLICATIONS

80000 Lumens USB Rechargeable Headlamp. By Jun Chi. Dated Jun. 8, 2021. Found online [Mar. 25, 2022]. <https://www.amazon.com/Rechargeable-Headlight-Illumination-Headlamps-Lightweight/dp/B096TL78CJ> (Year: 2021).*

(73) Assignee: **Optimal Ventures, LLC**, Arlington Heights, IL (US)

Primary Examiner — Marissa J Cash
Assistant Examiner — William B Melliar

(**) Term: **15 Years**

(74) *Attorney, Agent, or Firm* — Bishop, Diehl & Lee, Ltd.

(21) Appl. No.: **29/733,304**

(57) **CLAIM**

(22) Filed: **Apr. 30, 2020**

The ornamental design for a modular LED strip for a headlamp, as shown and described.

(51) **LOC (13) Cl.** **26-02**

(52) **U.S. Cl.**
USPC **D26/39**

DESCRIPTION

(58) **Field of Classification Search**

USPC D26/24, 37-52, 113, 118-119, 138
CPC F21Y 2115/10; F21Y 2113/13; F21Y 2115/30; F21Y 2113/10; F21Y 2105/12; F21Y 2107/00; F21Y 2113/00; F21Y 2113/17; F21Y 2113/20; F21Y 2115/00; F21V 21/084; F21V 23/0414; F21V 23/0492; F21V 23/002; F21V 21/0816; F21V 21/30; F21V 23/003; F21V 23/0471; F21V 14/06; F21V 15/01; F21V 17/02; F21V 21/096; F21V 21/0965; F21V 21/145; F21V 23/023; F21V 23/0442; F21V 14/02; F21V 14/025; F21V 14/04; F21V 17/007;

FIG. 1 is an elevated isometric view of a modular LED strip for a headlamp showing the new design;
FIG. 2 is a front side view of the modular LED strip for a headlamp as shown in FIG. 1;
FIG. 3 is a back side view of the modular LED strip for a headlamp as shown in FIG. 1;
FIG. 4 is a left side view of the modular LED strip for a headlamp as shown in FIG. 1;
FIG. 5 is a right side view of the modular LED strip for a headlamp as shown in FIG. 1;
FIG. 6 is a top view of the modular LED strip for a headlamp as shown in FIG. 1;
FIG. 7 is a bottom view of the modular LED strip for a headlamp as shown in FIG. 1; and,
FIG. 8 is an environmental view of the modular LED strip for a headlamp as shown in FIG. 1.

(Continued)

The broken lines shown in the drawings depict portions of the modular LED strip for a headlamp that form no part of the claimed design. The additional broken lines shown in FIG. 8 depict environment only and form no part thereof.

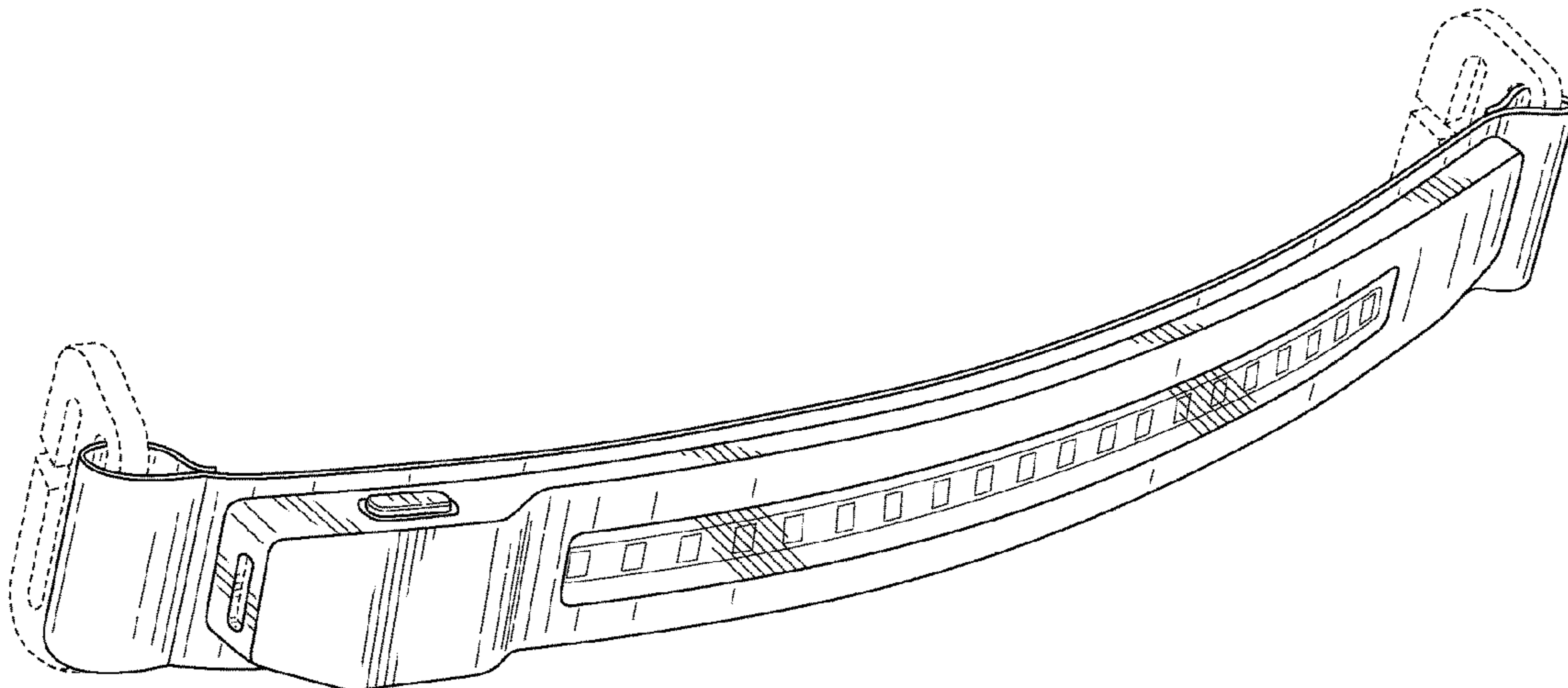
(56) **References Cited**

U.S. PATENT DOCUMENTS

D703,864 S * 4/2014 Blum D26/85
D750,824 S * 3/2016 Bonang D26/39

(Continued)

1 Claim, 5 Drawing Sheets



(58) **Field of Classification Search**

CPC F21V 17/06; F21V 17/12; F21V 21/002;
F21V 21/0885; F21V 21/10; F21V
23/007; F21V 23/02; F21V 23/0464;
F21V 23/0478; F21V 23/0485; F21V
29/15; F21V 29/70; F21V 33/0008; F21V
5/004; F21V 5/006; F21V 5/008; F21V
5/08; F21V 7/00; F21V 7/09; F21V 9/30

See application file for complete search history.

(56) **References Cited**

U.S. PATENT DOCUMENTS

D809,686	S	*	2/2018	Royal	D26/39
D832,479	S	*	10/2018	Yang	D26/39
D884,931	S	*	5/2020	Yang	D26/24
D888,304	S	*	6/2020	Besley	D26/39
10,907,776	B1	*	2/2021	Haddad	F21V 21/0816
D946,796	S	*	3/2022	Bilbao, Jr.	D26/39
2018/0320839	A1	*	11/2018	Briscoe	F21V 31/005
2019/0390844	A1	*	12/2019	Sedlacek	F21L 4/02

* cited by examiner

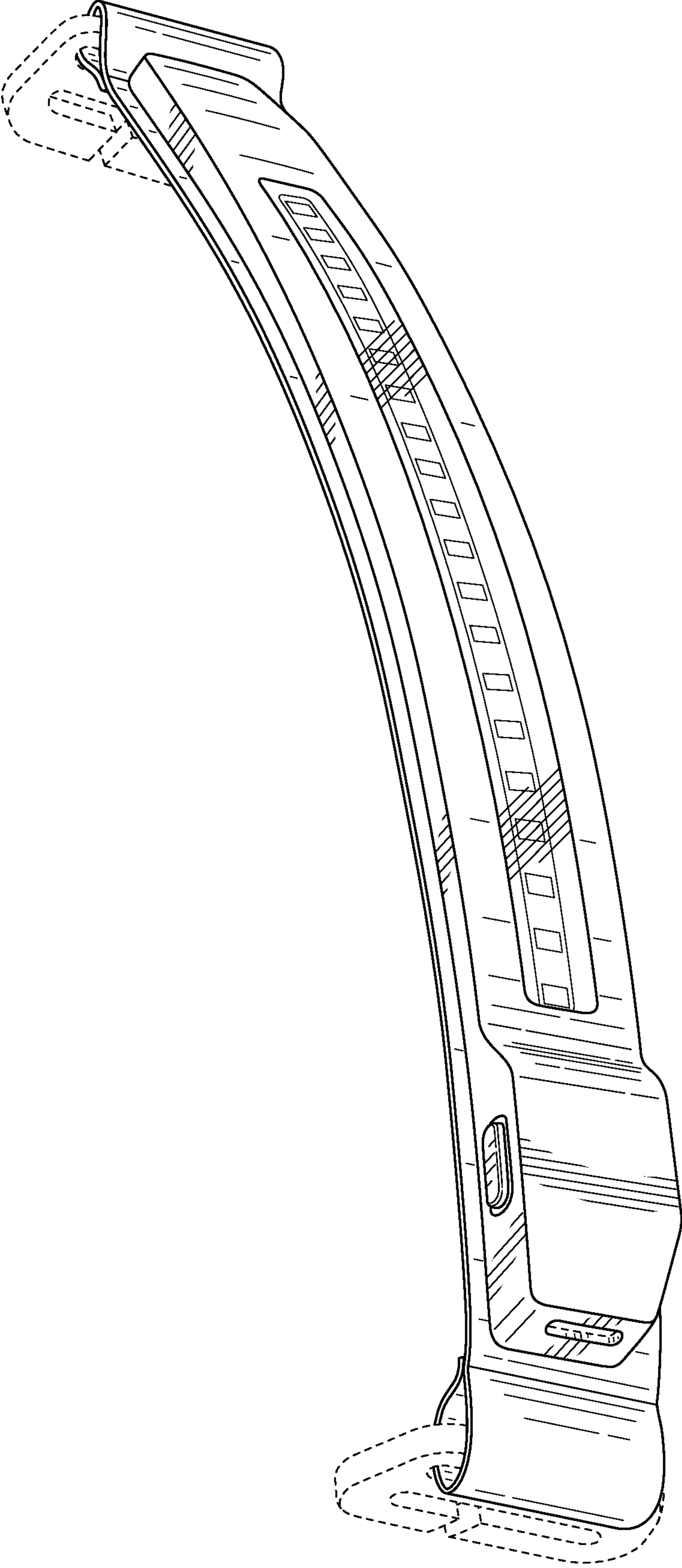


FIG. 1

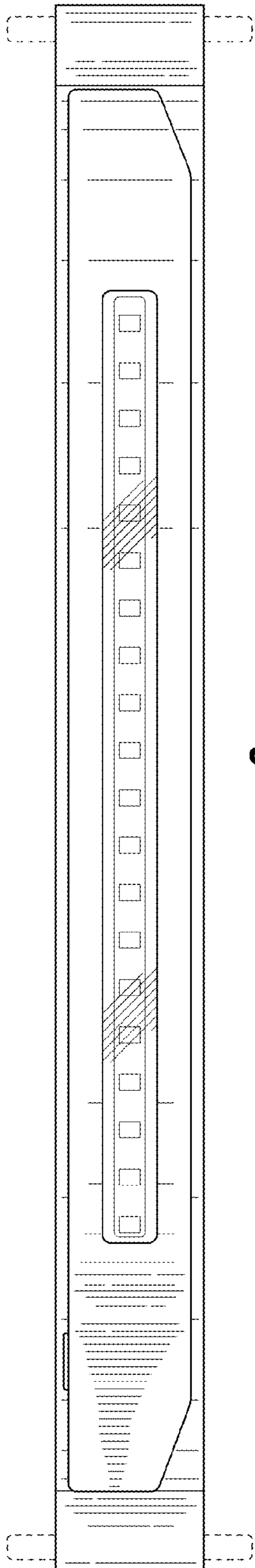


FIG. 2

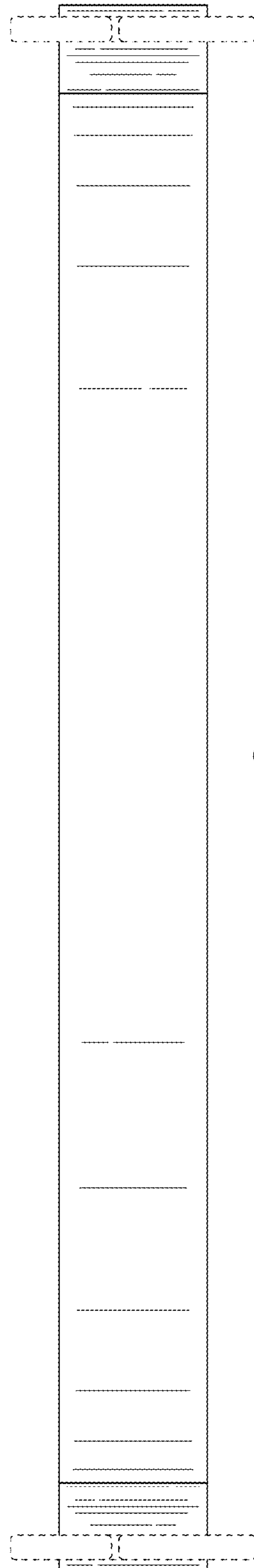


FIG. 3

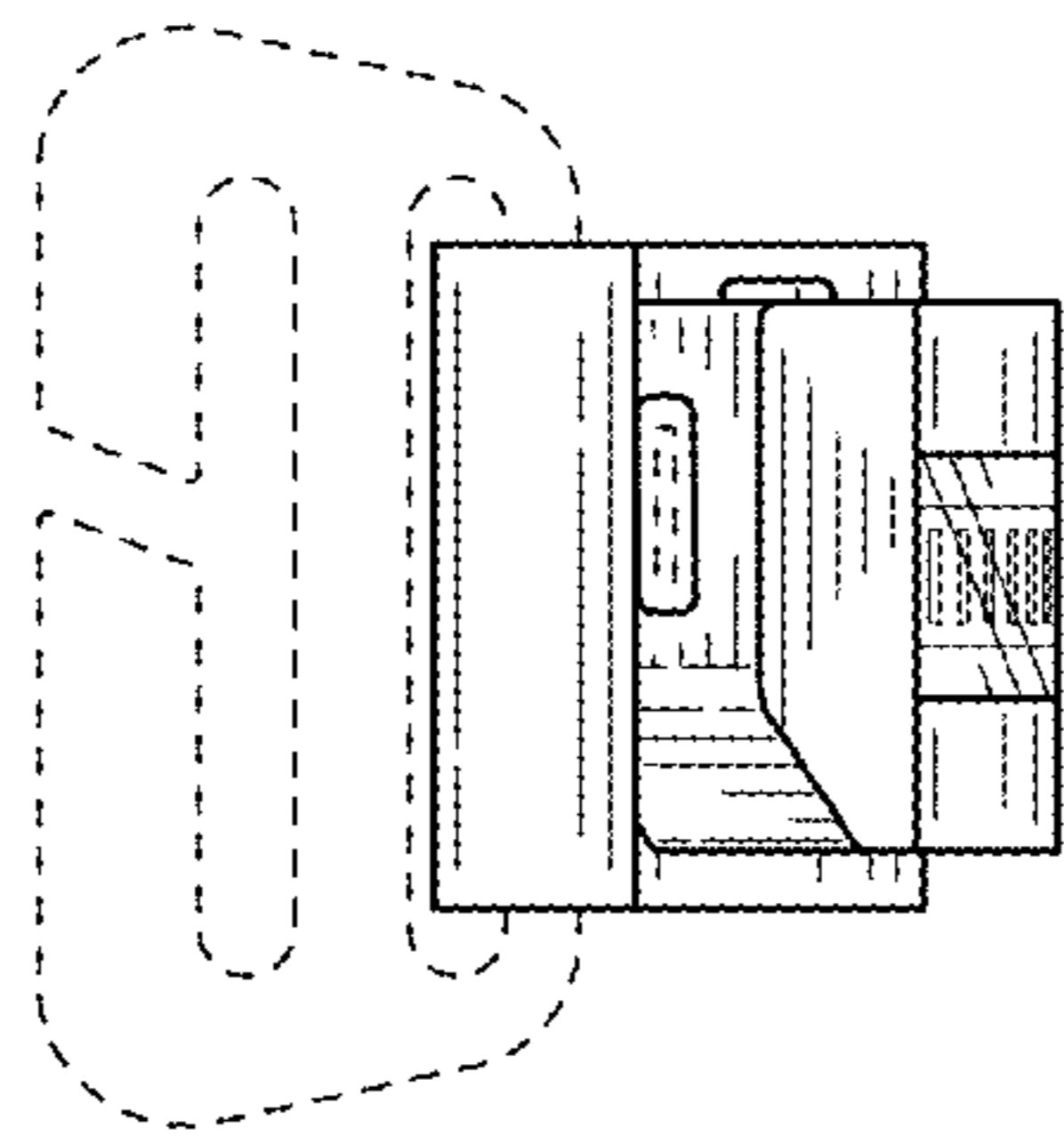


FIG. 4

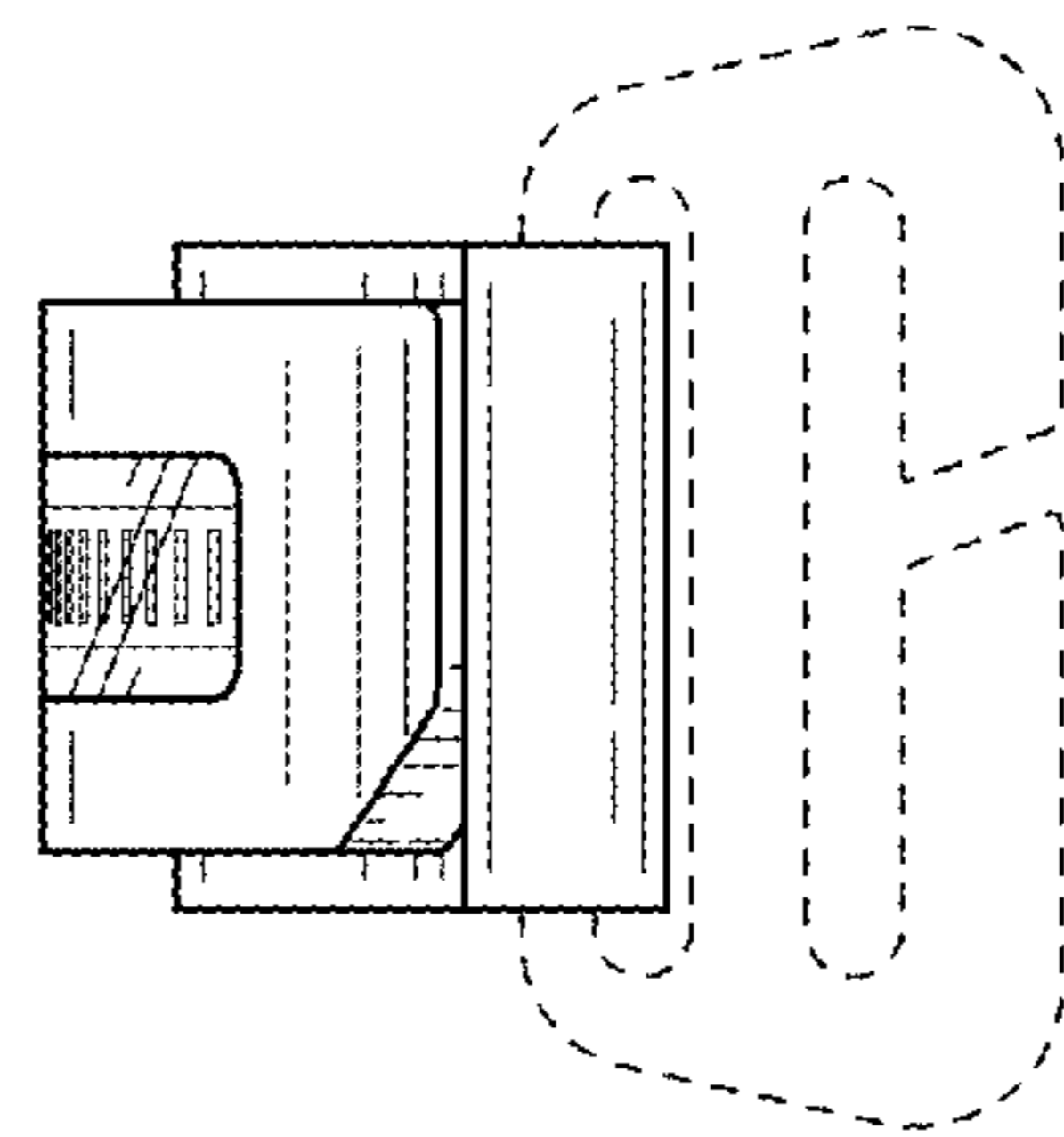


FIG. 5

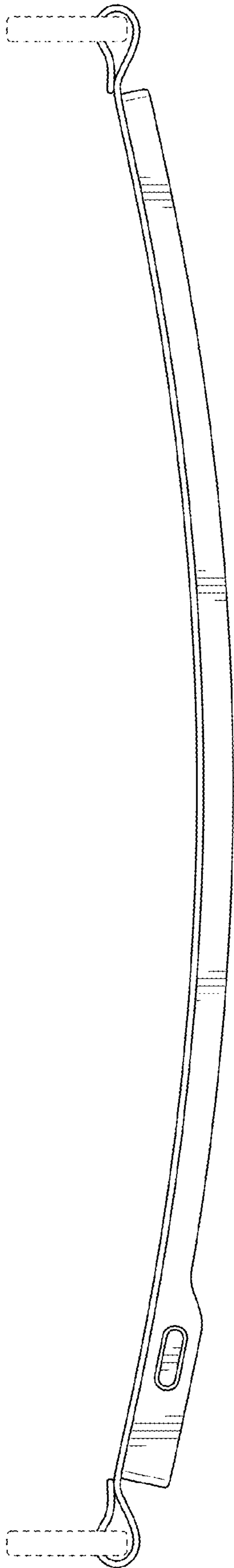


FIG. 6

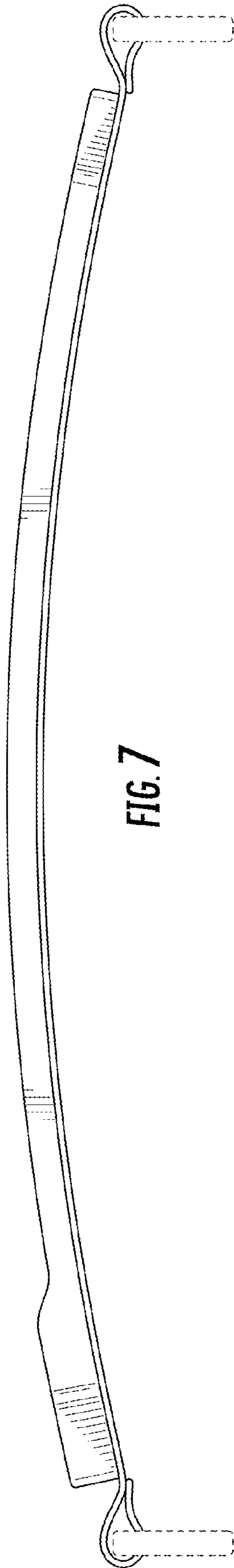


FIG. 7

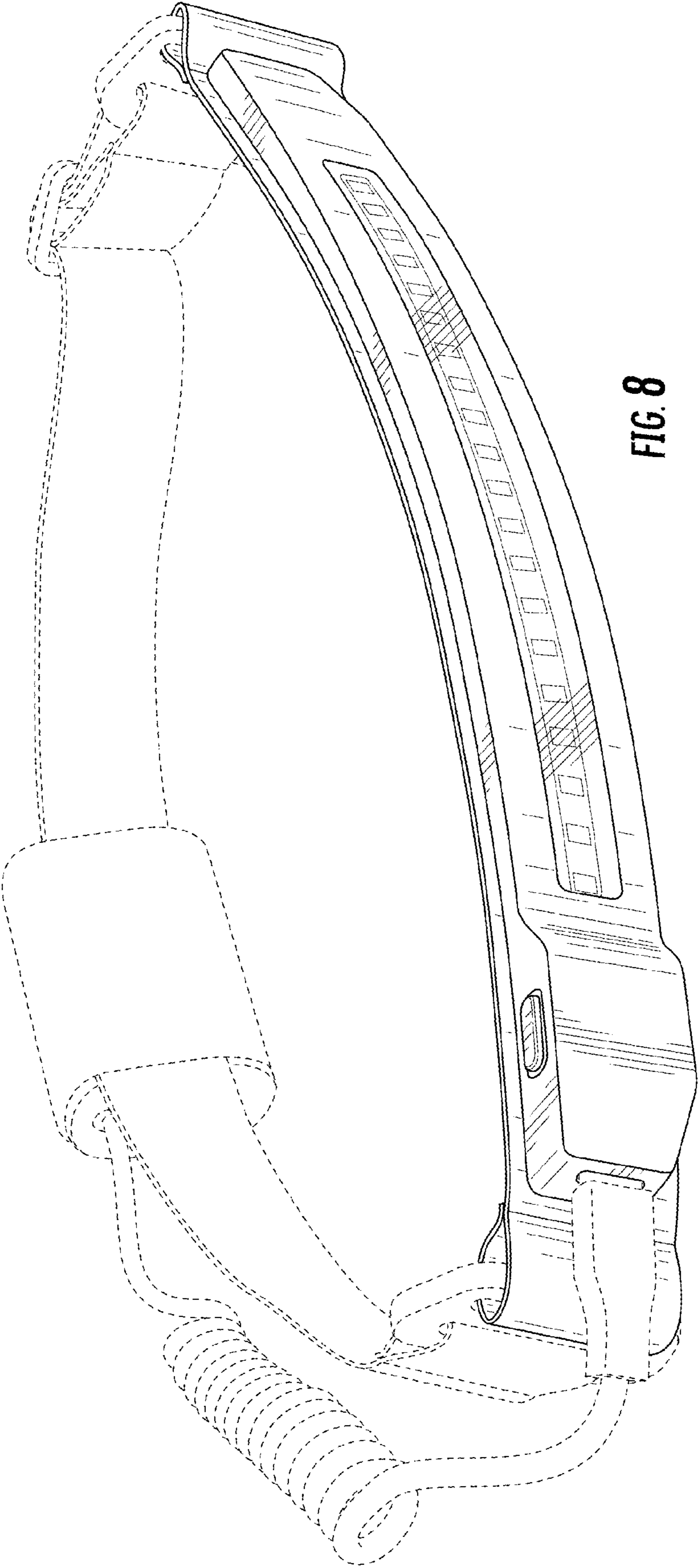


FIG. 8