



US00D969369S

(12) **United States Design Patent**
Borgen et al.

(10) **Patent No.:** **US D969,369 S**
(45) **Date of Patent:** **** Nov. 8, 2022**

(54) **HEADLIGHT BULB FOR VEHICLE**
(71) Applicant: **Lumileds, LLC**, San Jose, CA (US)
(72) Inventors: **Marcel Borgen**, Munich (DE); **Wilbert Heffels**, Munich (DE); **Juergen Mertens**, Munich (DE)
(73) Assignee: **Lumileds, LLC**, San Jose, CA (US)
(**) Term: **15 Years**

D769,489 S * 10/2016 Ma D26/28
D769,490 S * 10/2016 Ma D26/28
D777,961 S * 1/2017 Wu D26/28
D789,577 S * 6/2017 Xu D26/28
D789,578 S * 6/2017 Woodworth D26/28
D808,553 S * 1/2018 Shengjin D26/28
D820,485 S * 6/2018 Yan D26/28
D824,052 S * 7/2018 Conte D26/28
D825,085 S * 8/2018 Jian D26/28
D841,205 S * 2/2019 Dai D26/28
D846,775 S * 4/2019 Yan D26/28
10,260,684 B2* 4/2019 Elzinga F21K 9/23

(Continued)

(21) Appl. No.: **35/511,337**

(22) Filed: **Aug. 7, 2020**

(80) **Hague Agreement Data**

Int. Filing Date: **Aug. 7, 2020**
Int. Reg. No.: **DM/210963**
Int. Reg. Date: **Aug. 7, 2020**
Int. Reg. Pub. Date: **Feb. 12, 2021**

(51) **LOC (13) Cl.** **26-06**

(52) **U.S. Cl.**
USPC **D26/28**

(58) **Field of Classification Search**
USPC D26/28, 29, 30, 31, 32, 33, 34, 35, 36
CPC F21K 9/00; F21K 9/23; F21S 41/00; F21S 41/14; F21S 41/141; F21S 41/20; F21S 41/30; F21S 41/148; F21S 41/192; F21S 41/40; F21S 41/143; F21S 41/145; F21S 41/147; F21S 43/00; F21S 43/10; F21S 43/14; F21S 43/15; F21S 43/20; F21S 43/30; F21S 43/19; F21S 45/47; F21W 2102/13; B60Q 1/26; B60Q 1/2619; B60Q 1/28

See application file for complete search history.

(56) **References Cited**

U.S. PATENT DOCUMENTS

D720,483 S * 12/2014 Saddig D26/28
D769,487 S * 10/2016 Ma D26/28
D769,488 S * 10/2016 Ma D26/28

OTHER PUBLICATIONS

H11 Platinum 6000 Lumens LED Headlight Bulb, Kenworth T700 Bulbs, 4statetrucks.com, https://www.4statetrucks.com/lighting/semi-truck-h11-platinum-240-lumen-led-headlight-bulb-pair_201809.asp?gclid=EAIaIQobChMlqZf4-LWd9QIVBPnlCh2MMg7cEAQYASABEglx3PD_BwE (Year: 2021).*

(Continued)

Primary Examiner — Steven J Cxyz

(74) *Attorney, Agent, or Firm* — Volpe Koenig

(57) **CLAIM**

The ornamental design for a headlight bulb for vehicle, as shown and described.

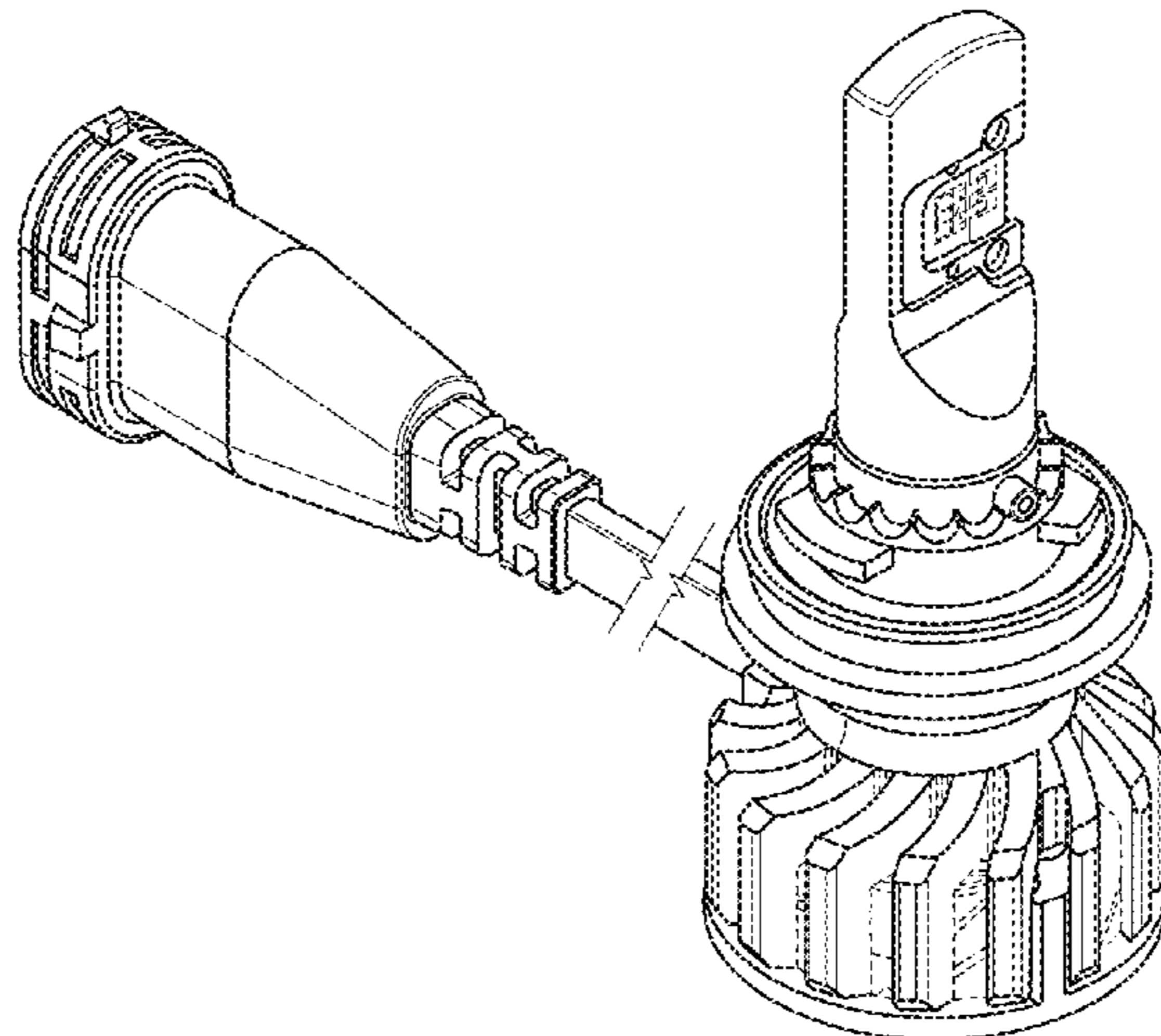
DESCRIPTION

1. Headlight bulb for vehicle

- 1.1 : Left
- 1.2 : Right
- 1.3 : Front
- 1.4 : Back
- 1.5 : Perspective
- 1.6 : Top
- 1.7 : Bottom

The headlight bulb for vehicle is shown with a symbolic break in its length. The appearance of any portion of the article between the break lines forms no part of the claimed design.

1 Claim, 7 Drawing Sheets



(56)

References Cited

U.S. PATENT DOCUMENTS

D861,936 S * 10/2019 Li D26/28
 D865,238 S * 10/2019 Wu D26/28
 D867,632 S * 11/2019 Wu D26/28
 D869,031 S * 12/2019 Zhang D26/28
 10,548,200 B1 * 1/2020 Xu F21K 9/278
 10,605,427 B1 * 3/2020 Chen F21V 29/70
 D884,229 S * 5/2020 Huang D26/28
 D887,042 S * 6/2020 Jiang D26/28
 D889,000 S * 6/2020 Zheng D26/28
 D890,370 S * 7/2020 Pan D26/28
 D890,372 S * 7/2020 Lan D26/28
 D892,370 S * 8/2020 Yan D26/28
 D894,449 S * 8/2020 Wang D26/28
 D895,166 S * 9/2020 Mo D26/2
 D898,245 S * 10/2020 Xu D26/28
 D898,246 S * 10/2020 Yan D26/28
 D898,249 S * 10/2020 Yan D26/28
 D898,250 S * 10/2020 Yan D26/28
 D898,251 S * 10/2020 Yan D26/28
 D898,961 S * 10/2020 Xu D26/28
 D899,639 S * 10/2020 Li D26/28
 D899,640 S * 10/2020 Li D26/28
 D903,169 S * 11/2020 Xu F21K 9/23
 D26/28
 D913,538 S * 3/2021 Zhang H01K 3/16
 D26/28
 D913,550 S * 3/2021 Wang H01K 1/58
 D26/28
 10,995,923 B1 * 5/2021 Lessard F21S 41/194
 11,005,224 B1 * 5/2021 Nguyen F21V 21/02

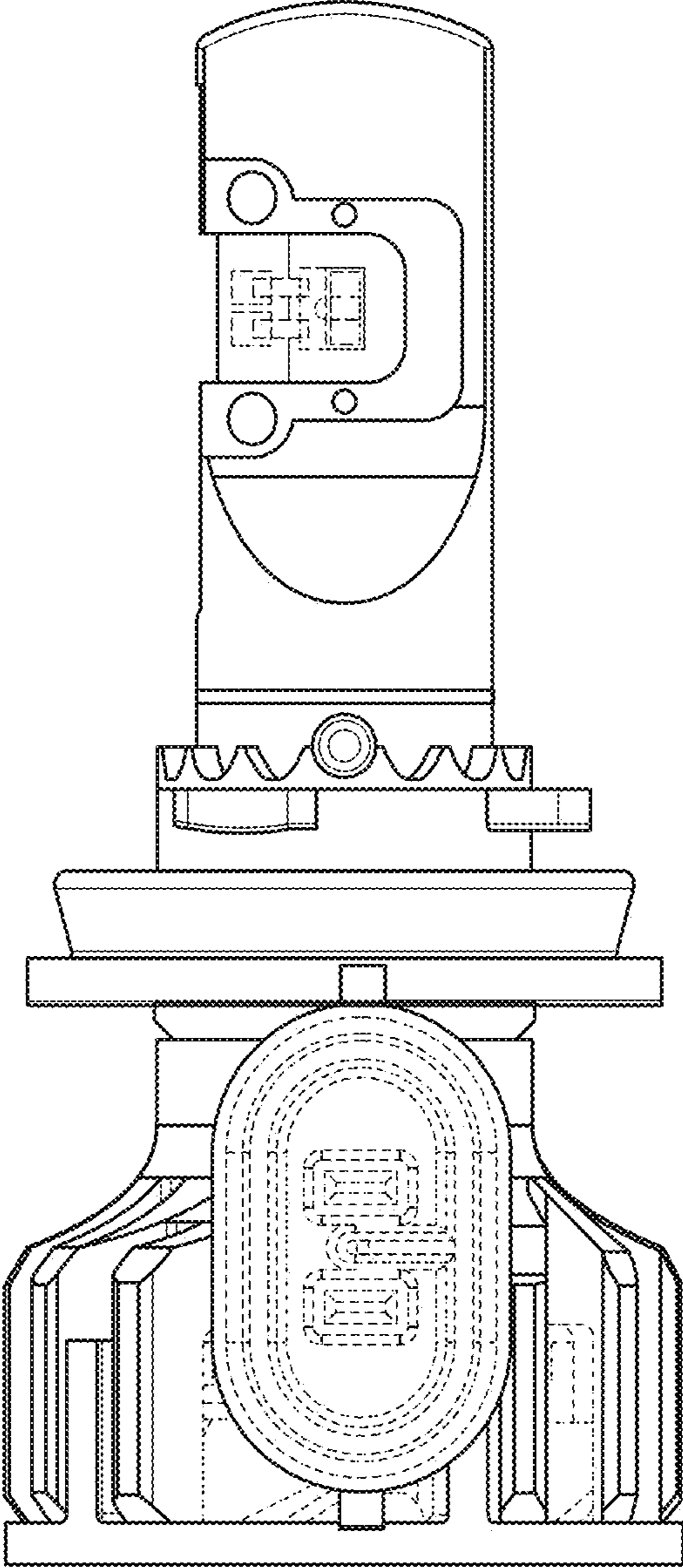
11,028,991 B1 * 6/2021 Ueno F21S 41/19
 D927,028 S * 8/2021 Zheng D26/28
 D927,744 S * 8/2021 Chen F21K 9/278
 D26/28
 D928,356 S * 8/2021 Wang D26/28
 D928,357 S * 8/2021 Zheng F21S 41/141
 D26/28
 D929,001 S * 8/2021 Zhang F21V 17/10
 D26/28
 11,079,090 B1 * 8/2021 Ishida F21K 9/68
 D936,867 S * 11/2021 Xu F21K 9/68
 D26/28
 11,193,648 B2 * 12/2021 Kessels H05B 45/14
 11,199,297 B2 * 12/2021 Schoenfelder F21S 45/47
 2007/0159840 A1 * 7/2007 Knorr H01K 3/16
 362/549
 2007/0164649 A1 * 7/2007 Knorr H01K 1/58
 313/318.01
 2016/0319999 A1 * 11/2016 Elzinga H01L 33/62
 2018/0142879 A1 * 5/2018 Elwell F21S 41/141
 2018/0306397 A1 * 10/2018 Matsumoto F21S 41/663
 2019/0360681 A1 * 11/2019 Zhou F21V 17/10

OTHER PUBLICATIONS

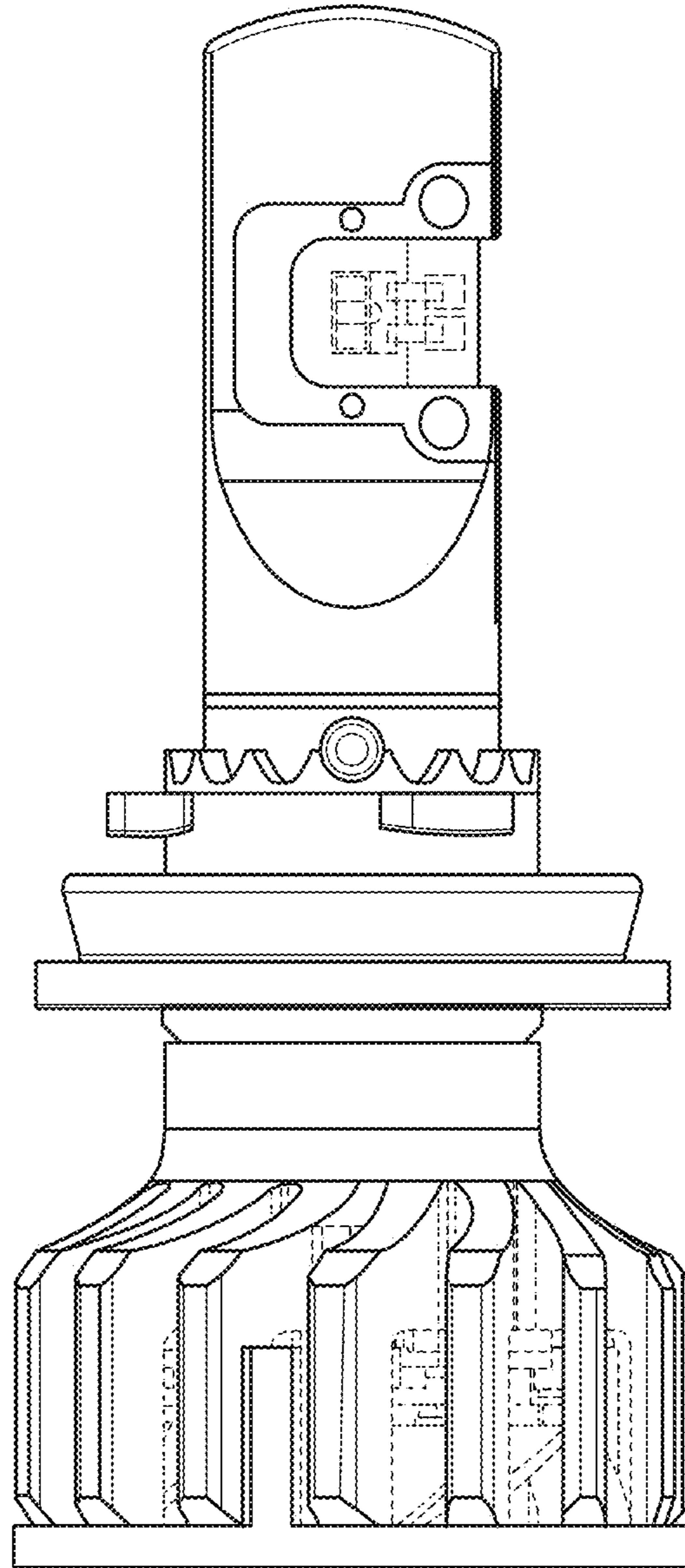
Platinum Series 9007 LED Headlight Bulbs, Bulbs and Conversion Kits, Budandtonystruckparts.com, https://www.budandtonystruckparts.com/platinum-series-9007-led-headlight-bulbs?gclid=EAlaQobChMlqZf4-LWd9QIVBPnlCh2MMg7cEAsYBiABEgJAD_D_BwE (Year: 2021).*

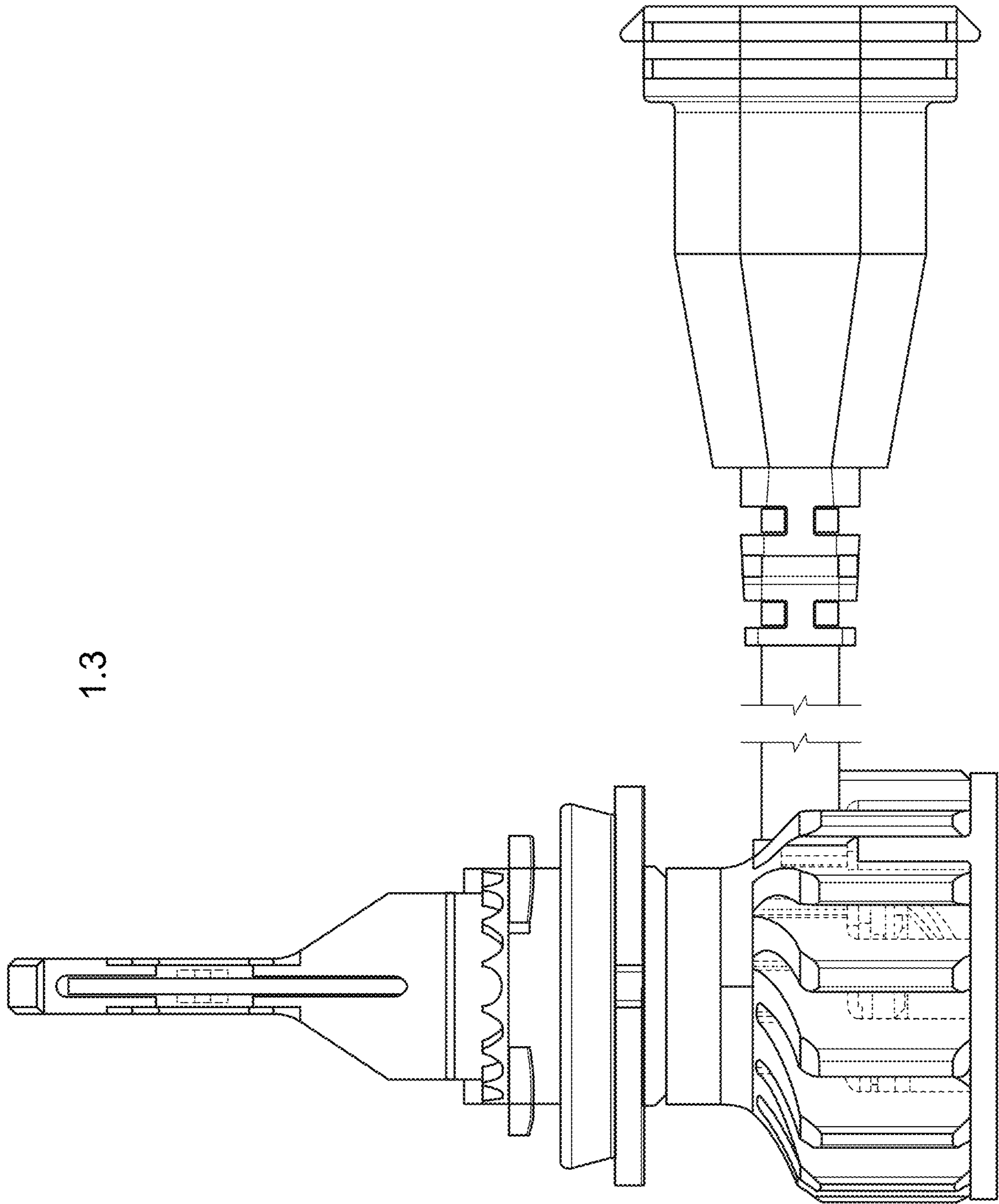
* cited by examiner

1.1

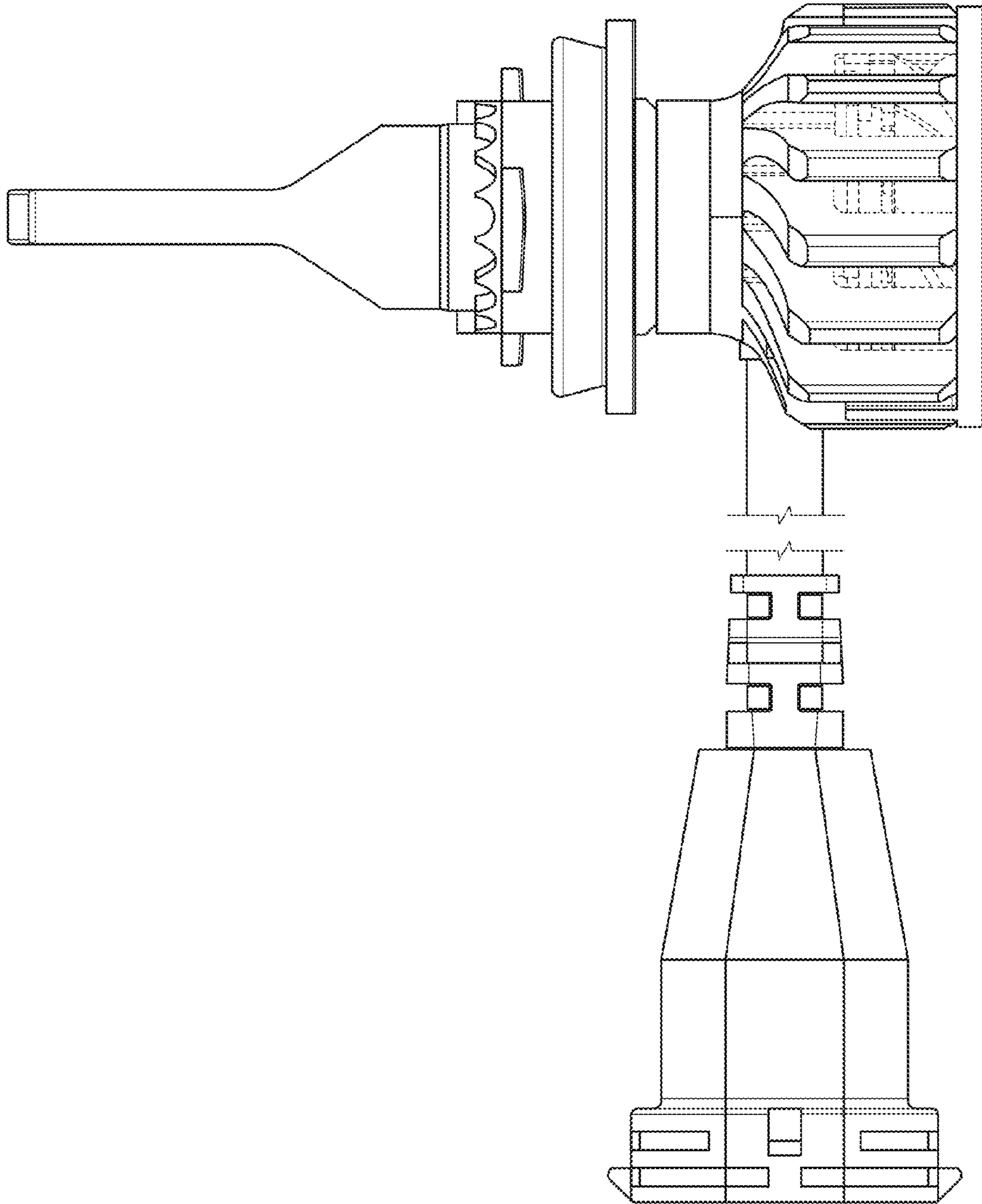


1.2



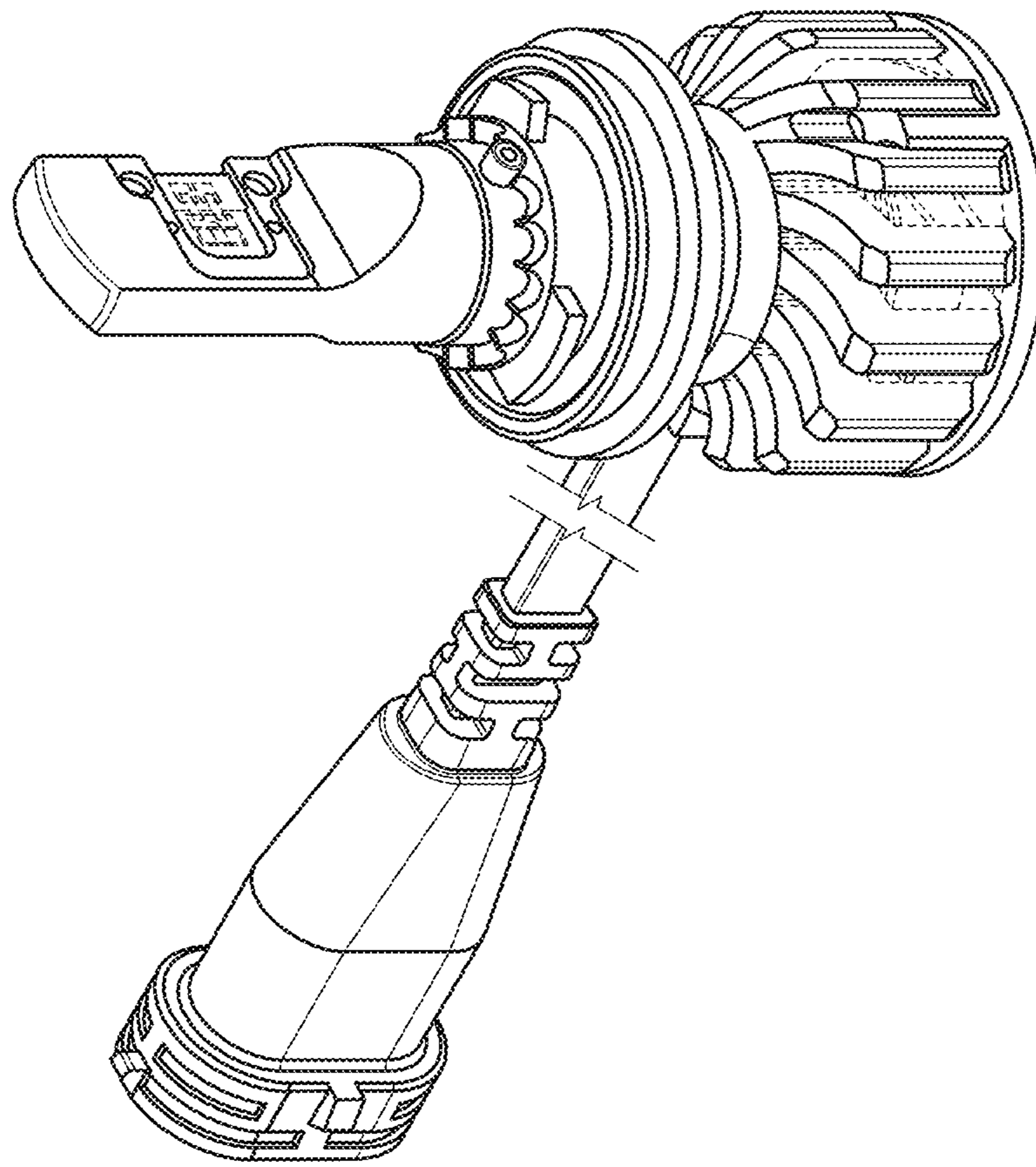


1.3

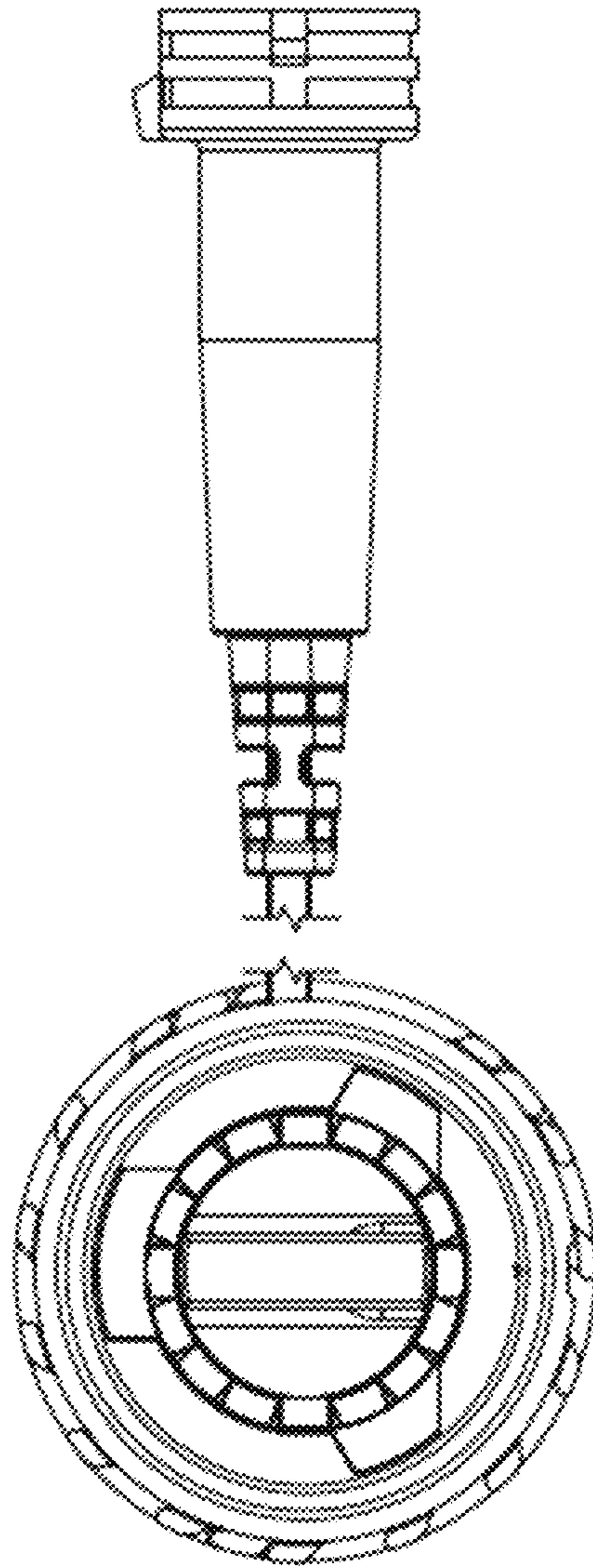


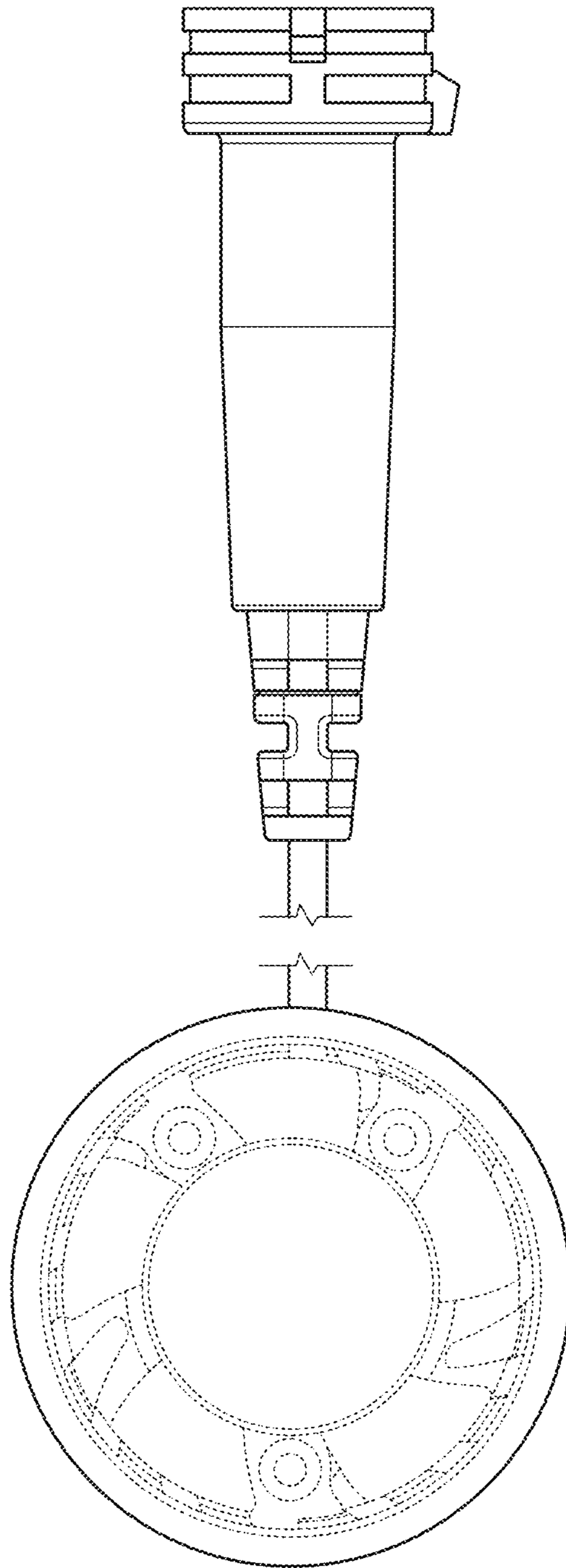
1.4

1.5



1.6





1.7