



US00D969367S

(12) **United States Design Patent**  
**Chen**

(10) **Patent No.:** **US D969,367 S**

(45) **Date of Patent:** **\*\* Nov. 8, 2022**

(54) **CAR HEADLIGHT**

D772,448 S \* 11/2016 Ishii ..... D26/28  
D789,572 S \* 6/2017 Peat ..... D26/28

(71) Applicant: **Zhejiang Hongguan Lighting Technology Co., Ltd.**, Ruian (CN)

\* cited by examiner

(72) Inventor: **Yu Chen**, Ruian (CN)

*Primary Examiner* — Marcus A Jackson

(\*\*) Term: **15 Years**

(57) **CLAIM**

The ornamental design for a car headlight, as shown and described.

(21) Appl. No.: **29/764,166**

**DESCRIPTION**

(22) Filed: **Dec. 29, 2020**

(51) **LOC (13) Cl.** ..... **26-06**

(52) **U.S. Cl.**  
USPC ..... **D26/28**

(58) **Field of Classification Search**  
USPC ..... D26/28-36, 139  
CPC ..... F21S 48/00; F21S 48/10; F21S 48/115;  
F21S 48/225; F21S 48/1233; F21S 48/1266; F21S 48/1388; F21S 48/2268;  
F21V 5/00; F21V 21/04; F21V 29/004;  
B60Q 9/13; B60Q 9/135; B60Q 9/1375  
See application file for complete search history.

FIG. 1 is a first perspective view of a first embodiment of a car headlight showing my new design;  
FIG. 2 is a front view of the first embodiment thereof;  
FIG. 3 is a back view of the first embodiment thereof;  
FIG. 4 is a left side view of the first embodiment thereof;  
FIG. 5 is a right side view of the first embodiment thereof;  
FIG. 6 is a top view of the first embodiment thereof;  
FIG. 7 is a bottom view of the first embodiment thereof;  
FIG. 8 is a first perspective view of a second embodiment of a car headlight showing my new design;  
FIG. 9 is a front view of the second embodiment thereof;  
FIG. 10 is a back view of the second embodiment thereof;  
FIG. 11 is a left side view of the second embodiment, thereof;  
FIG. 12 is a right side view of the second embodiment thereof;  
FIG. 13 is a top view of the second embodiment thereof;  
and,  
FIG. 14 is a bottom view of the second embodiment thereof.

(56) **References Cited**

**U.S. PATENT DOCUMENTS**

D684,710 S \* 6/2013 Chen ..... D26/28  
D691,754 S \* 10/2013 Chen ..... D26/28  
D723,723 S \* 3/2015 Goto ..... D26/28  
D735,920 S \* 8/2015 Honda ..... D26/28  
D769,483 S \* 10/2016 Morikawa ..... D26/28

**1 Claim, 14 Drawing Sheets**



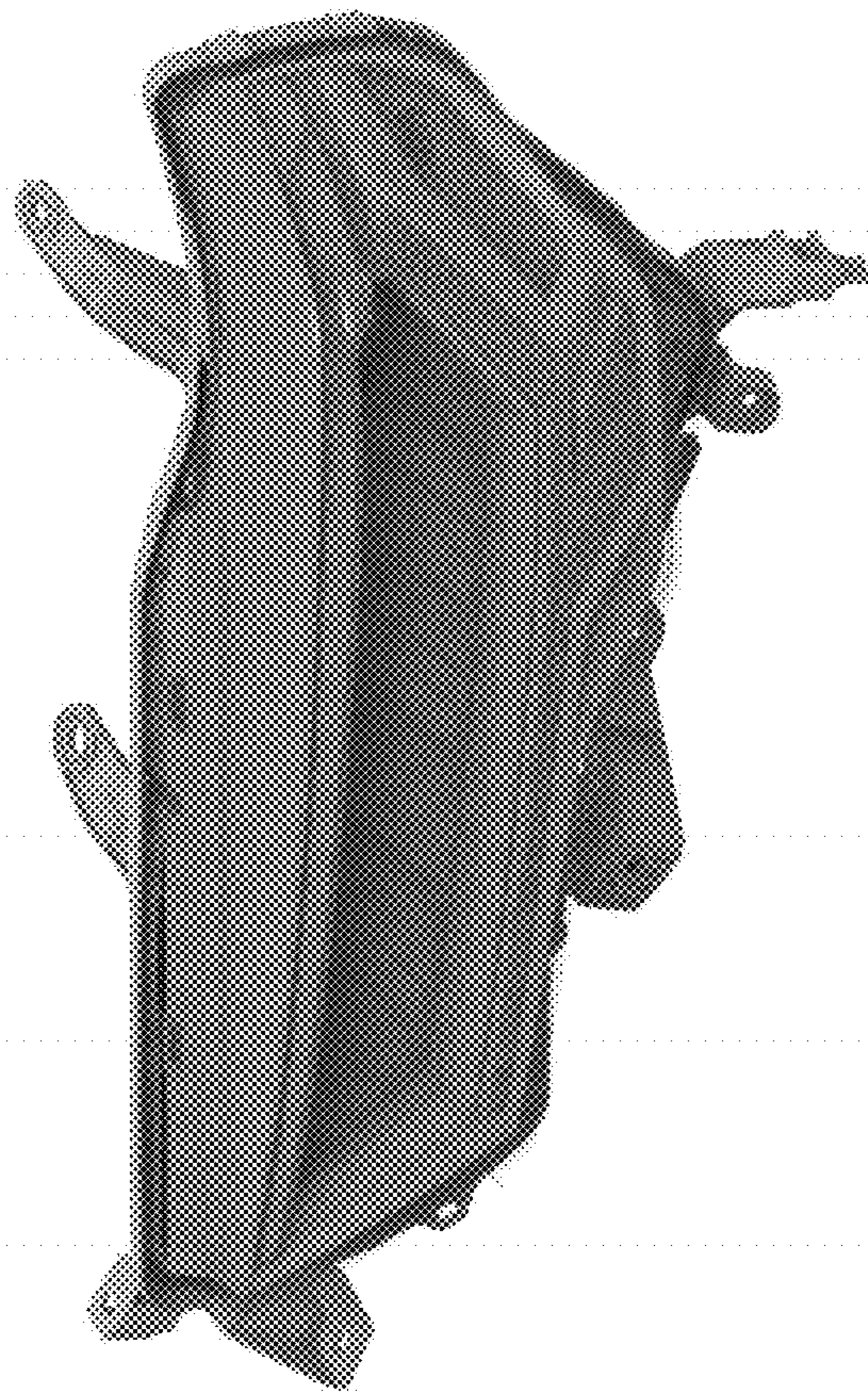


FIG.1

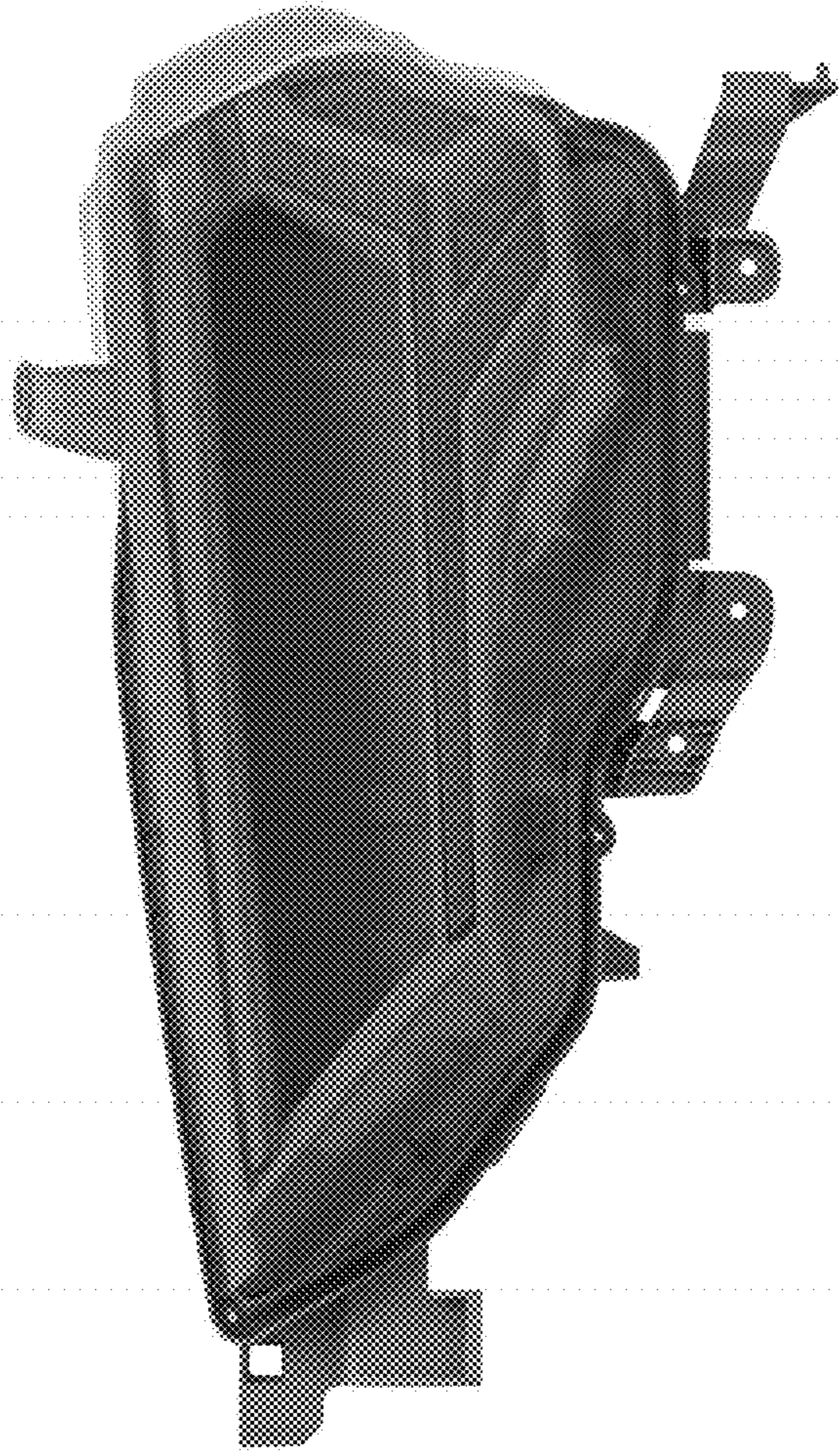


FIG. 2

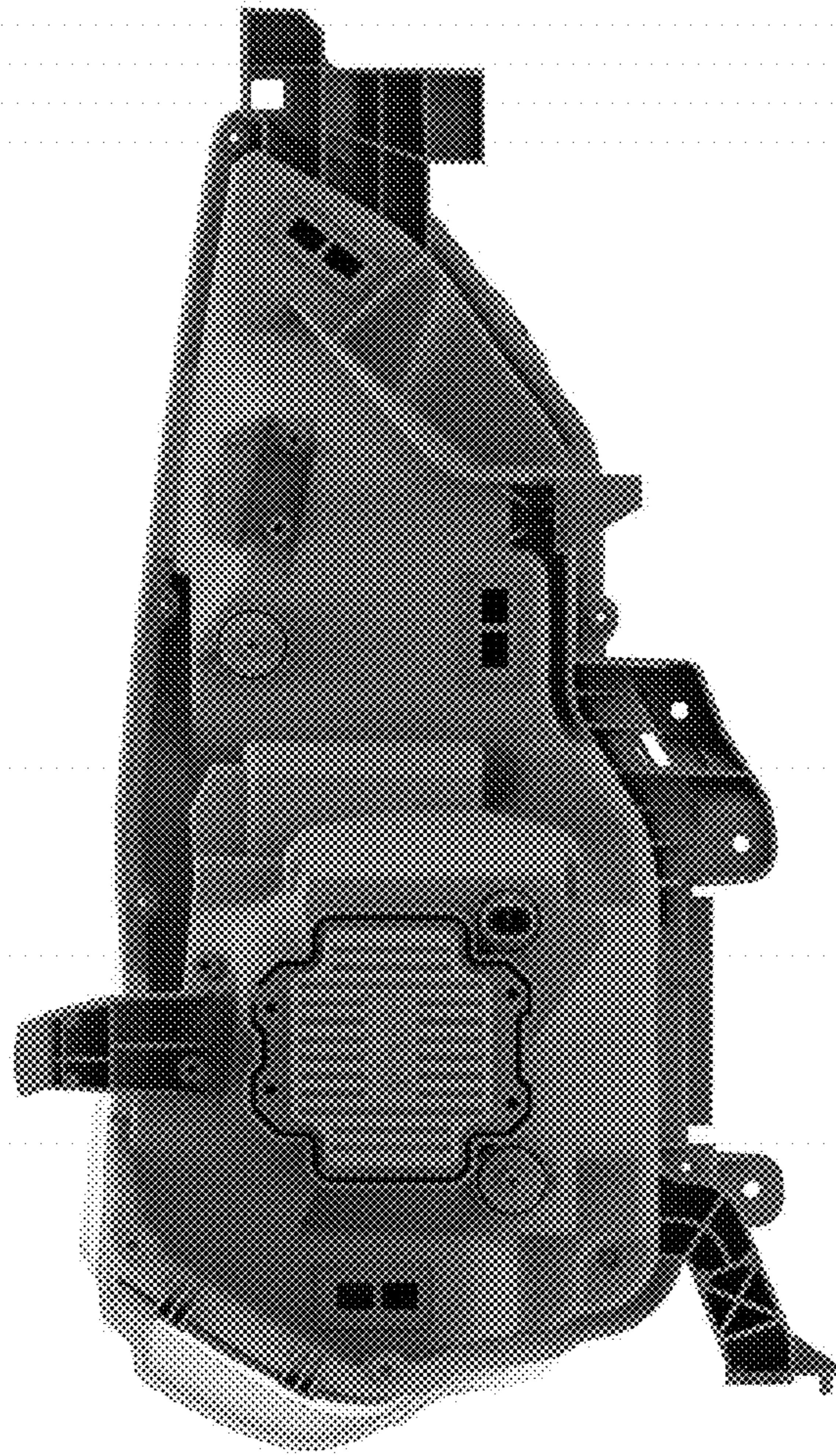


FIG.3

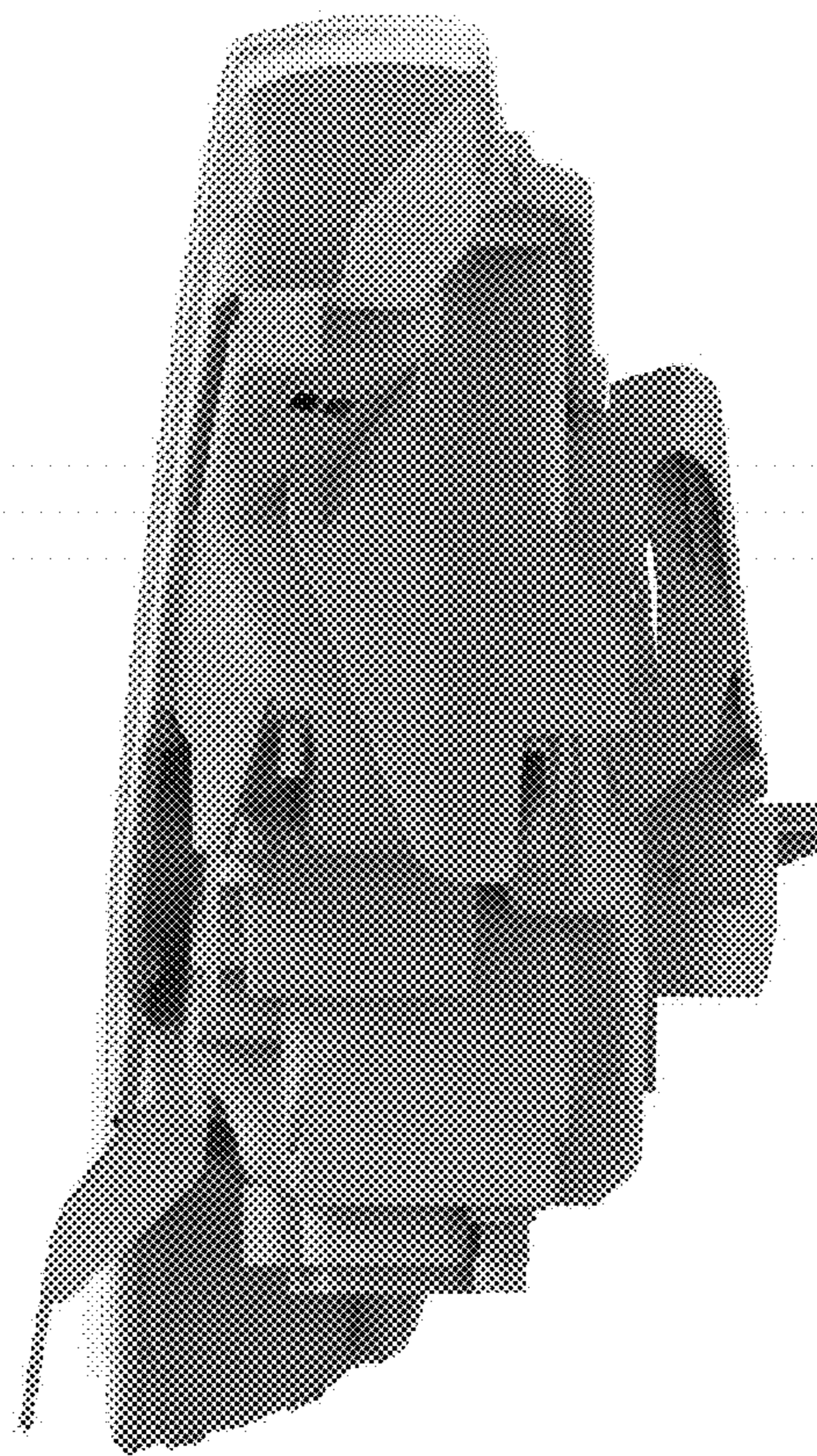


FIG.4

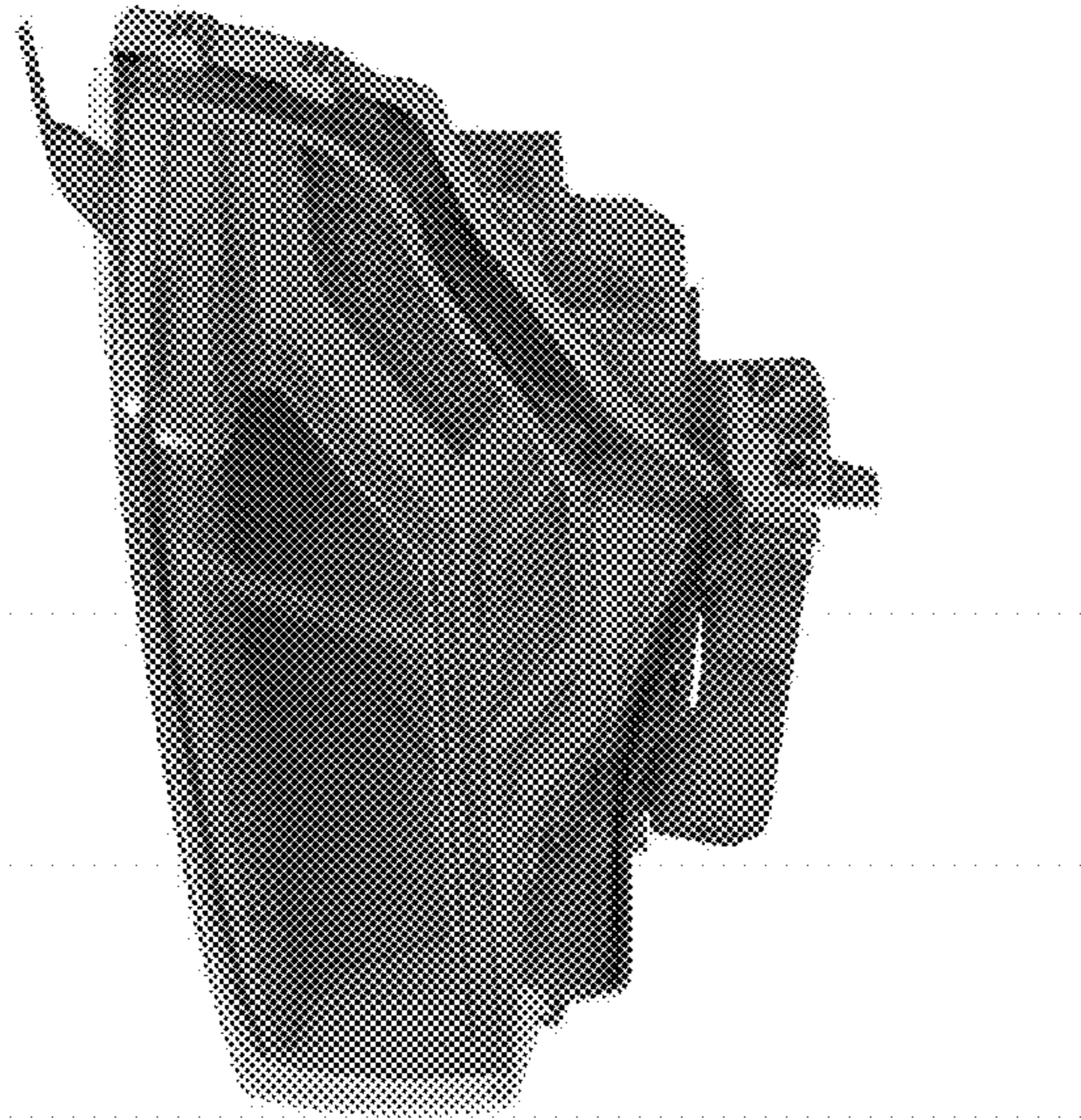


FIG. 5

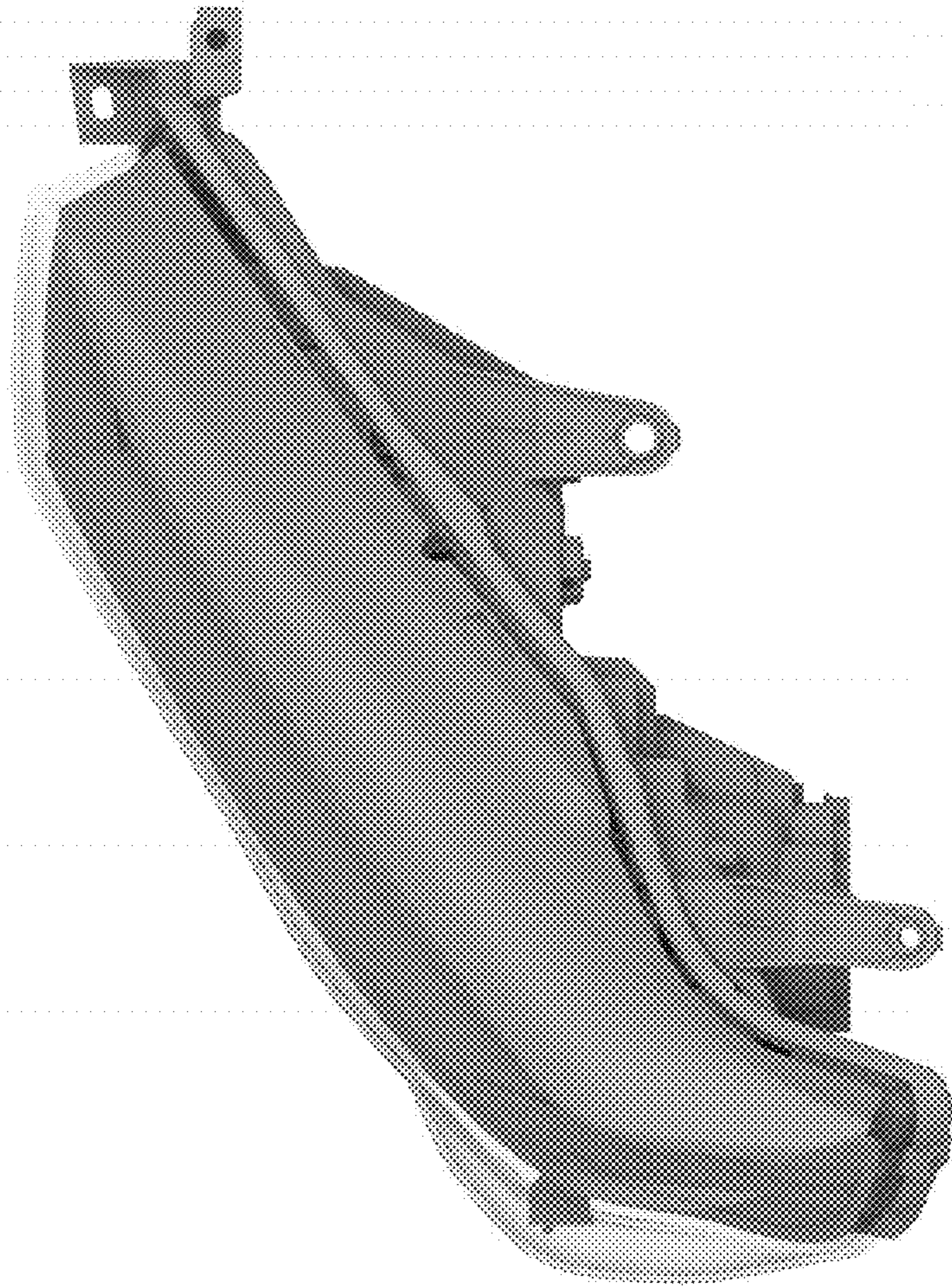


FIG.6

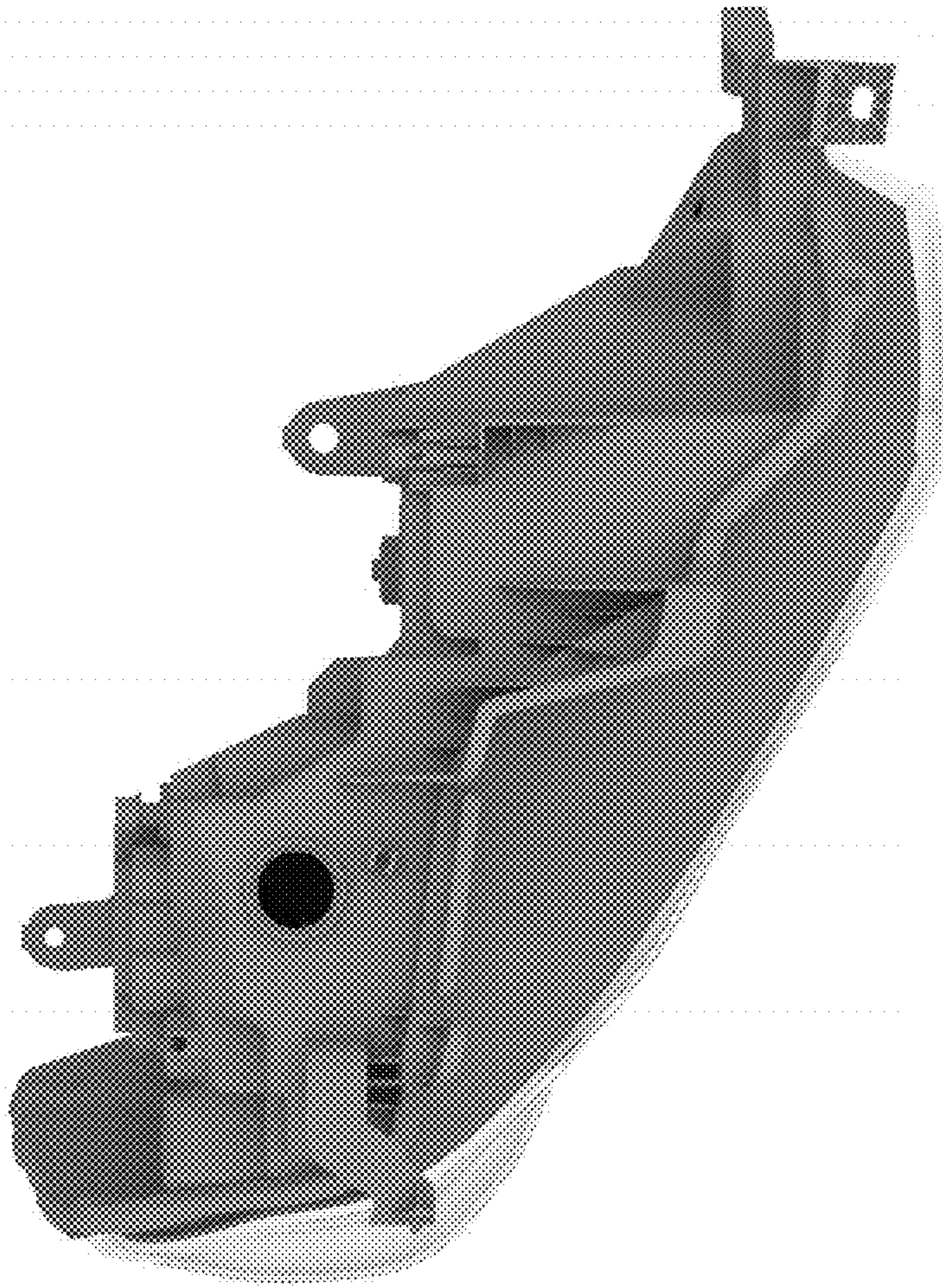


FIG. 7





FIG. 8

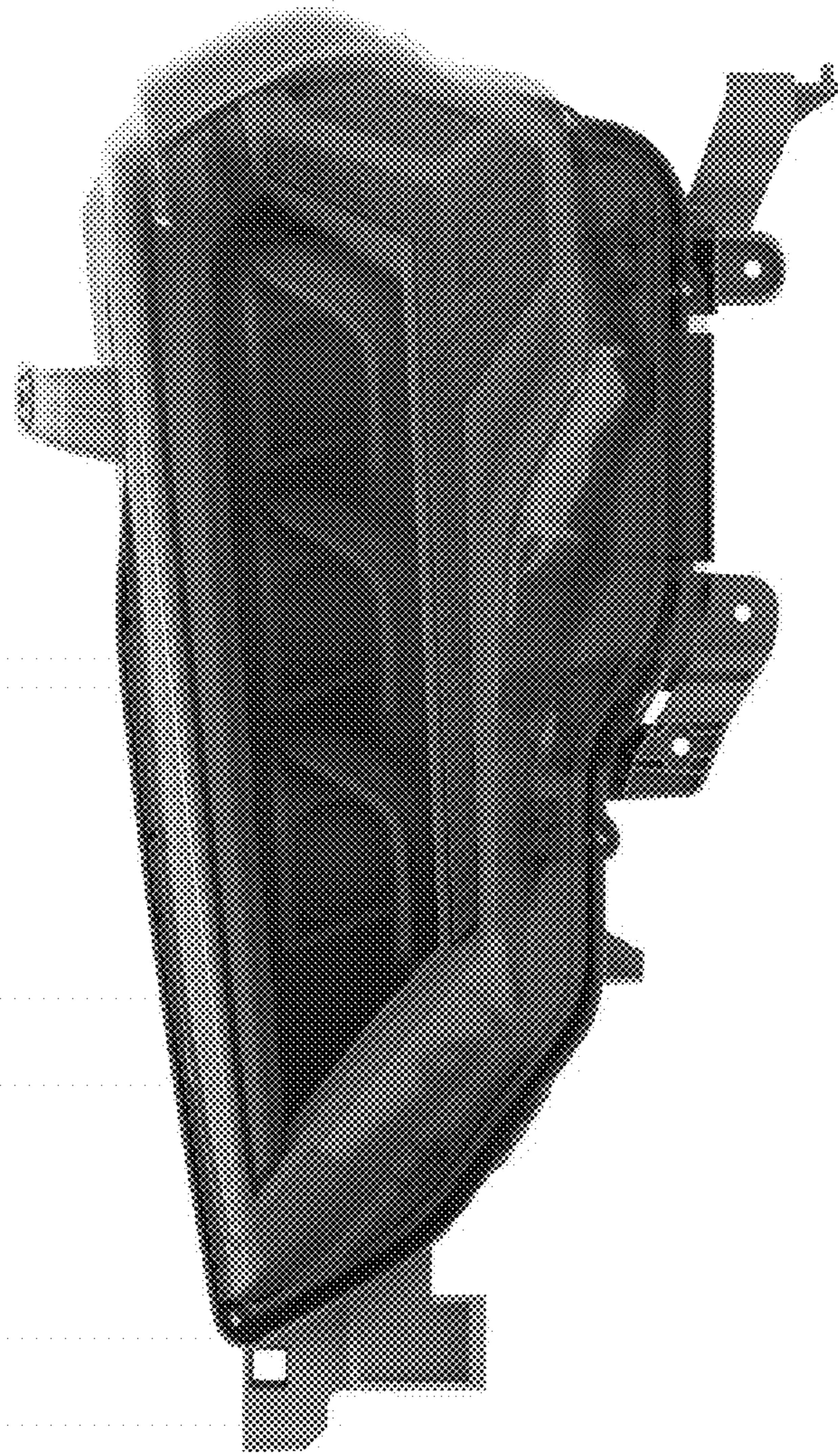


FIG. 9

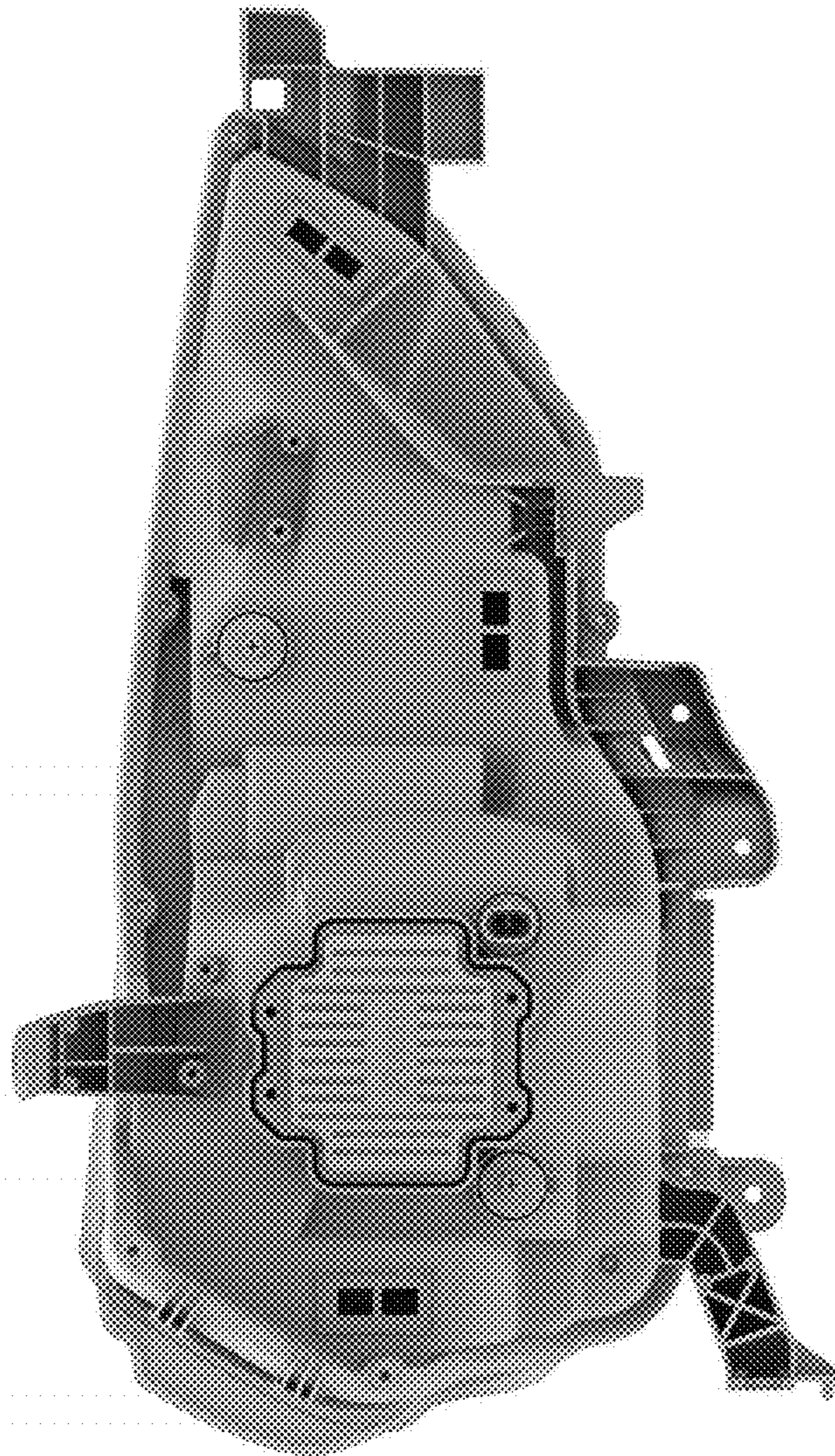


FIG.10

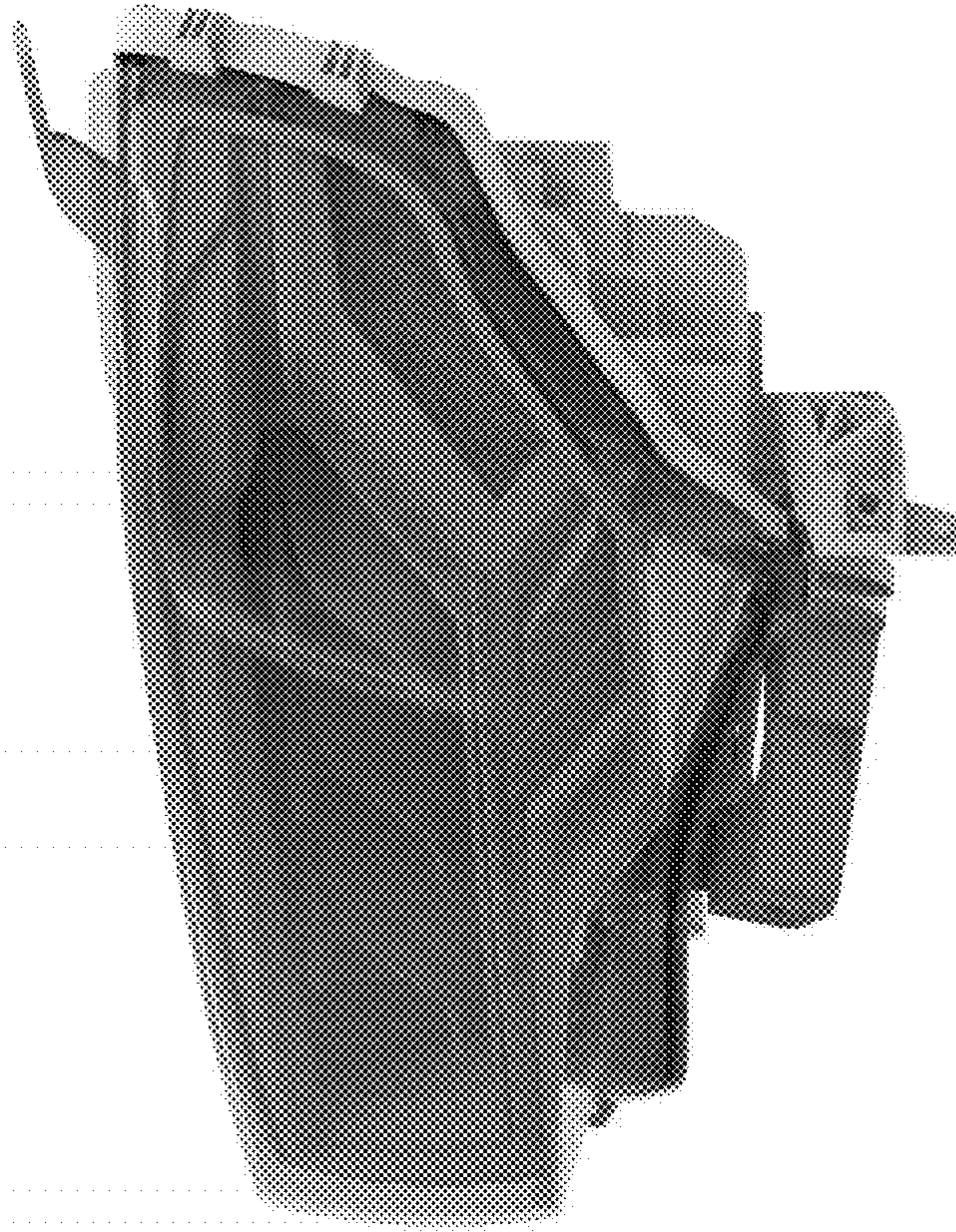


FIG.11

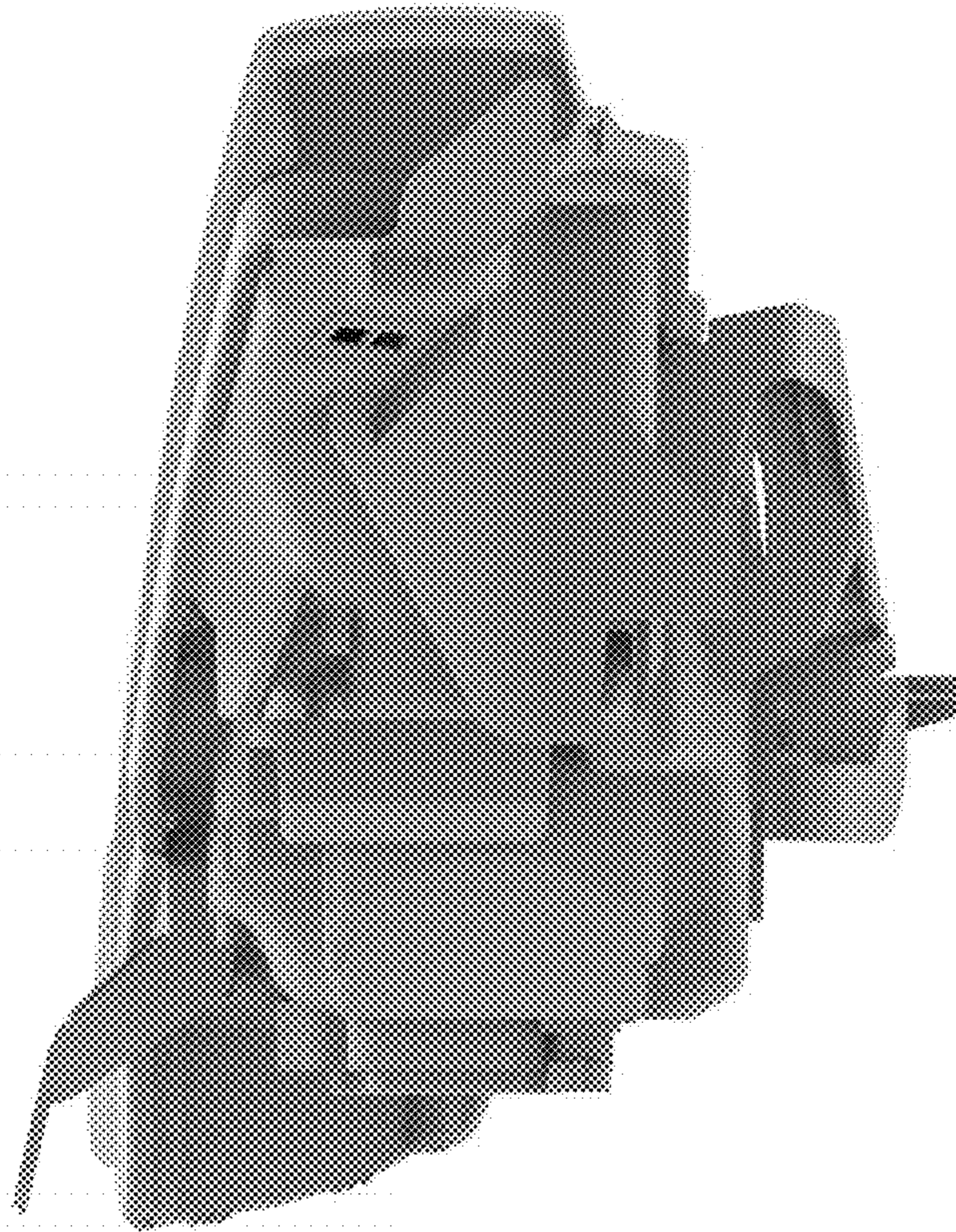


FIG.12

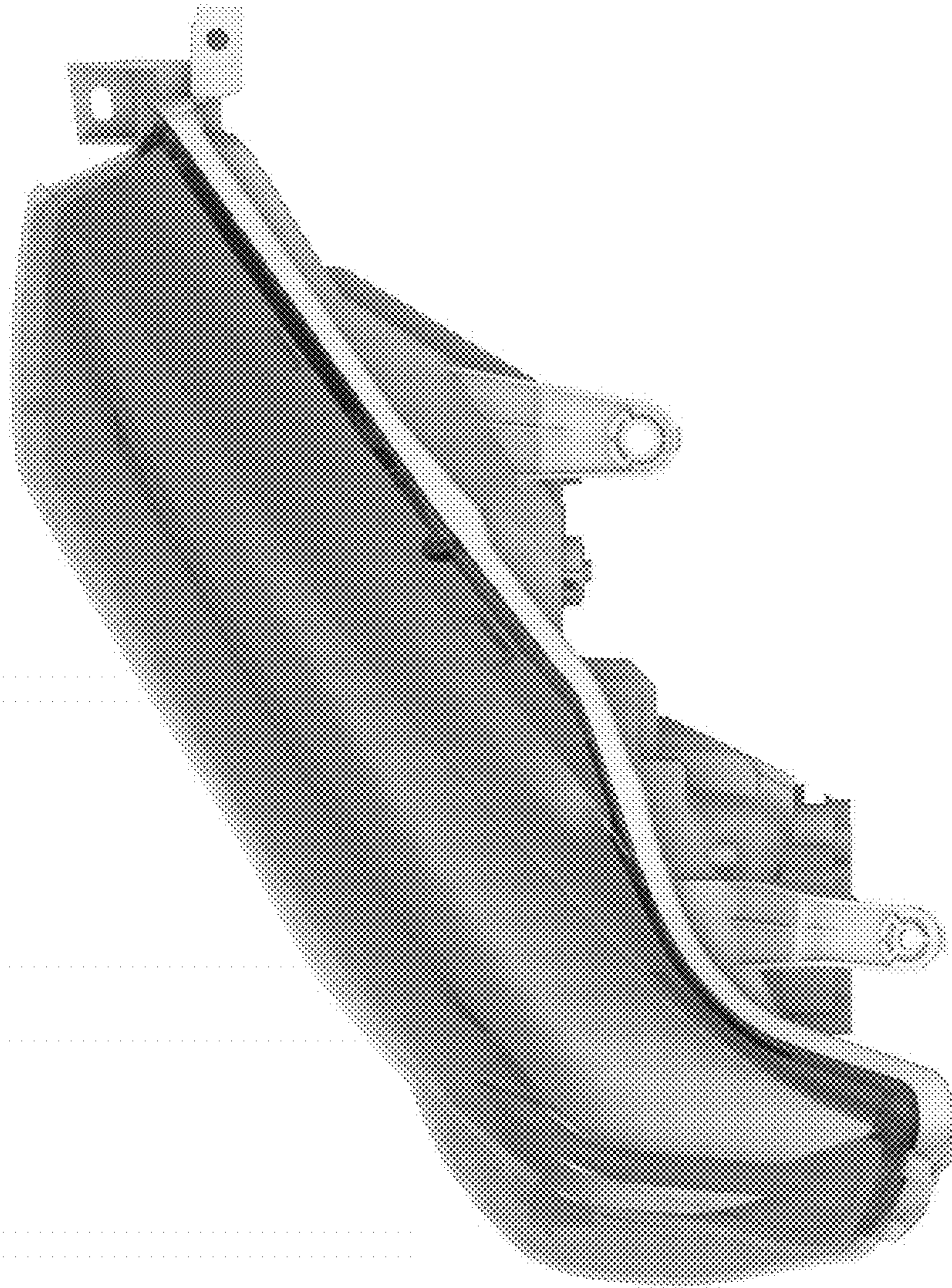


FIG.13

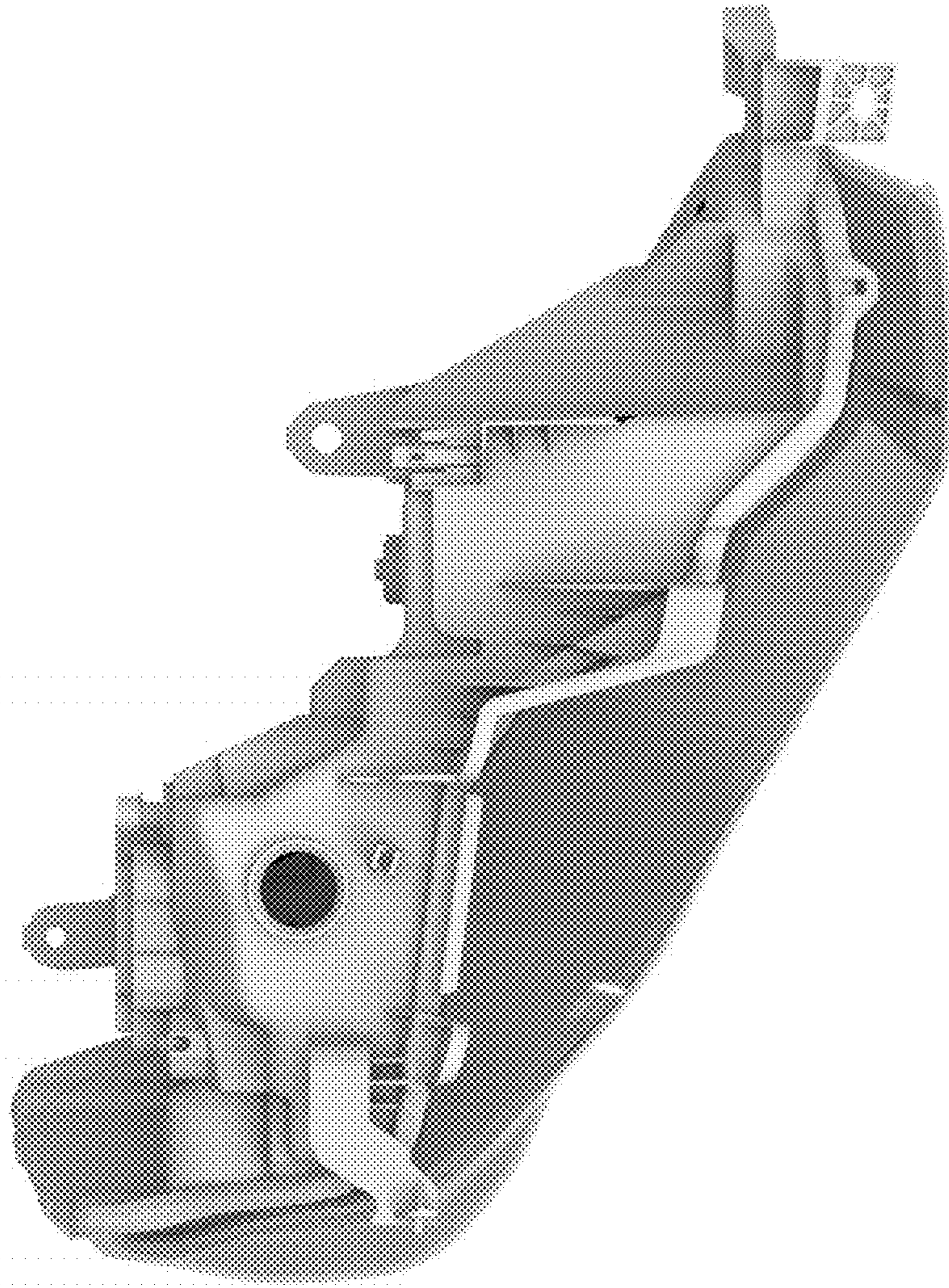


FIG.14