



US00D969366S

(12) **United States Design Patent**
Yang

(10) **Patent No.:** **US D969,366 S**

(45) **Date of Patent:** **** Nov. 8, 2022**

(54) **VEHICLE FOG LIGHT**

(71) Applicant: **Wenpan Yang**, Guangzhou (CN)

(72) Inventor: **Wenpan Yang**, Guangzhou (CN)

(**) Term: **15 Years**

(21) Appl. No.: **29/762,716**

(22) Filed: **Dec. 17, 2020**

(51) **LOC (13) Cl.** **26-06**

(52) **U.S. Cl.**
USPC **D26/28**

(58) **Field of Classification Search**
USPC D26/28-36, 139
CPC F21S 48/00; F21S 48/10; F21S 48/115;
F21S 48/225; F21S 48/1233; F21S
48/1266; F21S 48/1388; F21S 48/2268;
F21V 5/00; F21V 21/04; F21V 29/004;
B60Q 9/13; B60Q 9/135; B60Q 9/1375;
F21W 2102/17; F21W 2103/00; F21W
2103/35; F21W 2103/55; F21W 2107/13;
F21W 2107/17

See application file for complete search history.

(56) **References Cited**

U.S. PATENT DOCUMENTS

D626,668 S * 11/2010 Grebert D26/28
D639,468 S * 6/2011 Huang D26/28

D690,853 S * 10/2013 Huang D26/28
D823,500 S * 7/2018 Liao D26/28
D824,055 S * 7/2018 Chi D26/28
D864,444 S * 10/2019 Lin D26/28
D869,704 S * 12/2019 Wu D26/28
D869,705 S * 12/2019 Wu D26/28

* cited by examiner

Primary Examiner — Marcus A Jackson

(74) *Attorney, Agent, or Firm* — Che-Yang Chen; Law
Office of Michael Chen

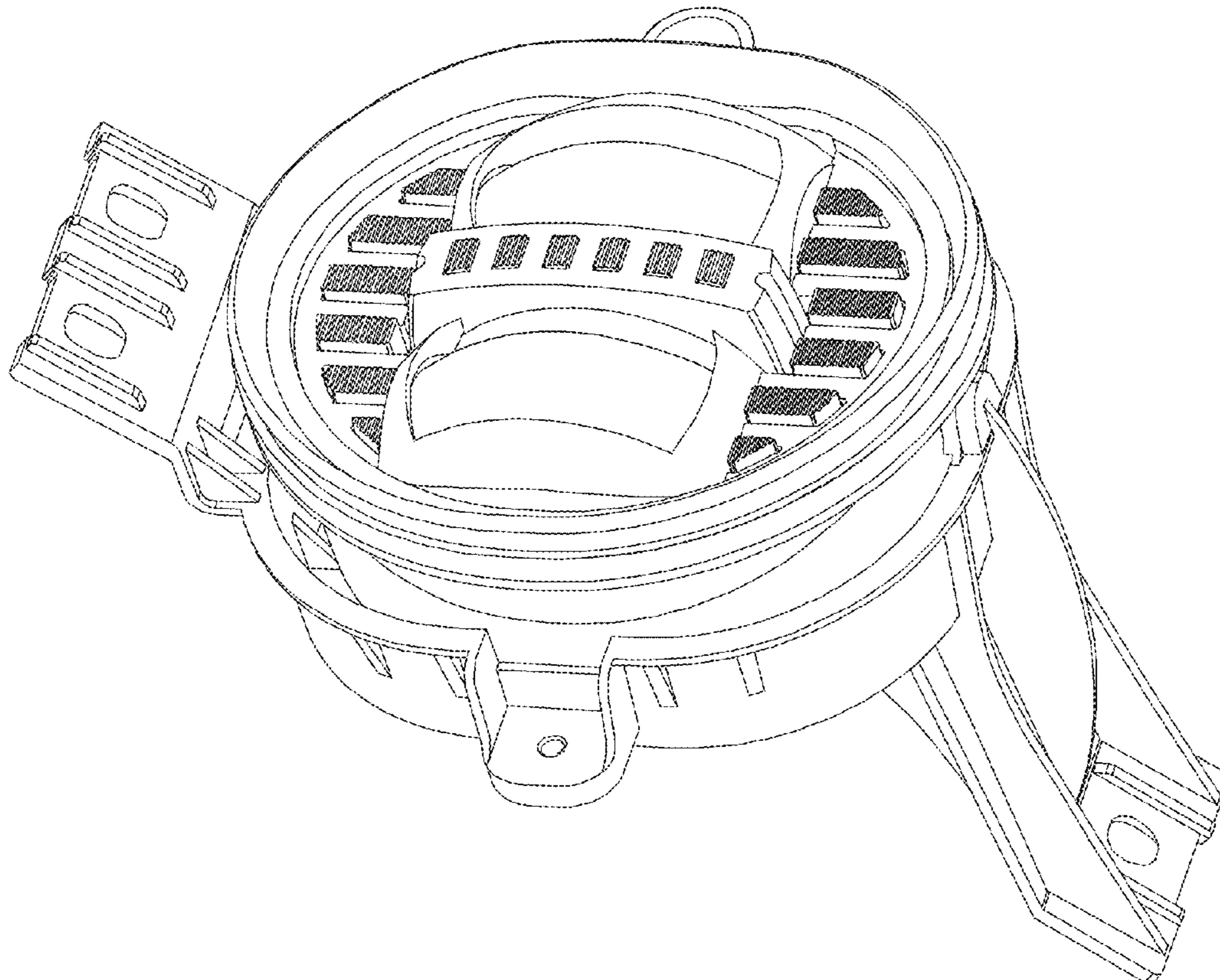
(57) **CLAIM**

The ornamental design for a vehicle fog light, as shown and described.

DESCRIPTION

FIG. 1 is a perspective view of the vehicle fog light showing my new design;
FIG. 2 is a front elevational view thereof;
FIG. 3 is a rear elevational view thereof;
FIG. 4 is a top plan view thereof;
FIG. 5 is a bottom plan view thereof;
FIG. 6 is a left side elevational view thereof; and,
FIG. 7 is a right side elevational view thereof.

1 Claim, 7 Drawing Sheets



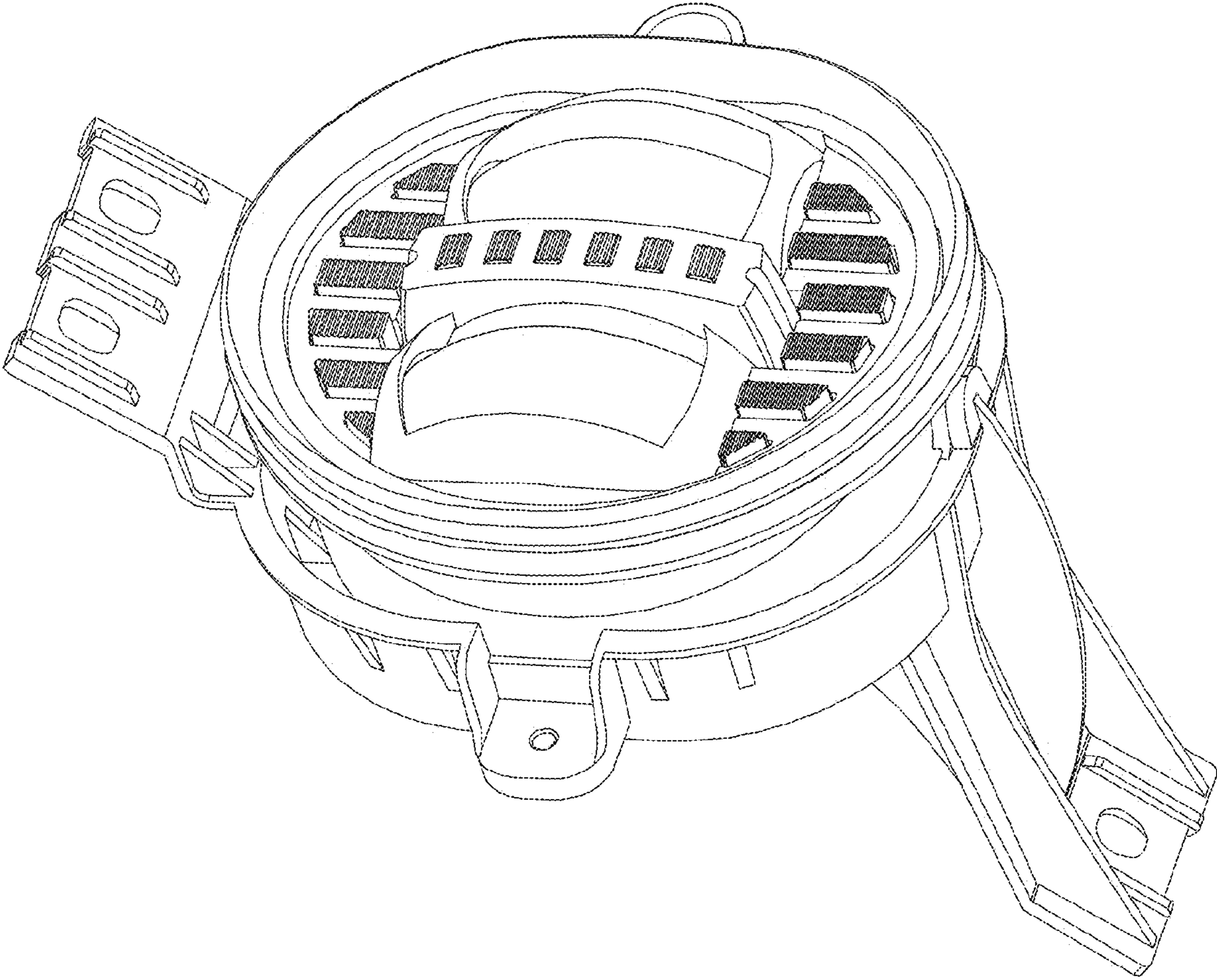


FIG. 1

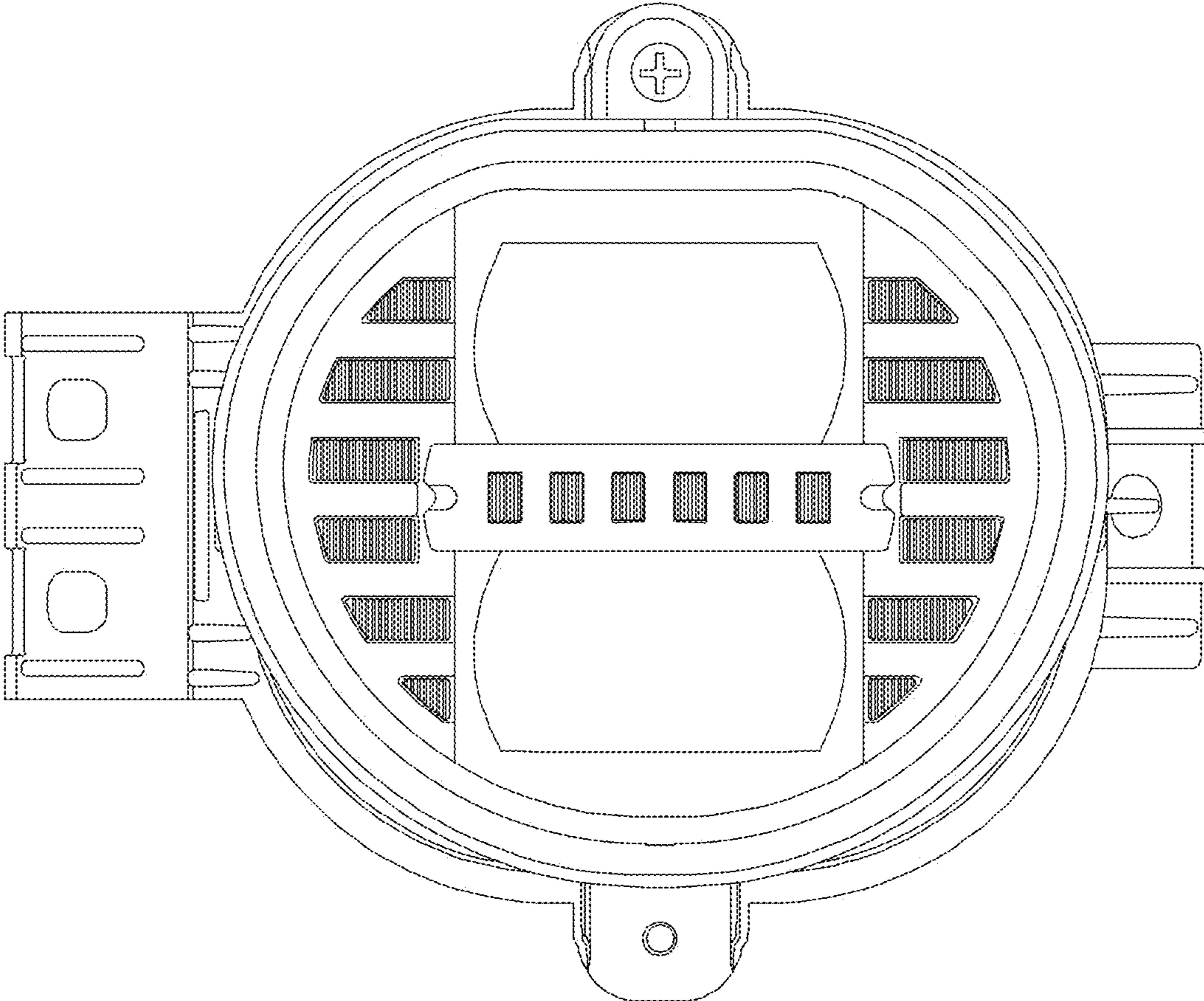


FIG. 2

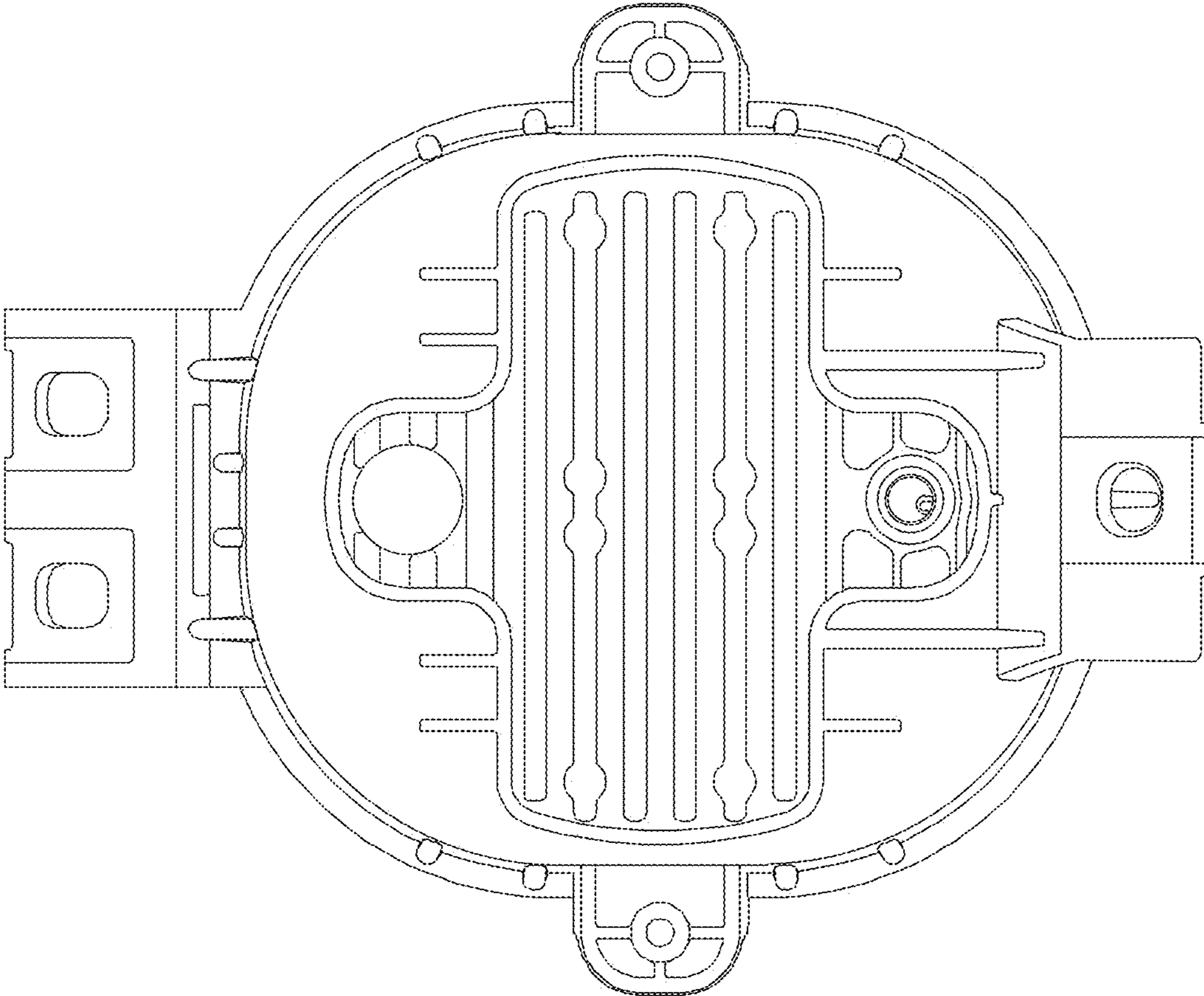


FIG. 3

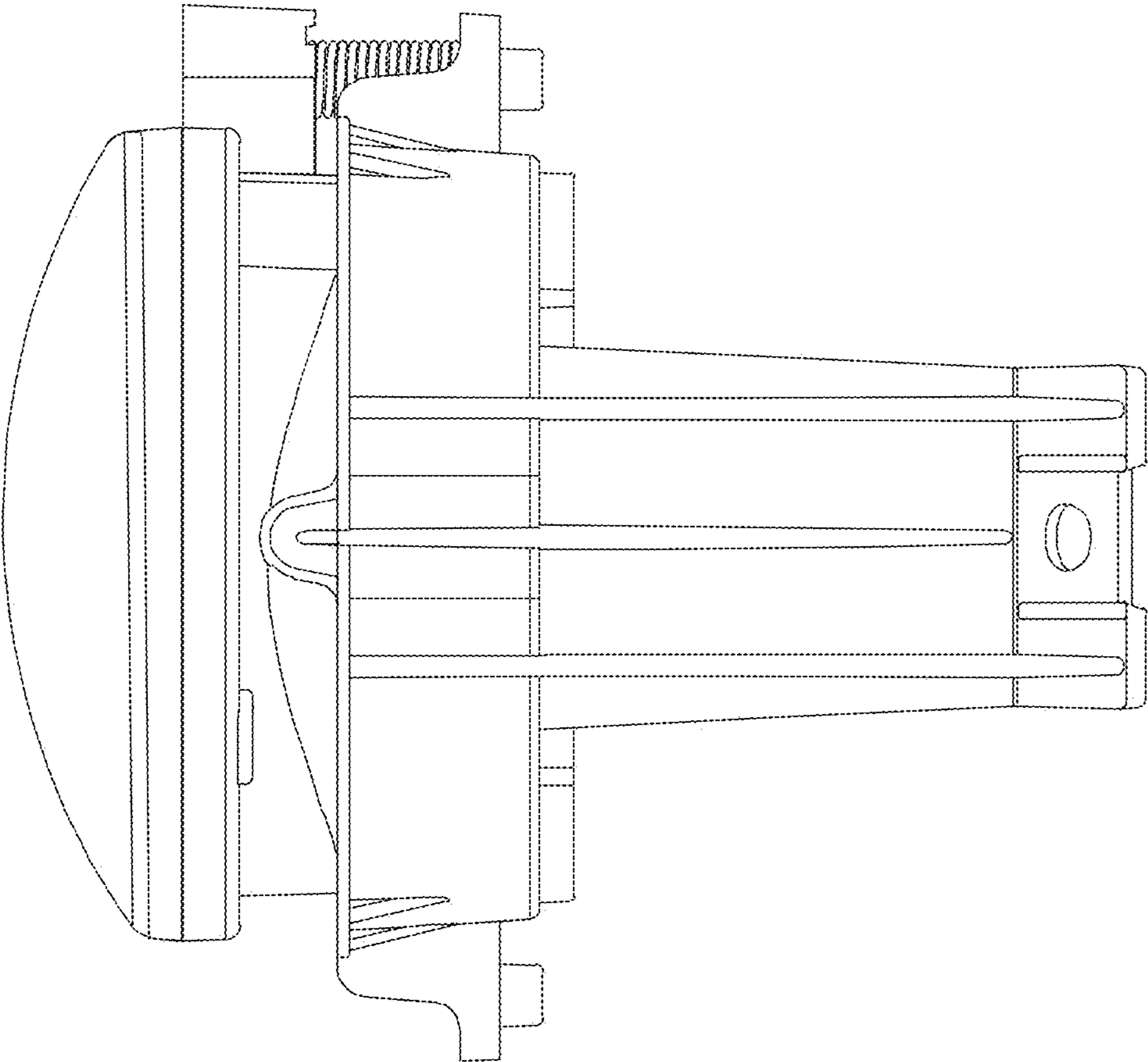


FIG. 4

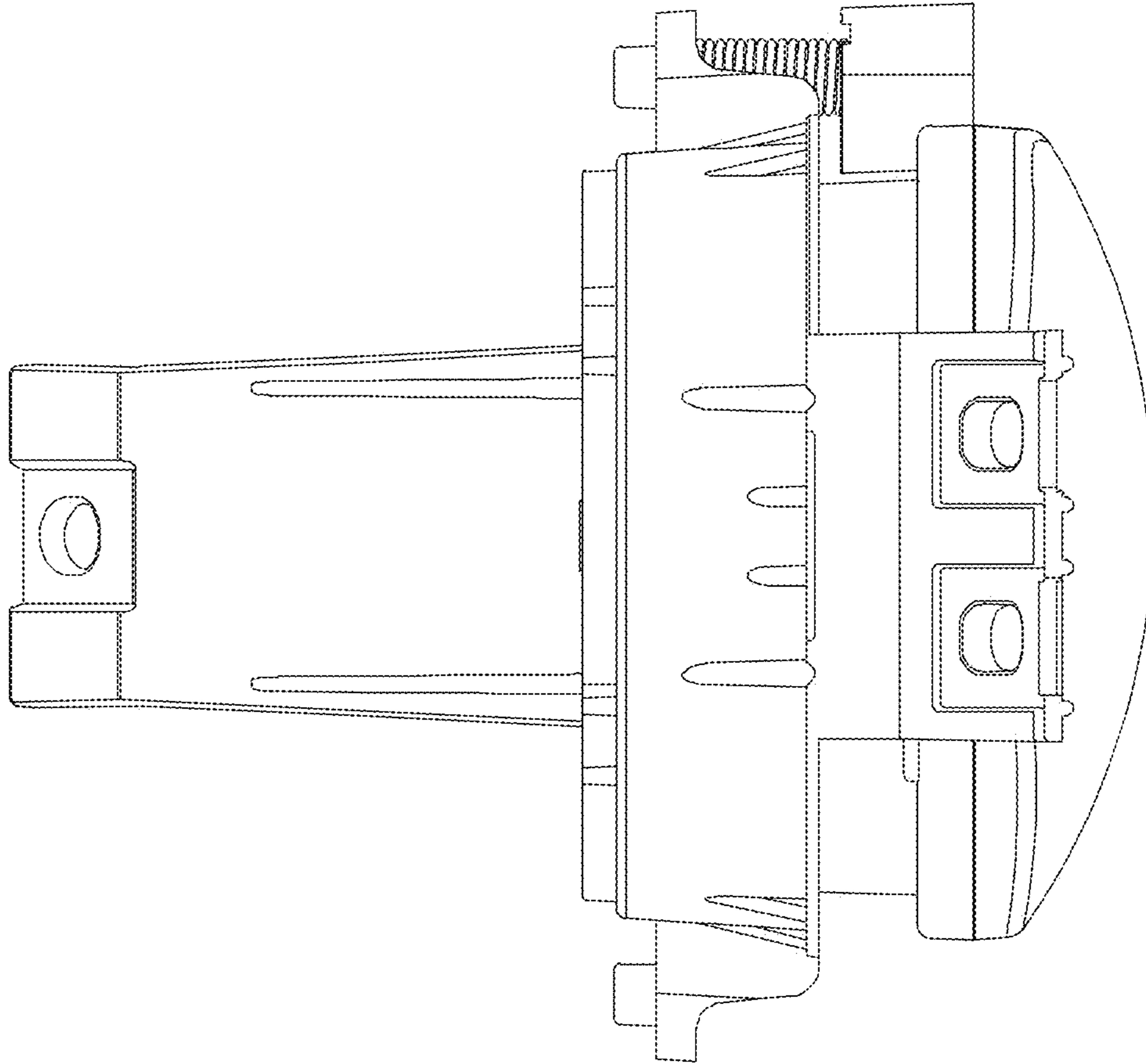


FIG. 5

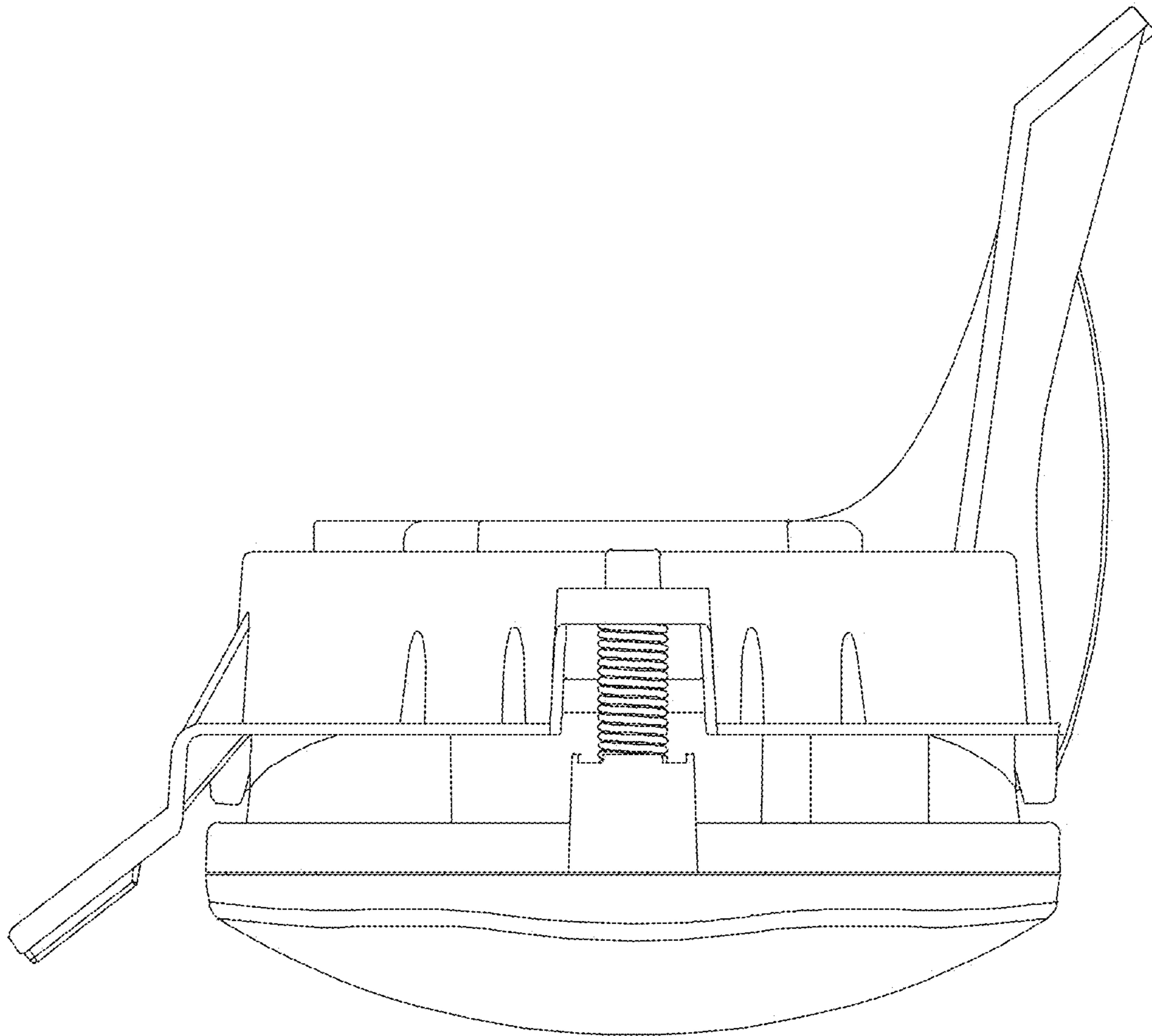


FIG. 6

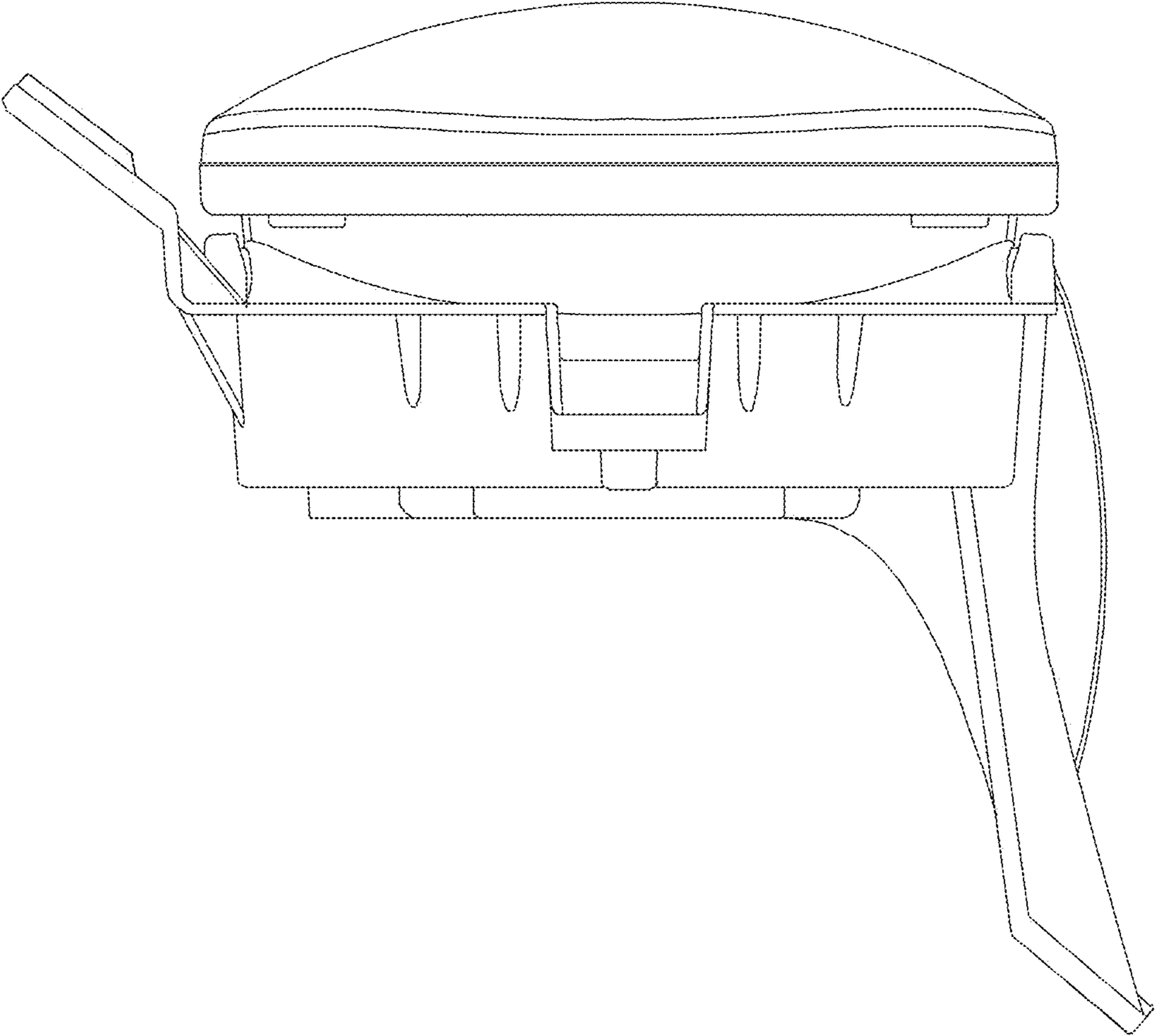


FIG. 7