



US00D969363S

(12) **United States Design Patent**
Cheng

(10) **Patent No.:** **US D969,363 S**

(45) **Date of Patent:** **** Nov. 8, 2022**

(54) **BIKE LIGHT**

(71) Applicant: **MOON SPORT LTD.**, Hong Kong (CN)

(72) Inventor: **Wui Pan Cheng**, Hong Kong (CN)

(73) Assignee: **MOON SPORT LTD.**, Hong Kong (CN)

(**) Term: **15 Years**

(21) Appl. No.: **29/711,063**

(22) Filed: **Oct. 28, 2019**

(30) **Foreign Application Priority Data**

Oct. 23, 2019 (HK) 1914860.0

(51) **LOC (13) Cl.** **26-06**

(52) **U.S. Cl.**
USPC **D26/28**

(58) **Field of Classification Search**

USPC D26/28-36, 60, 139

CPC F21S 48/00; F21S 48/10; F21S 48/115;

F21S 48/225; F21S 48/1233; F21S

48/1266; F21S 48/1388; F21S 48/2268;

F21V 5/00; F21V 21/04; F21V 29/004;

B60Q 9/13; B60Q 9/135; B60Q 9/1375

See application file for complete search history.

(56) **References Cited**

U.S. PATENT DOCUMENTS

D498,550 S * 11/2004 Chen D26/28

D535,766 S * 1/2007 Lee D26/28

D667,581 S * 9/2012 Lee D26/60

D678,562 S * 3/2013 Chan D26/60

D751,739 S * 3/2016 Hamasaki D26/28

D846,167 S * 4/2019 Tang D26/60

D891,665 S * 7/2020 Nagano D26/60

* cited by examiner

Primary Examiner — Marcus A Jackson

(57) **CLAIM**

The ornamental design for a bike light, as shown and described.

DESCRIPTION

FIG. 1 is a perspective view of a bike light showing my new design;

FIG. 2 is another perspective view thereof;

FIG. 3 is a front elevational view thereof;

FIG. 4 is a rear elevational view thereof;

FIG. 5 is a left side elevational view thereof;

FIG. 6 is a right side elevational view thereof;

FIG. 7 is a top plan view thereof;

FIG. 8 is a bottom plan view thereof;

FIG. 9 is an enlarged view of portion 9 shown in FIG. 1;

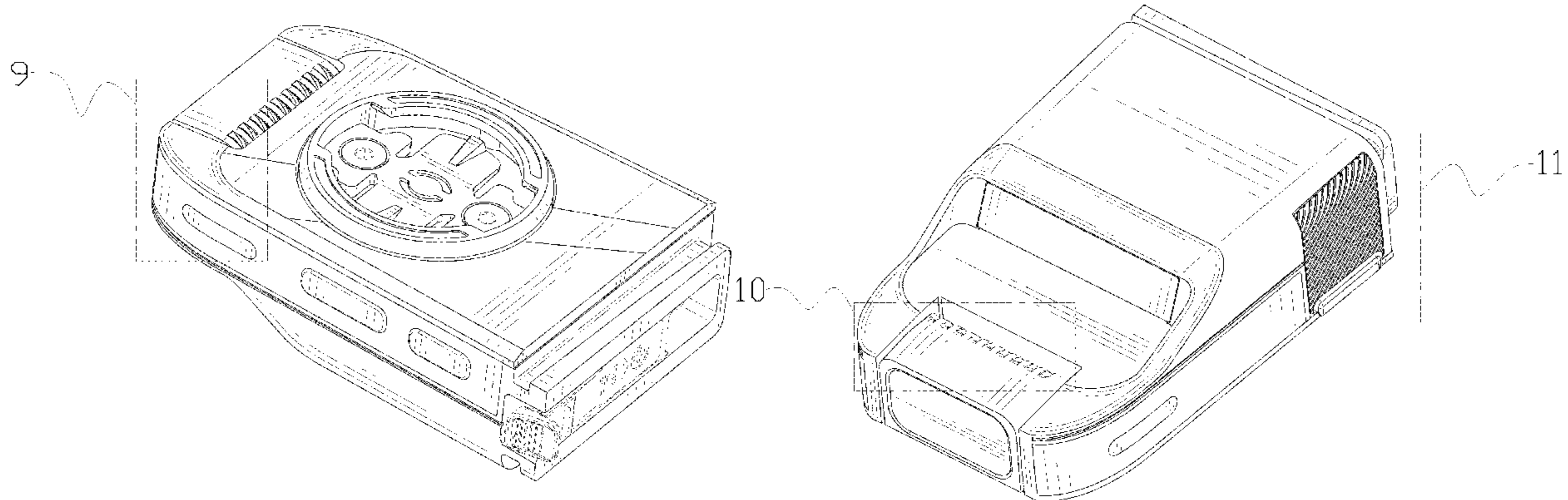
FIG. 10 is an enlarged view of portion 10 shown in FIG. 2;

and,

FIG. 11 is an enlarged view of portion 11 shown in FIG. 2.

The broken lines in the drawings depict portions of the bike light that form no part of the claimed design.

1 Claim, 11 Drawing Sheets



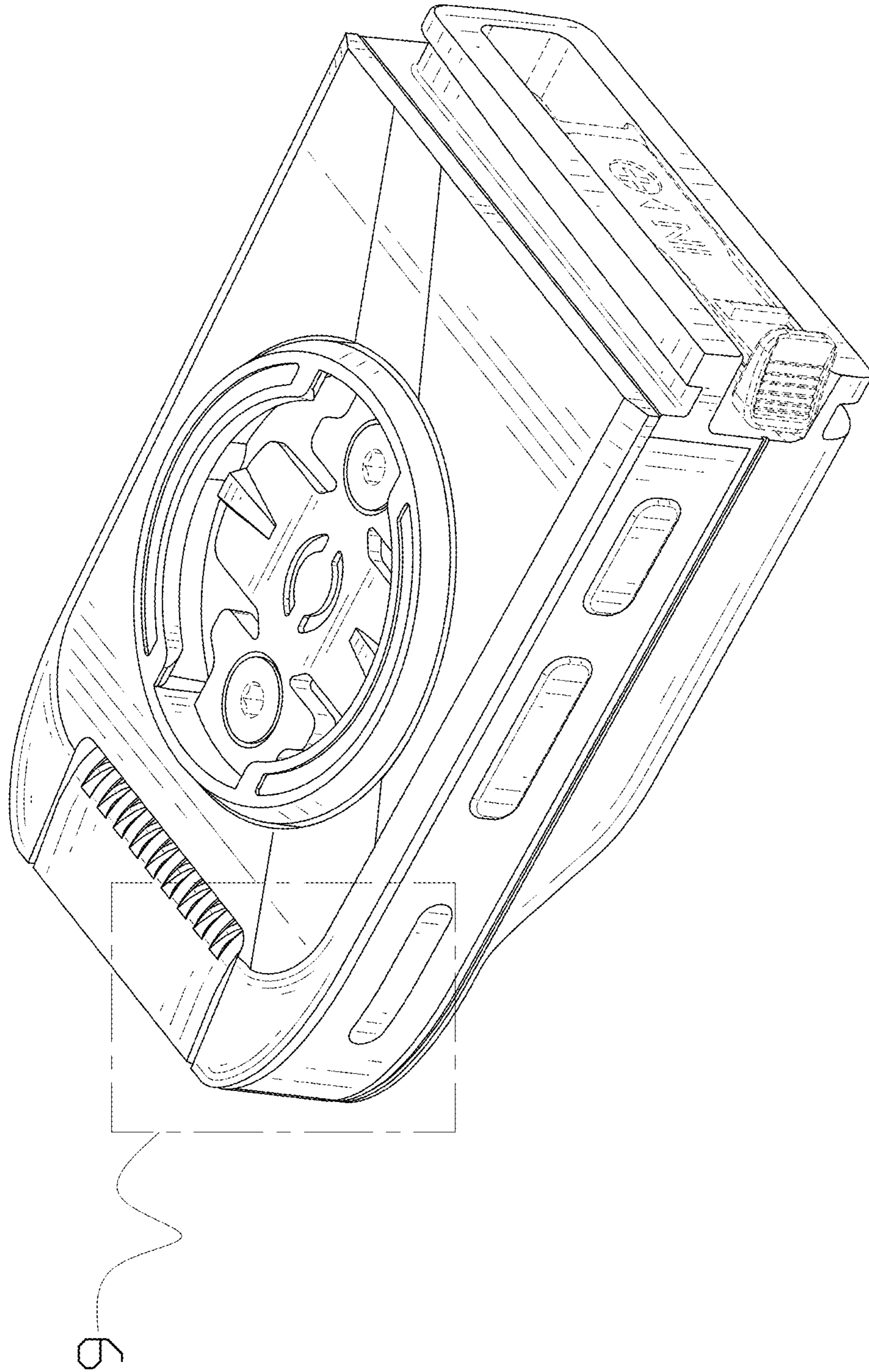


FIG. 1

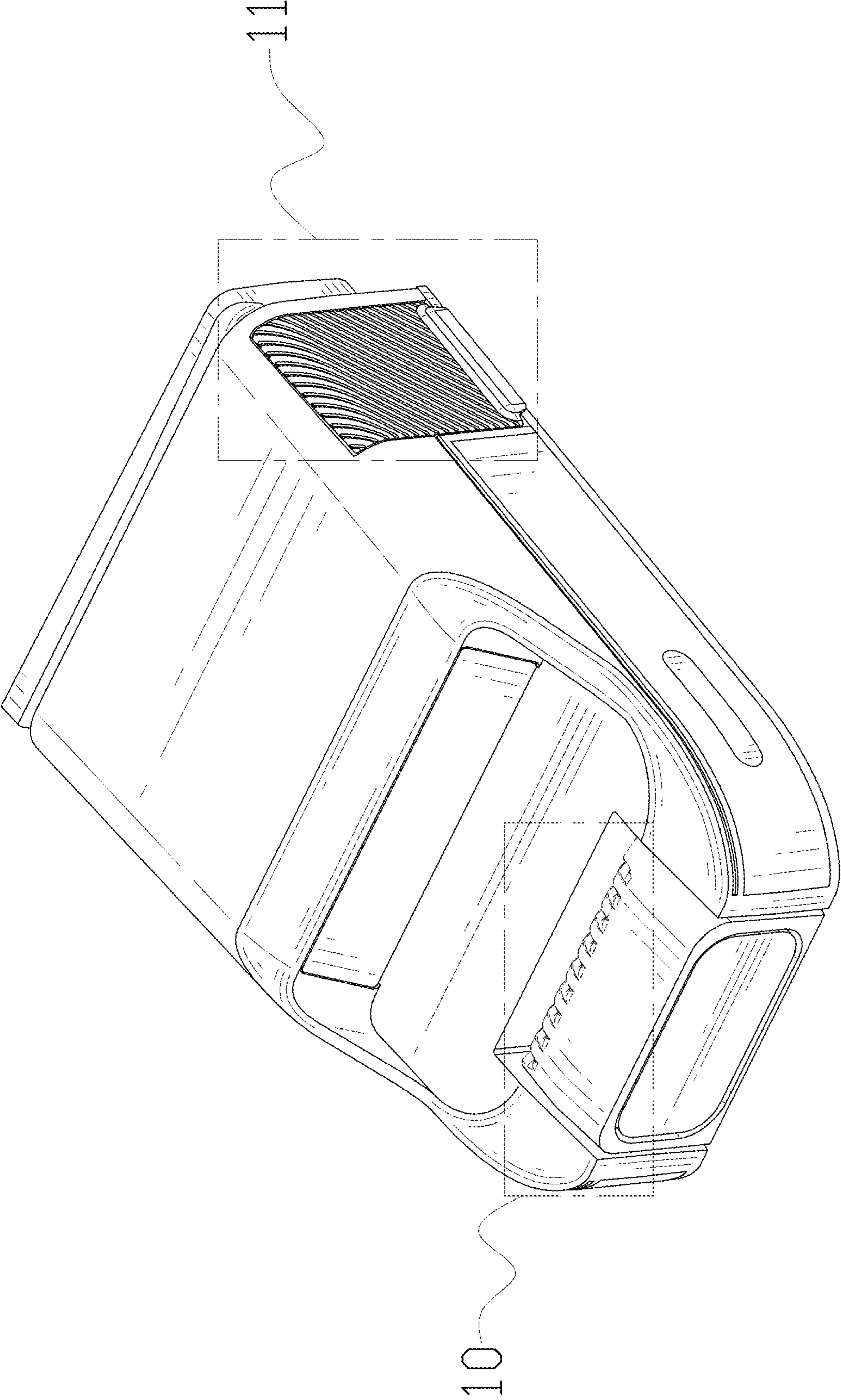


FIG. 2

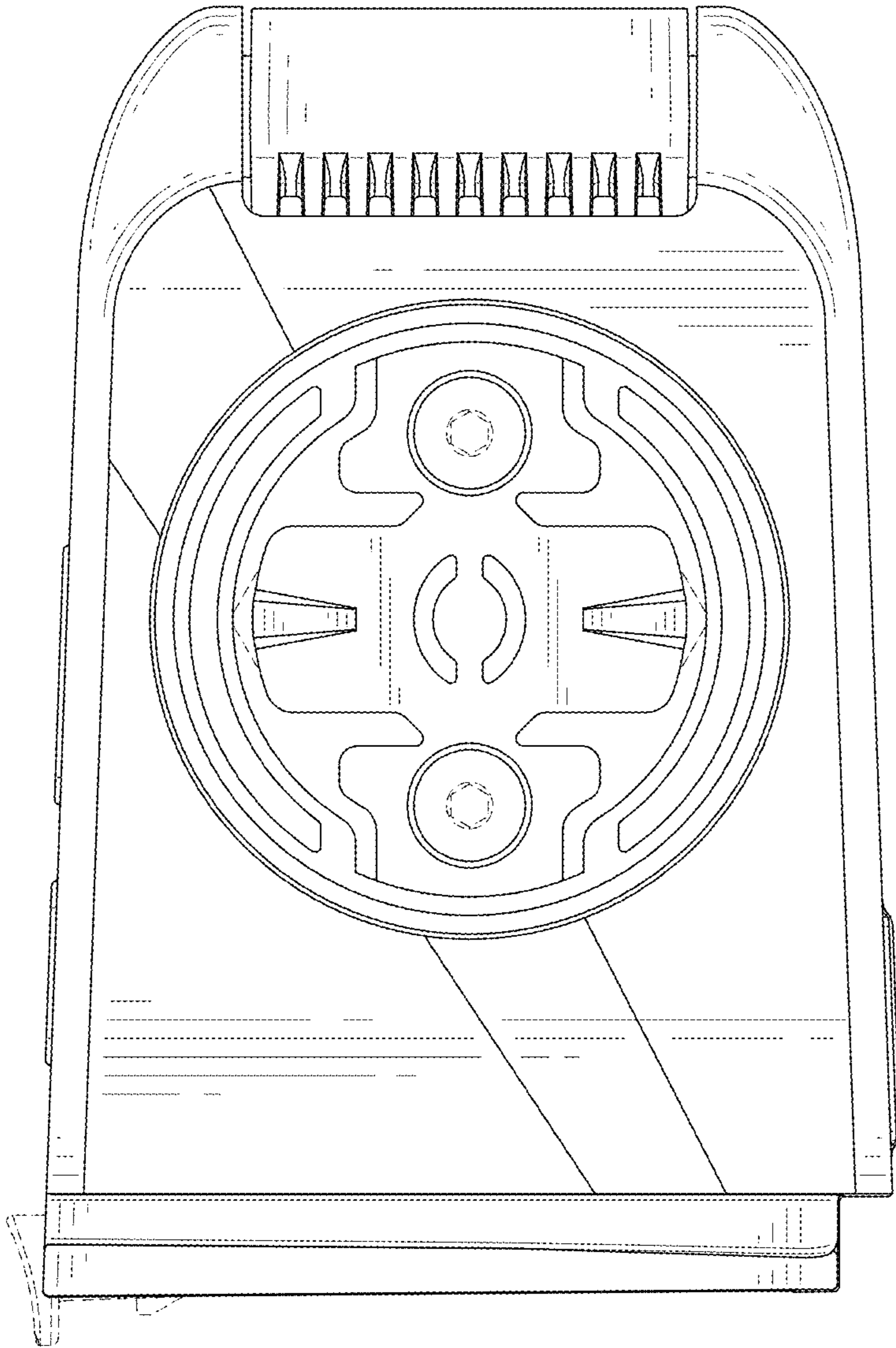


FIG. 3

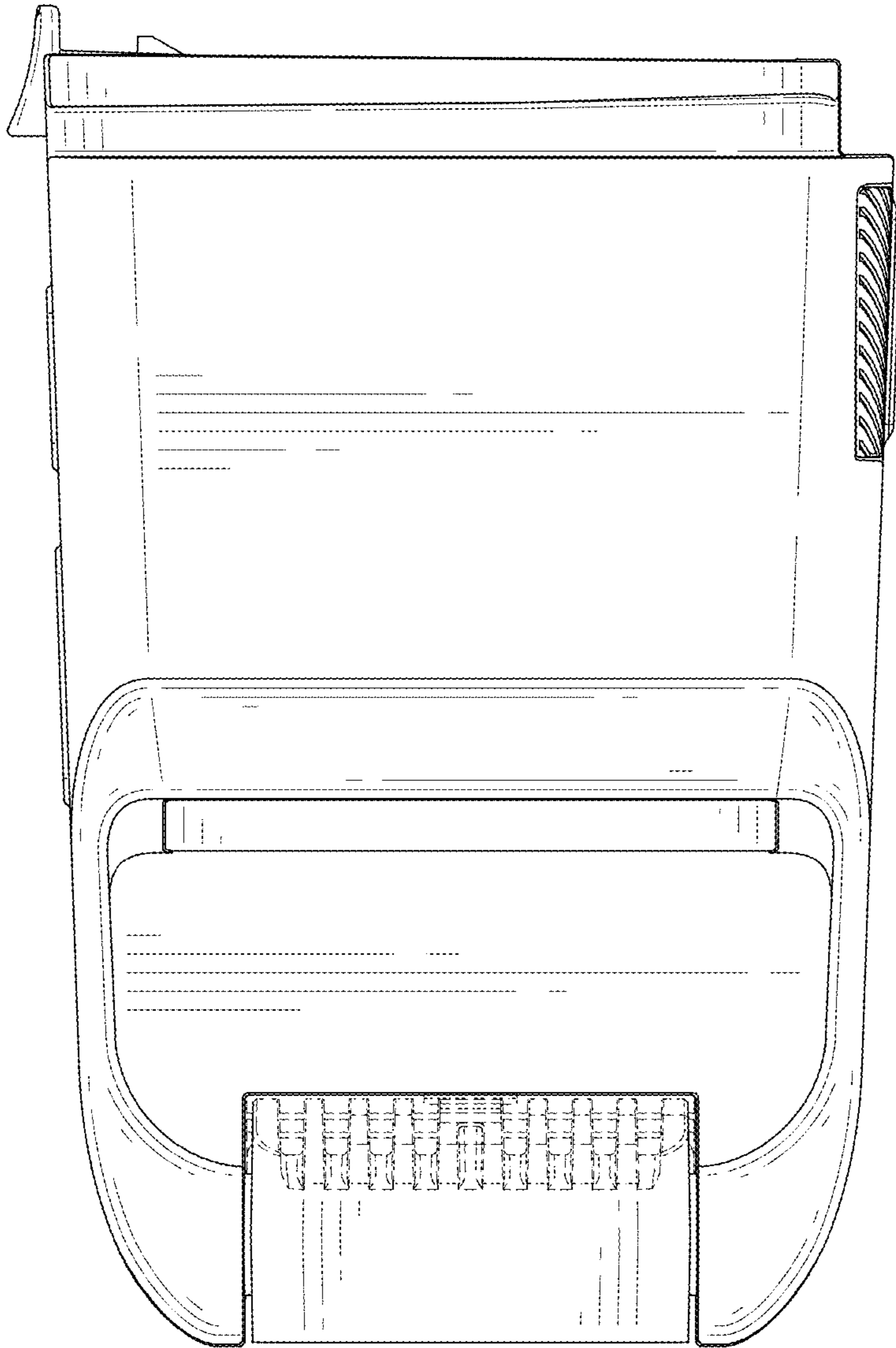


FIG. 4

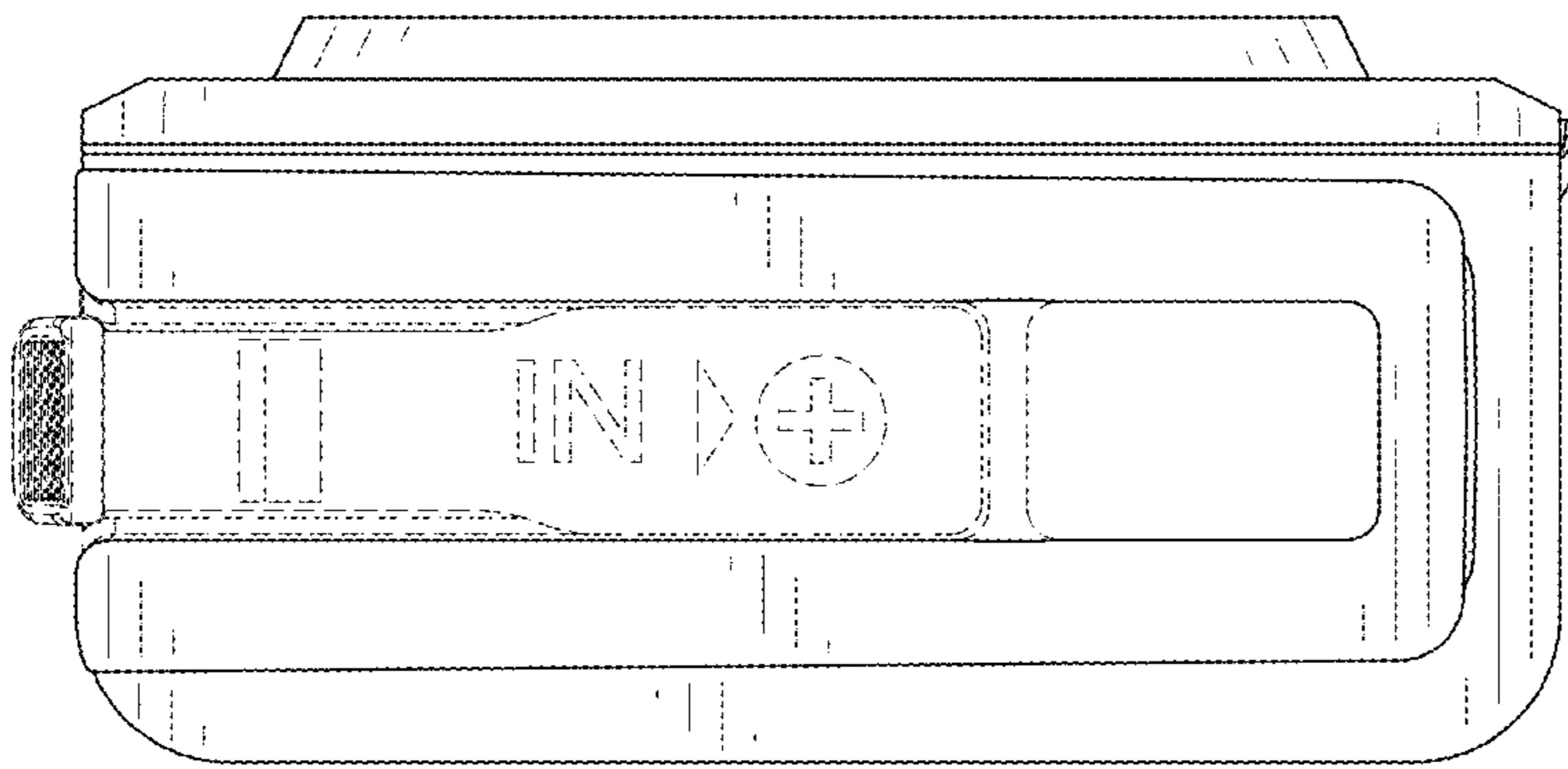


FIG. 5

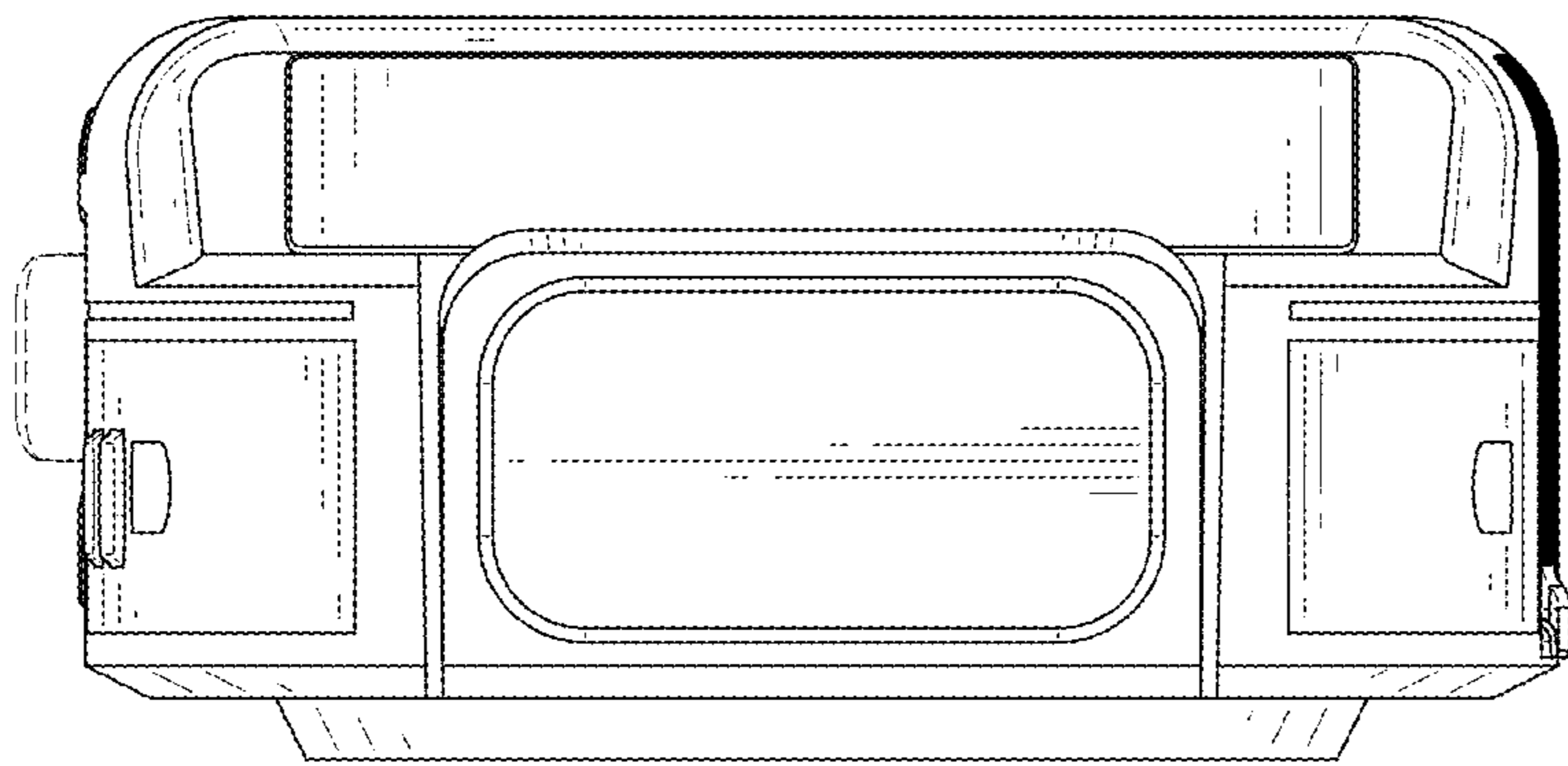


FIG. 6

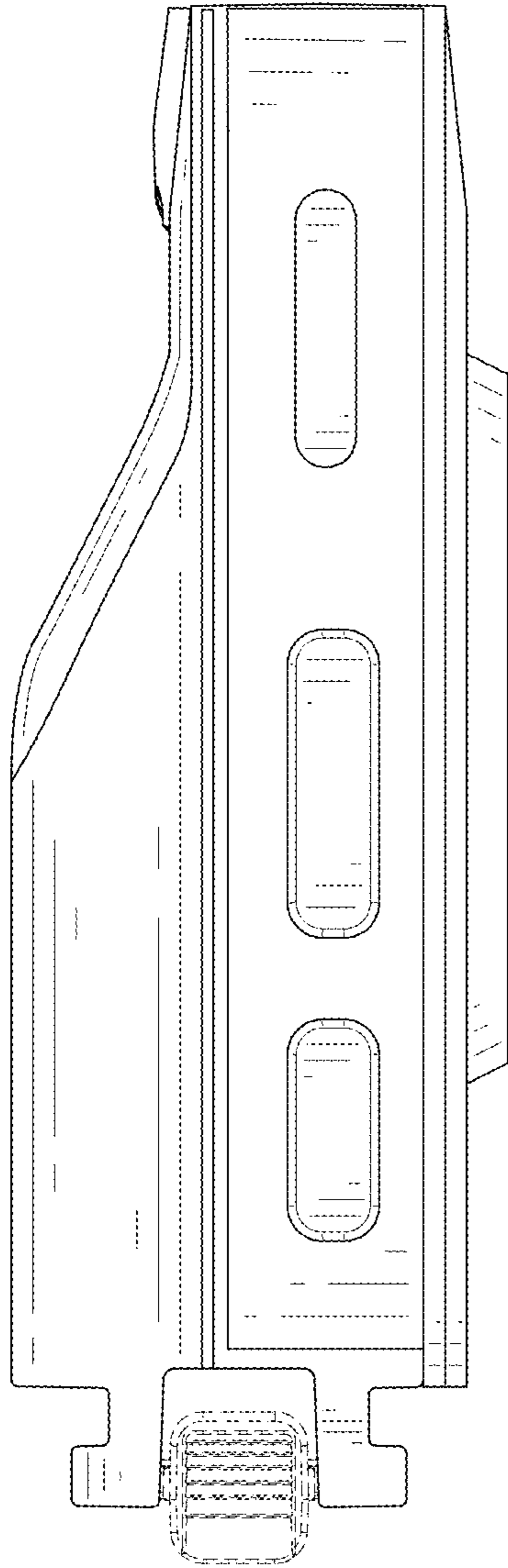


FIG. 7

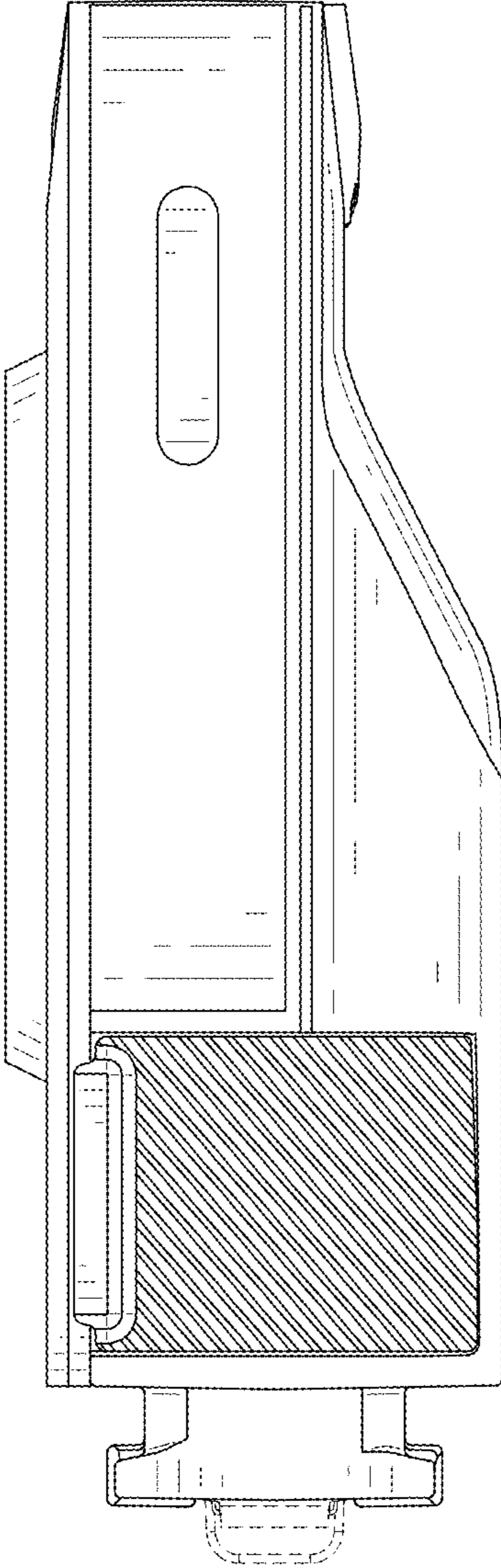


FIG. 8

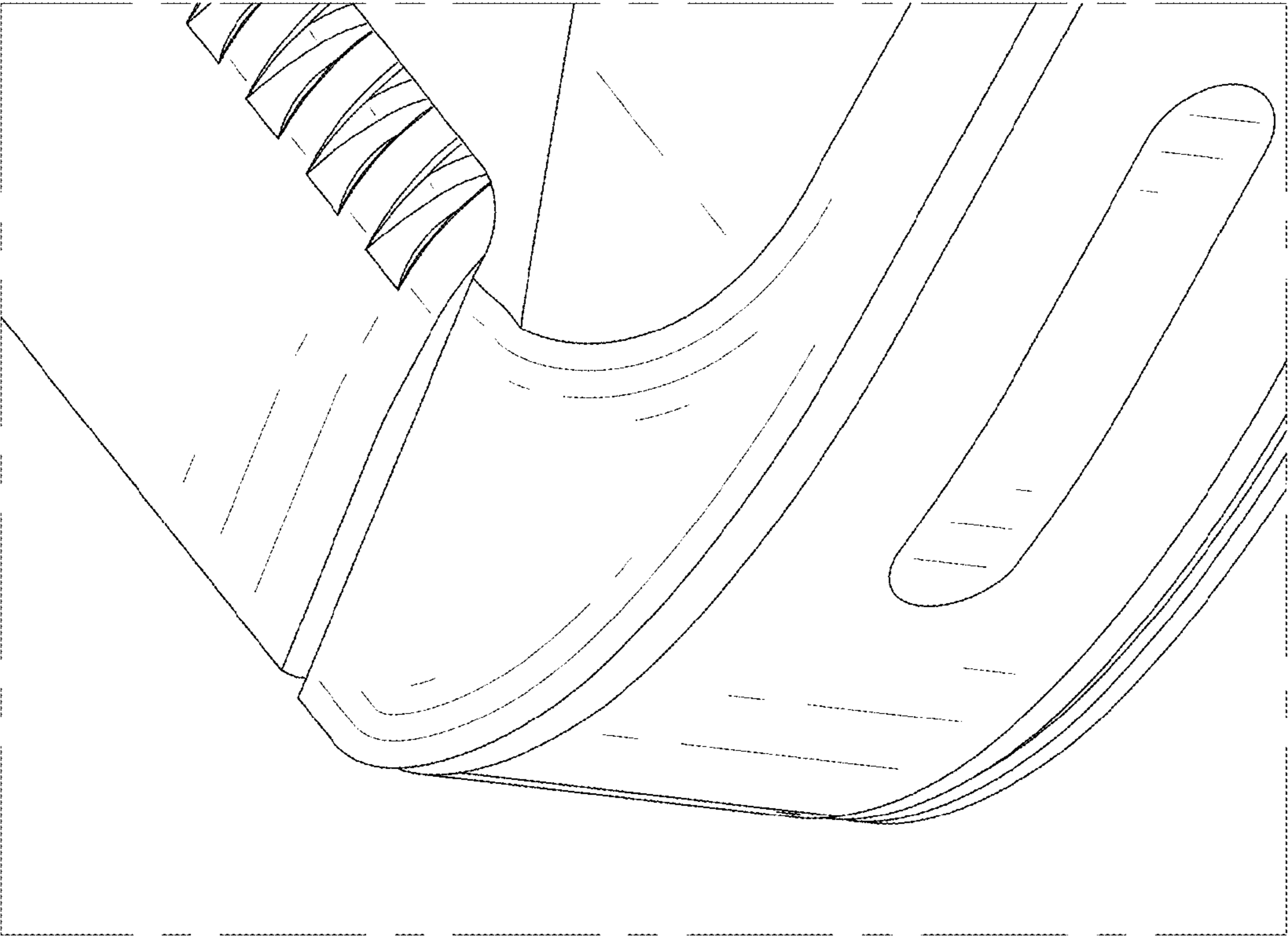


FIG. 9

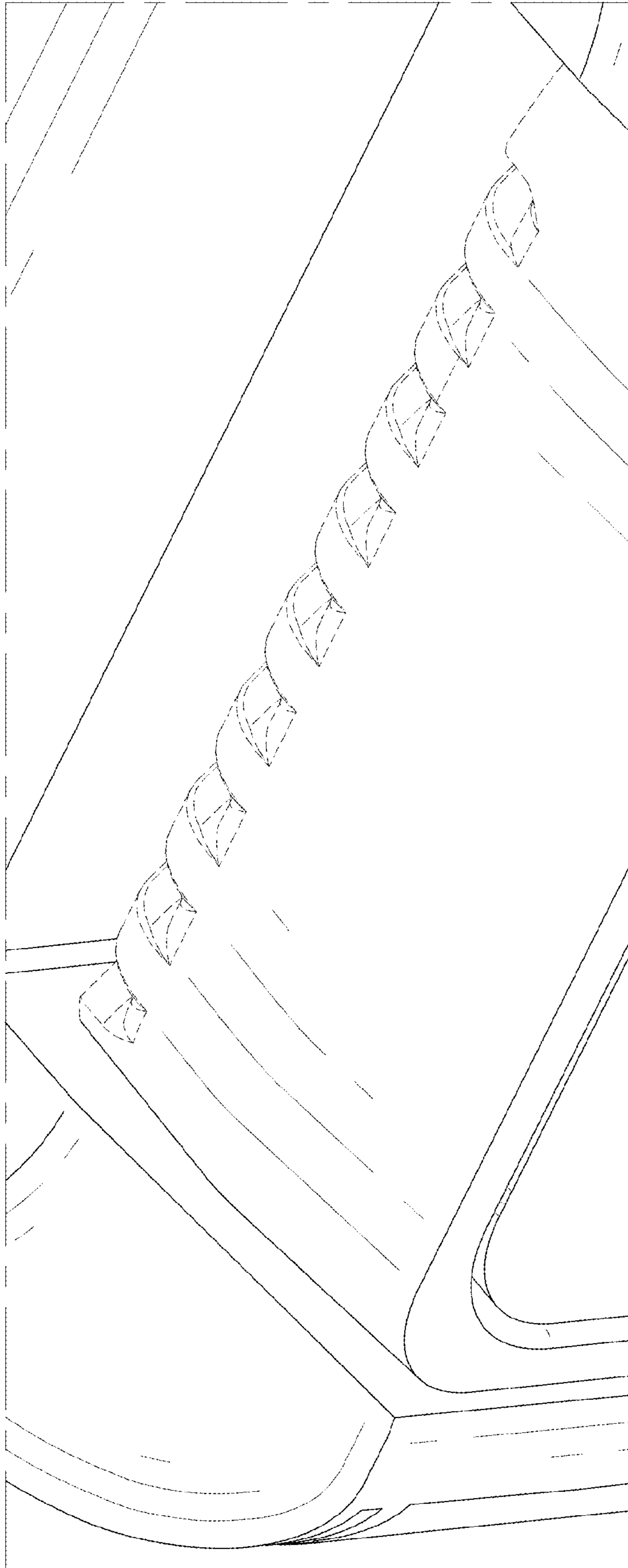


FIG. 10

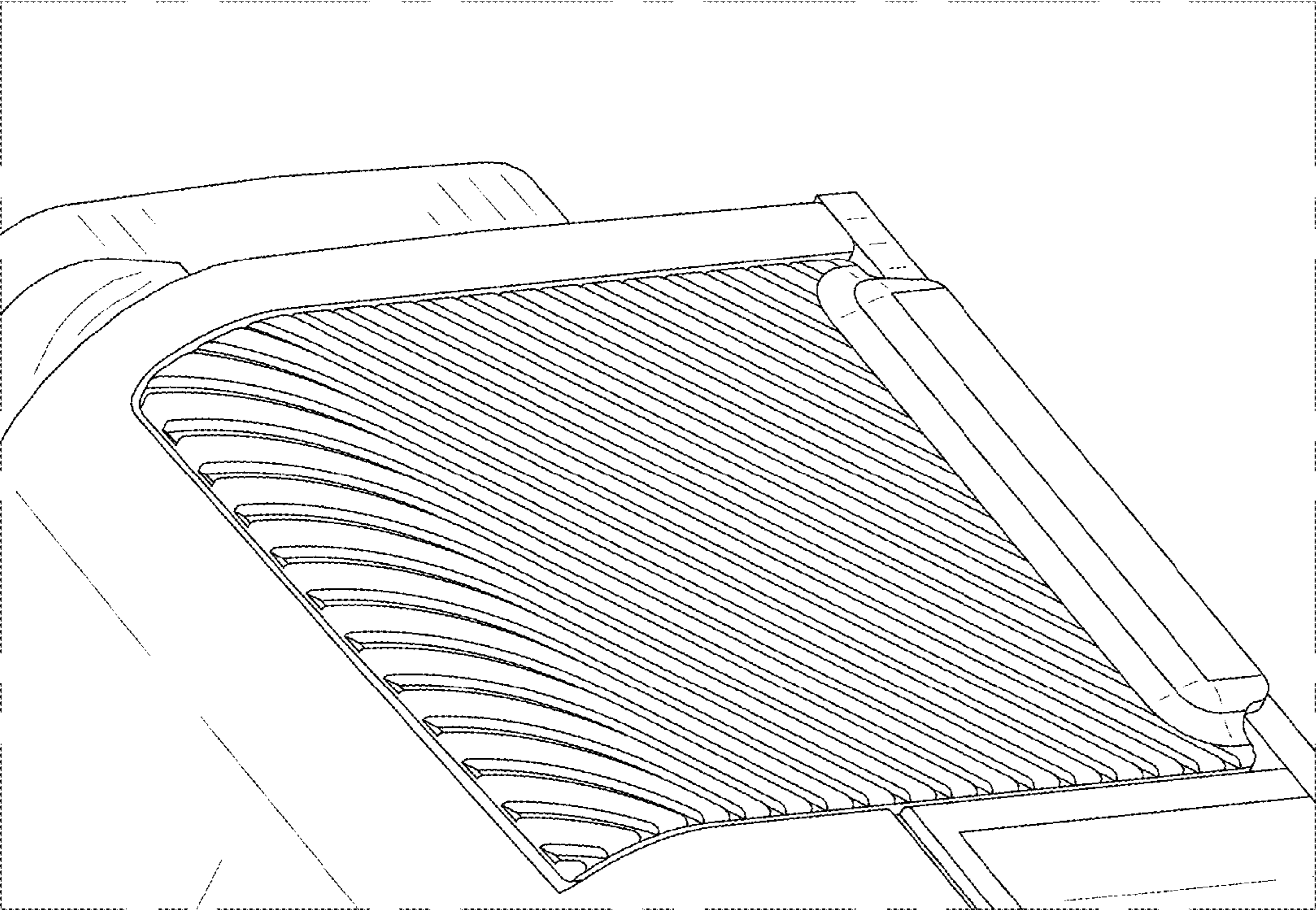


FIG. 11