

US00D969362S

(12) **United States Design Patent** (10) **Patent No.:** **US D969,362 S**
Ge (45) **Date of Patent:** **** Nov. 8, 2022**

(54) **LIGHT CONTROLLER**

(71) Applicant: **Jiajia Ge**, Xinyi (CN)

(72) Inventor: **Jiajia Ge**, Xinyi (CN)

(**) Term: **15 Years**

(21) Appl. No.: **29/837,550**

(22) Filed: **May 6, 2022**

(51) **LOC (13) Cl.** **26-04**

(52) **U.S. Cl.**

USPC **D26/25**; D13/168; D10/106.6

(58) **Field of Classification Search**

USPC D10/106.6, 106.8, 106.9, 111; D13/136,
D13/137.3, 137.4, 137.1, 139.7, 158,
D13/162.1, 164, 165, 168, 170–171, 174,
D13/184; D26/24, 25

CPC H05B 45/37; Y02B 20/40

See application file for complete search history.

(56) **References Cited**

U.S. PATENT DOCUMENTS

- D363,891 S * 11/1995 Gough D10/106.6
- D615,929 S * 5/2010 Maurer D13/110
- D654,879 S * 2/2012 Li D13/170
- D664,876 S * 8/2012 Krumpe D10/106.6
- D783,544 S * 4/2017 Peng D13/160
- D797,963 S * 9/2017 Johnson D26/24
- D809,465 S 2/2018 Keirstead
- D813,428 S * 3/2018 Inscore D26/24
- D818,971 S * 5/2018 Peng D13/168
- D872,696 S * 1/2020 Yu D13/137.4
- D874,692 S * 2/2020 Dai D26/25
- D877,093 S 3/2020 Tang
- D877,097 S 3/2020 Tang
- 10,939,535 B1 * 3/2021 Ghahramani F21V 23/0442
- 10,980,094 B1 * 4/2021 Chang H05B 45/10
- D938,628 S * 12/2021 Qu D26/25

- D943,538 S * 2/2022 Shi D13/168
- D947,422 S * 3/2022 Hu D26/25
- D949,806 S * 4/2022 Zhao D13/168
- D953,585 S * 5/2022 Lin D26/25
- D956,276 S * 6/2022 Cui D26/25
- D960,402 S * 8/2022 Lin D26/25
- 2014/0091719 A1 * 4/2014 Tsai H05B 47/19
315/185 S

FOREIGN PATENT DOCUMENTS

CN 215073048 U * 12/2021

* cited by examiner

Primary Examiner — Katherine Glennon

(74) *Attorney, Agent, or Firm* — Rumit Ranjit Kanakia

(57) **CLAIM**

The ornamental design for a light controller, as shown and described.

DESCRIPTION

FIG. 1 is a first perspective view of a light controller showing my new design;

FIG. 2 is a second perspective view thereof;

FIG. 3 is a front view thereof;

FIG. 4 is a back view thereof;

FIG. 5 is a left side view thereof;

FIG. 6 is a right side view thereof;

FIG. 7 is a top view thereof;

FIG. 8 is a bottom view thereof;

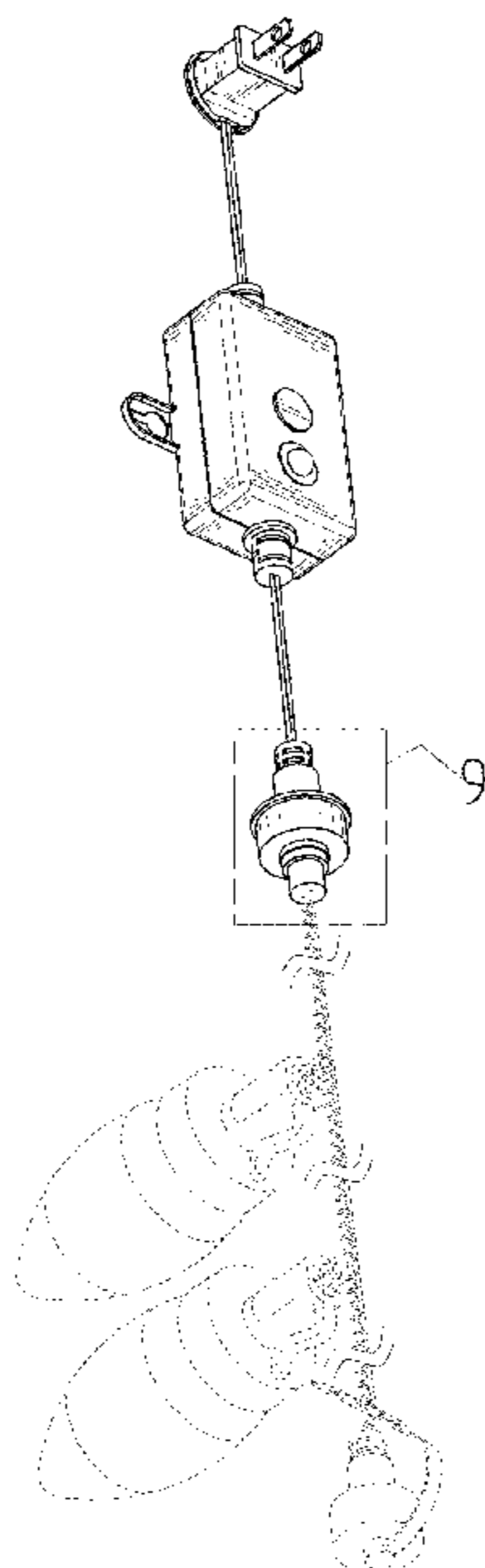
FIG. 9 is an enlarged view of the selected portion 9 in FIG. 1;

FIG. 10 is an enlarged view of the selected portion 10 in FIG. 2; and,

FIG. 11 is an enlarged view of the selected portion 11 in FIG. 2.

The broken lines shown in the drawings depict portions of the light controller that form no part of the claimed design.

1 Claim, 11 Drawing Sheets



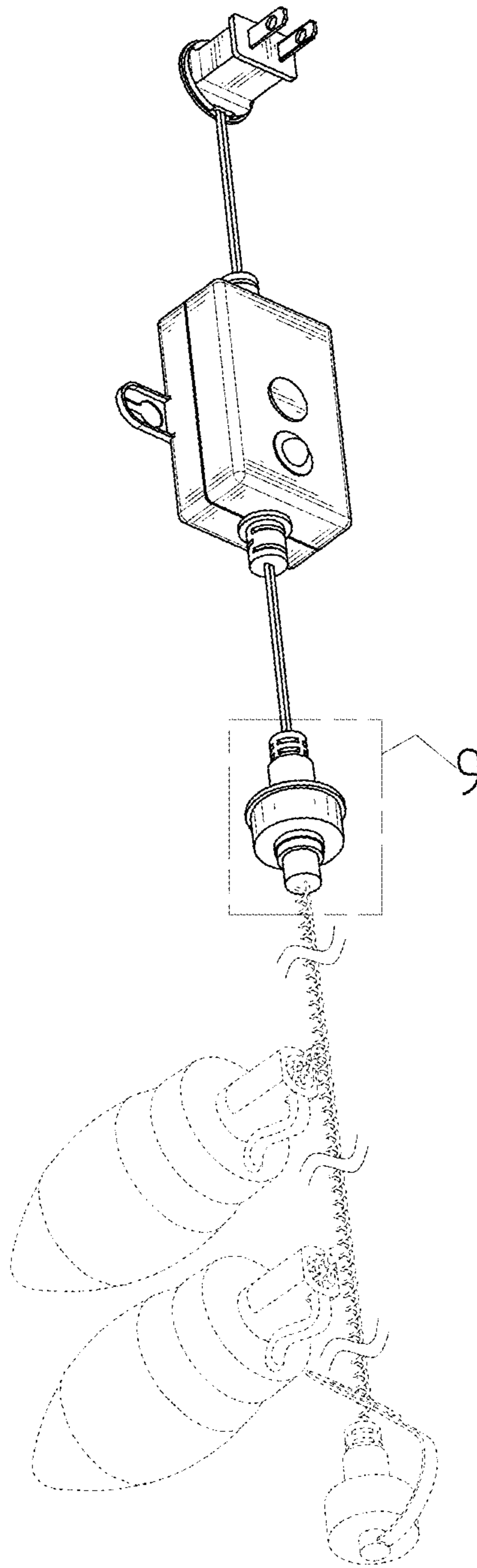


FIG. 1

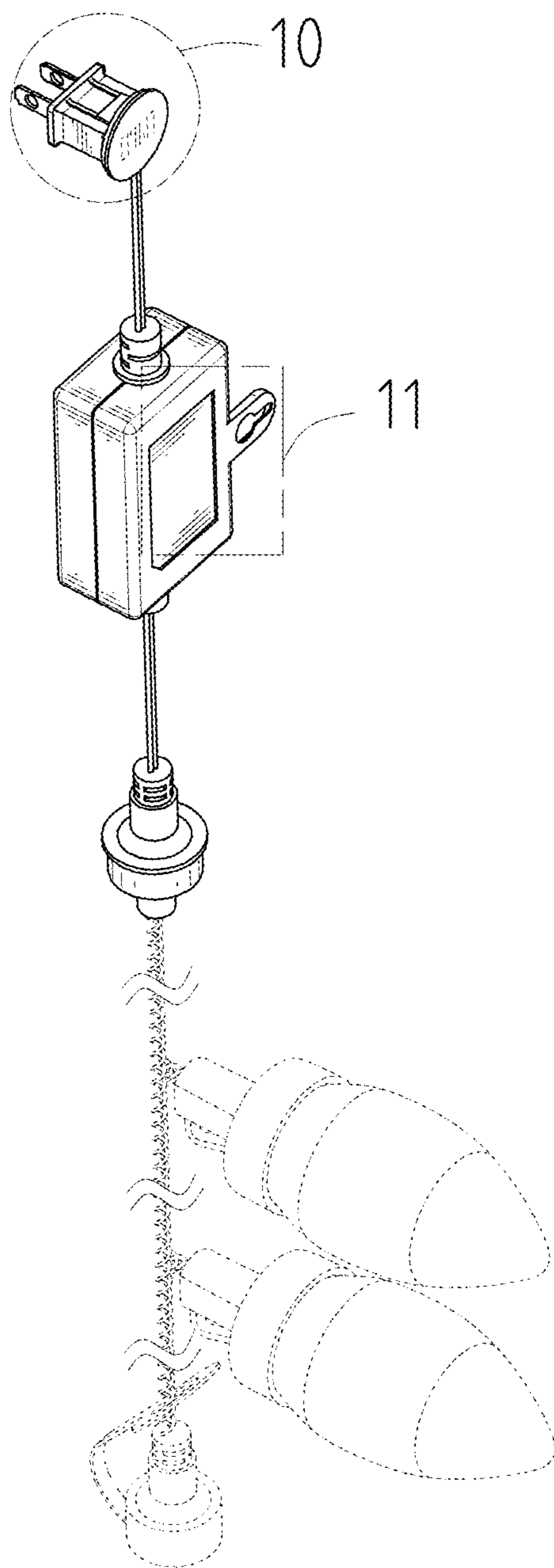


FIG. 2

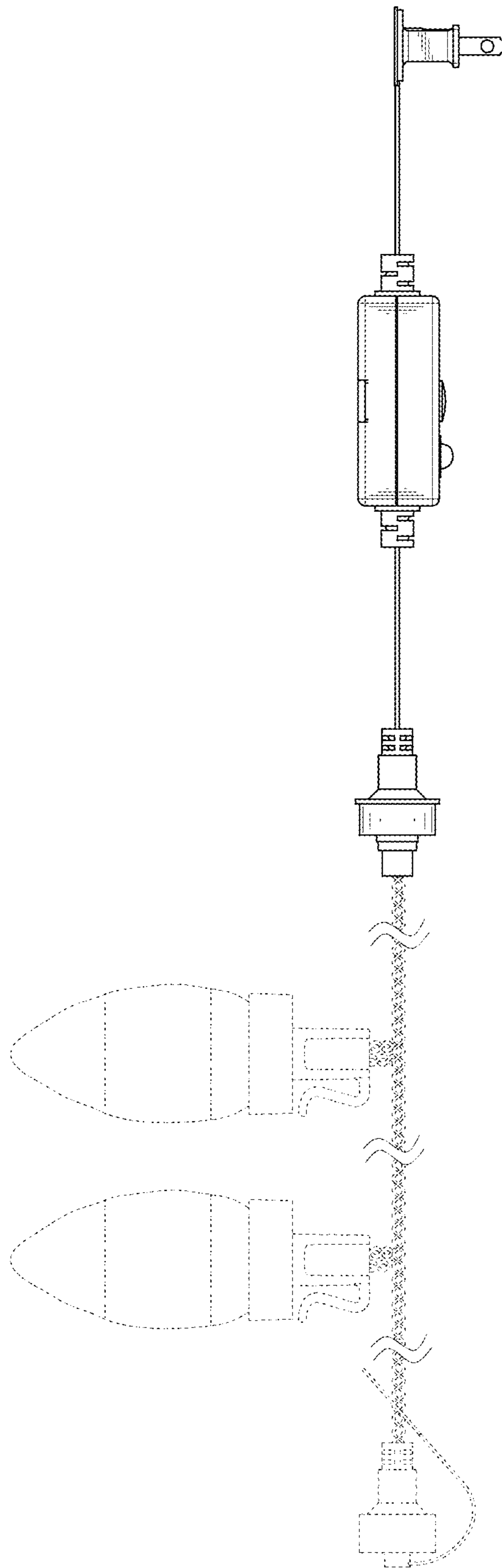


FIG. 3

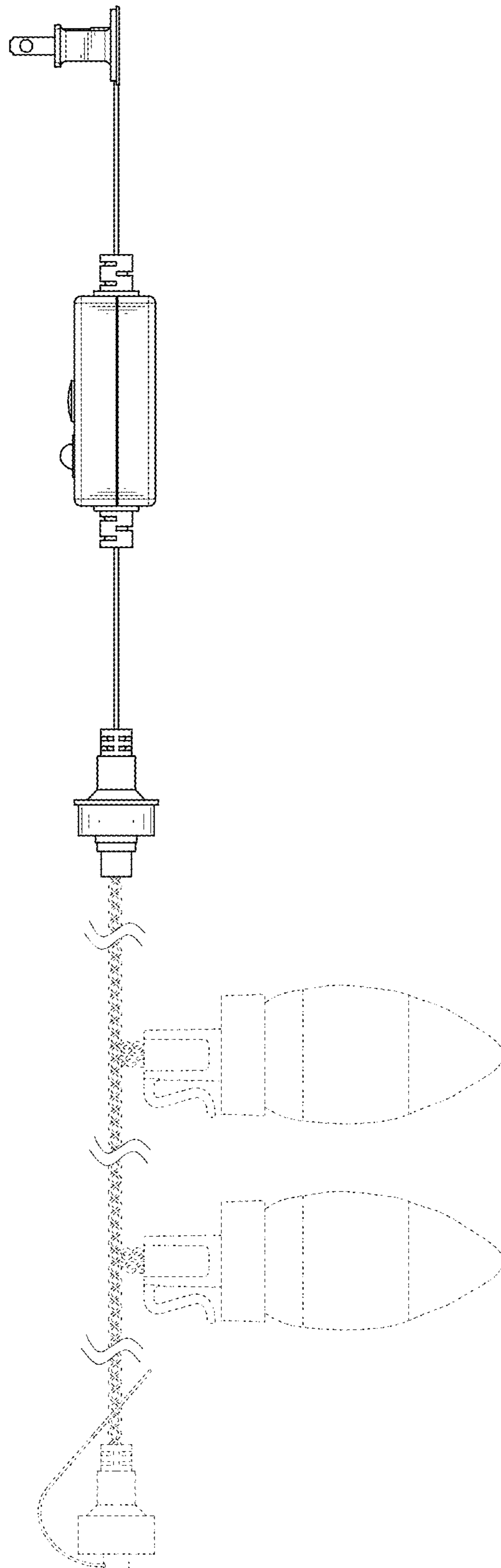


FIG. 4

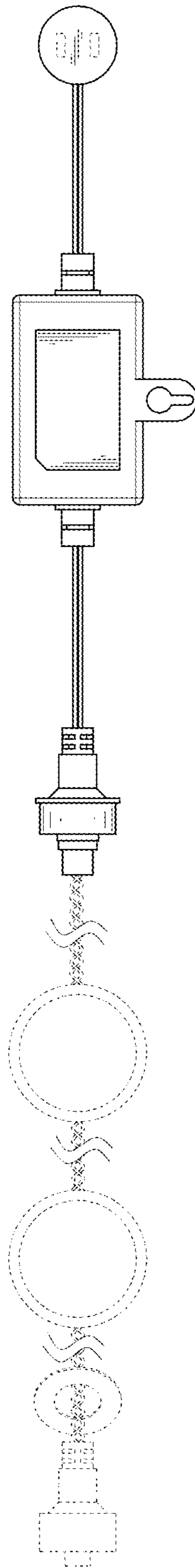


FIG. 5

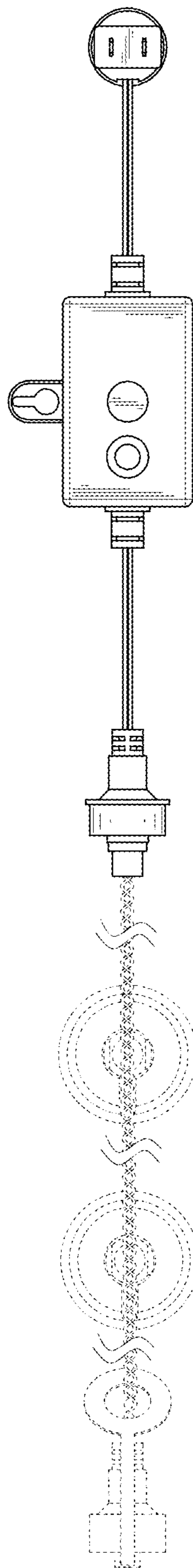


FIG. 6

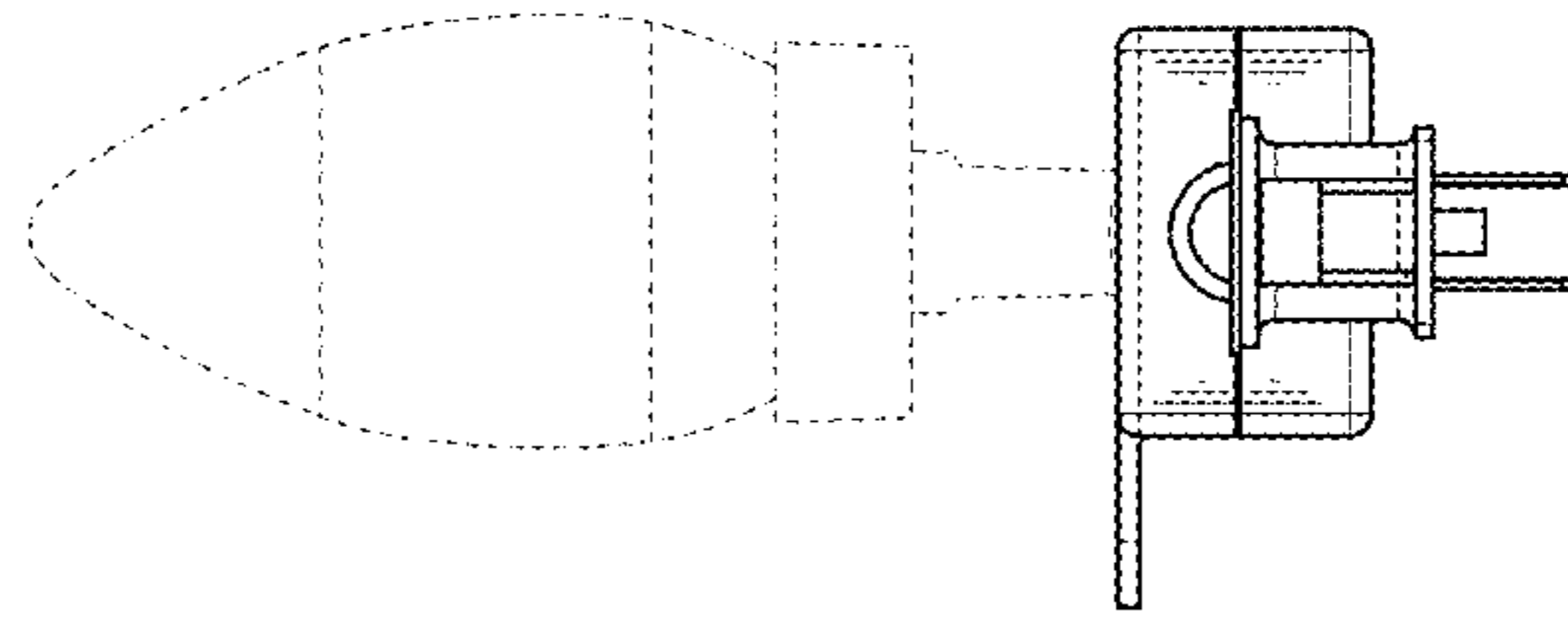


FIG. 7

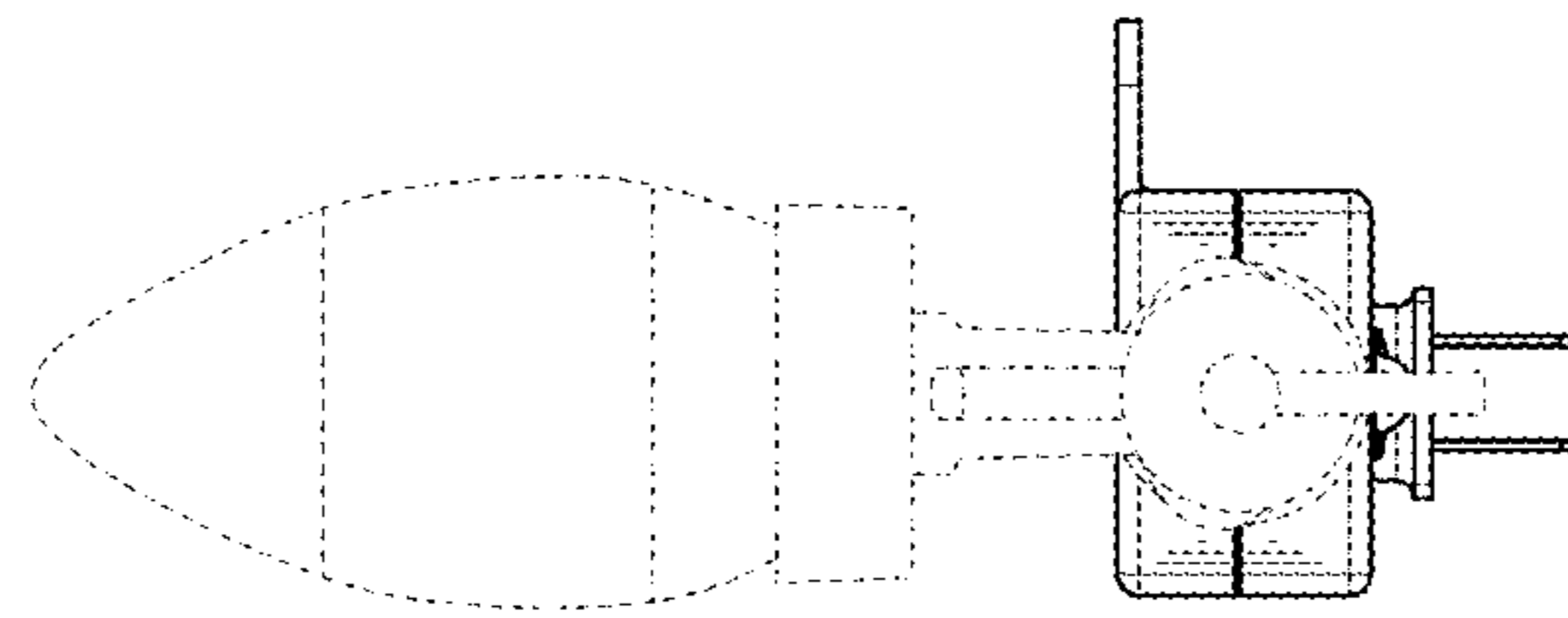


FIG. 8

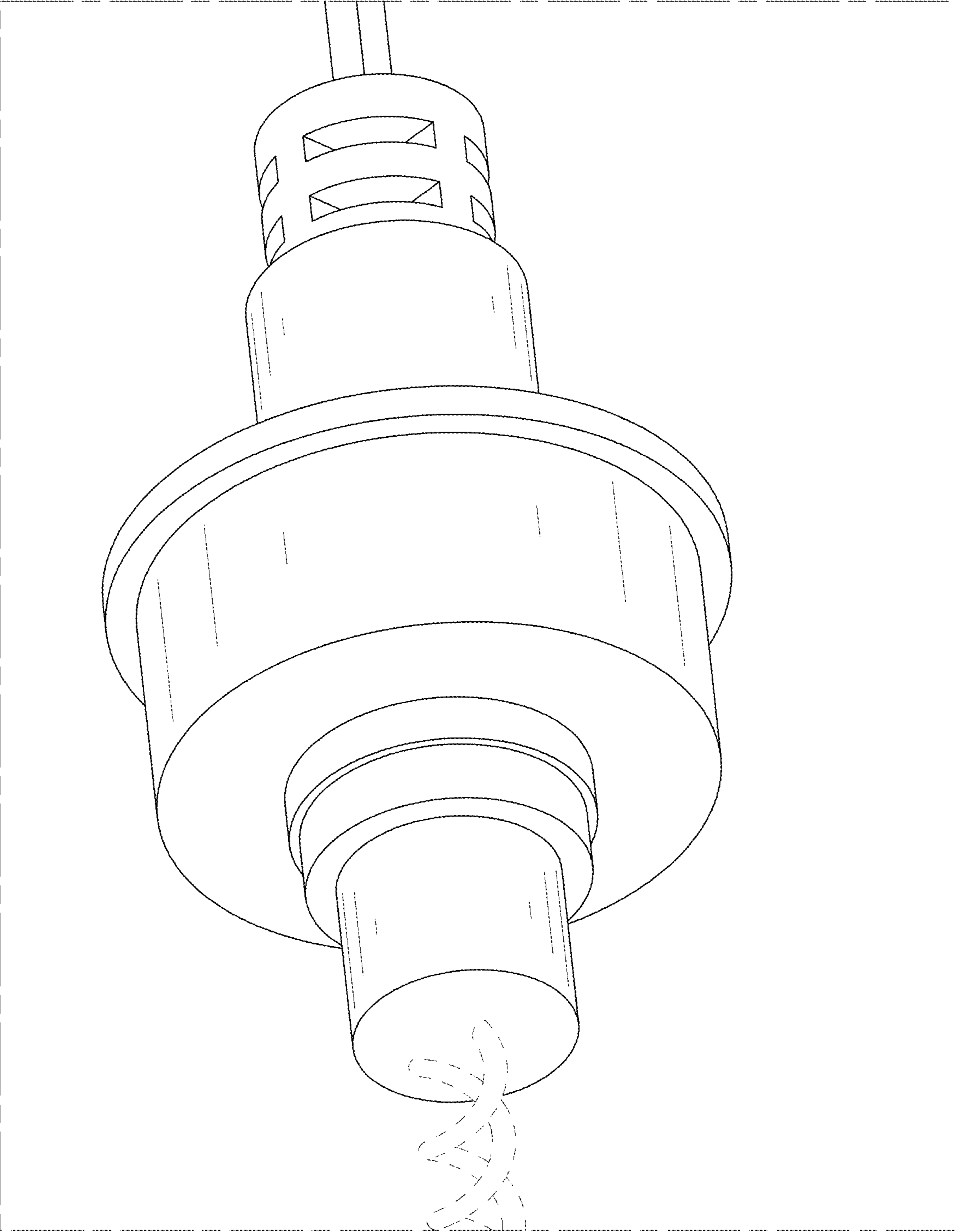


FIG. 9

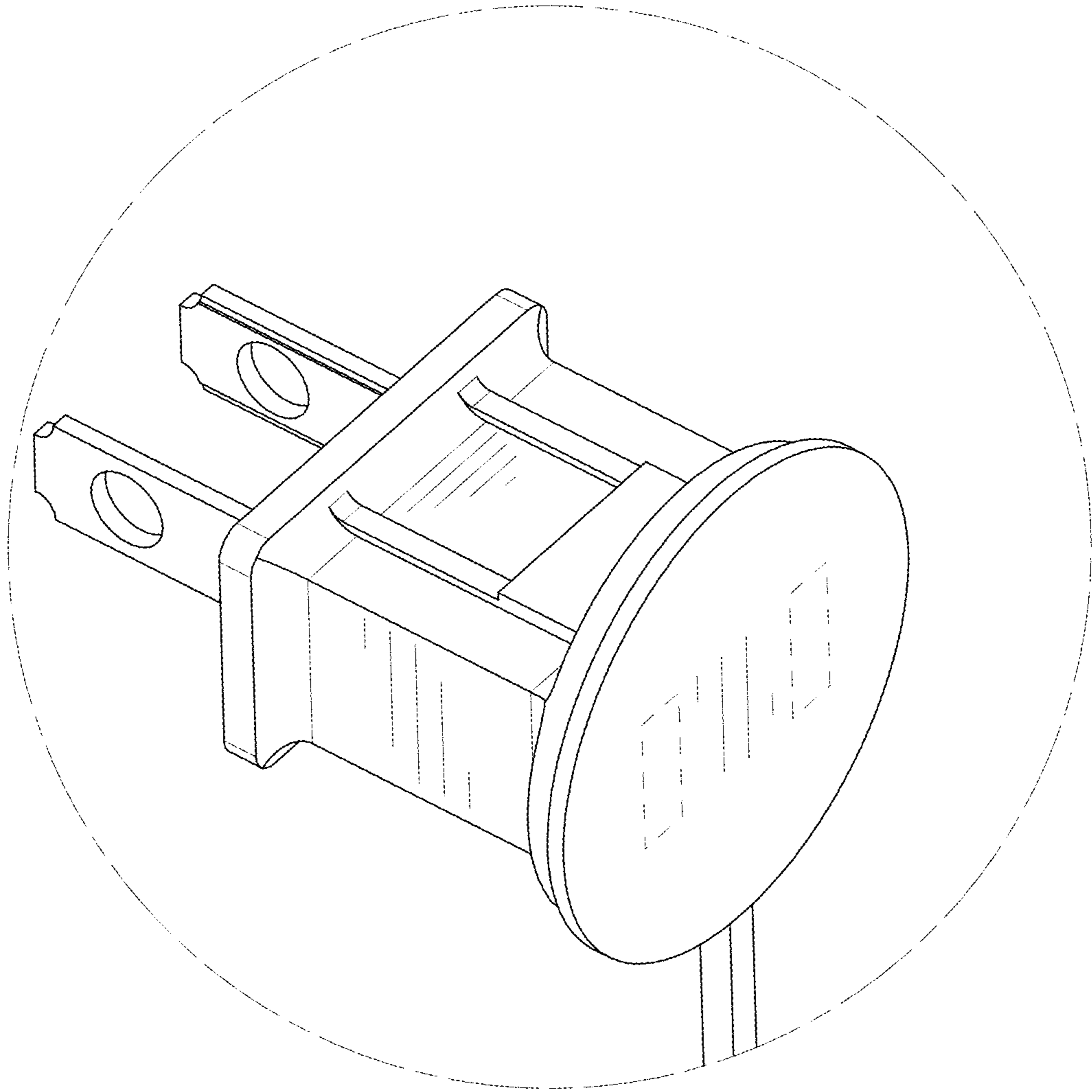


FIG. 10

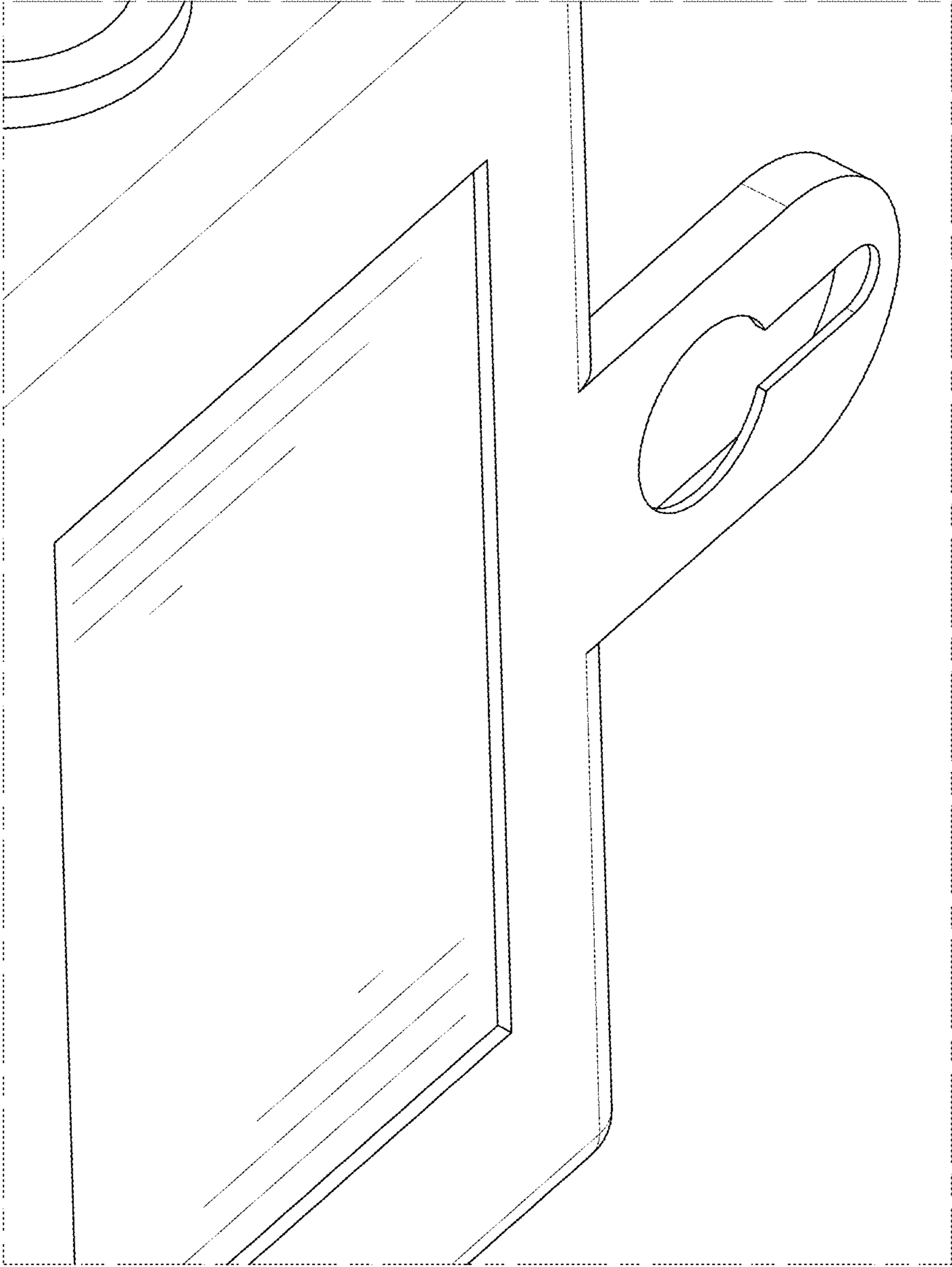


FIG. 11