

US00D969361S

(12) **United States Design Patent** (10) **Patent No.:** **US D969,361 S**  
**Ge** (45) **Date of Patent:** **\*\* Nov. 8, 2022**

(54) **LIGHT CONTROLLER**

(71) Applicant: **Jiajia Ge**, Xinyi (CN)

(72) Inventor: **Jiajia Ge**, Xinyi (CN)

(\*\*) Term: **15 Years**

(21) Appl. No.: **29/837,548**

(22) Filed: **May 6, 2022**

(51) **LOC (13) Cl.** ..... **26-04**

(52) **U.S. Cl.**

USPC ..... **D26/25**; D13/168; D10/106.6

(58) **Field of Classification Search**

USPC ..... D10/106.6, 106.8, 106.9, 111; D13/136,  
D13/137.3, 137.4, 137.1, 139.7, 158,  
D13/162.1, 164, 165, 168, 170–171, 174,  
D13/184; D26/24, 25

CPC ..... H05B 45/37; Y02B 20/40

See application file for complete search history.

(56) **References Cited**

**U.S. PATENT DOCUMENTS**

D363,891 S	*	11/1995	Gough	.....	D10/106.6
D615,929 S	*	5/2010	Maurer	.....	D13/110
D654,879 S	*	2/2012	Li	.....	D13/170
D664,876 S	*	8/2012	Krumpe	.....	D10/106.6
D783,544 S	*	4/2017	Peng	.....	D13/160
D809,465 S		2/2018	Keirstead		
D818,971 S	*	5/2018	Peng	.....	D13/168
D825,365 S	*	8/2018	Van Der Bijl	.....	D10/104.1
D830,979 S	*	10/2018	Hung	.....	D13/168
D872,696 S	*	1/2020	Yu	.....	D13/137.4
D874,692 S	*	2/2020	Dai	.....	D26/25
D877,093 S		3/2020	Tang		
D877,097 S		3/2020	Tang		
D891,377 S	*	7/2020	Ahrari	.....	D13/168
D896,112 S	*	9/2020	Li	.....	D10/70

10,980,094 B1	*	4/2021	Chang	.....	H05B 45/10
D933,610 S	*	10/2021	Hunter-Jones	.....	D13/137.4
D938,628 S	*	12/2021	Qu	.....	D26/25
D943,538 S	*	2/2022	Shi	.....	D13/168
D947,422 S	*	3/2022	Hu	.....	D26/25
D949,806 S	*	4/2022	Zhao	.....	D13/168
D952,218 S	*	5/2022	Qiu	.....	D26/26
D953,585 S	*	5/2022	Lin	.....	D26/25
D956,276 S	*	6/2022	Cui	.....	D26/25
D960,402 S	*	8/2022	Lin	.....	D26/25
2014/0091719 A1	*	4/2014	Tsai	.....	H05B 47/19 315/185 S

\* cited by examiner

*Primary Examiner* — Katherine Glennon

(74) *Attorney, Agent, or Firm* — Rumit Ranjit Kanakia

(57) **CLAIM**

The ornamental design for a light controller, as shown and described.

**DESCRIPTION**

FIG. 1 is a first perspective view of a light controller showing my new design;

FIG. 2 is a second perspective view thereof;

FIG. 3 is a front view thereof;

FIG. 4 is a back view thereof;

FIG. 5 is a left side view thereof;

FIG. 6 is a right side view thereof;

FIG. 7 is a top view thereof;

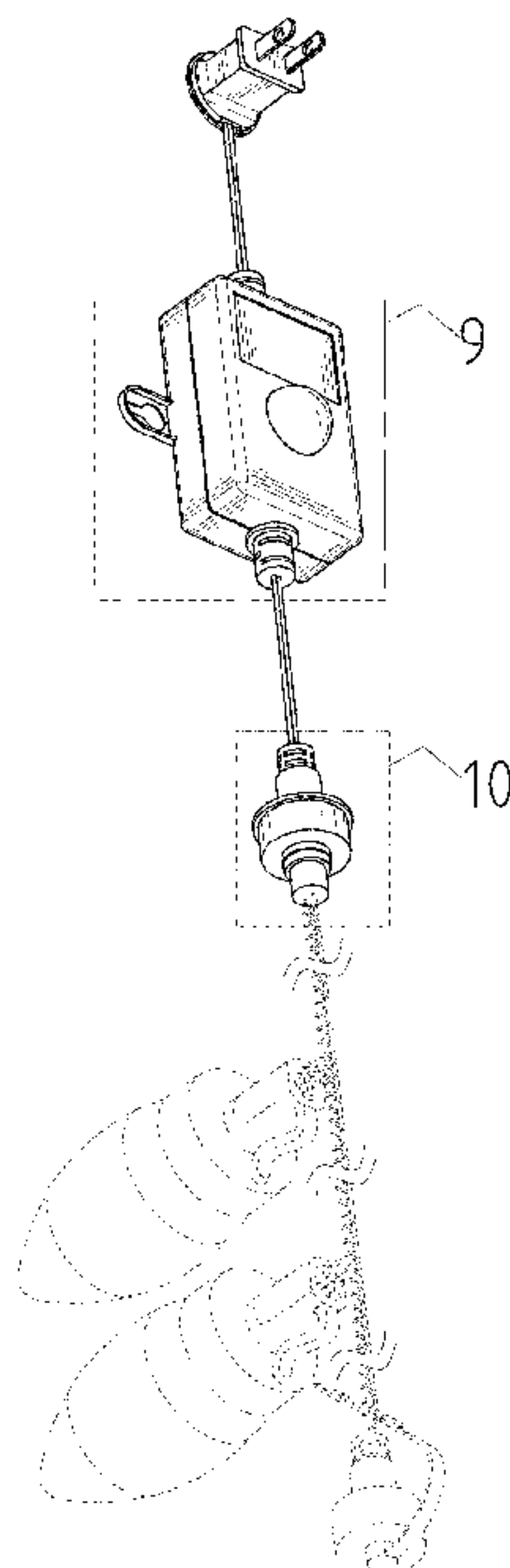
FIG. 8 is a bottom view thereof;

FIG. 9 is an enlarged view of the selected portion 9 in FIG. 1; and,

FIG. 10 is an enlarged view of the selected portion 10 in FIG. 1.

The broken lines shown in the drawings depict portions of the light controller that form no part of the claimed design.

**1 Claim, 10 Drawing Sheets**



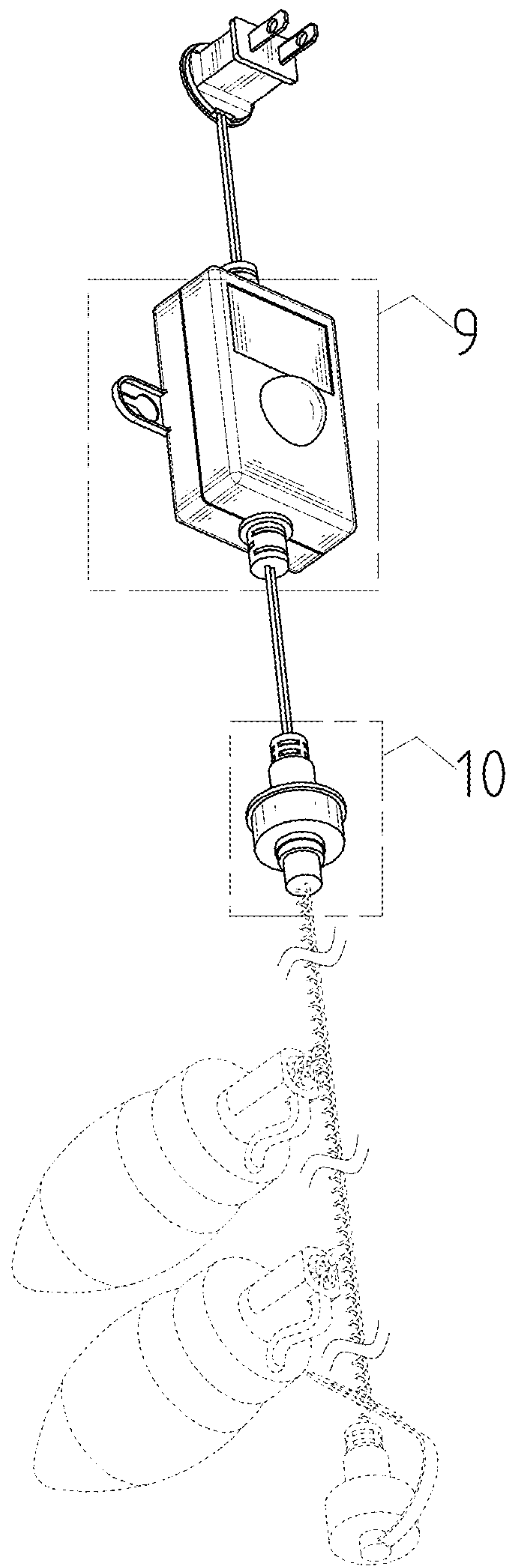


FIG. 1

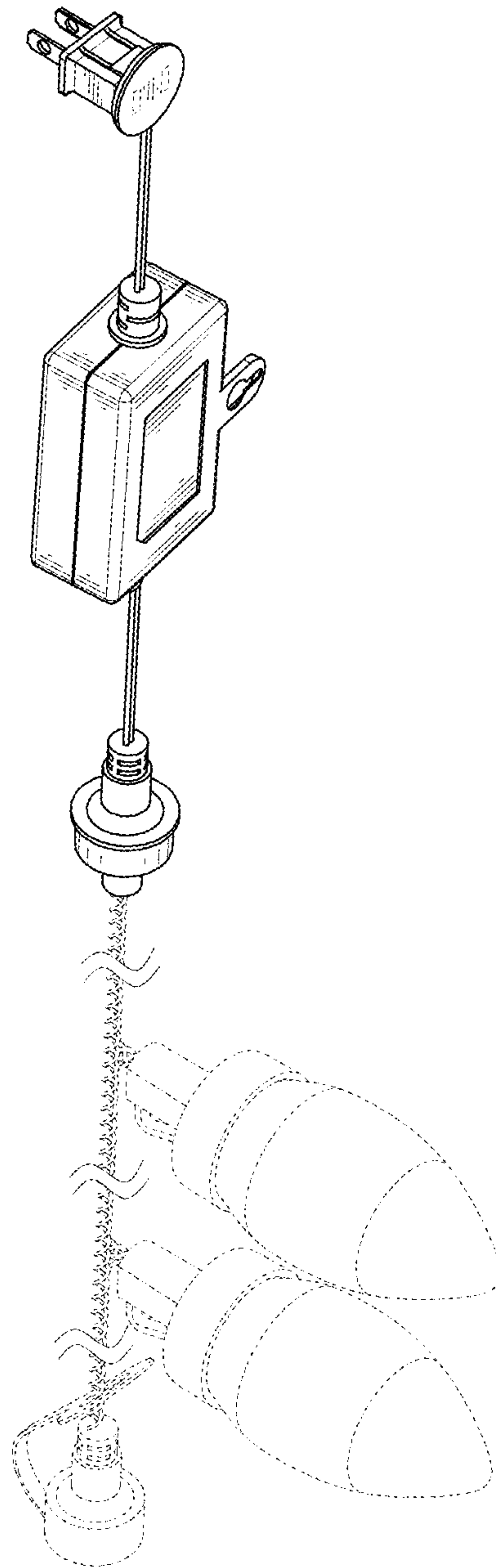


FIG. 2

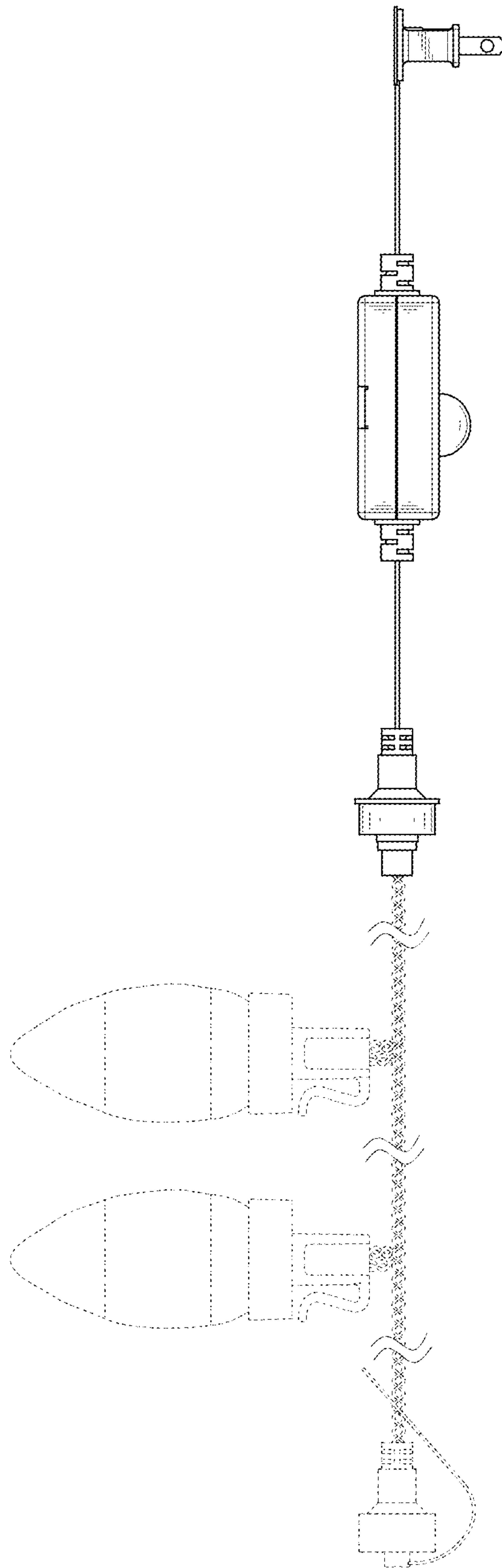


FIG. 3

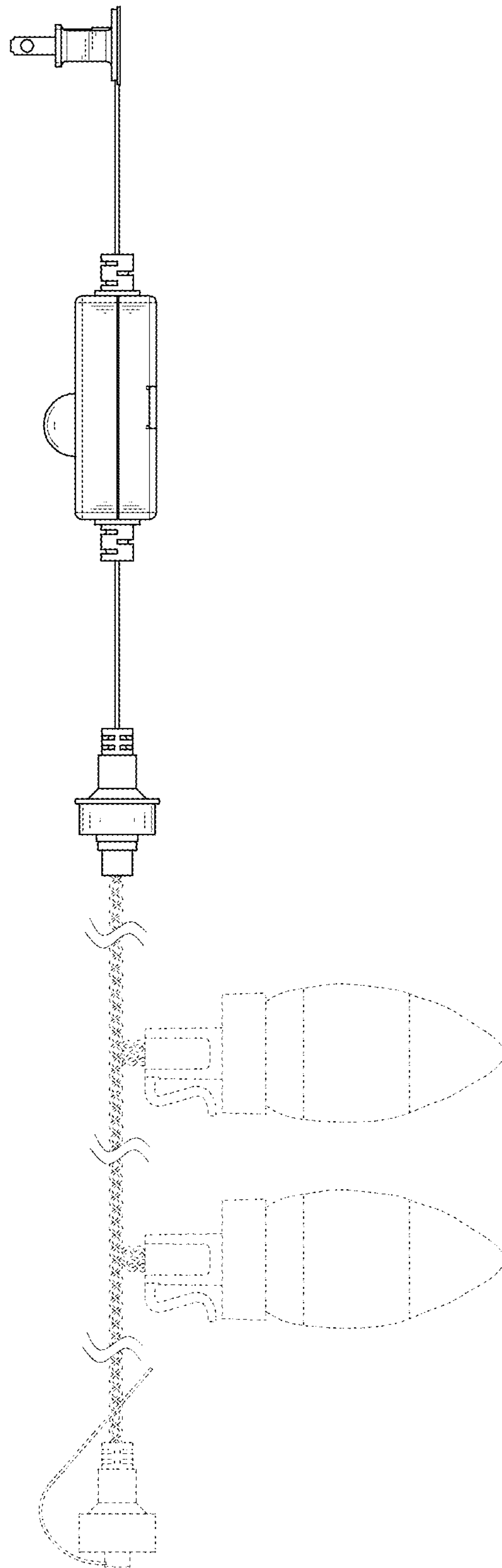


FIG. 4

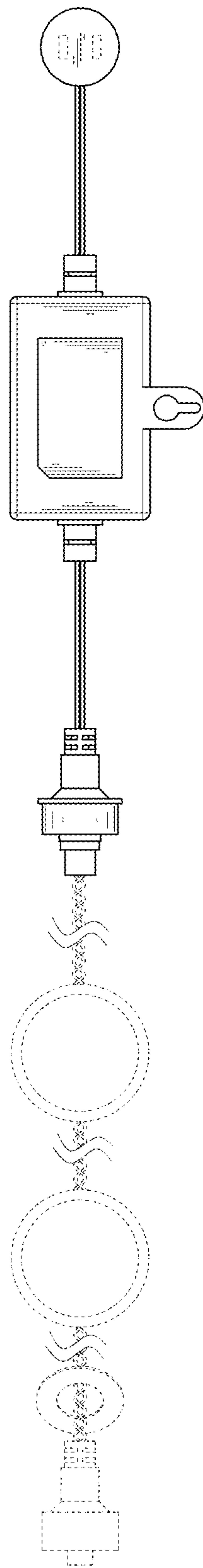


FIG. 5

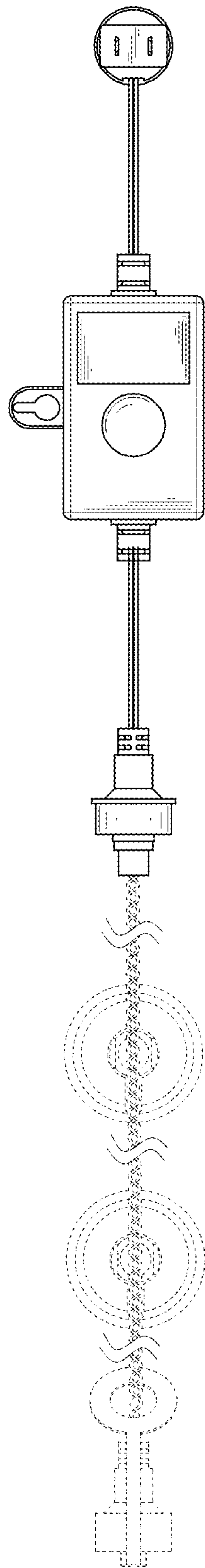


FIG. 6

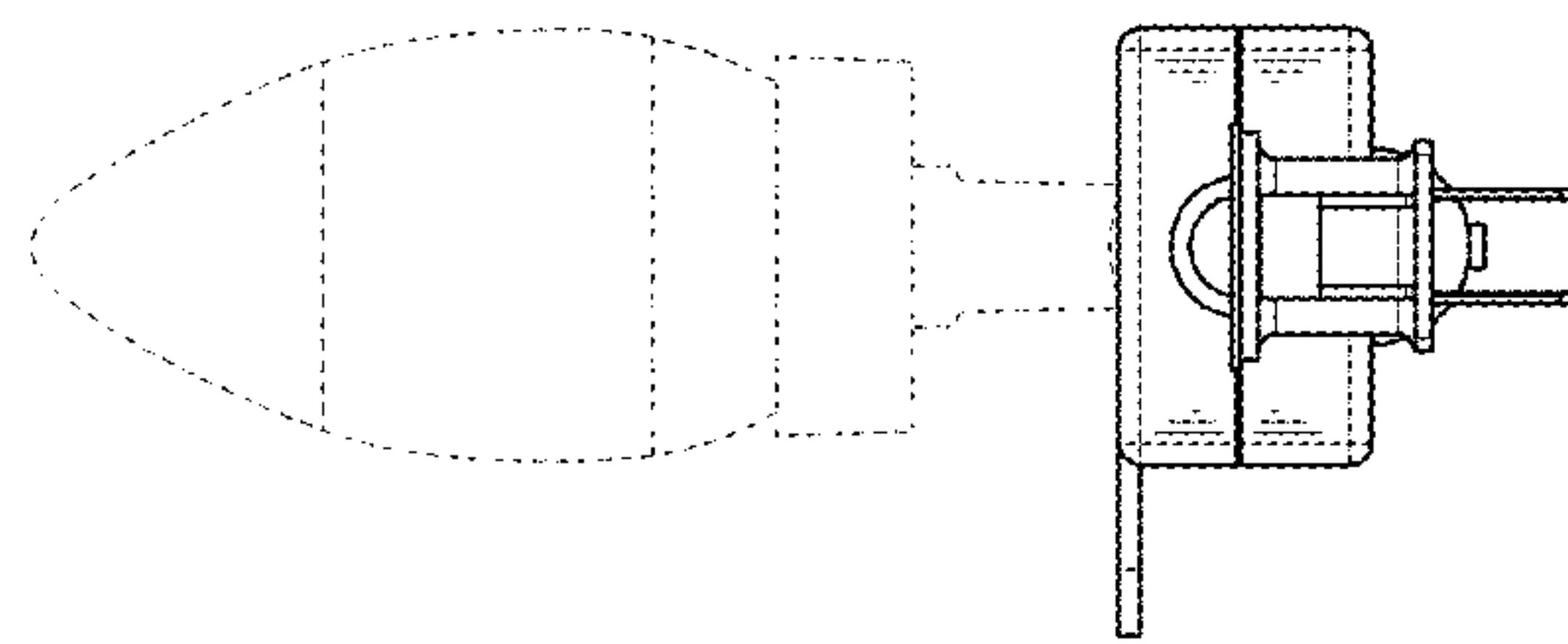


FIG. 7



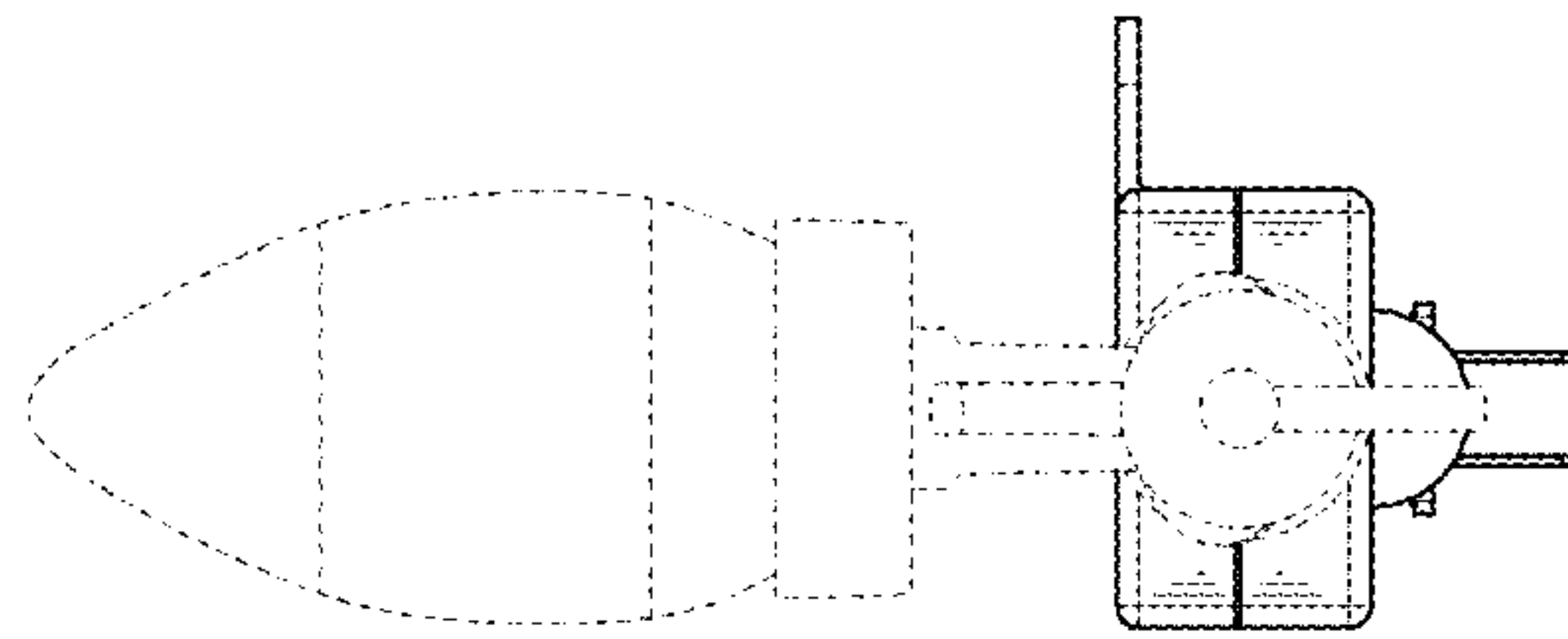


FIG. 8

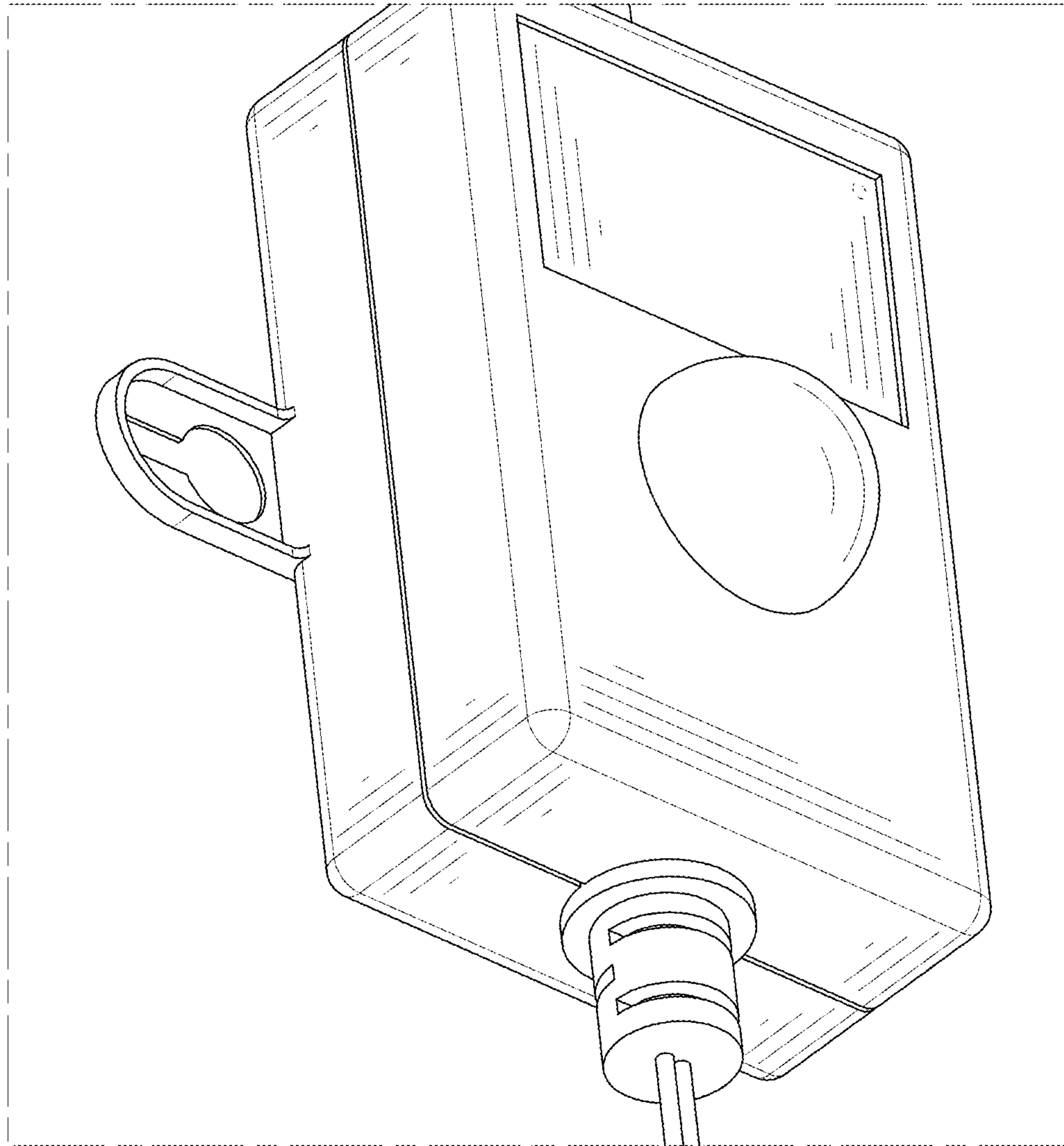


FIG. 9

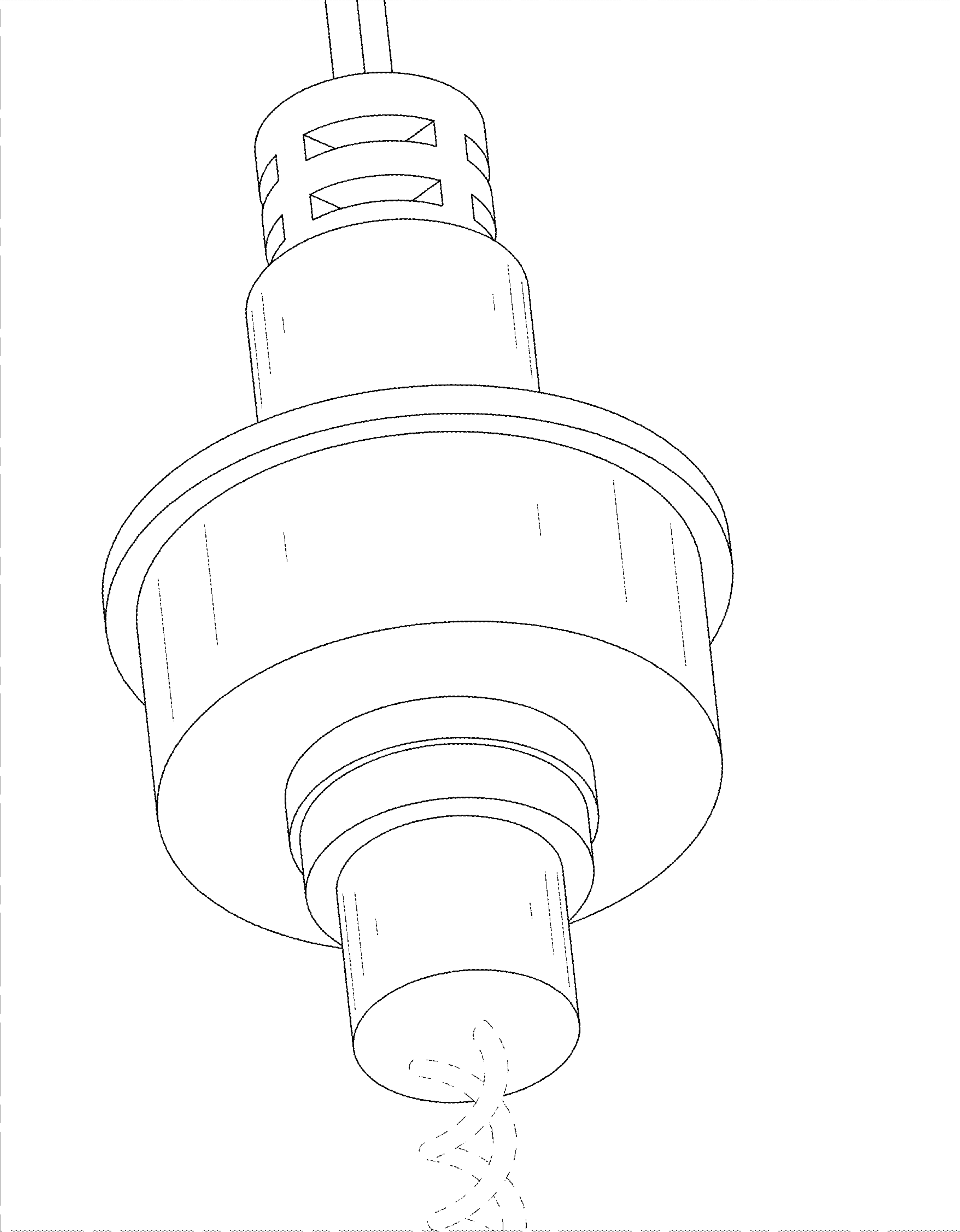


FIG. 10