



US00D969349S

(12) **United States Design Patent** (10) **Patent No.:** **US D969,349 S**
Magin et al. (45) **Date of Patent:** **** *Nov. 8, 2022**

(54) **CEILING PANEL SYSTEM**
(71) Applicant: **CERTAINEED CEILINGS CORPORATION**, Malvern, PA (US)
(72) Inventors: **Michael Magin**, Cumming, GA (US); **David A. Bailey**, Norcross, GA (US); **Christopher G. Jones**, Norcross, GA (US); **Samuel Carrillo Lacouture**, Lawrenceville, GA (US); **Yorgo Lykouria**, London (GB); **James Bennett**, London (GB); **Pierce Brennan**, Peckham (GB)

4,441,282 A * 4/1984 Thual E04B 9/34 248/343
D589,633 S * 3/2009 Mattingly D25/138
D651,325 S * 12/2011 Martin D25/138
D651,728 S * 1/2012 Martin D25/138
2003/0205016 A1* 11/2003 Gulbrandsen E04B 9/30 52/506.06
2004/0244323 A1 12/2004 Ostenfeldt
2015/0240490 A1 8/2015 Firinga
(Continued)

FOREIGN PATENT DOCUMENTS

CA 2866575 A1 * 9/2013 E04B 9/34
CN 209837434 U 12/2019
(Continued)

(*) Notice: This patent is subject to a terminal disclaimer.

(**) Term: **15 Years**

(21) Appl. No.: **29/757,555**

(22) Filed: **Nov. 6, 2020**

(51) **LOC (13) Cl.** **25-01**

(52) **U.S. Cl.**
USPC **D25/138**

(58) **Field of Classification Search**
USPC D25/138
CPC . E04B 9/00; E04B 9/003; E04B 9/005; E04B 9/04; E04B 9/0407; E04B 9/0471; E04B 9/22; E04B 9/225; E04B 9/245; E04B 9/247; E04B 9/26; E04B 9/28; E04B 9/345; E04B 9/36
See application file for complete search history.

(56) **References Cited**

U.S. PATENT DOCUMENTS

3,310,924 A * 3/1967 Boynton E04B 2/7407 52/565
4,261,433 A * 4/1981 Propst E04B 1/86 181/286

OTHER PUBLICATIONS

Depending Design U.S. Appl. No. 29/757,552, filed Nov. 6, 2020.
(Continued)

Primary Examiner — Doris Clark
(74) *Attorney, Agent, or Firm* — McDonnell Boehnen Hulbert & Berghoff LLP

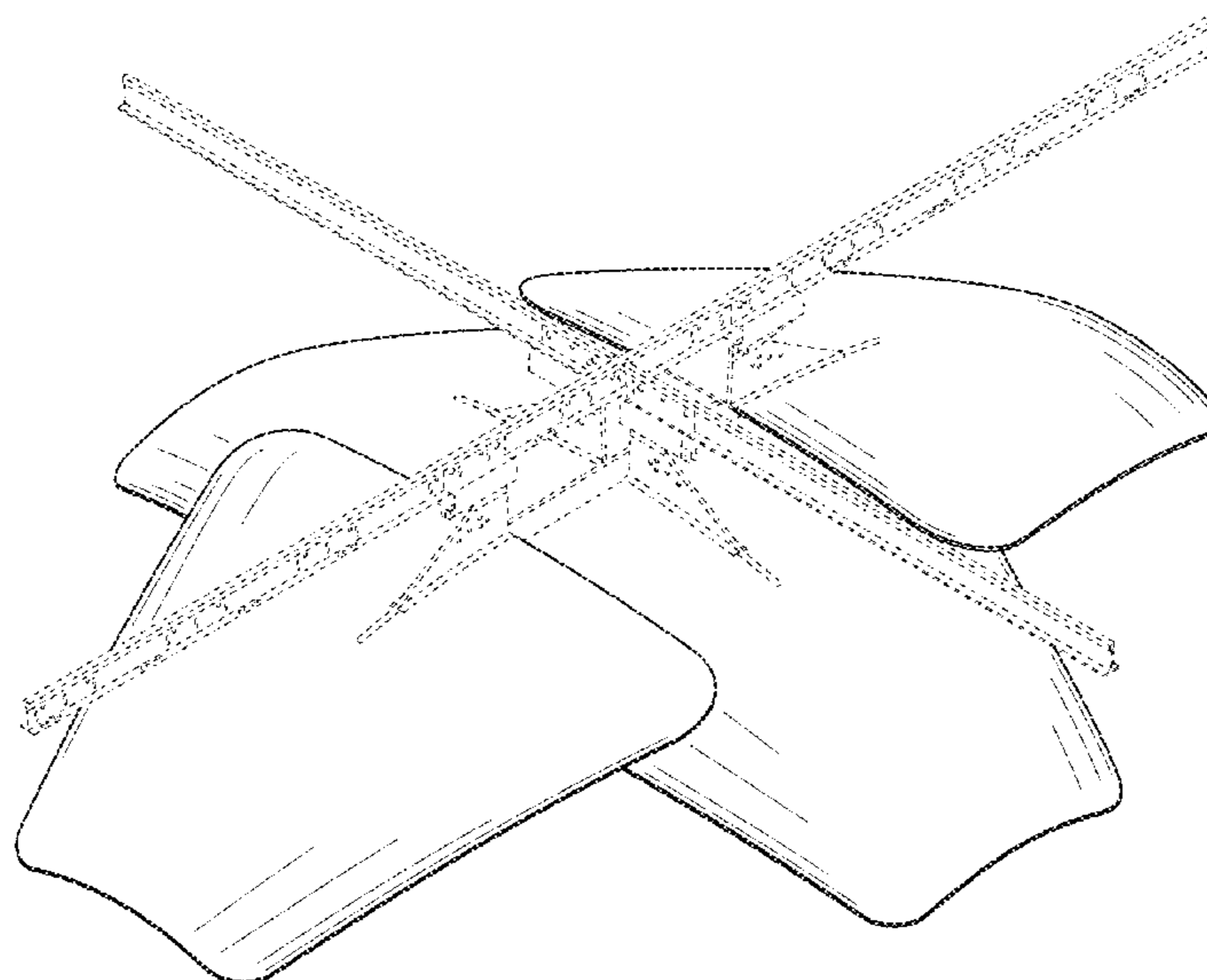
(57) **CLAIM**

The ornamental design for a ceiling panel system, as shown and described.

DESCRIPTION

FIG. 1 is a top perspective view of a ceiling panel system; FIG. 2 is a bottom perspective view thereof; FIG. 3 is a top view thereof; FIG. 4 is a bottom view thereof; FIG. 5 is a front elevation view thereof, and the rear elevation view is identical to the front elevation view; and, FIG. 6 is a right side elevation view thereof, and the left side elevation view is identical to the right side elevation view. The broken lines depict portions of the ceiling panel system that form no part of the claimed design.

1 Claim, 5 Drawing Sheets



(56)

References Cited

U.S. PATENT DOCUMENTS

2016/0333581 A1* 11/2016 Van Dore E04B 9/18
2018/0127976 A1 5/2018 Gillette
2018/0283004 A1* 10/2018 Gillette E04B 9/366
2019/0017260 A1* 1/2019 Bou Harb F21S 8/061

FOREIGN PATENT DOCUMENTS

CN 110965692 A 4/2020
JP H05-280134 A 10/1993

OTHER PUBLICATIONS

Depending Design U.S. Appl. No. 29/757,558, filed Nov. 6, 2020.
Depending Design U.S. Appl. No. 29/757,562, filed Nov. 6, 2020.
Depending U.S. Appl. No. 17/320,651, filed May 14, 2021.
International Search Report and Written Opinion in PCT/US2021/
032430, dated Sep. 3, 2021.

* cited by examiner

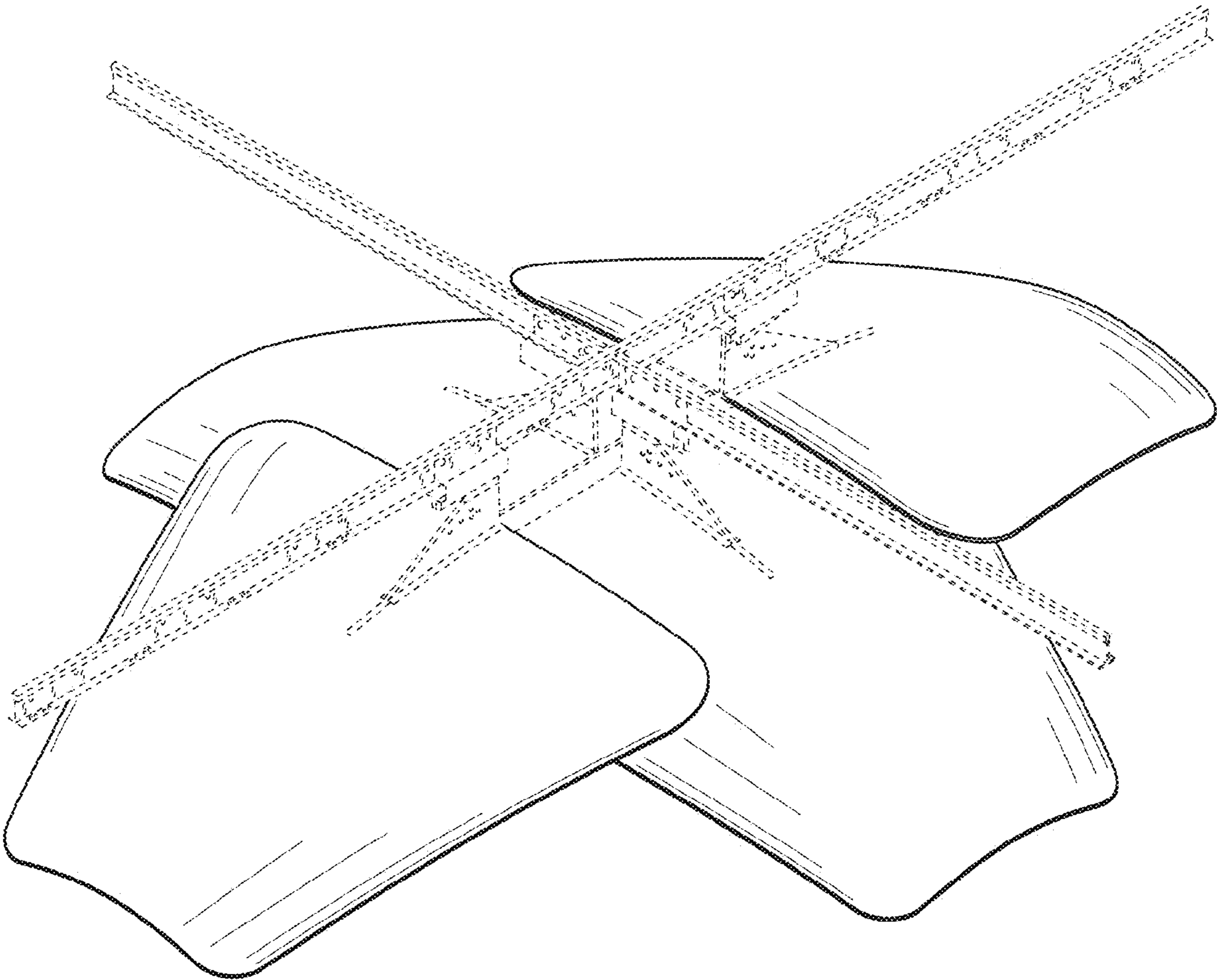


FIG. 1

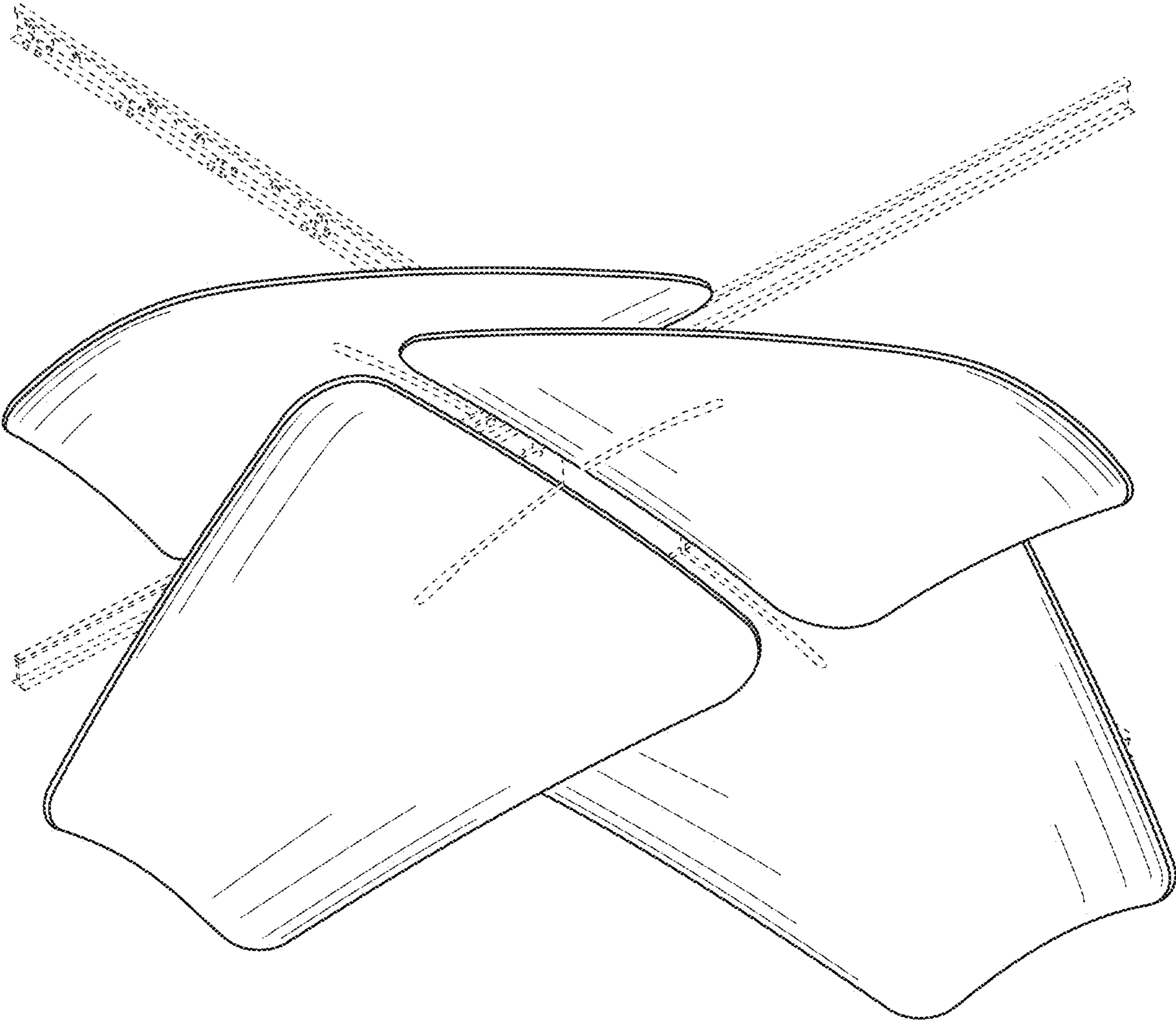


FIG. 2

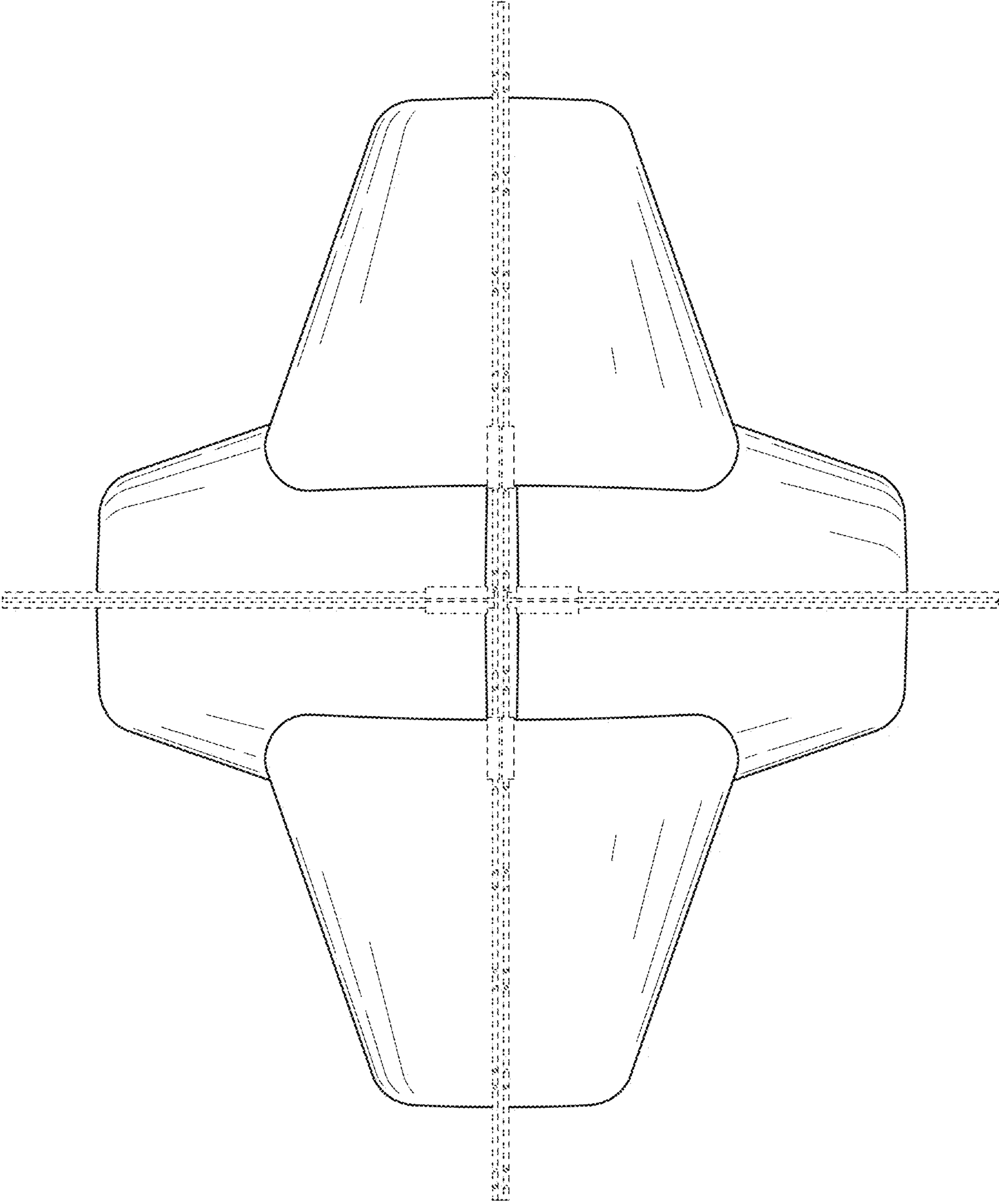


FIG. 3

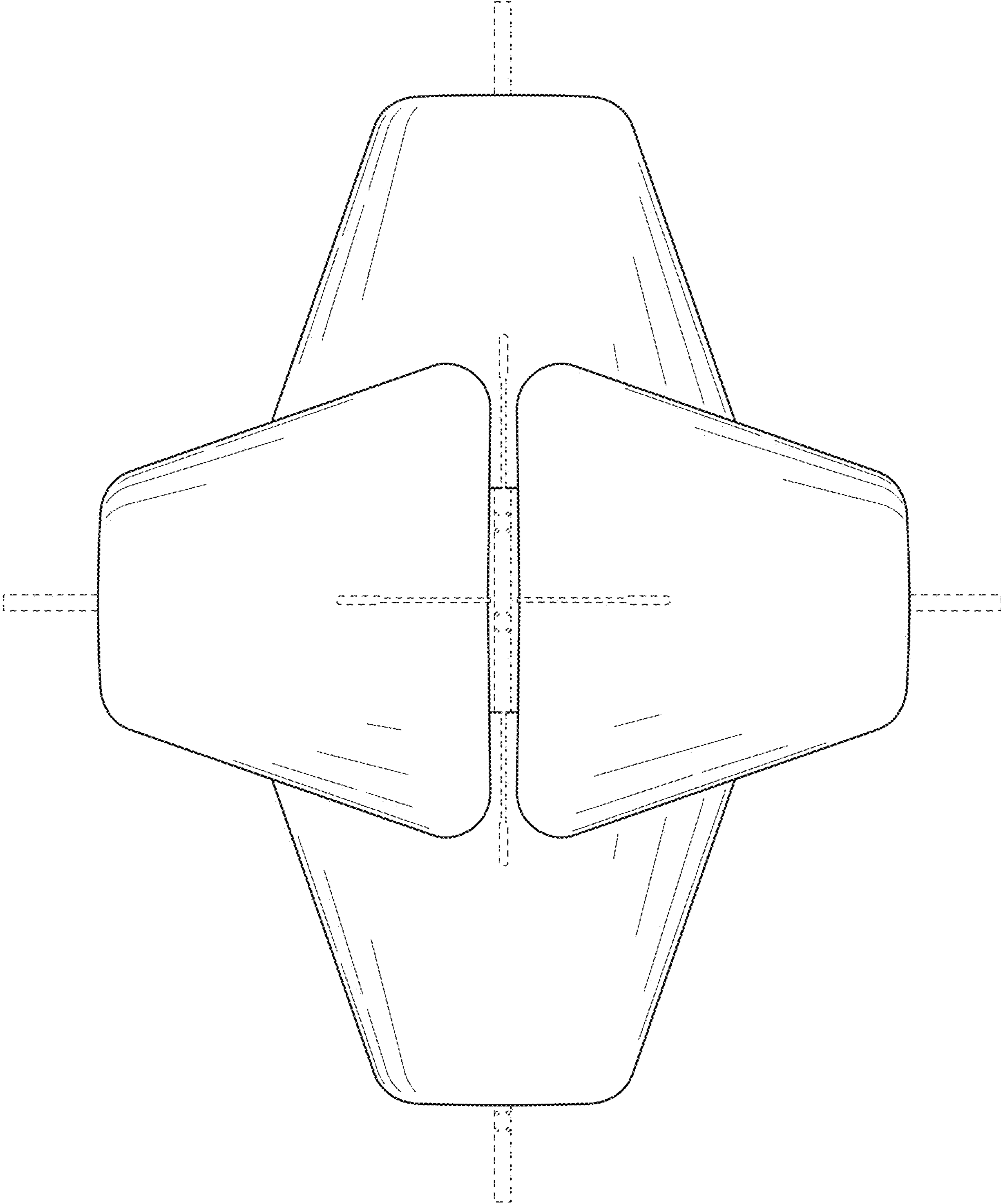


FIG. 4

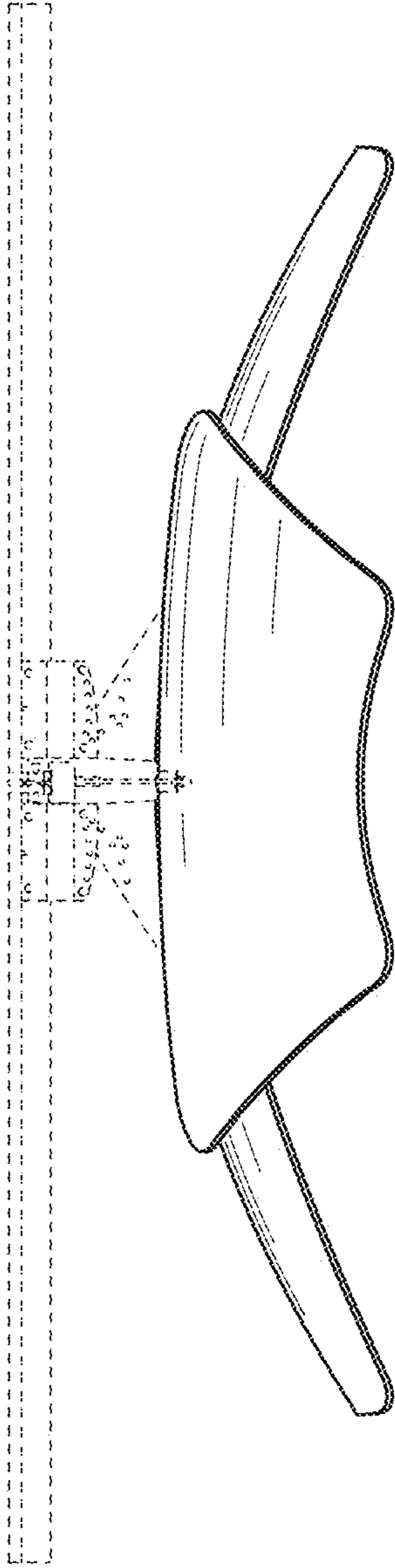


FIG. 5

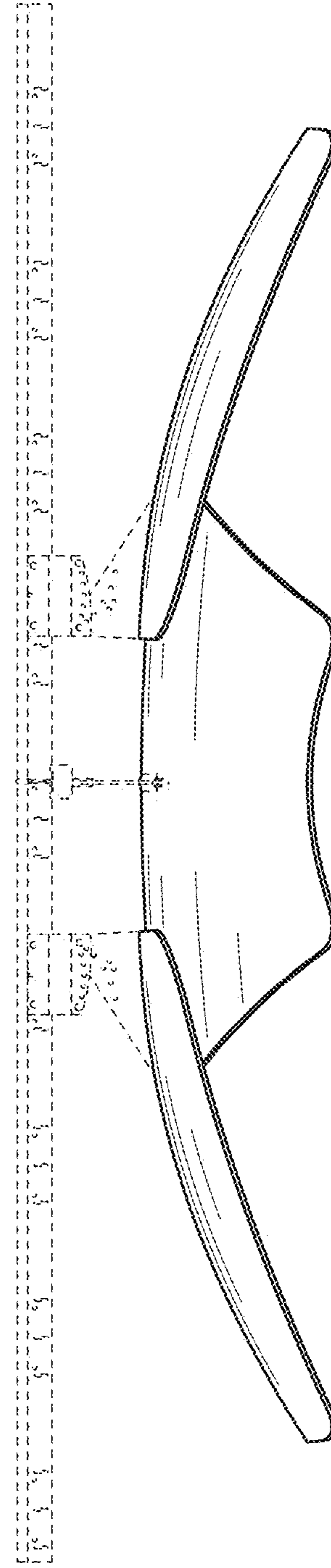


FIG. 6