

US00D969347S

(12) **United States Design Patent** (10) **Patent No.:** **US D969,347 S**  
**Maxfield et al.** (45) **Date of Patent:** **\*\* Nov. 8, 2022**

(54) **FLIP-UP LADDER**  
(71) Applicant: **Little Giant Ladder Systems, LLC**,  
Springville, UT (US)  
(72) Inventors: **B. Scott Maxfield**, Mapleton, UT (US);  
**N. Ryan Moss**, Mapleton, UT (US);  
**Brian B. Russell**, Saratoga Springs, UT  
(US)

4,182,431 A 1/1980 Wing et al.  
4,210,224 A 7/1980 Kummerlin et al.  
4,376,470 A 3/1983 Ashton  
4,407,045 A 10/1983 Boothe  
4,415,062 A 11/1983 Shaw  
4,560,030 A 12/1985 Mucelli  
4,566,150 A 1/1986 Boothe  
(Continued)

(73) Assignee: **LITTLE GIANT LADDER**  
**SYSTEMS, LLC**, Springville, UT (US)

CA 2881525 A1 9/2015  
KR 200146389 Y1 6/1999

(\*\*) Term: **15 Years**

**OTHER PUBLICATIONS**

(21) Appl. No.: **29/826,718**

International Search Report and Written Opinion dated Nov. 13,  
2019 for International Application No. PCT/US2019/036172.

(22) Filed: **Feb. 15, 2022**

(Continued)

**Related U.S. Application Data**

(62) Division of application No. 29/667,354, filed on Oct.  
19, 2018, now Pat. No. Des. 943,772.

*Primary Examiner* — Gino Colan

(51) **LOC (13) Cl.** ..... **25-04**

(74) *Attorney, Agent, or Firm* — Dorsey & Whitney LLP

(52) **U.S. Cl.**

(57) **CLAIM**

USPC ..... **D25/64**

The ornamental design for a flip-up ladder, as shown and  
described.

(58) **Field of Classification Search**

USPC ..... D25/62-65, 68, 69; 248/210; 182/165,  
182/22, 180.1, 124, 115, 173, 23  
CPC ..... E06C 1/393; E06C 1/18; E06C 1/39  
See application file for complete search history.

**DESCRIPTION**

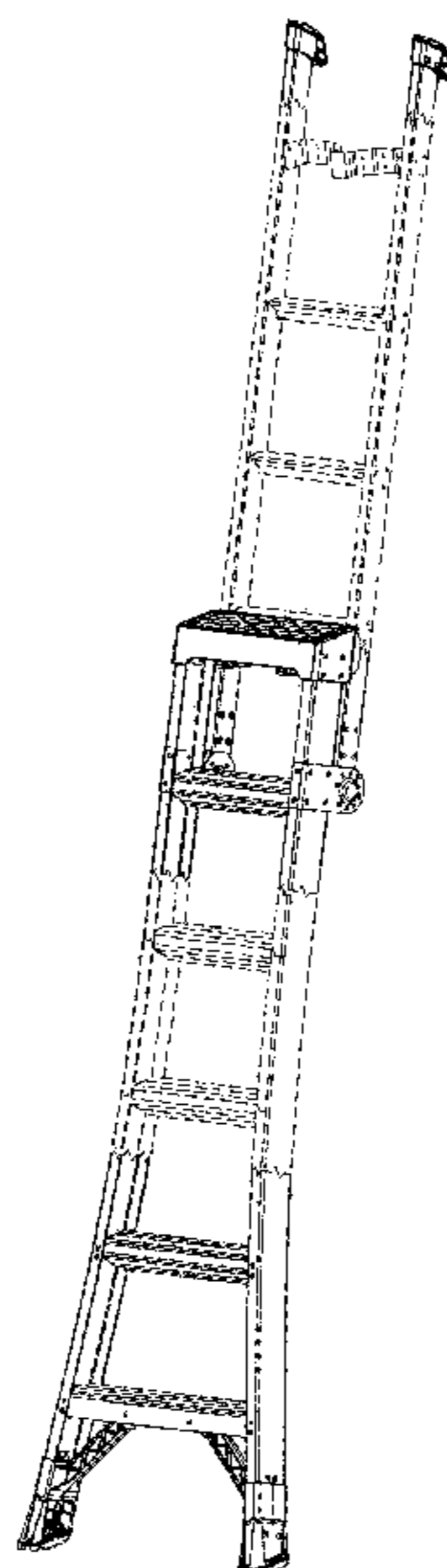
FIG. 1 is a perspective view of a flip-up ladder;  
FIG. 2 is a front view of the flip-up ladder shown in FIG. 1;  
FIG. 3 is a rear view of the flip-up ladder shown in FIG. 1;  
FIG. 4 is a right side view of the flip-up ladder shown in FIG.  
1;  
FIG. 5 is left side view of the flip-up ladder shown in FIG.  
1; and,  
FIG. 6 is a top view of the flip-up ladder shown in FIG. 1.  
The broken lines shown in the figures are for the purpose of  
illustrating boundaries and form no part of the claimed  
design.

(56) **References Cited**

**U.S. PATENT DOCUMENTS**

507,784 A 10/1893 Congdon  
1,024,380 A 4/1912 Vierheller  
2,316,939 A 4/1943 De Luca  
2,639,853 A 5/1953 Pierce  
2,899,008 A 8/1959 Larson  
2,982,373 A 5/1961 Henry  
4,155,422 A 5/1979 Larson et al.

**1 Claim, 6 Drawing Sheets**



(56)

References Cited

U.S. PATENT DOCUMENTS

4,593,790 A 6/1986 Brewer et al.  
 4,666,327 A 5/1987 Su  
 4,666,328 A 5/1987 Ryu  
 4,697,305 A 10/1987 Boothe  
 D310,884 S 9/1990 Patton et al.  
 5,228,511 A 7/1993 Boquel et al.  
 D340,773 S 10/1993 Bartnicki et al.  
 5,279,387 A 1/1994 Swiderski et al.  
 5,511,285 A 4/1996 Bush et al.  
 5,573,081 A 11/1996 Bartnicki et al.  
 D388,883 S 1/1998 Thivierge et al.  
 5,850,894 A 12/1998 Busenhart  
 5,937,968 A 8/1999 Gibson et al.  
 6,220,389 B1 4/2001 Krause  
 6,343,406 B1 2/2002 Yeh  
 6,443,260 B1 9/2002 Katz et al.  
 6,711,780 B2 3/2004 Lee  
 6,866,117 B2 3/2005 Moss  
 7,032,711 B1 4/2006 Katz et al.  
 D549,356 S 8/2007 Gibson  
 D576,290 S \* 9/2008 Meyers ..... D25/64  
 D576,291 S 9/2008 Latimer  
 D597,685 S 8/2009 Gibson et al.  
 7,575,097 B2 8/2009 Sheridan et al.  
 7,753,170 B1 7/2010 Gibson  
 7,886,872 B2 \* 2/2011 Astor ..... E06C 7/14  
 182/129  
 8,186,481 B2 5/2012 Moss et al.  
 8,210,313 B2 7/2012 Astor  
 8,251,180 B1 8/2012 Paige  
 9,016,434 B2 4/2015 Moss et al.  
 D764,073 S 8/2016 Wang  
 D766,461 S 9/2016 Peterson et al.  
 D766,462 S 9/2016 Peterson et al.  
 D766,463 S 9/2016 Peterson et al.  
 D819,834 S 6/2018 Fiedeler  
 10,030,448 B2 7/2018 Miller  
 10,087,682 B2 10/2018 Pfeifer  
 10,138,680 B2 11/2018 Williams et al.  
 D835,807 S 12/2018 Lentine et al.  
 D840,055 S 2/2019 Jeff  
 10,487,576 B2 11/2019 Ballard et al.  
 10,487,578 B2 11/2019 Smith et al.  
 10,590,703 B2 3/2020 Parker et al.  
 10,597,941 B2 \* 3/2020 Moss ..... E06C 1/16  
 10,612,305 B2 4/2020 Mora et al.

D885,607 S 5/2020 Miner et al.  
 10,648,234 B2 \* 5/2020 Skubic ..... E06C 1/393  
 10,871,031 B1 12/2020 Moss et al.  
 D911,555 S 2/2021 Maxfield et al.  
 D912,847 S 3/2021 Maxfield et al.  
 D912,848 S 3/2021 Maxfield et al.  
 D920,541 S \* 5/2021 Mittanck ..... D25/64  
 D921,224 S \* 6/2021 Mittanck ..... D25/64  
 D935,054 S \* 11/2021 Maxfield ..... D25/64  
 D943,772 S \* 2/2022 Maxfield ..... D25/64  
 D944,417 S 2/2022 B. et al.  
 11,274,494 B2 3/2022 Leng  
 2003/0188923 A1 10/2003 Moss  
 2005/0173194 A1 8/2005 Pate et al.  
 2006/0060423 A1 3/2006 Astor  
 2008/0107529 A1 5/2008 Friedman  
 2010/0200331 A1 8/2010 Hager  
 2011/0024232 A1 2/2011 Leng  
 2012/0097481 A1 4/2012 Schienke et al.  
 2016/0076304 A1 3/2016 Smith et al.  
 2016/0348434 A1 12/2016 Williams et al.  
 2017/0130530 A1 5/2017 Lawler et al.  
 2017/0152710 A1 6/2017 Miller  
 2017/0356244 A1 12/2017 Peterson et al.  
 2018/0002982 A1 1/2018 Dressel  
 2018/0171714 A1 6/2018 Dings  
 2018/0187489 A1 7/2018 Parker et al.  
 2018/0230746 A1 8/2018 Maxfield et al.  
 2018/0258698 A1 9/2018 Minock  
 2018/0298691 A1 10/2018 Cook et al.  
 2019/0376341 A1 12/2019 Maxfield et al.  
 2020/0048962 A1 2/2020 Moreno Moncada  
 2021/0246725 A1 8/2021 Wernberg et al.

OTHER PUBLICATIONS

International Search Report and Written Opinion for International Application No. PCT/US2020/015074 dated Apr. 1, 2020.  
 U.S. Appl. No. 29/667,356, filed Oct. 19, 2018.  
 Design U.S. Appl. No. 29/667,352, filed Oct. 19, 2018.  
 Design U.S. Appl. No. 29/667,354, filed Oct. 19, 2018.  
 Design U.S. Appl. No. 29/667,357, filed Oct. 19, 2018.  
 Design U.S. Appl. No. 29/679,726, filed Feb. 8, 2019.  
 Design U.S. Appl. No. 29/679,733, filed Feb. 8, 2019.  
 U.S. Appl. No. 62/514,348, filed Jun. 2, 2017.  
 U.S. Appl. No. 62/732,997, filed Sep. 18, 2018.

\* cited by examiner

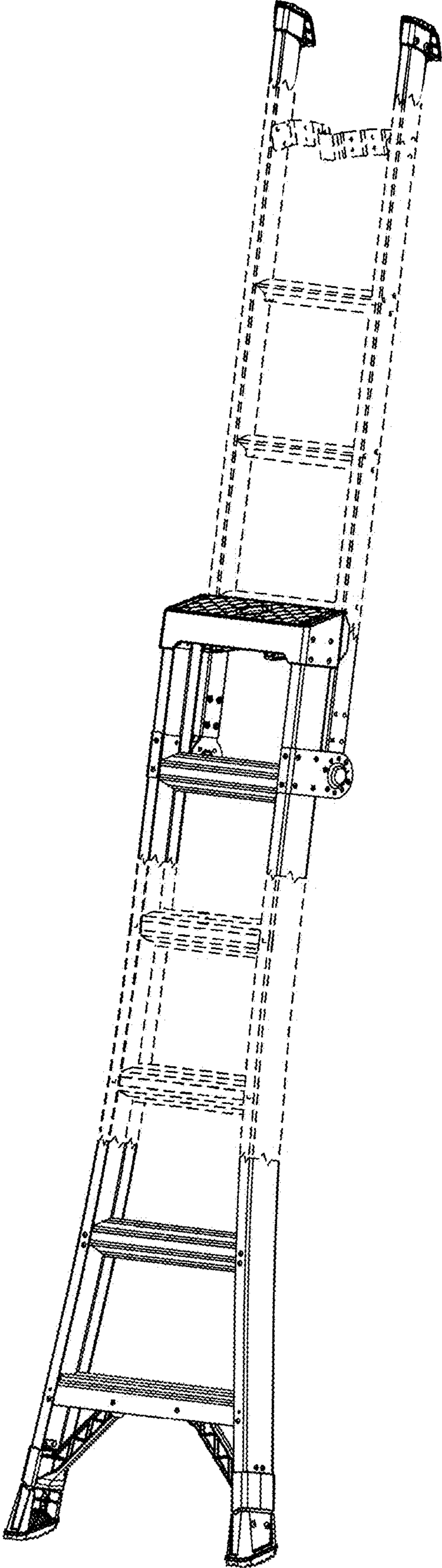


FIG. 1

FIG. 2

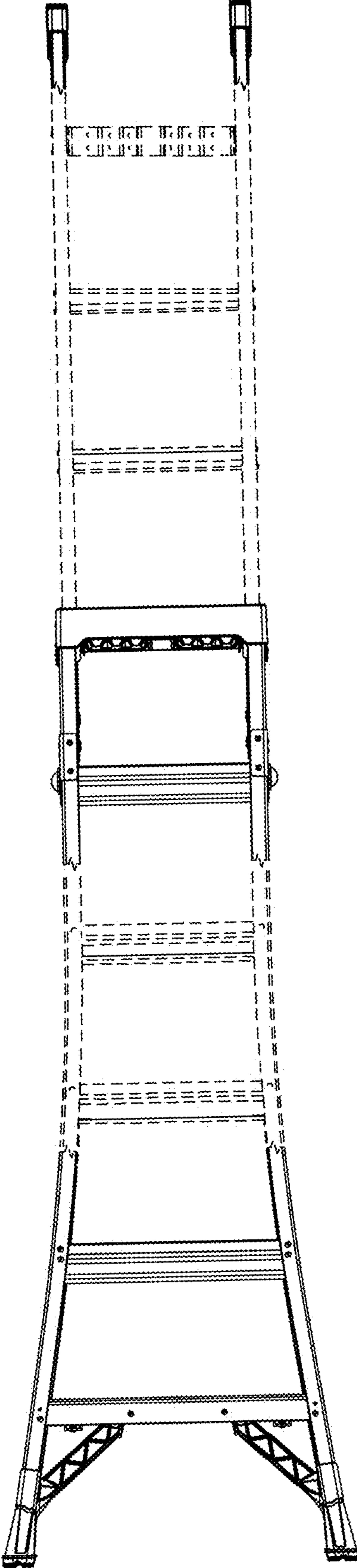
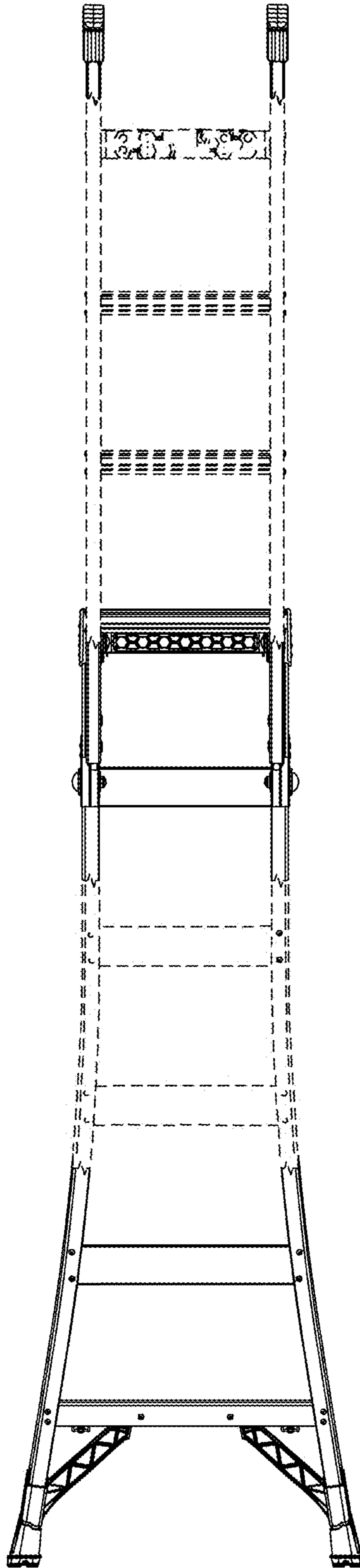


FIG. 3



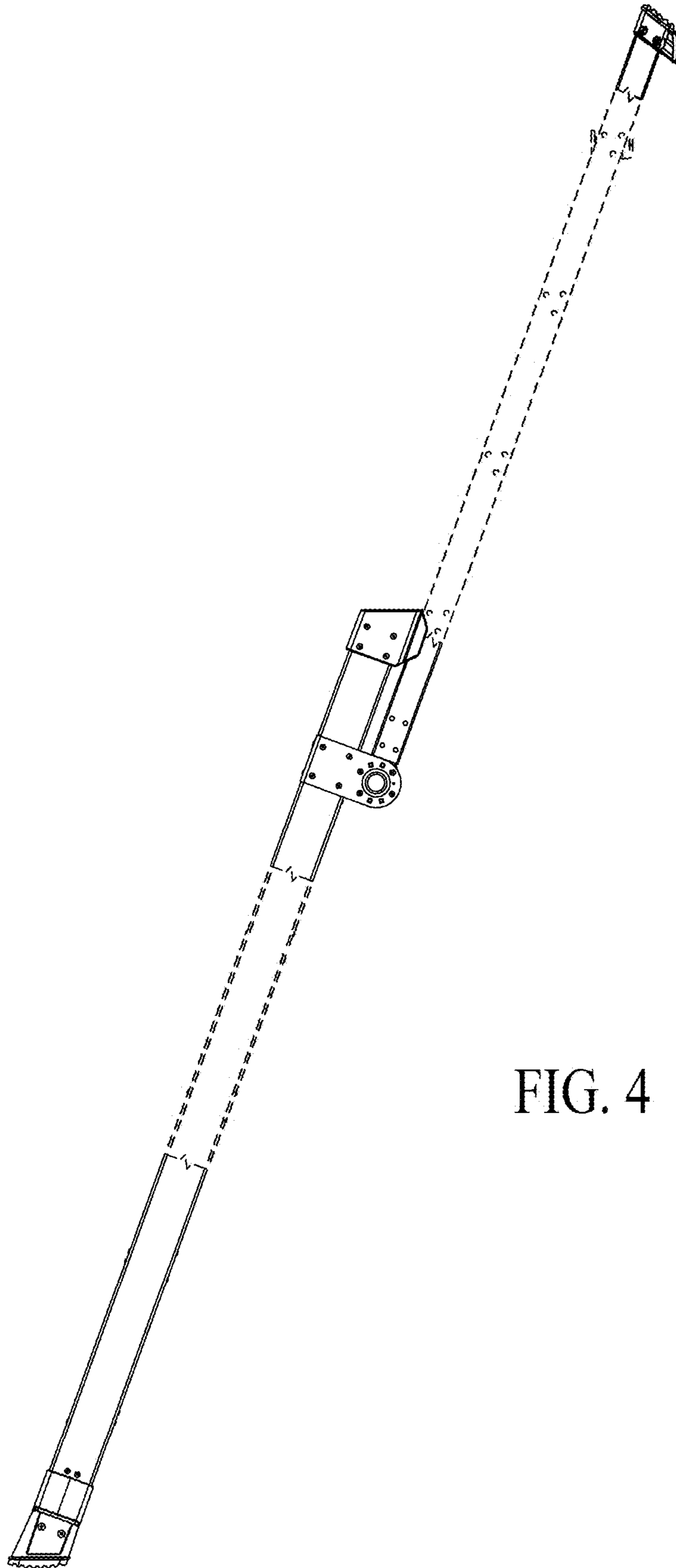


FIG. 4

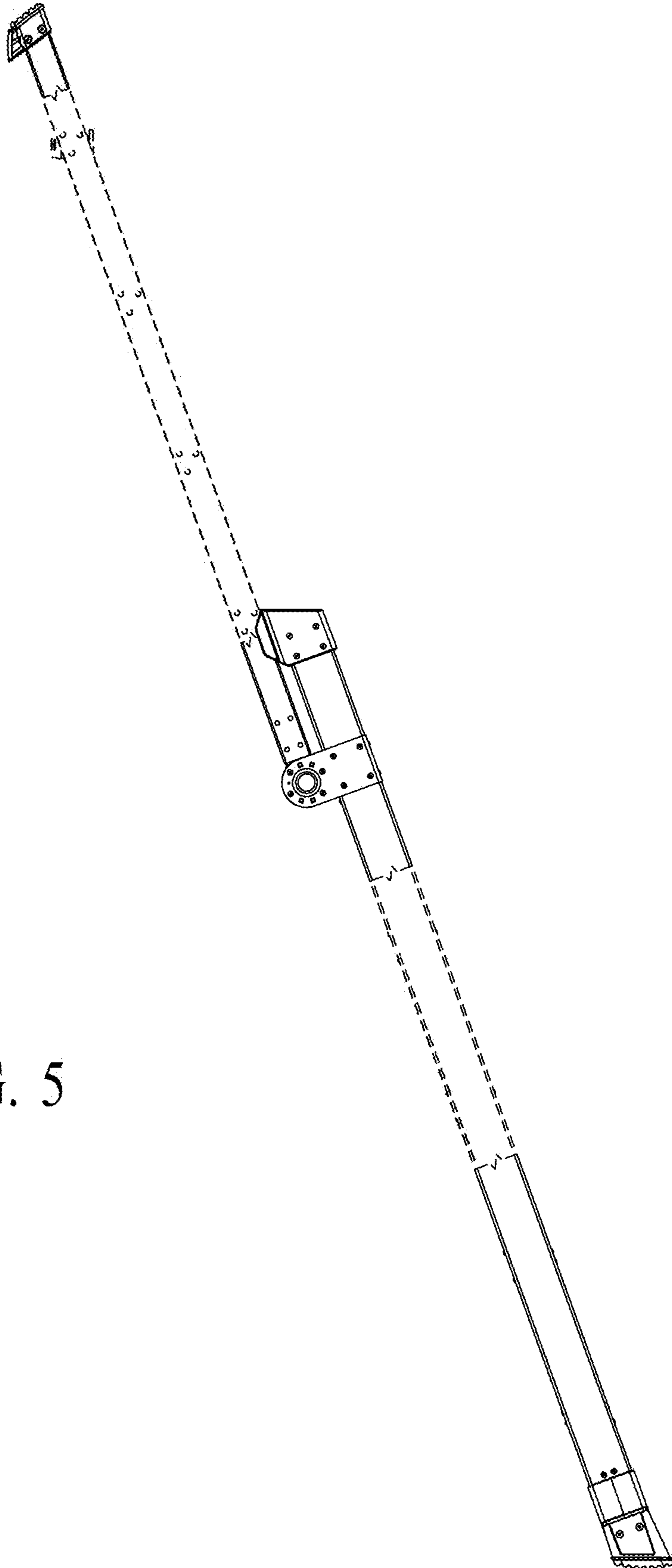


FIG. 5

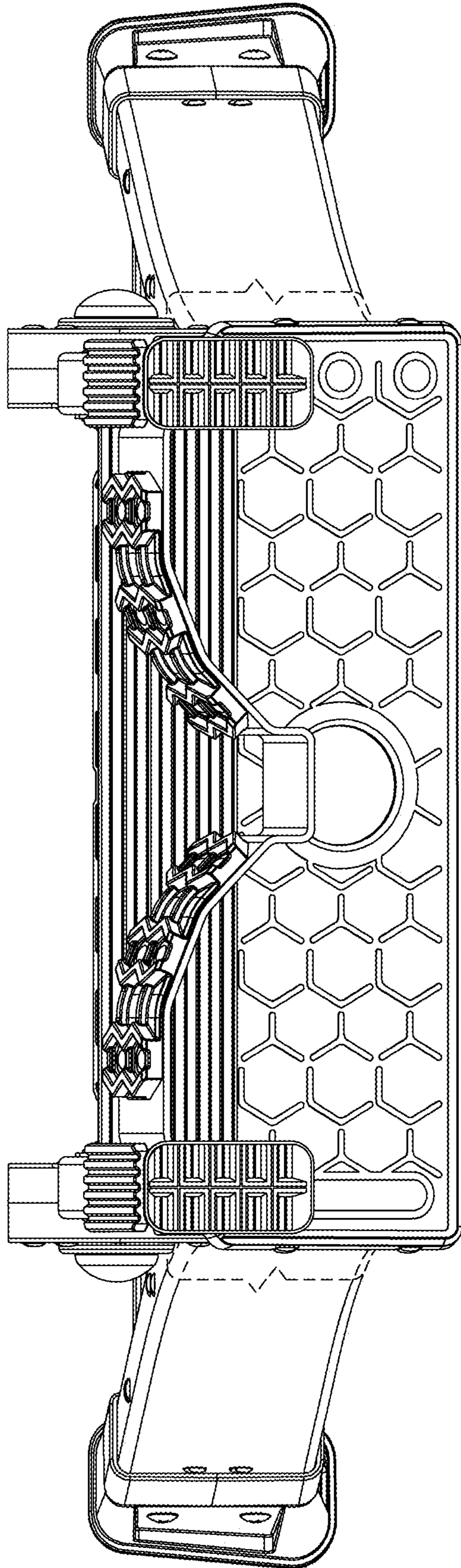


FIG. 6