

US00D969344S

(12) **United States Design Patent**
Kim et al.

(10) **Patent No.:** **US D969,344 S**

(45) **Date of Patent:** **** Nov. 8, 2022**

(54) **PLASMA MONITORING FLOW CELL**

(71) Applicant: **DONGWOO FINE-CHEM CO., LTD.**, Jeollabuk-do (KR)

(72) Inventors: **Young-Hoon Kim**, Gyeonggi-do (KR); **Su-Yeon Oh**, Gyeonggi-do (KR); **Jeong Min Choi**, Gyeonggi-do (KR)

(73) Assignee: **DONGWOO FINE-CHEM CO., LTD.**, Jeollabuk-Do (KR)

(**) Term: **15 Years**

(21) Appl. No.: **29/779,568**

(22) Filed: **Apr. 20, 2021**

(30) **Foreign Application Priority Data**

Oct. 20, 2020 (KR) 30-2020-0050148

(51) **LOC (13) Cl.** **24-01**

(52) **U.S. Cl.**
USPC **D24/232**

(58) **Field of Classification Search**
USPC D24/107, 186, 216, 232, 233, 234, 227, D24/231; D10/81
CPC G01N 15/05; G01N 15/1436; G01N 15/1429; G01N 2015/0693; G01N 2015/0038; G01N 2015/1486
See application file for complete search history.

(56) **References Cited**

U.S. PATENT DOCUMENTS

D415,839 S * 10/1999 Huber G01N 21/03
D24/224
D791,963 S * 7/2017 Orcutt D24/216

D925,381 S * 7/2021 Nakatsukasa D10/81
2021/0302300 A1* 9/2021 Cooksey G01N 15/1436
2022/0120659 A1* 4/2022 Kim G01N 21/718

* cited by examiner

Primary Examiner — Anhdao Doan

(74) *Attorney, Agent, or Firm* — The PL Law Group, PLLC

(57) **CLAIM**

The ornamental design for a plasma monitoring flow cell, as shown and described.

DESCRIPTION

FIG. 1 is a front perspective view of a plasma monitoring flow cell showing our new design;
FIG. 2 is a front view thereof;
FIG. 3 is a rear view thereof;
FIG. 4 is a left side view thereof;
FIG. 5 is a right side view thereof;
FIG. 6 is a top view thereof;
FIG. 7 is a bottom view thereof;
FIG. 8 is another front perspective view thereof;
FIG. 9 is a rear perspective view thereof;
FIG. 10 is a cross-sectional view taken along line I-I' in FIG. 8; and,
FIG. 11 is a cross-sectional view taken along line II-II' in FIG. 9.

1 Claim, 10 Drawing Sheets

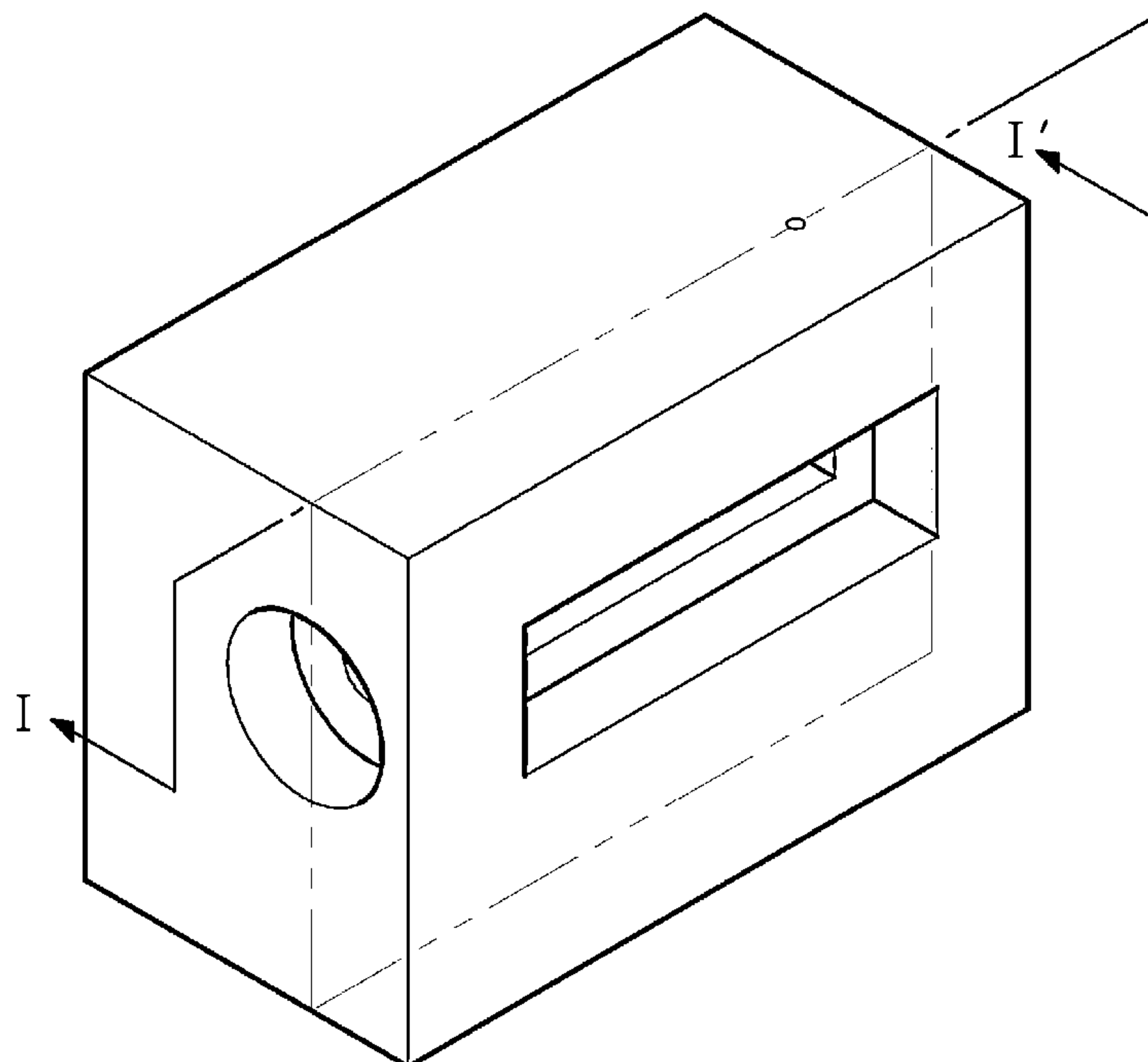


FIG. 1

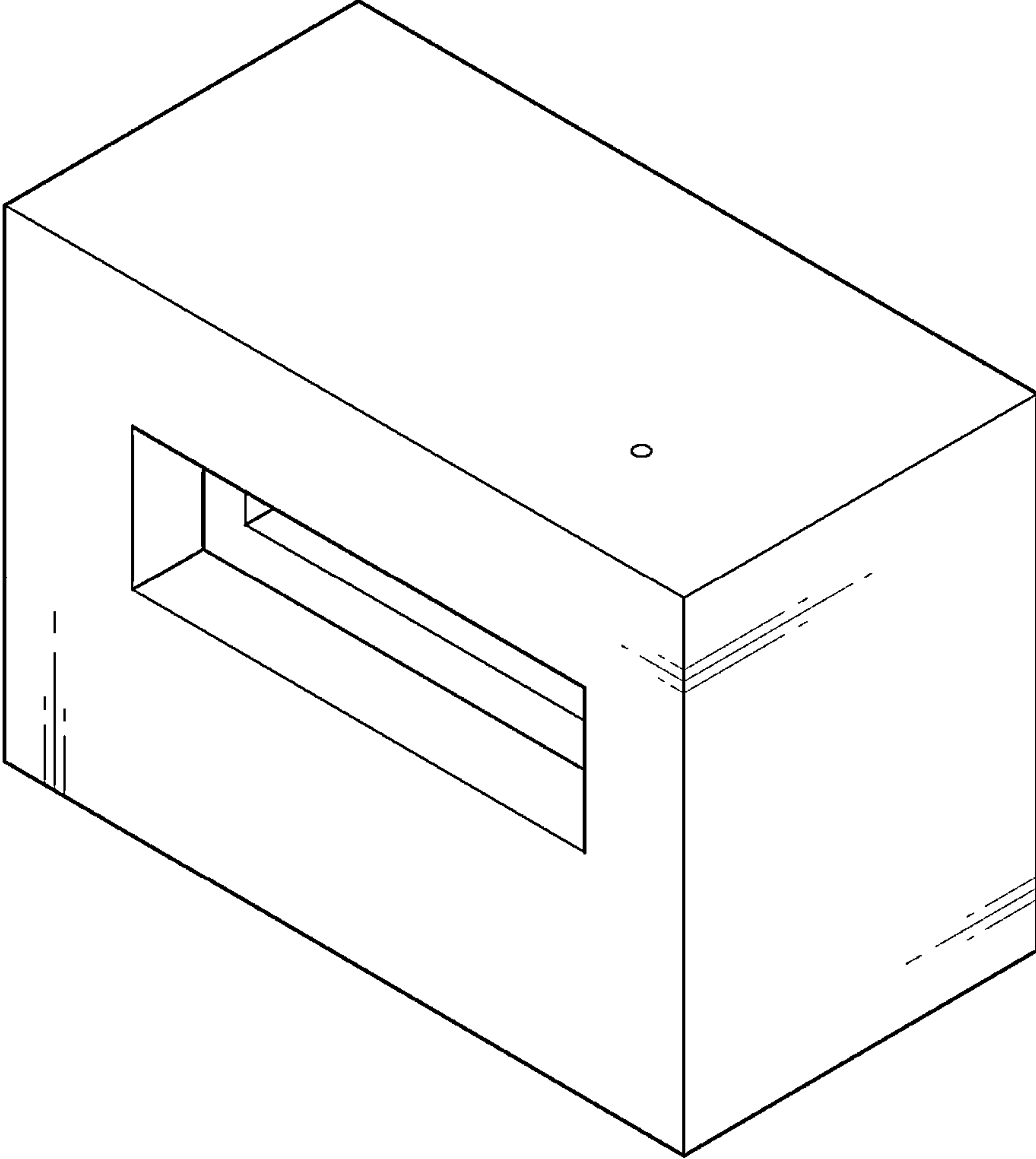


FIG. 2

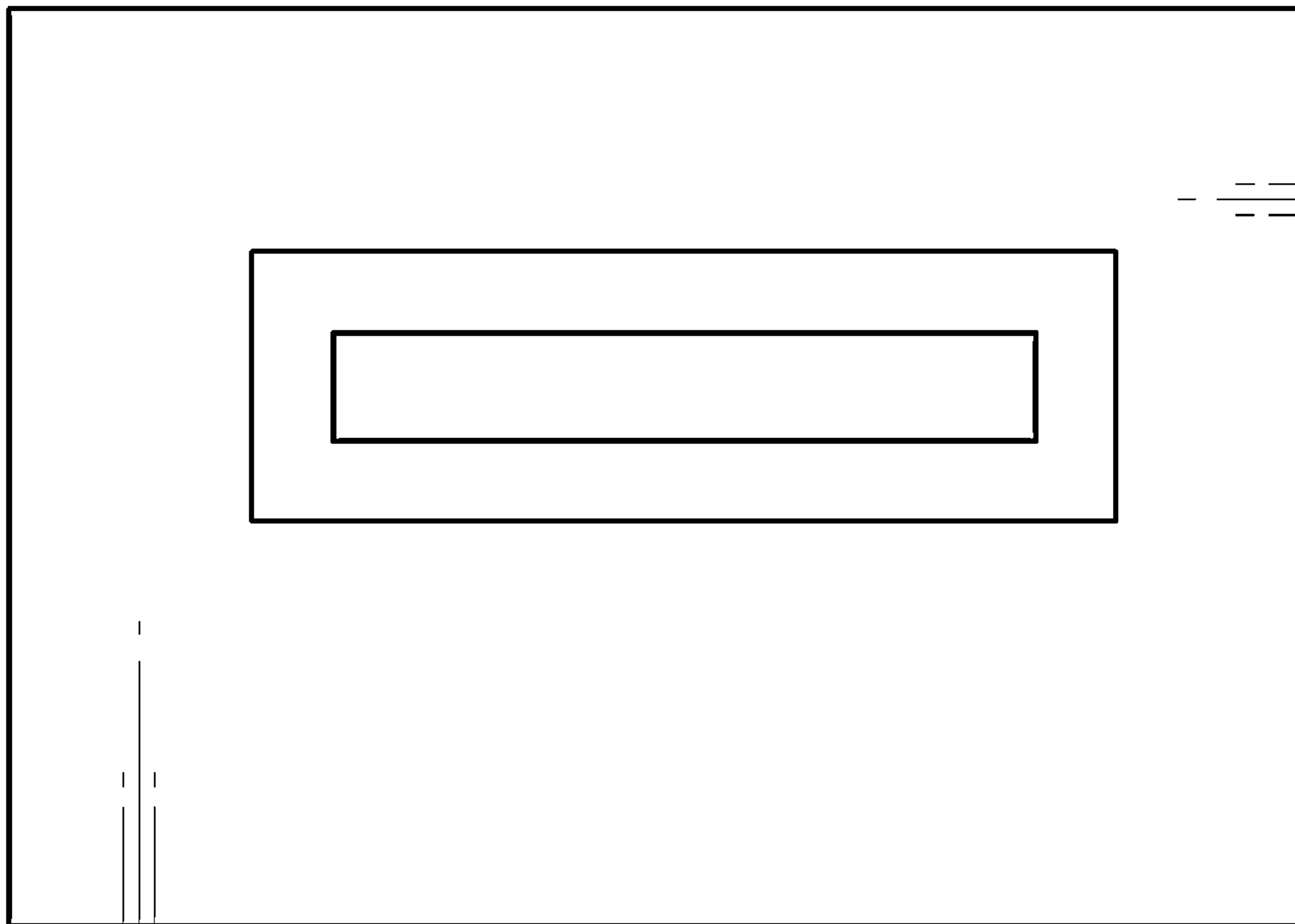


FIG. 3

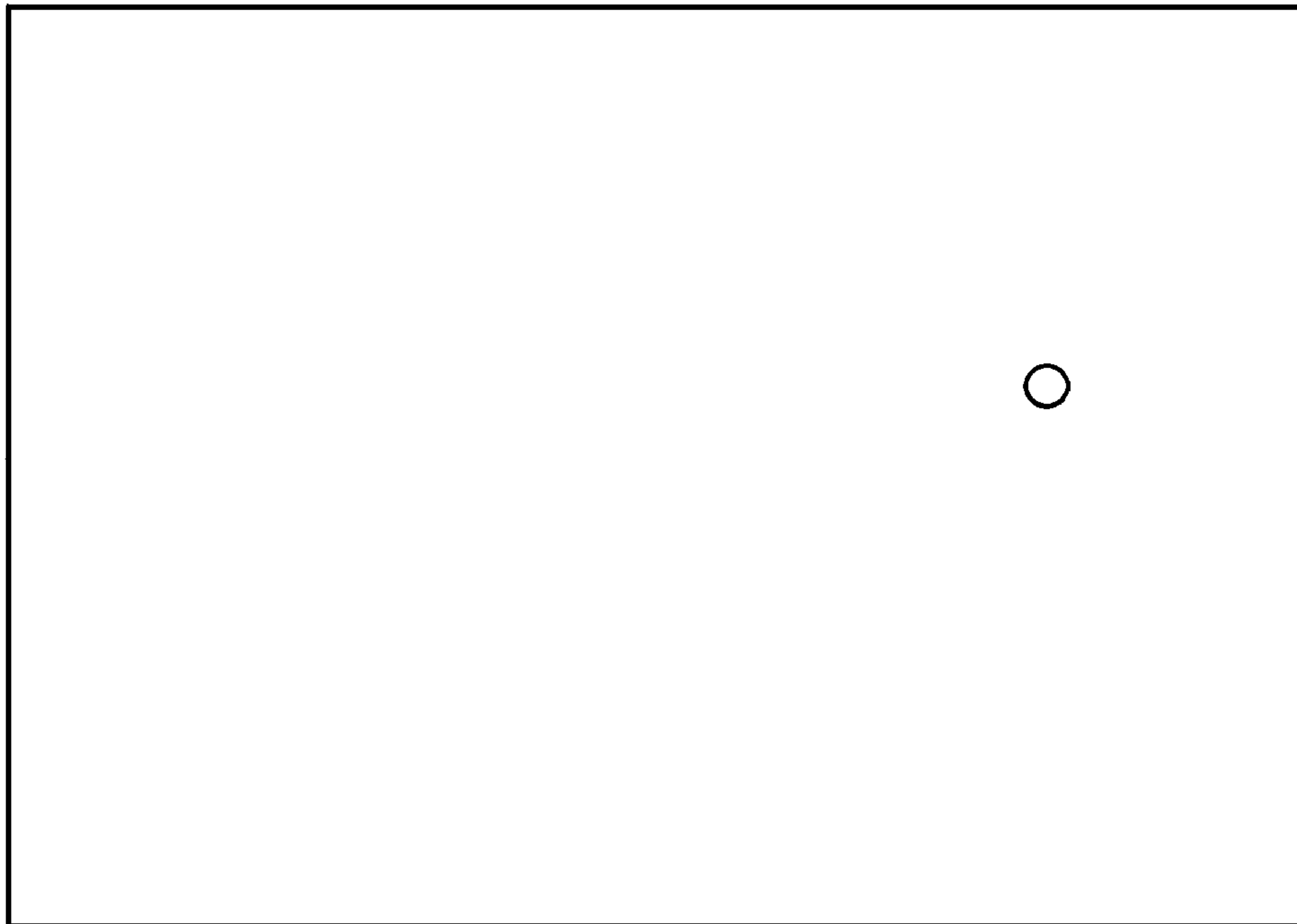


FIG. 4

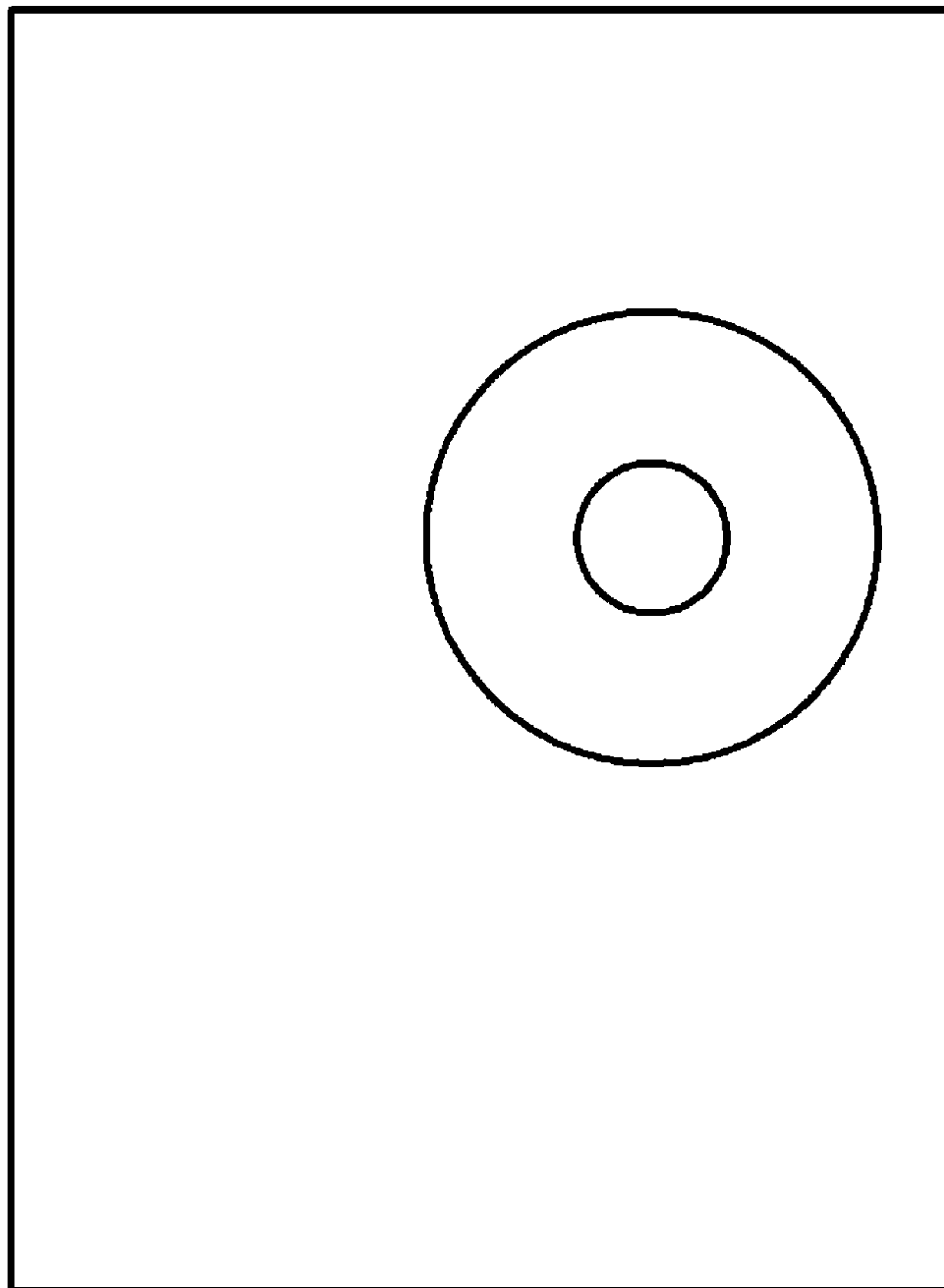


FIG. 5

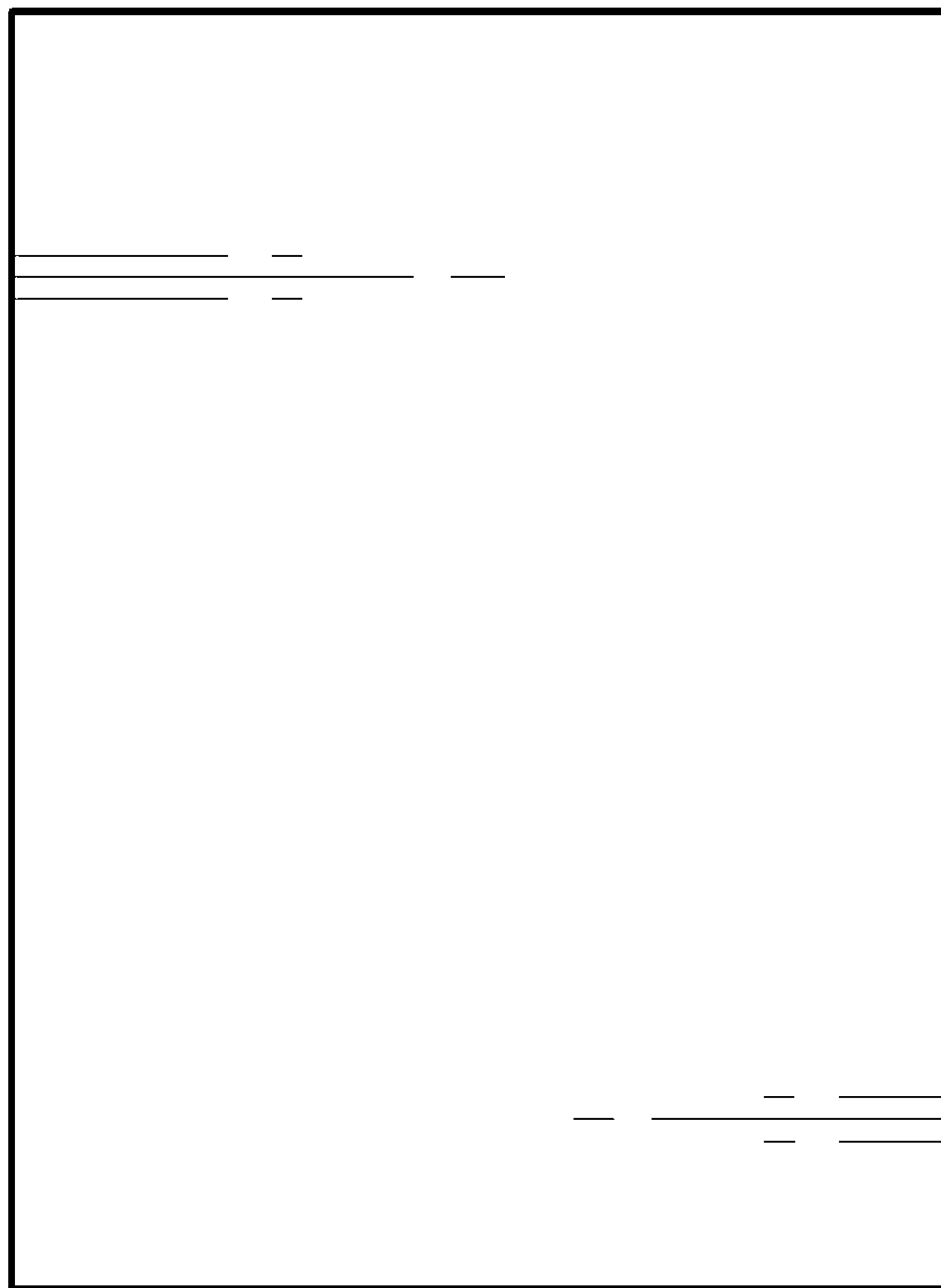


FIG. 6

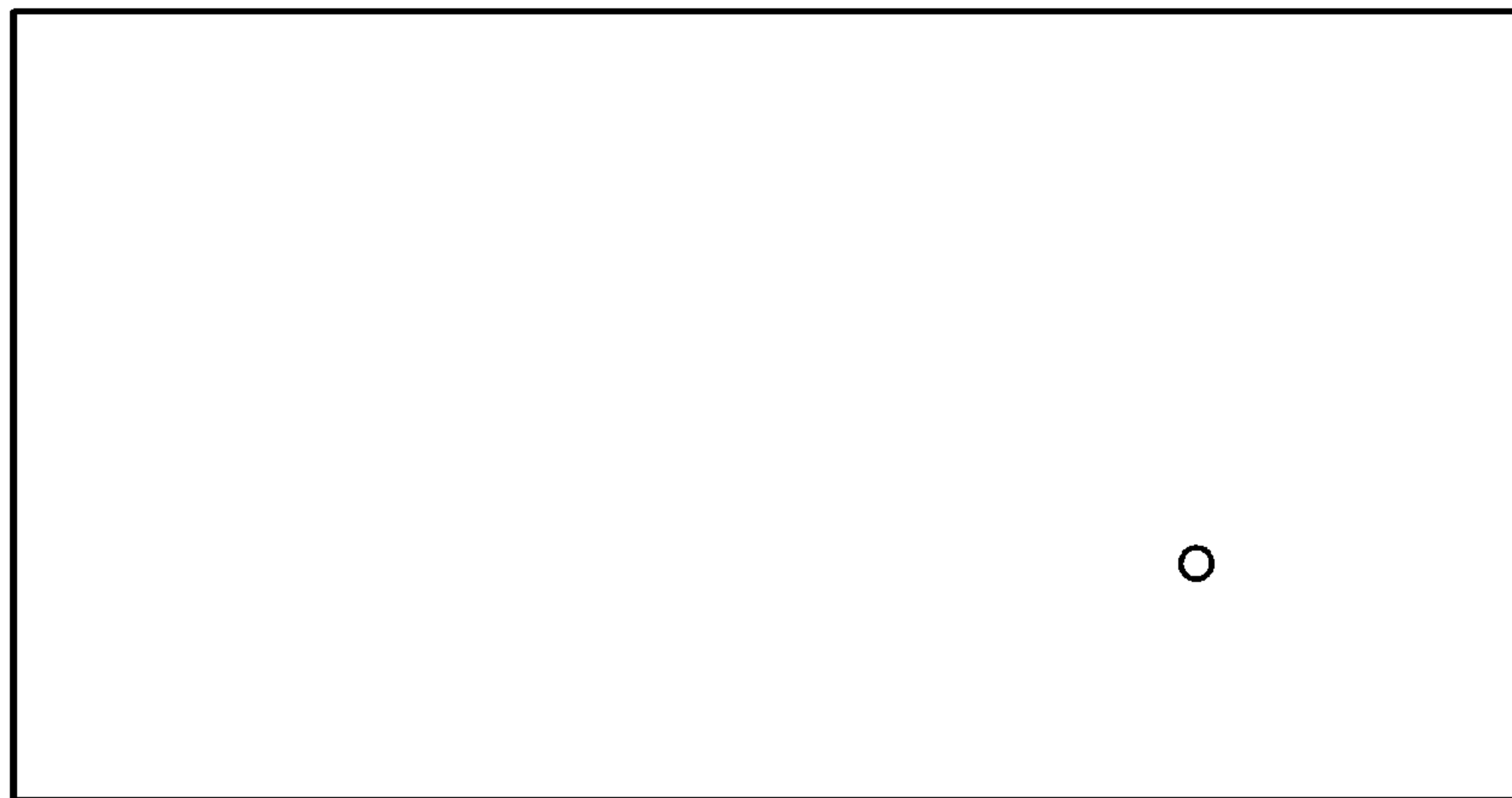


FIG. 7



FIG. 8

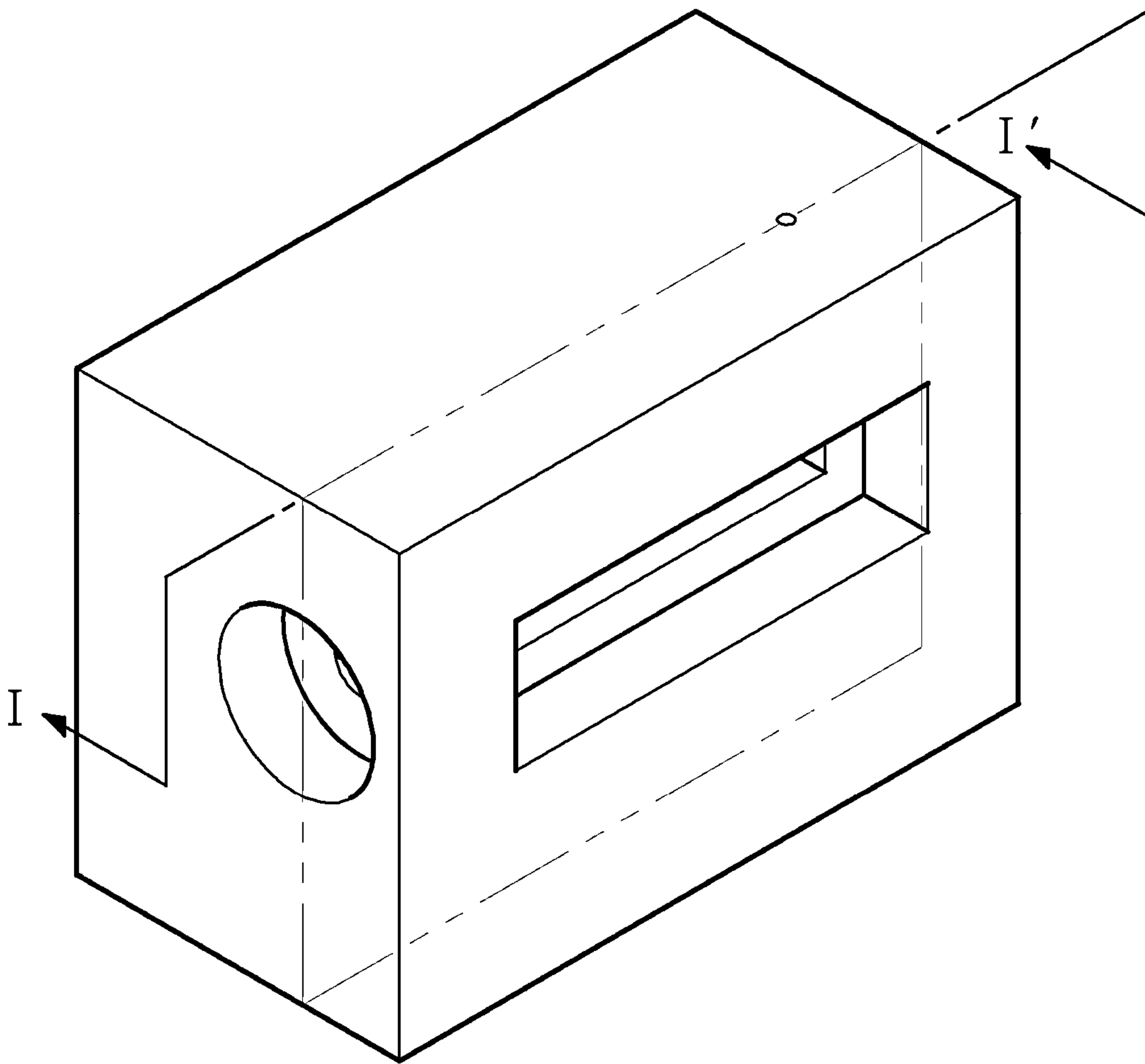


FIG. 9

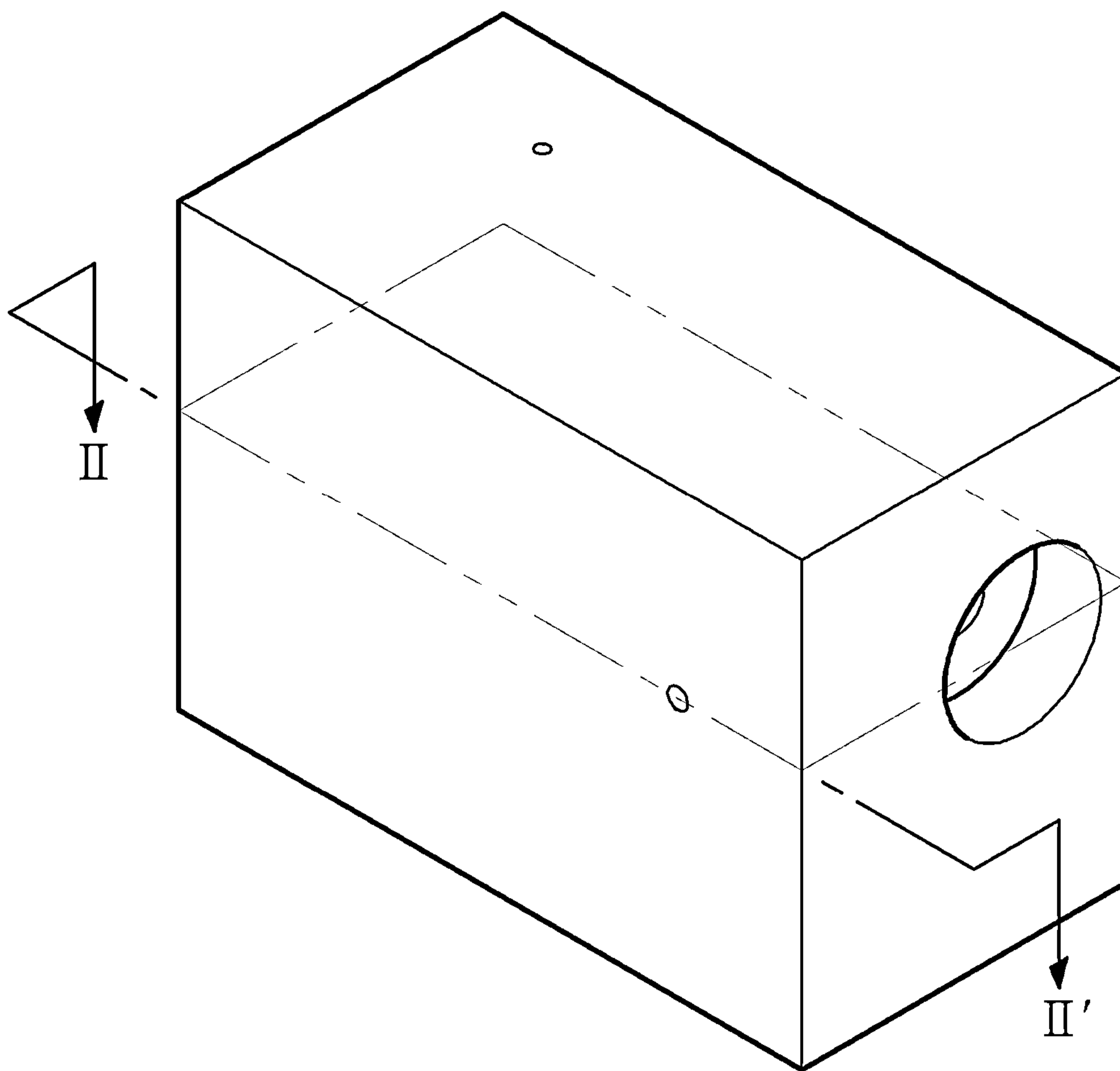


FIG. 10

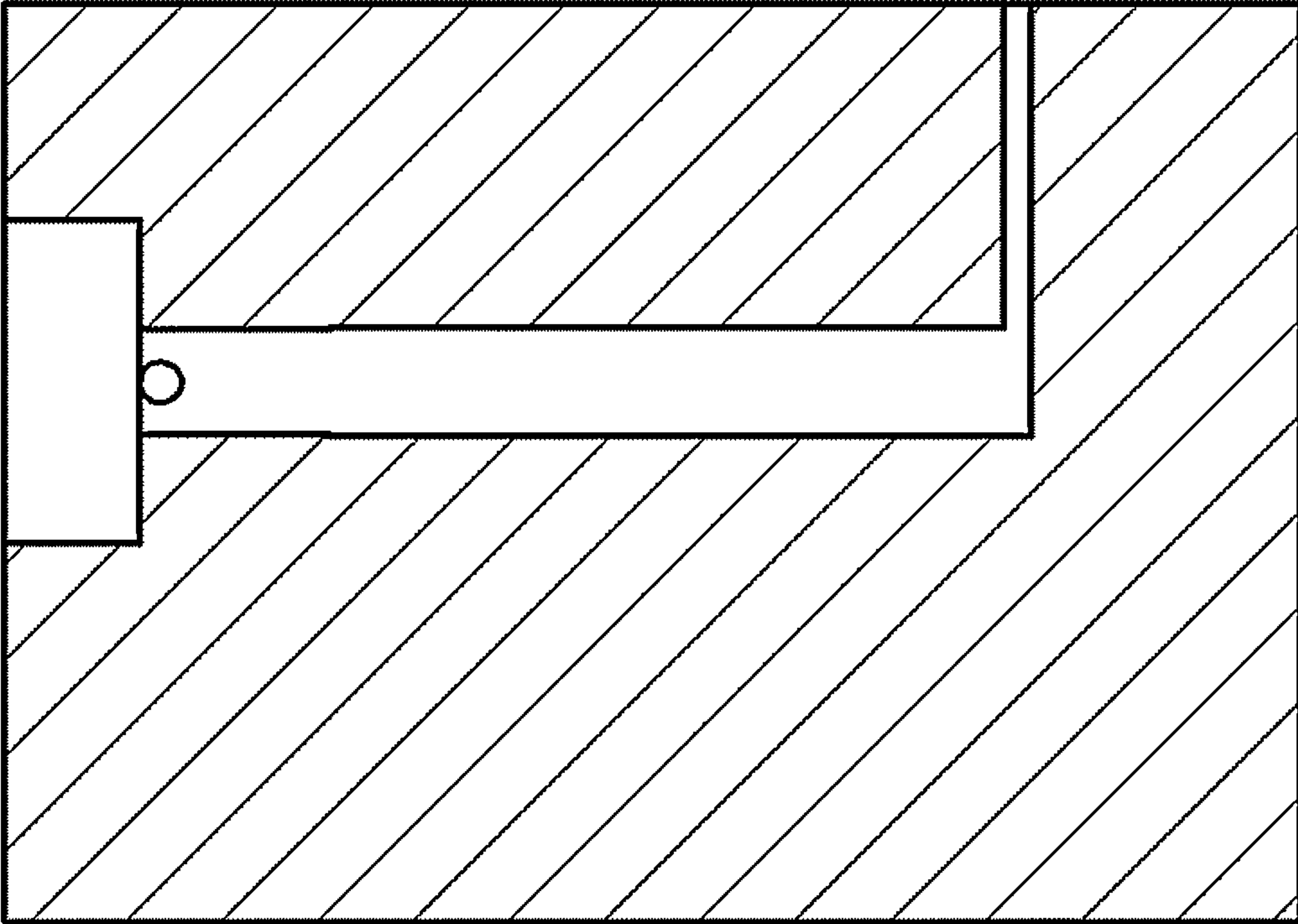


FIG. 11

