



US00D969341S

(12) **United States Design Patent**
Johnson

(10) **Patent No.:** **US D969,341 S**

(45) **Date of Patent:** **** Nov. 8, 2022**

(54) **VALVE BODY OF A VALVE FOR A SAMPLE COLLECTION DEVICE**

(71) Applicant: **SPECTRUM SOLUTIONS, LLC**,
Draper, UT (US)

(72) Inventor: **Neil Jeremy Johnson**, Riverton, UT
(US)

(73) Assignee: **Spectrum Solutions L.L.C.**, Draper,
UT (US)

(**) Term: **15 Years**

(21) Appl. No.: **29/773,538**

(22) Filed: **Mar. 10, 2021**

Related U.S. Application Data

(62) Division of application No. 29/698,615, filed on Jul.
18, 2019, now Pat. No. Des. 930,184.

(51) **LOC (13) Cl.** **24-01**

(52) **U.S. Cl.**
USPC **D24/224**

(58) **Field of Classification Search**
USPC D24/107, 121, 129, 130, 186, 216,
D24/223–227, 231, 232; D10/81
CPC B01L 3/5027; B01L 3/502707; B01L
2300/0809; B01L 2300/0819; B01L
2300/0822; B01L 2300/0825; B01L
2200/10; B01L 3/5021; B01L 3/5028;
B01L 3/52; B01L 3/563; B01L 3/565;
B01L 3/567; B01L 2300/024; B01L
2300/049; B01L 2300/0832
See application file for complete search history.

(56) **References Cited**

U.S. PATENT DOCUMENTS

D315,680 S 3/1991 Baxter
D480,640 S 10/2003 Oyama et al.

D545,964 S 7/2007 Blanco
D656,236 S 3/2012 Marechal et al.
D687,145 S * 7/2013 Granberg D24/129
D733,291 S 6/2015 Wang
D743,044 S * 11/2015 Jackson D24/129
D743,571 S 11/2015 Jackson et al.
D755,957 S 5/2016 Larson
D773,068 S 11/2016 Curry et al.
D794,781 S * 8/2017 Gilbert D24/129
10,064,606 B1 9/2018 Williams et al.
D867,587 S 11/2019 Holtz et al.
10,525,473 B2 * 1/2020 Williams B01L 3/502
10,799,422 B2 10/2020 Williams et al.
D917,691 S * 4/2021 Hamilton A61B 5/097
D24/224

(Continued)

Primary Examiner — Anhdao Doan

(74) *Attorney, Agent, or Firm* — Workman Nydegger

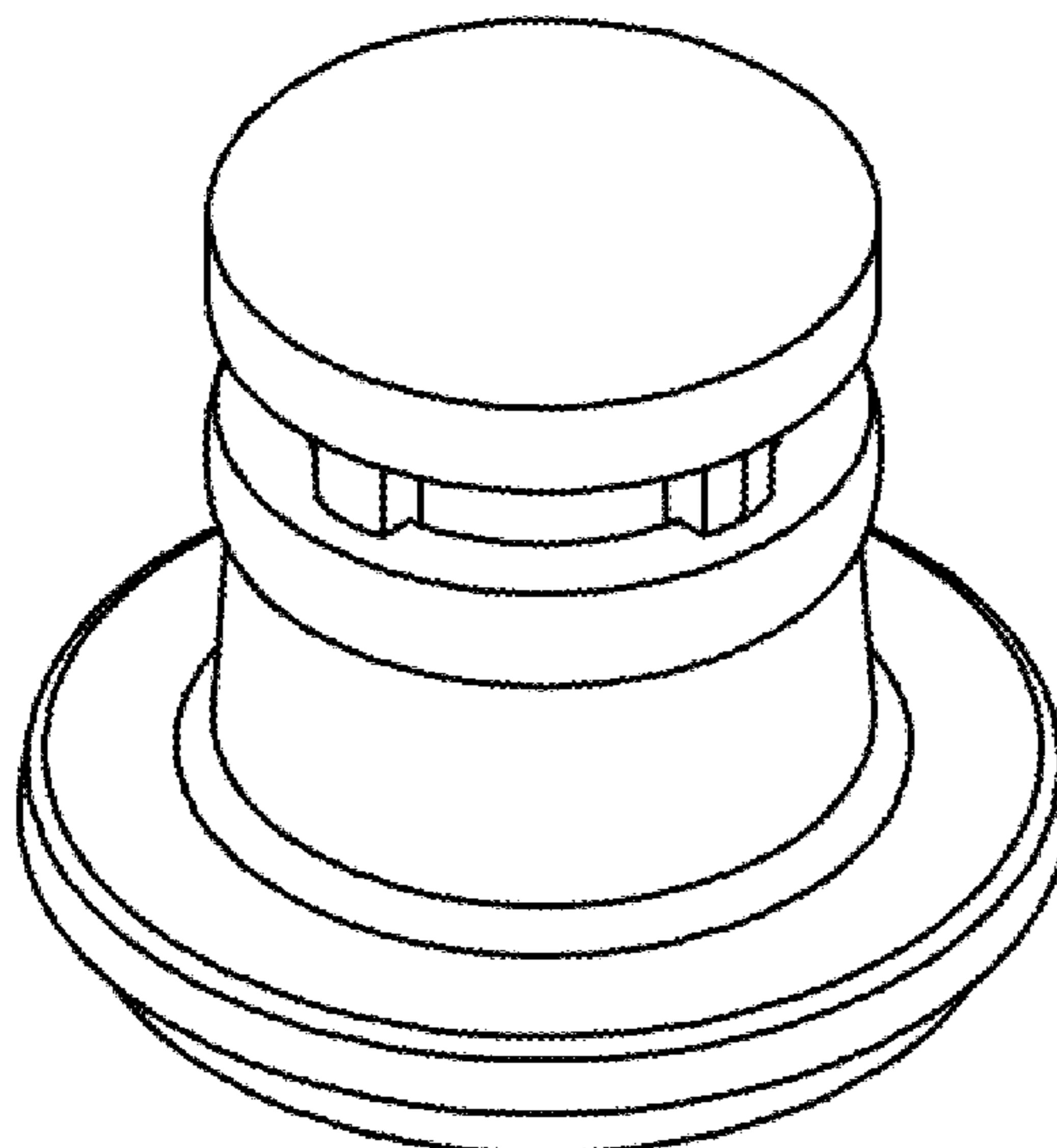
(57) **CLAIM**

The ornamental design for a valve body of a valve for a sample collection device, as shown and described.

DESCRIPTION

FIG. 1 is a cross-sectional view of a valve body of a valve for a sample collection device taken along line 1-1 of FIG. 2 shown within the environment of a sample collection device;
FIG. 2 is a front side view of the valve body of a valve for a sample collection device with the environment removed for ease of illustration;
FIG. 3 is a top perspective view thereof;
FIG. 4 is a bottom perspective view thereof;
FIG. 5 is a top plan view thereof; and,
FIG. 6 is a bottom plan view thereof.
In FIG. 1, the broken lines depicting the sample collection device represent environmental structure; the broken lines and the circular border form no part of the claimed design.

1 Claim, 1 Drawing Sheet



(56)

References Cited

U.S. PATENT DOCUMENTS

D922,572	S *	6/2021	Bertrand	A61B 90/06 D24/129
D923,813	S *	6/2021	Livingston	D24/224
D924,430	S *	7/2021	Johnson	D24/224
D930,184	S *	9/2021	Johnson	D24/224
11,284,867	B2 *	3/2022	Johnson	B01L 3/50825
2014/0174212	A1 *	6/2014	Lundkvist	B01L 3/52 73/864.91
2015/0056716	A1	2/2015	Oyler et al.	
2015/0190810	A1 *	7/2015	Glezer	B01L 3/502 436/180
2017/0072393	A1	3/2017	Jackson et al.	
2019/0151842	A1	5/2019	Williams et al.	
2020/0156056	A1	5/2020	Williams et al.	
2020/0254460	A1	8/2020	Blair et al.	
2020/0397418	A1	12/2020	Williams et al.	

* cited by examiner

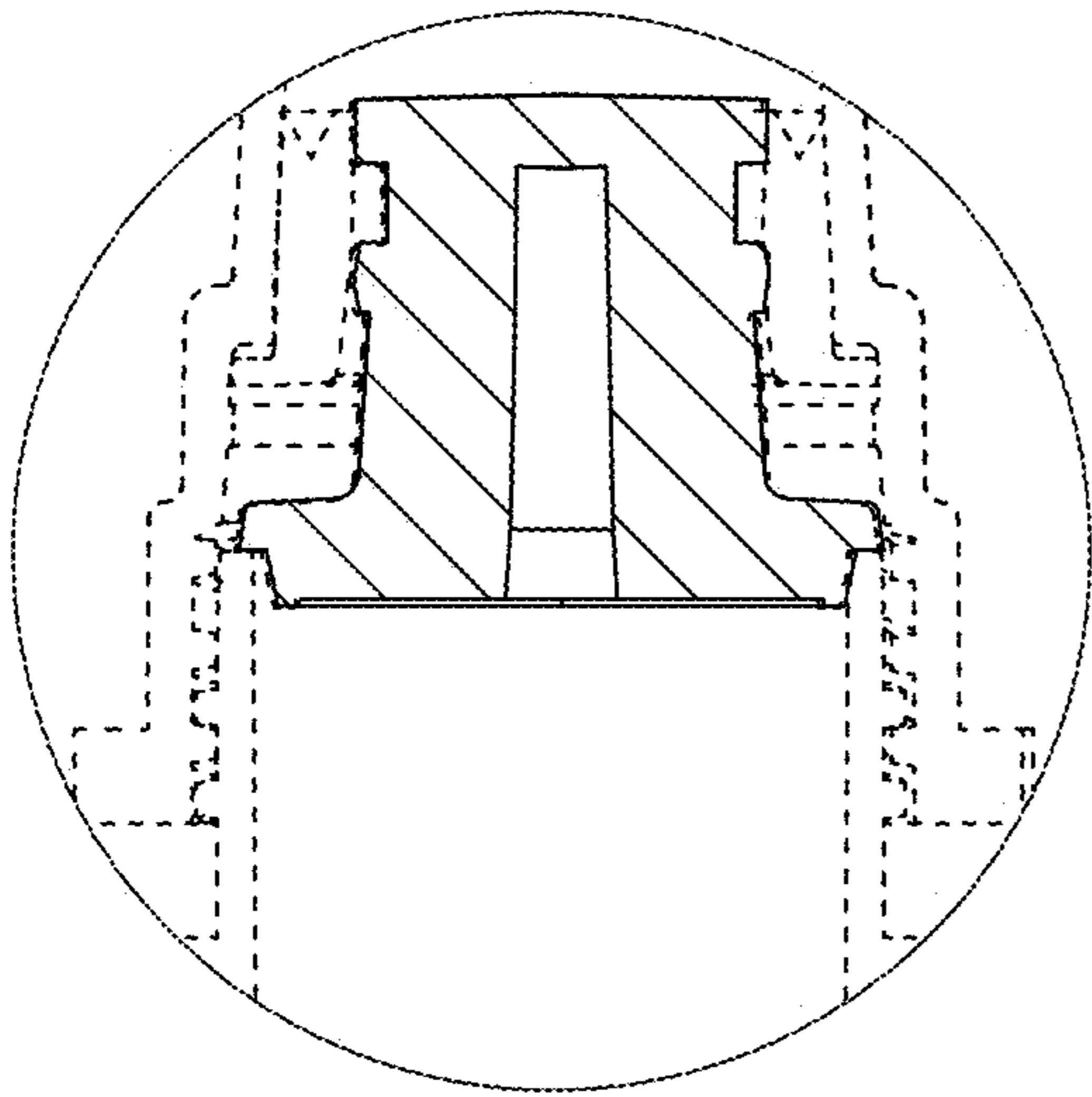


FIG. 1

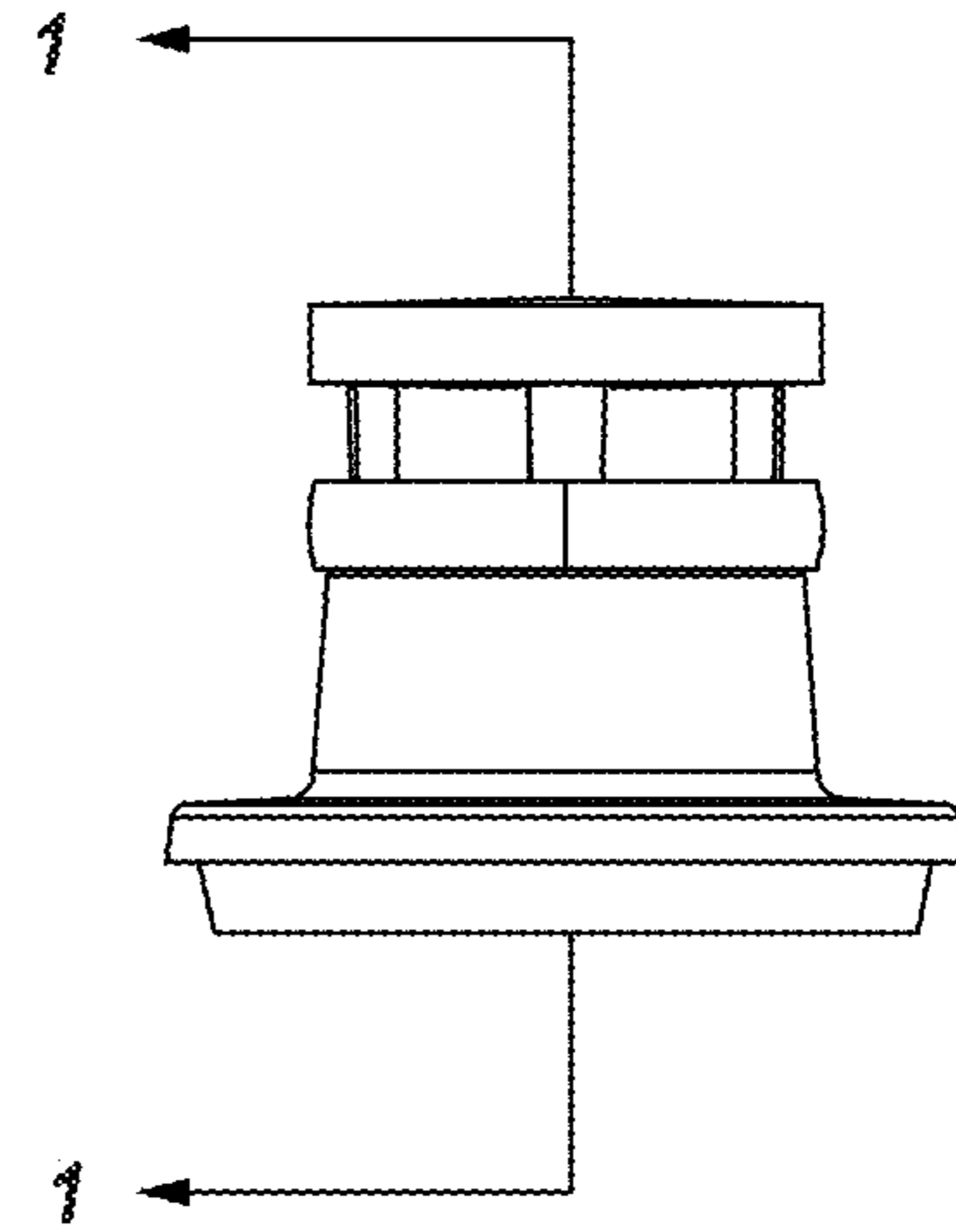


FIG. 2

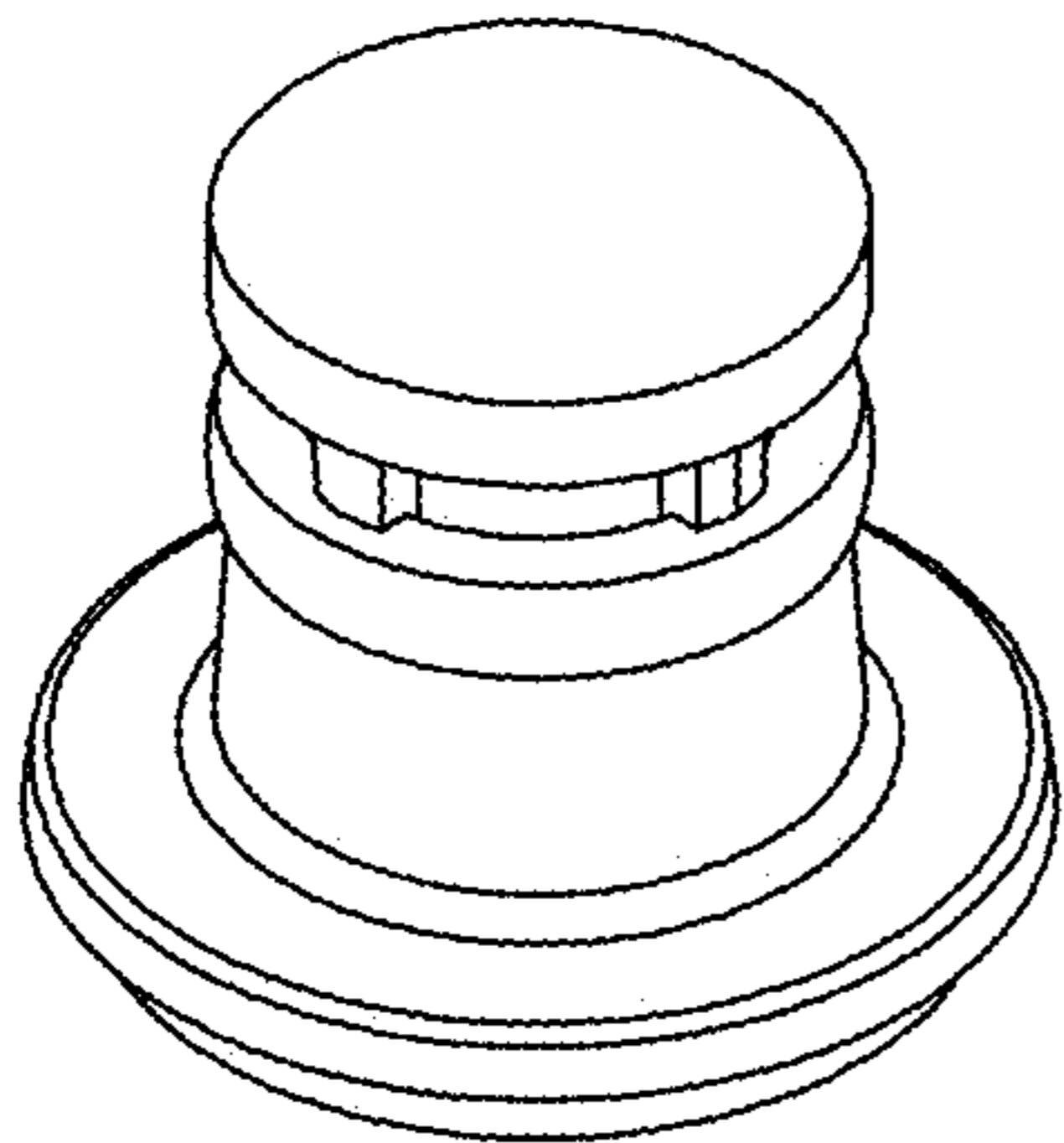


FIG. 3

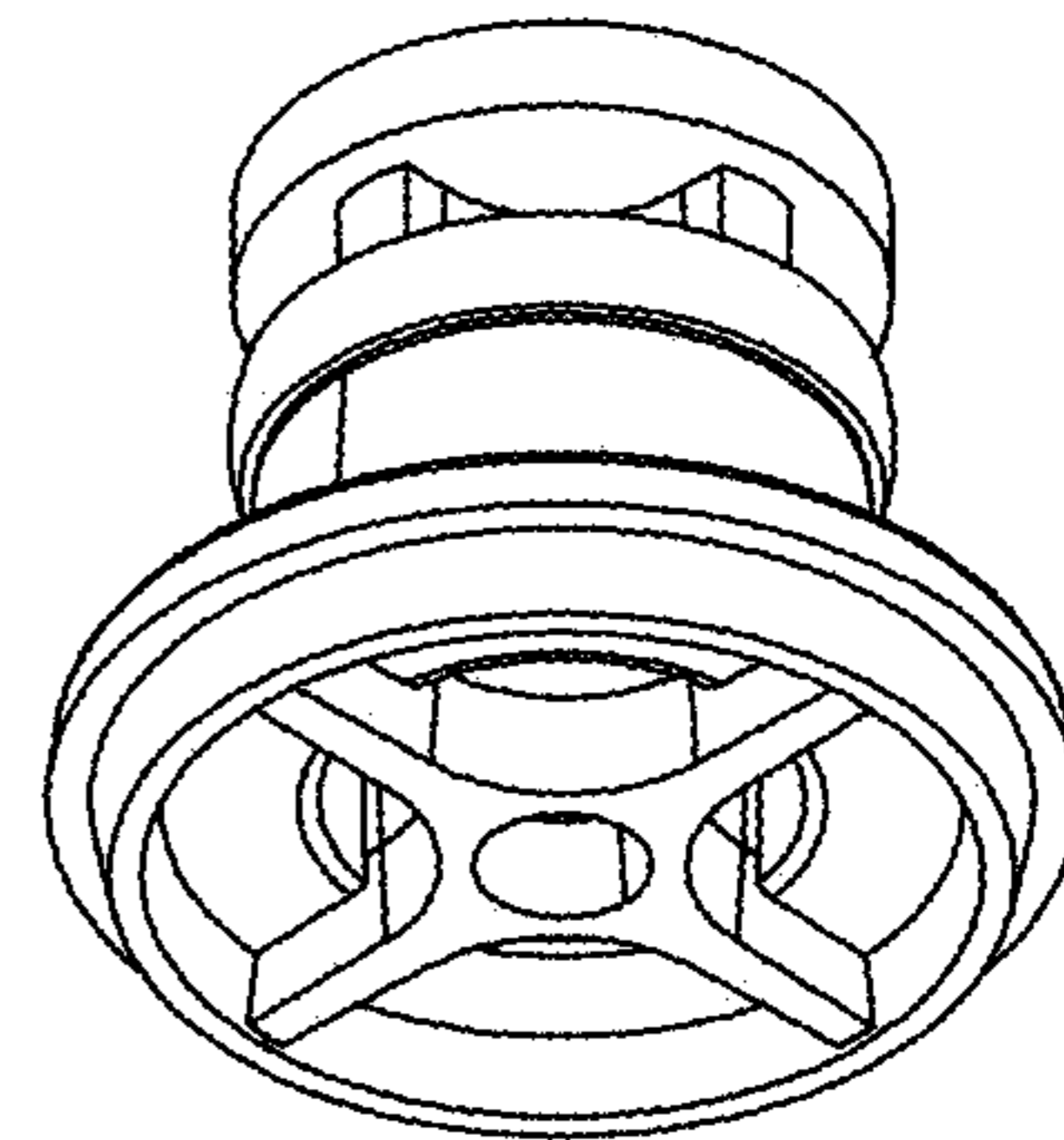


FIG. 4

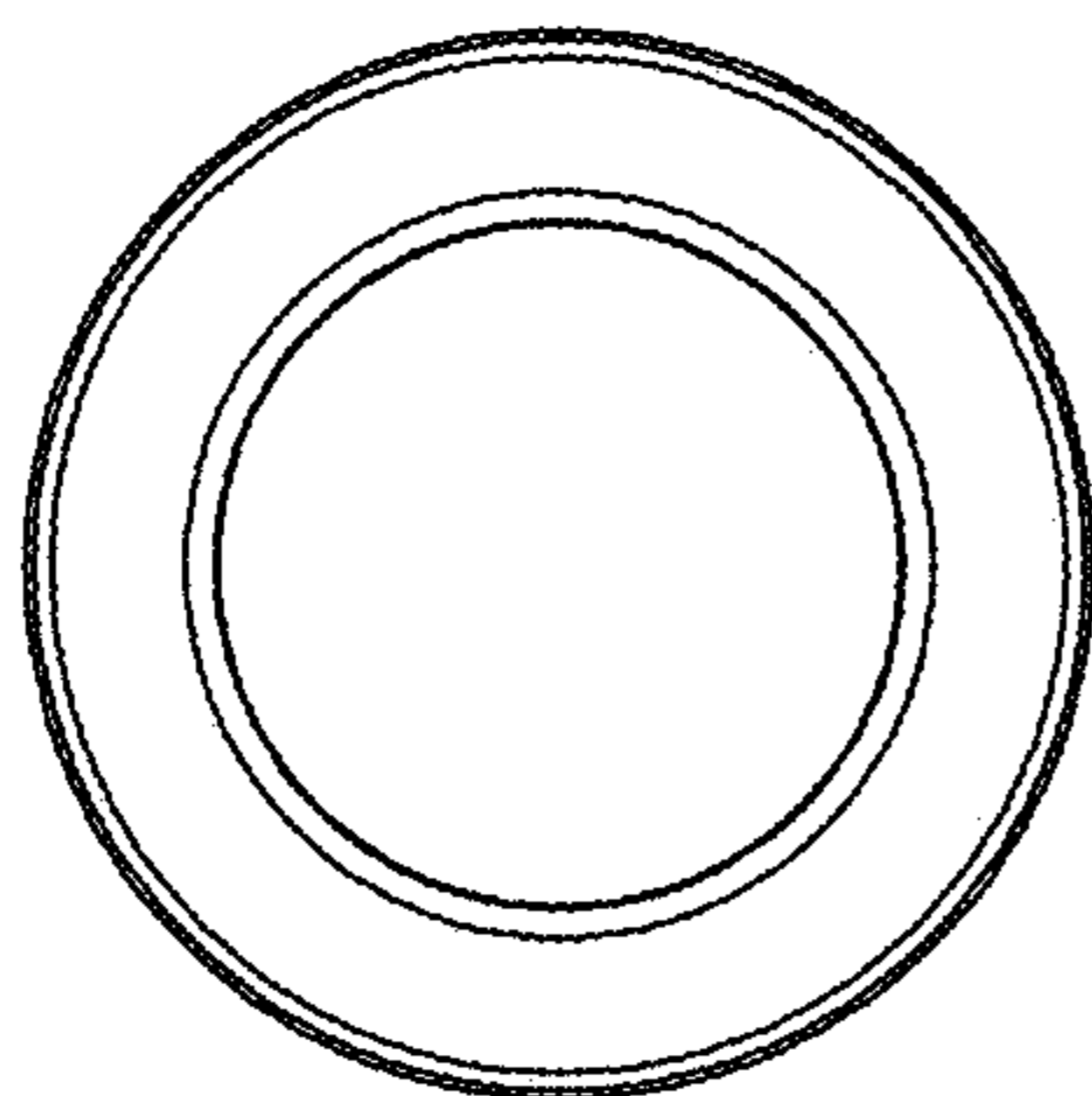


FIG. 5

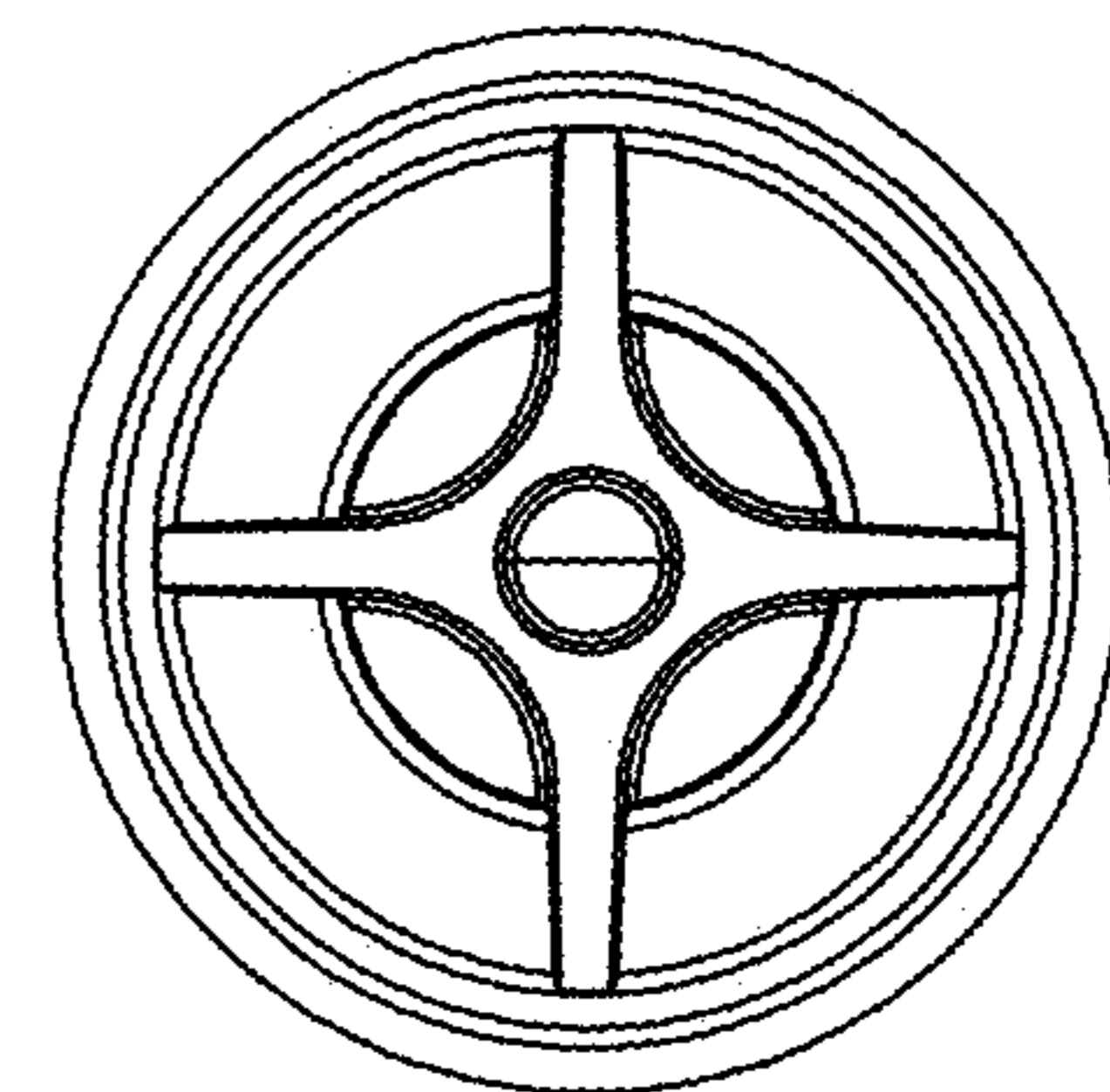


FIG. 6