

US00D969339S

(12) **United States Design Patent** (10) **Patent No.:** **US D969,339 S**
Sugie et al. (45) **Date of Patent:** **** Nov. 8, 2022**

(54) **CENTRIFUGAL FIELD-FLOW FRACTIONATION DEVICE**

D653,764 S * 2/2012 Macemon D24/216
D663,856 S * 7/2012 Lieblein D24/216
D664,261 S * 7/2012 Kravitz D3/276

(Continued)

(71) Applicant: **SHIMADZU CORPORATION**, Kyoto (JP)

FOREIGN PATENT DOCUMENTS

(72) Inventors: **Tomoya Sugie**, Kyoto (JP); **Kengo Aoki**, Kyoto (JP)

CN 201230068246 * 7/2012

Primary Examiner — Anhdao Doan

(73) Assignee: **SHIMADZU CORPORATION**, Kyoto (JP)

(74) *Attorney, Agent, or Firm* — JCIPRNET

(**) Term: **15 Years**

(57) **CLAIM**

The ornamental design for a centrifugal field-flow fractionation device, as shown and described.

(21) Appl. No.: **29/766,964**

DESCRIPTION

(22) Filed: **Jan. 20, 2021**

The patent or application file contains a least one drawing executed in color. Copies of this patent or patent application publication with color drawing(s) will be provided by the Office upon request and payment of the necessary fee.

(30) **Foreign Application Priority Data**

Aug. 27, 2020 (JP) 2020-018035 D

Aug. 27, 2020 (JP) 2020-018038 D

FIG. 1 is a perspective view of a centrifugal field-flow fractionation device showing a first embodiment of our new design;

(51) **LOC (13) Cl.** **24-01**

(52) **U.S. Cl.**
USPC **D24/219**

FIG. 2 is a front view thereof;

FIG. 3 is a rear view thereof;

FIG. 4 is a left side view thereof;

FIG. 5 is a right side view thereof;

FIG. 6 is a top view thereof;

FIG. 7 is a bottom view thereof;

(58) **Field of Classification Search**

USPC D24/107, 185, 186, 216, 219, 231–234; D10/81

CPC G01N 2035/00306; G01N 2035/00326; G01N 2035/00336; G01N 2030/027; G01N 21/76

FIG. 8 is a perspective view of a centrifugal field-flow fractionation device showing a second embodiment of our new design;

FIG. 9 is a front view thereof;

FIG. 10 is a rear view thereof;

FIG. 11 is a left side view thereof;

FIG. 12 is a right side view thereof;

FIG. 13 is a top view thereof; and,

FIG. 14 is a bottom view thereof.

See application file for complete search history.

The blue background in FIGS. 1-7 forms no part of the claimed design.

(56) **References Cited**

U.S. PATENT DOCUMENTS

D415,840 S * 10/1999 Lamond D24/219

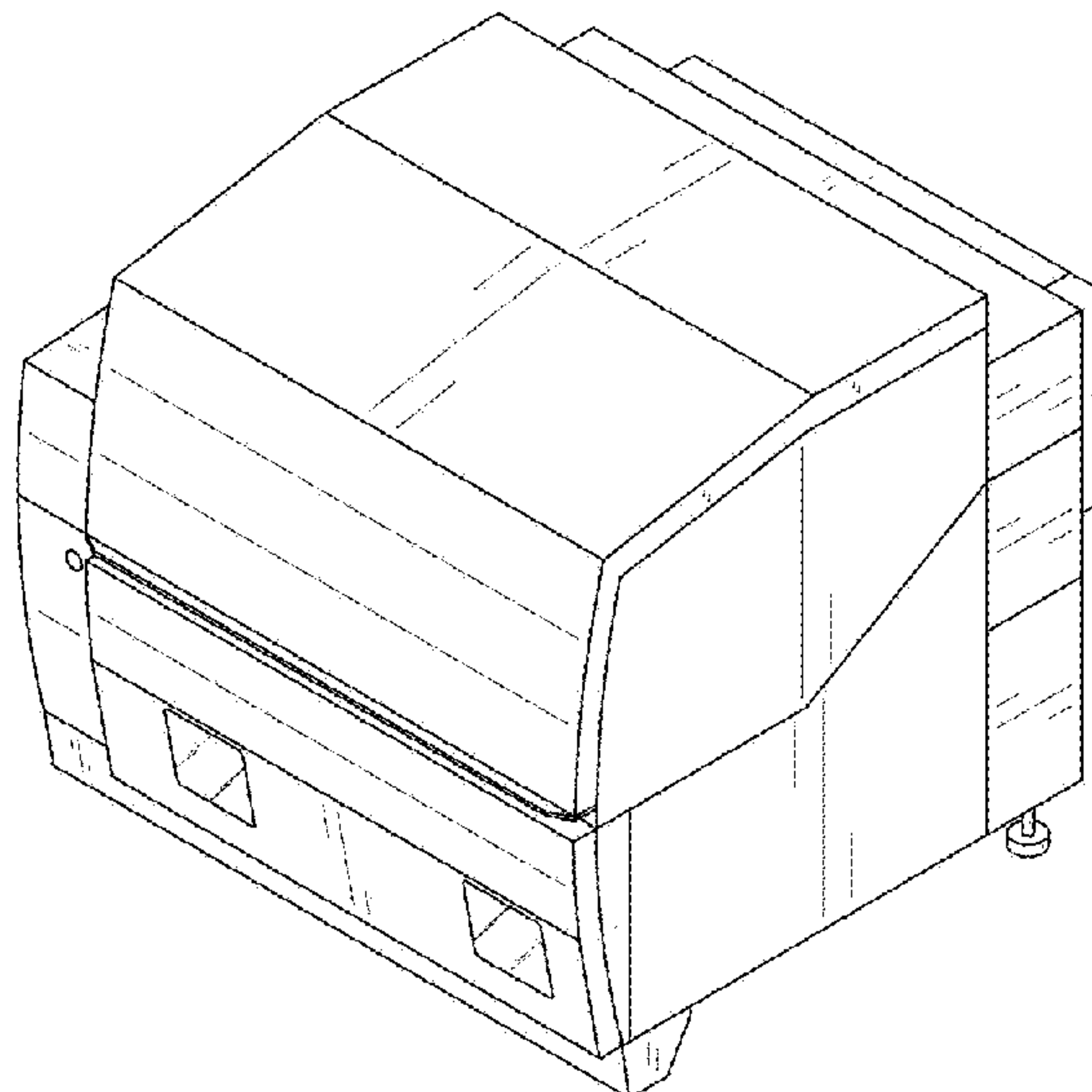
D557,156 S * 12/2007 Kon D10/81

D588,276 S * 3/2009 Isozaki D24/232

D598,567 S * 8/2009 Tsukuda D24/234

D637,310 S * 5/2011 Barbieux D24/216

1 Claim, 8 Drawing Sheets
(4 of 8 Drawing Sheet(s) Filed in Color)



(56)

References Cited

U.S. PATENT DOCUMENTS

D705,440 S *	5/2014	Develon	D24/216
D707,844 S *	6/2014	Hilbey	D24/216
D850,310 S *	6/2019	Kang	D24/216
D874,017 S *	1/2020	Jenoski	D24/216
D914,231 S *	3/2021	Ong	D24/216
D932,047 S *	9/2021	Hölbl	D24/216
D932,929 S *	10/2021	Stone	D24/216
2008/0063567 A1 *	3/2008	Schacher	G01N 35/025 422/68.1
2016/0195563 A1 *	7/2016	Oonuma	G01N 35/025 422/64

* cited by examiner

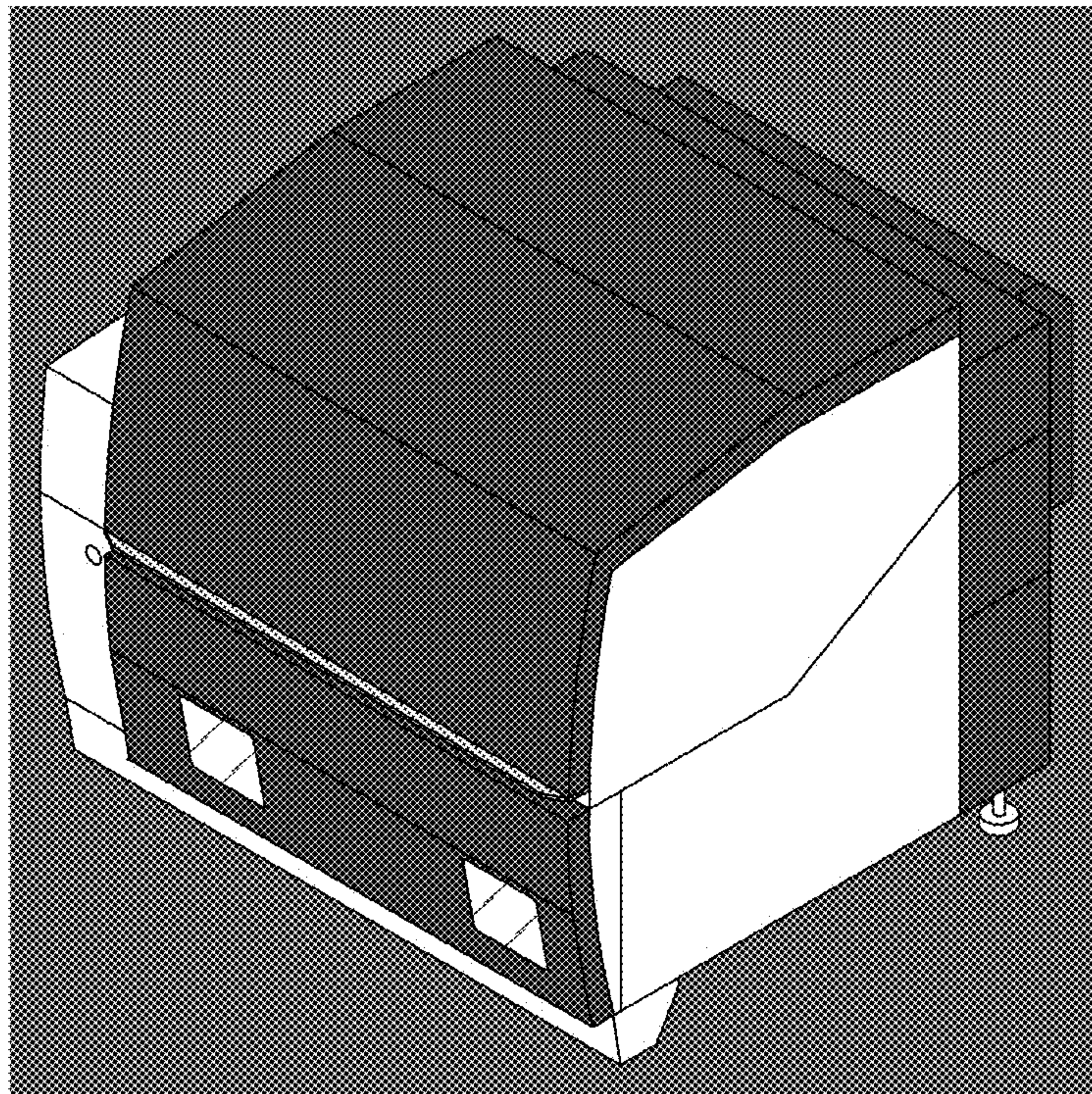


FIG. 1

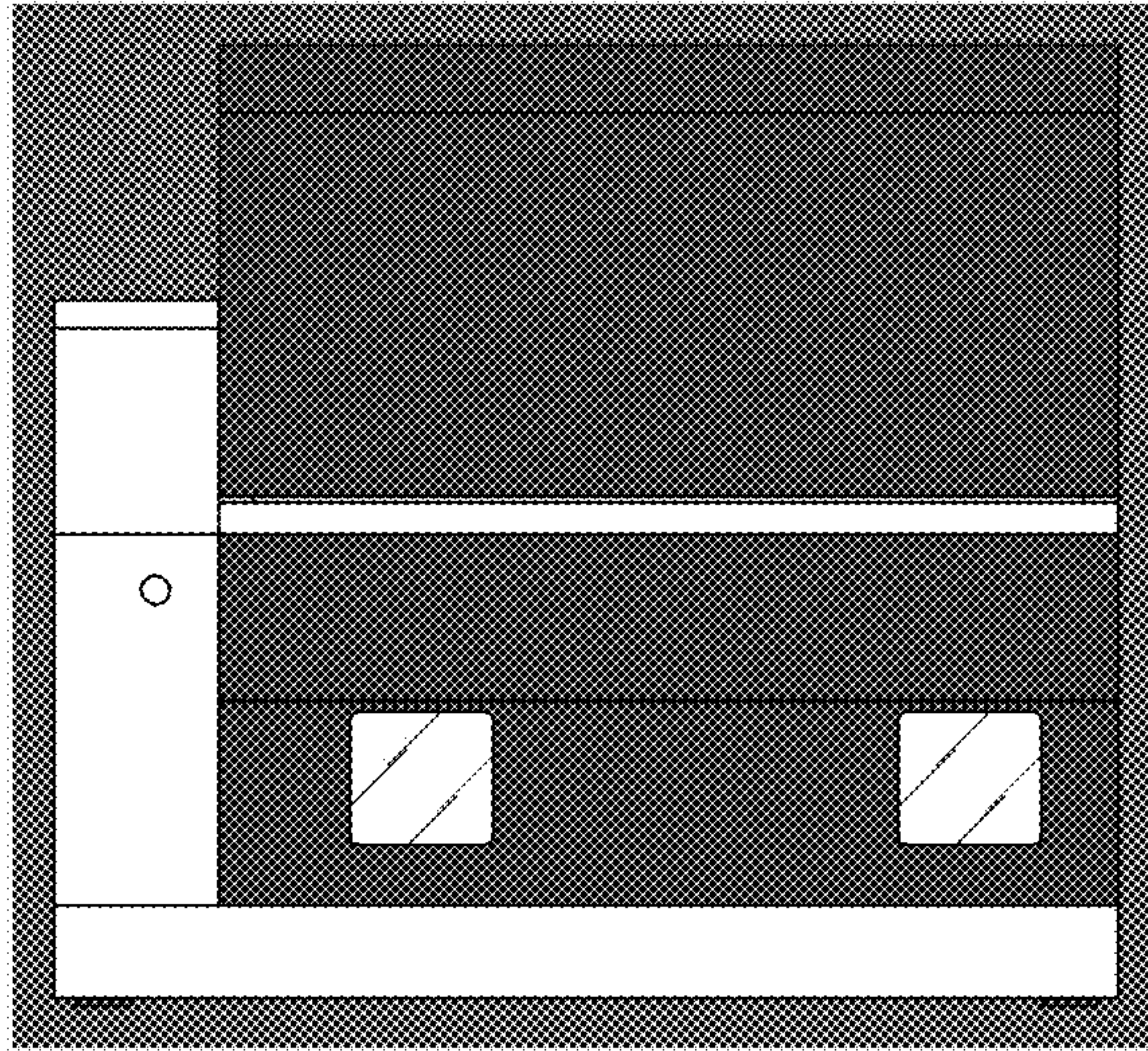


FIG. 2

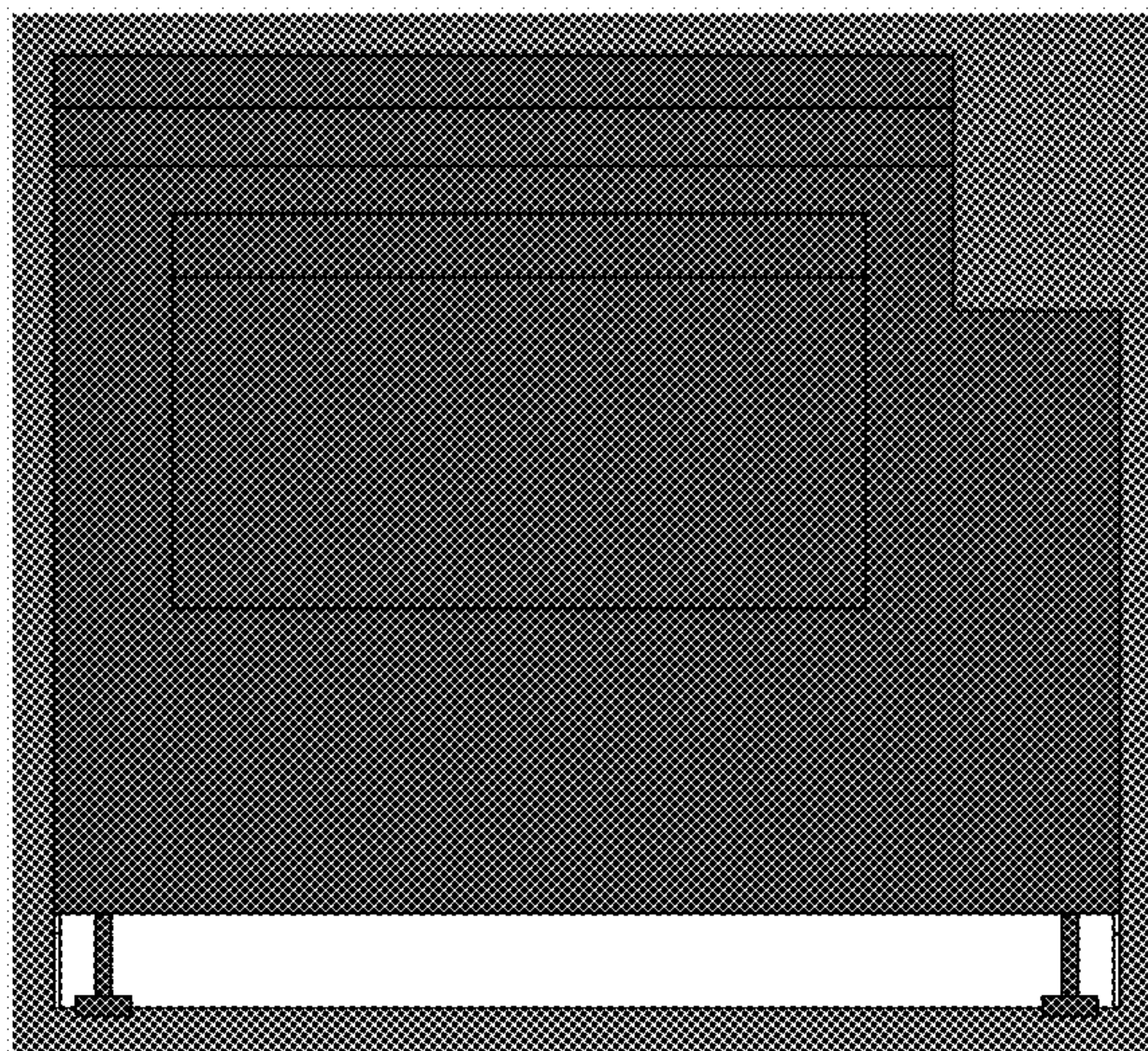


FIG. 3

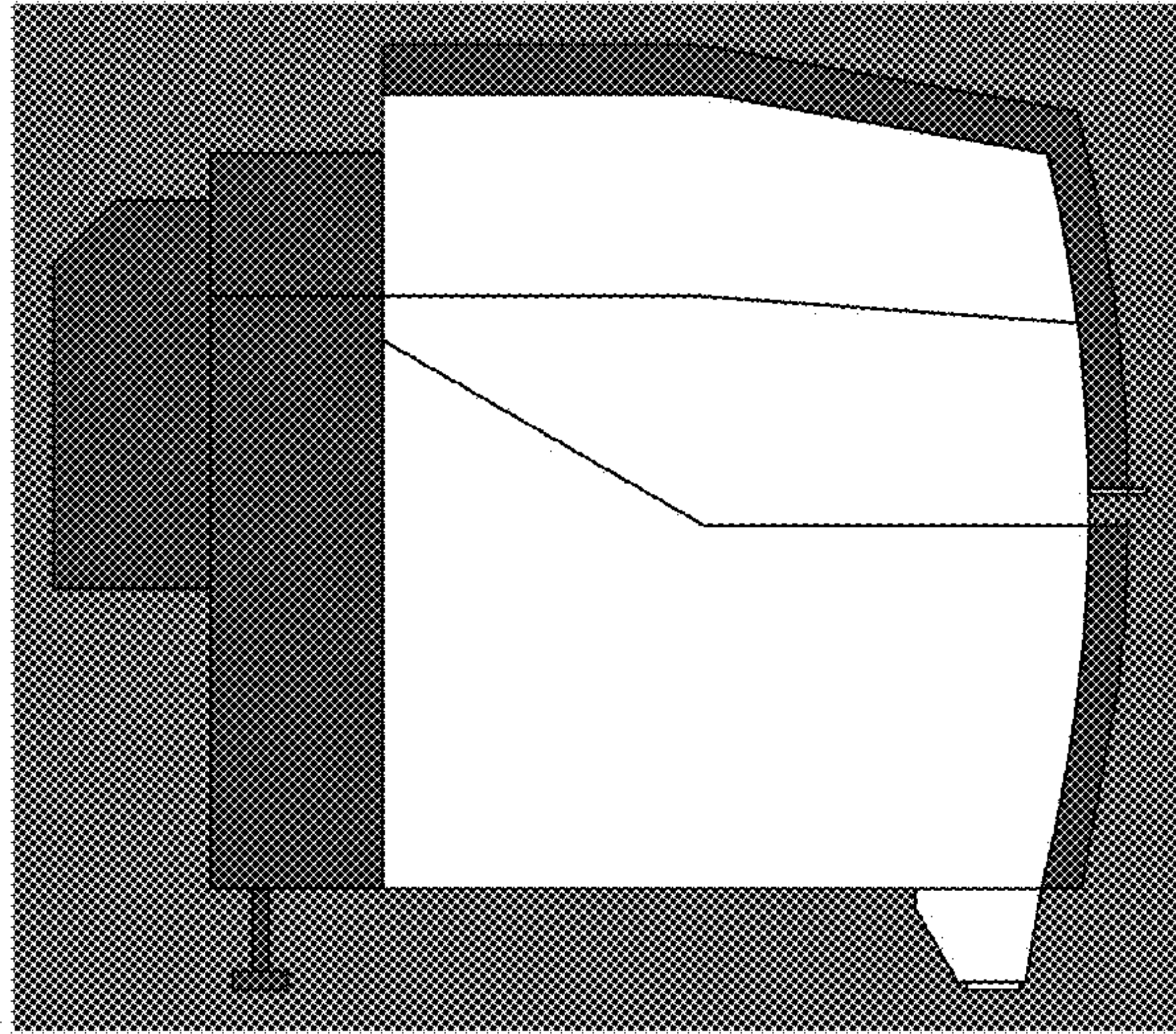


FIG. 4

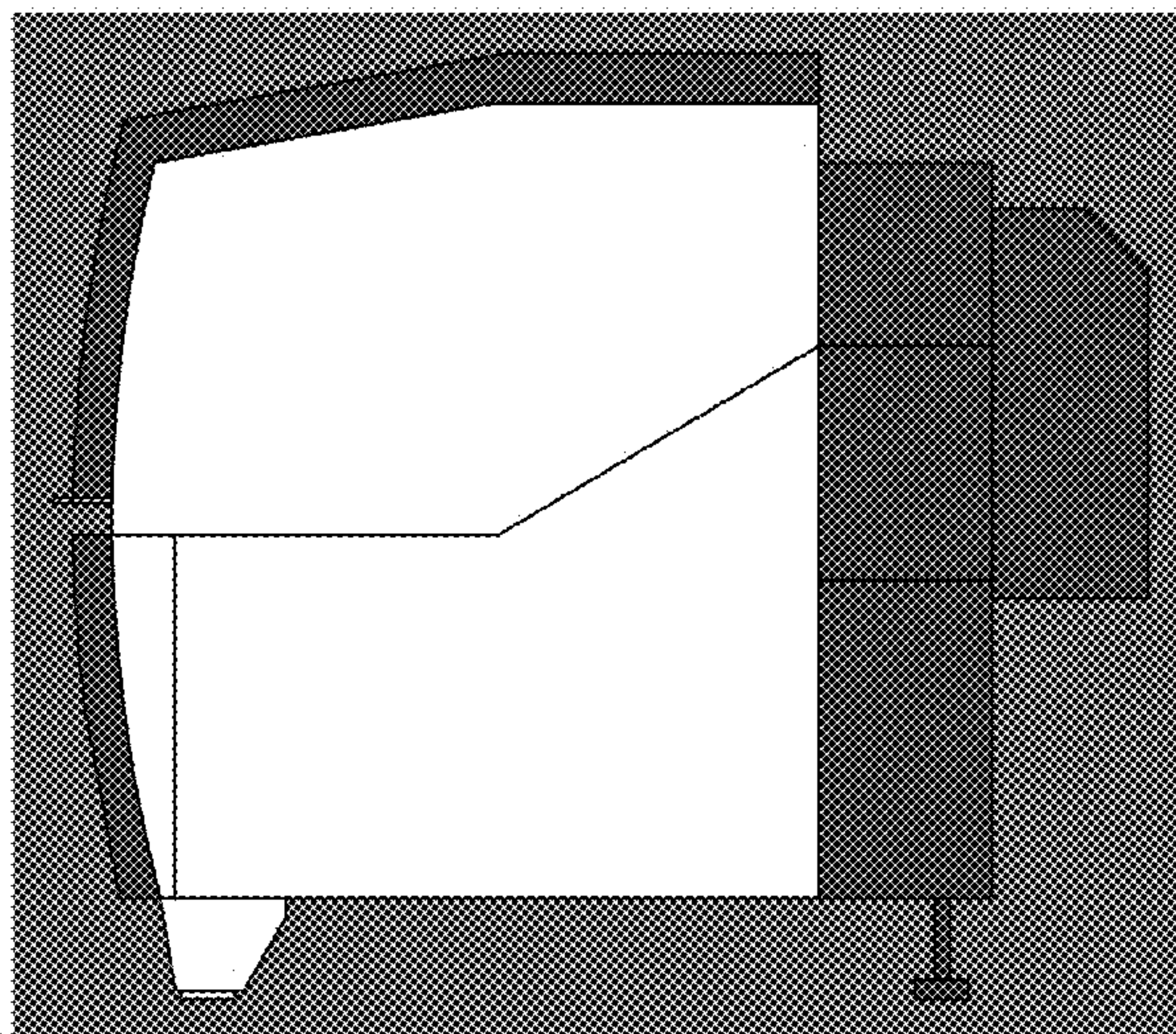


FIG. 5

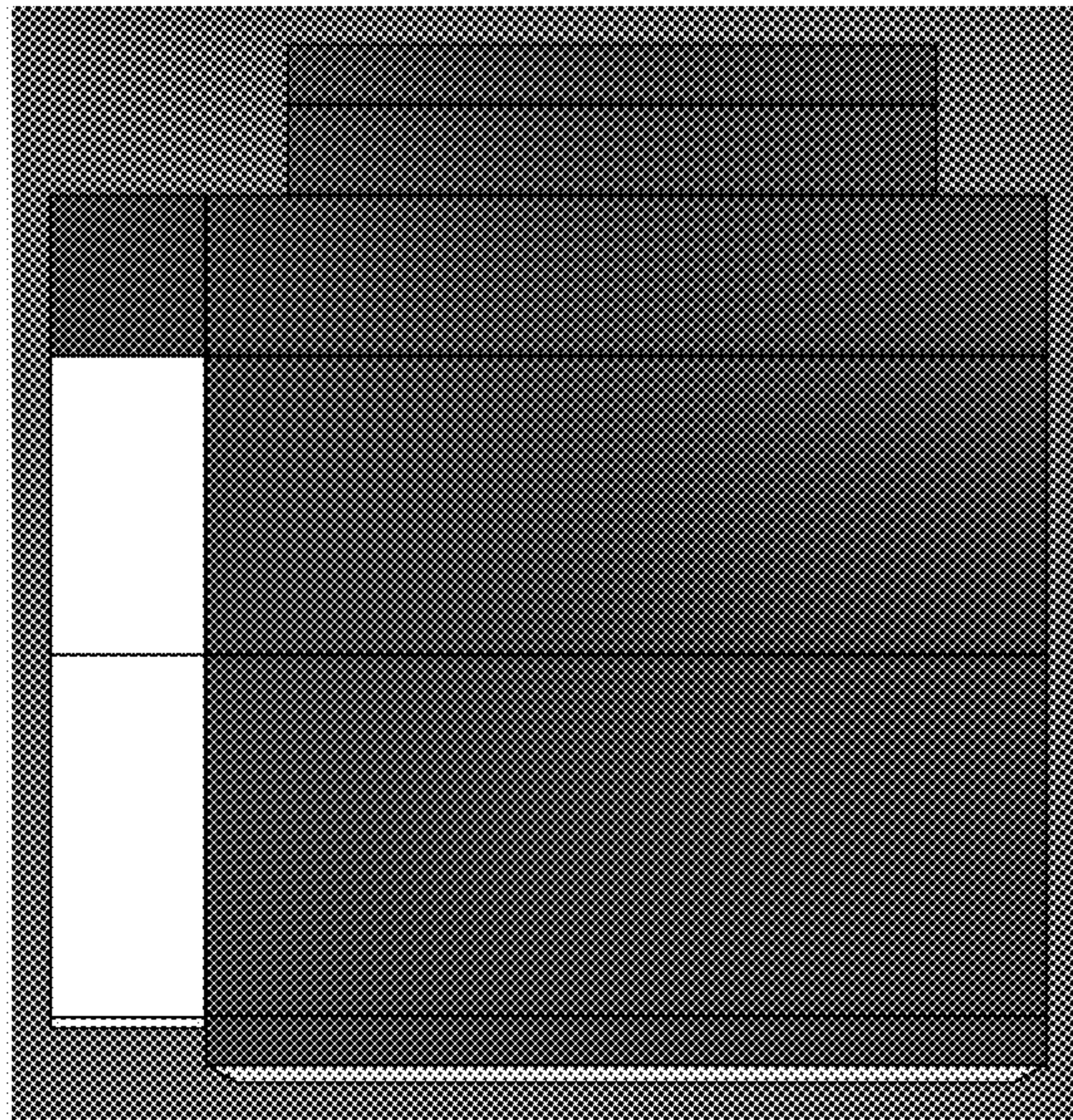


FIG. 6

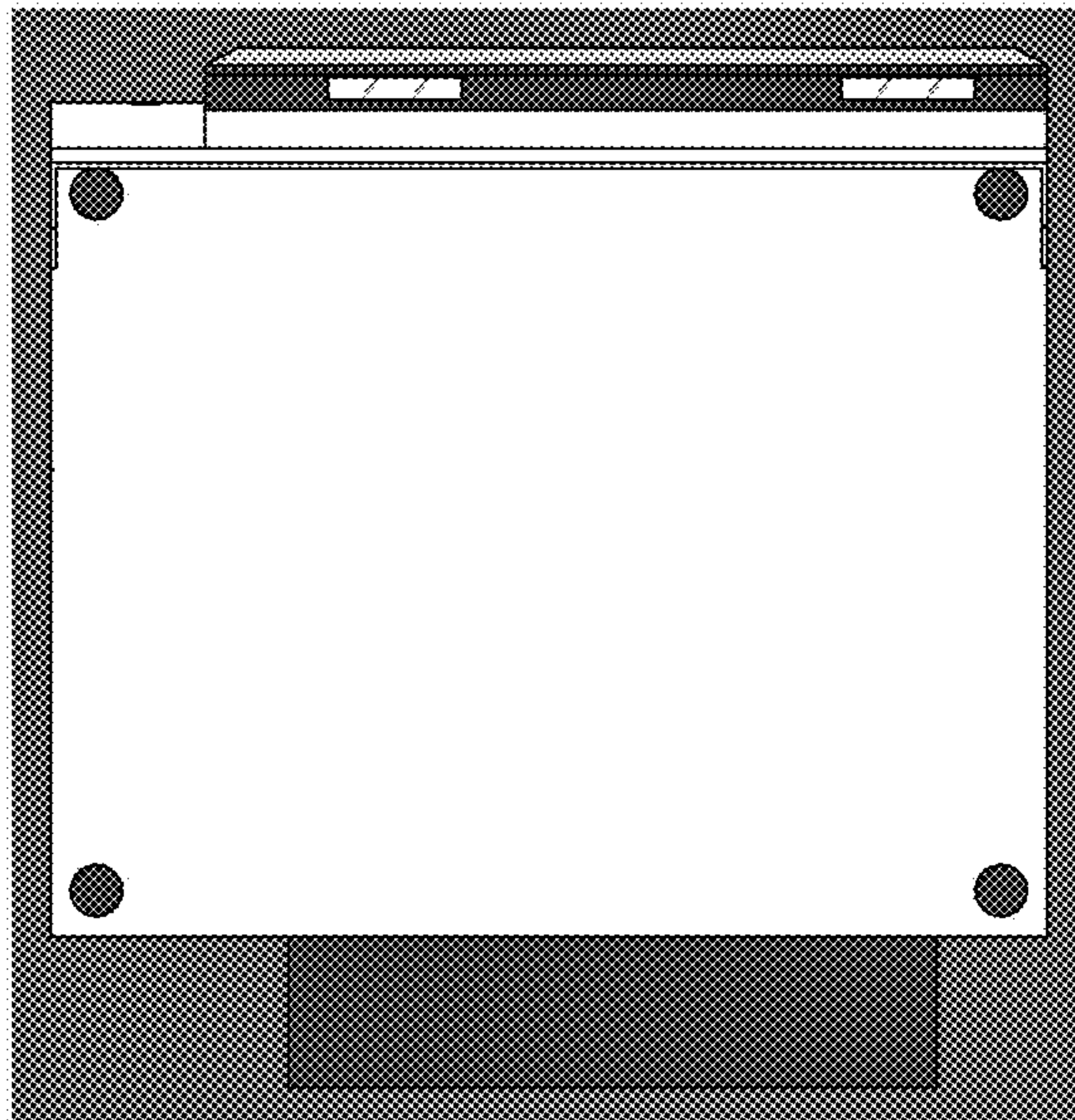


FIG. 7

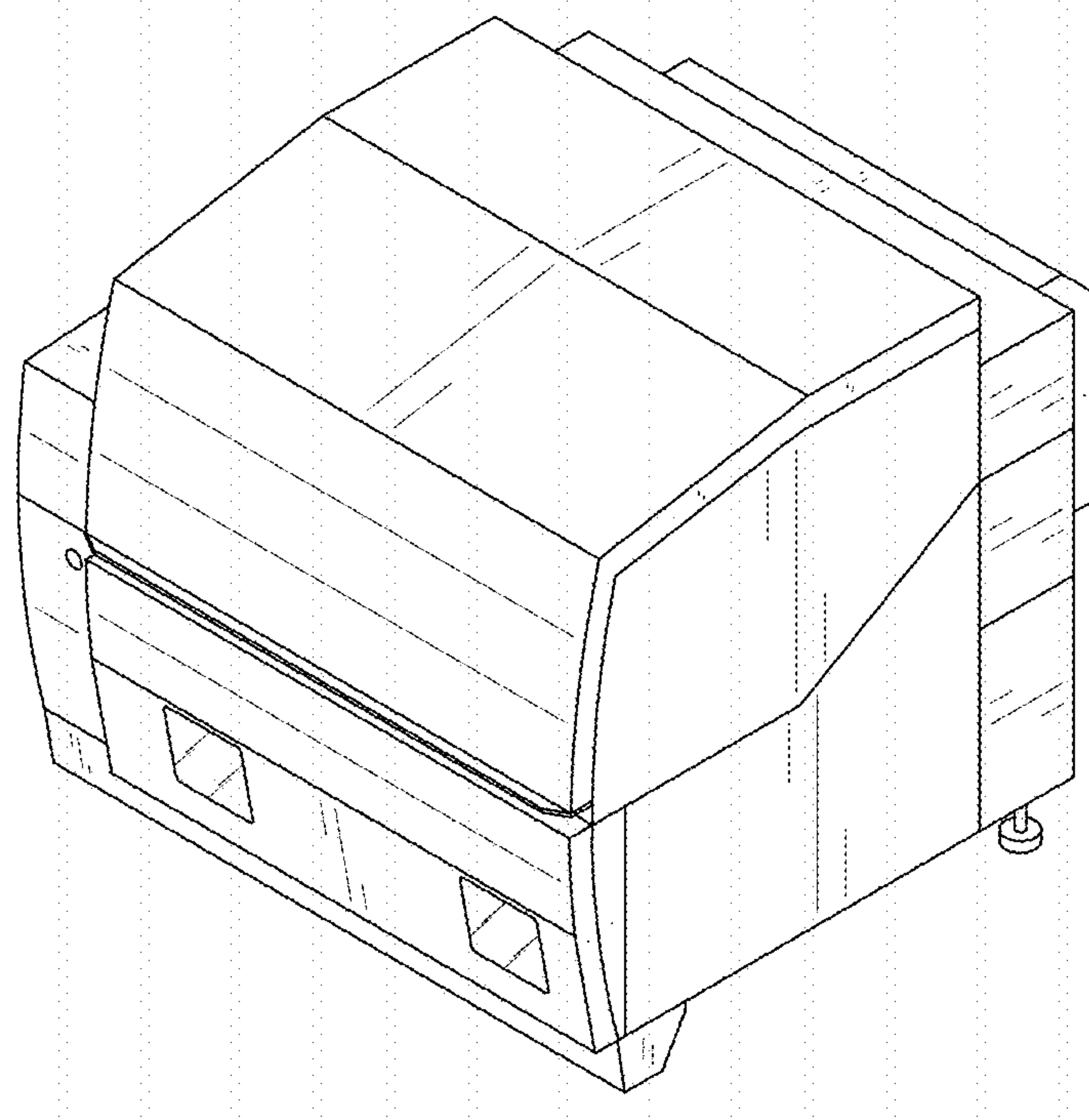


FIG. 8

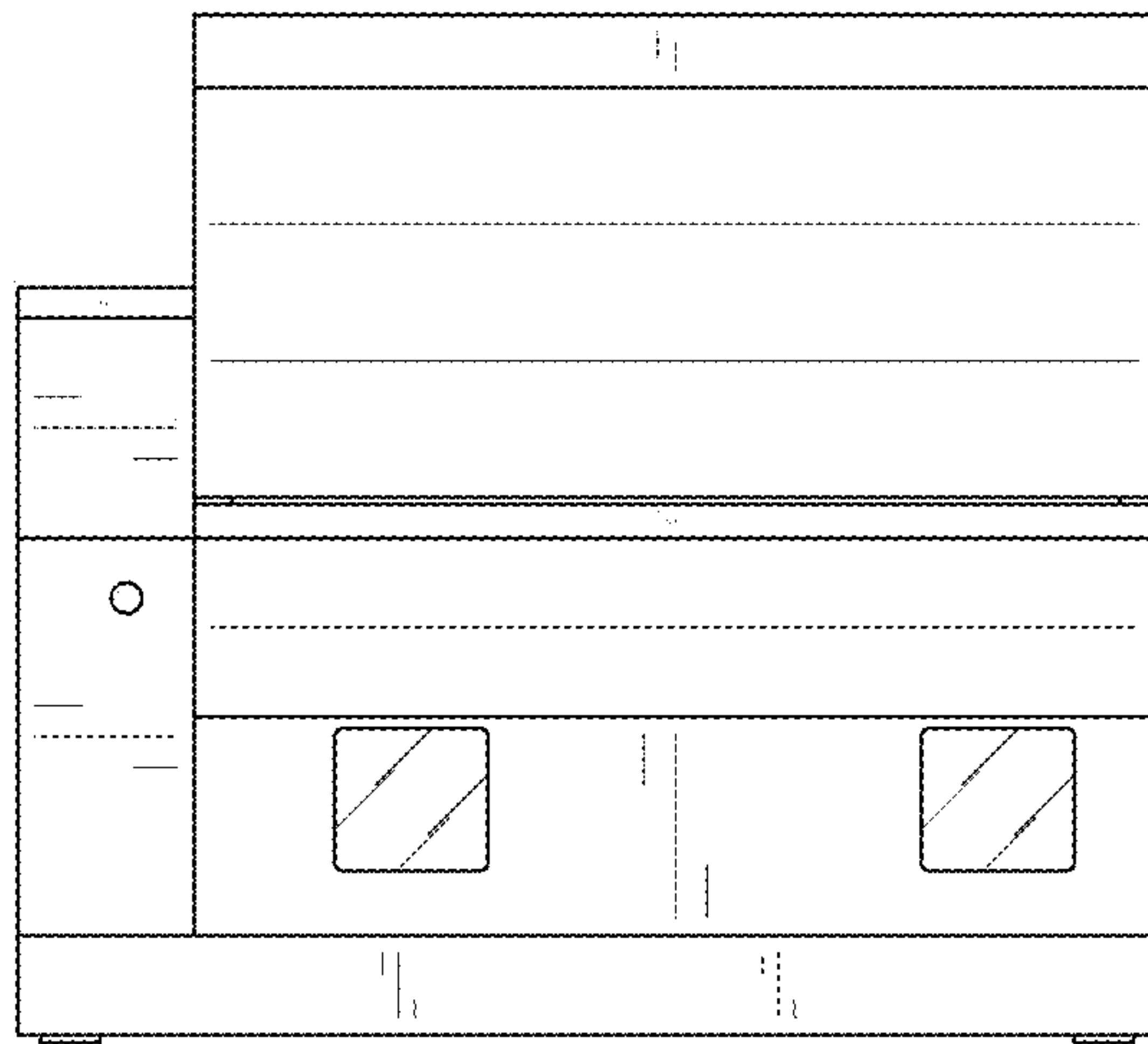


FIG. 9

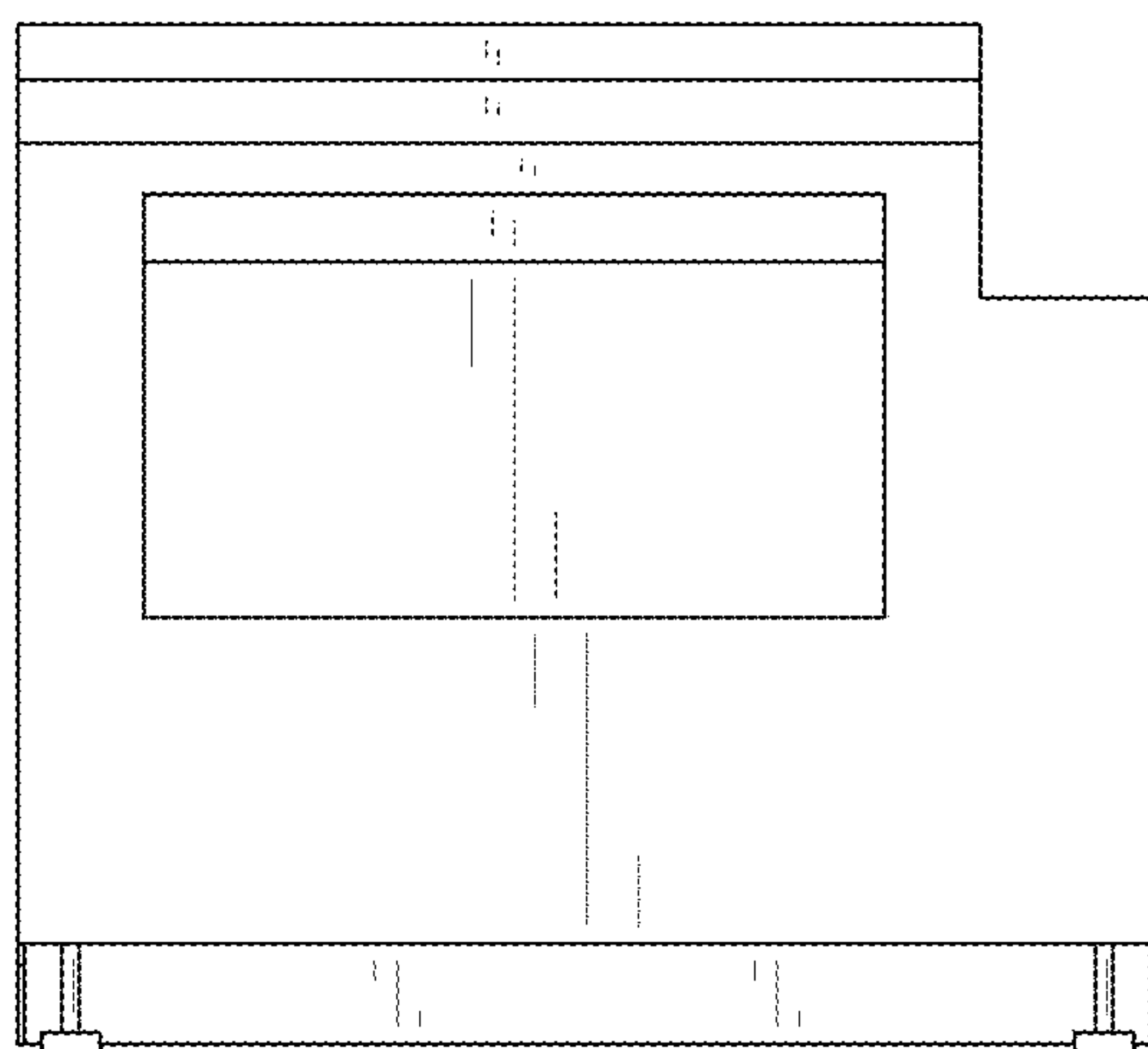


FIG. 10

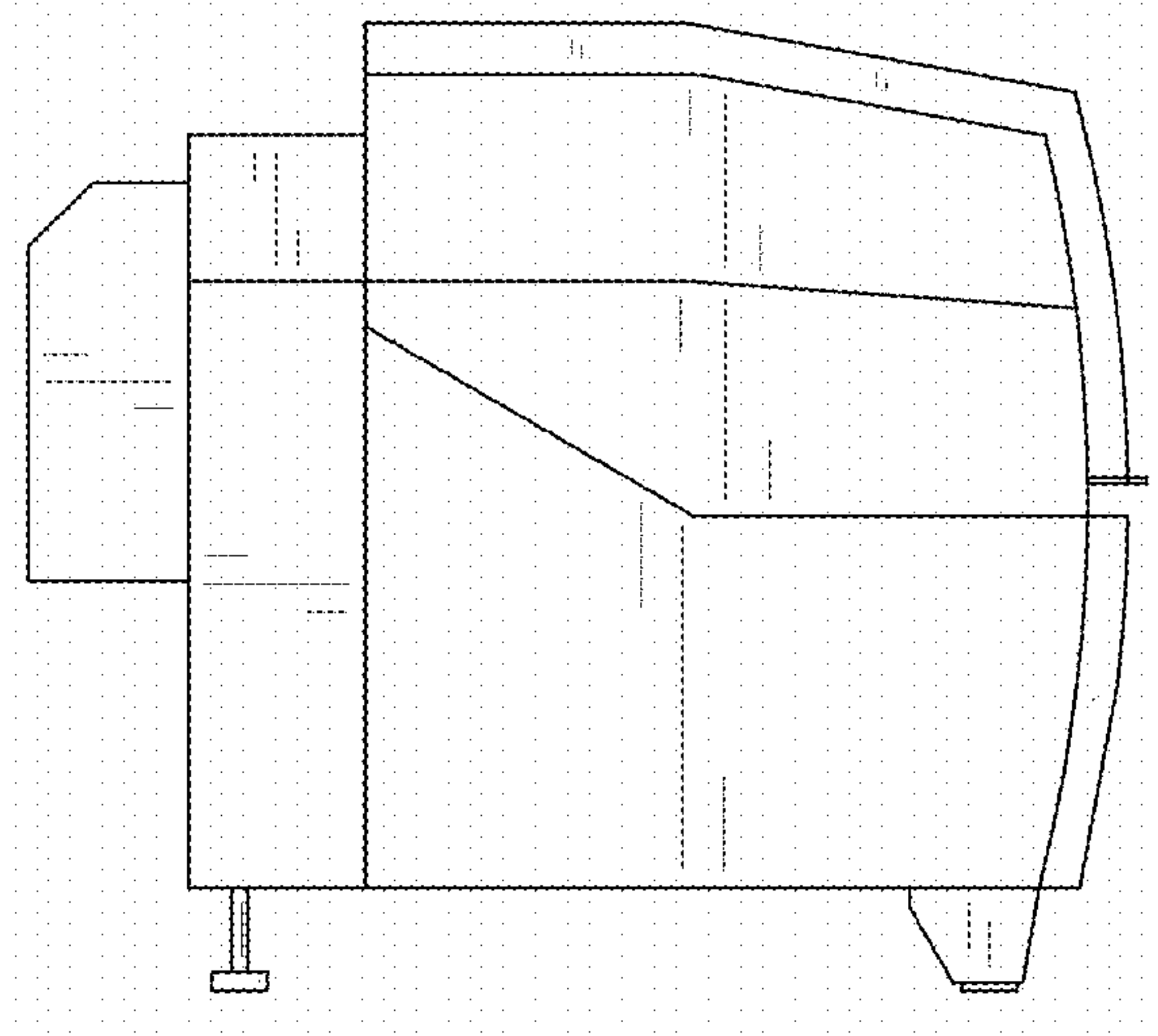


FIG. 11

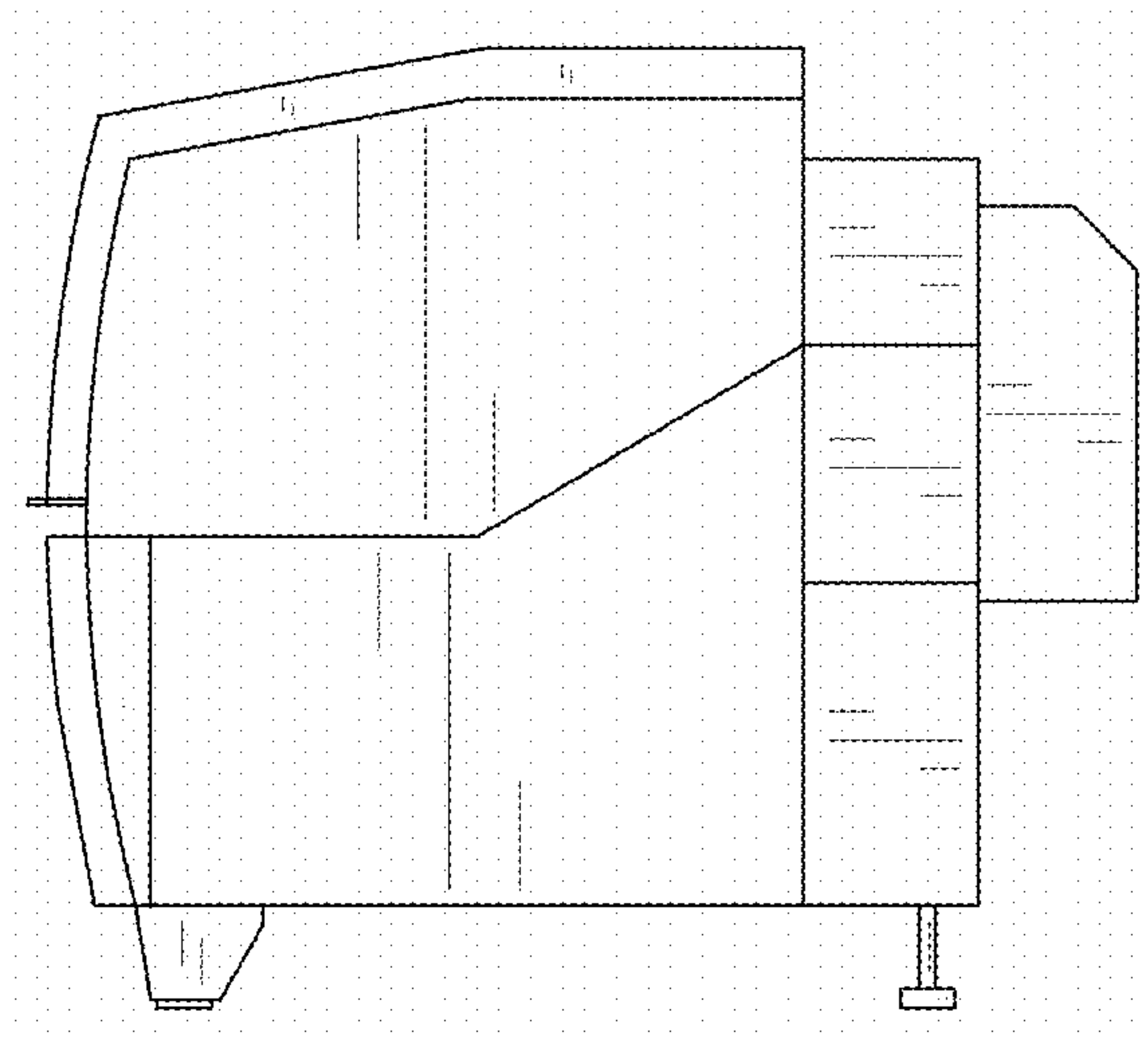


FIG. 12

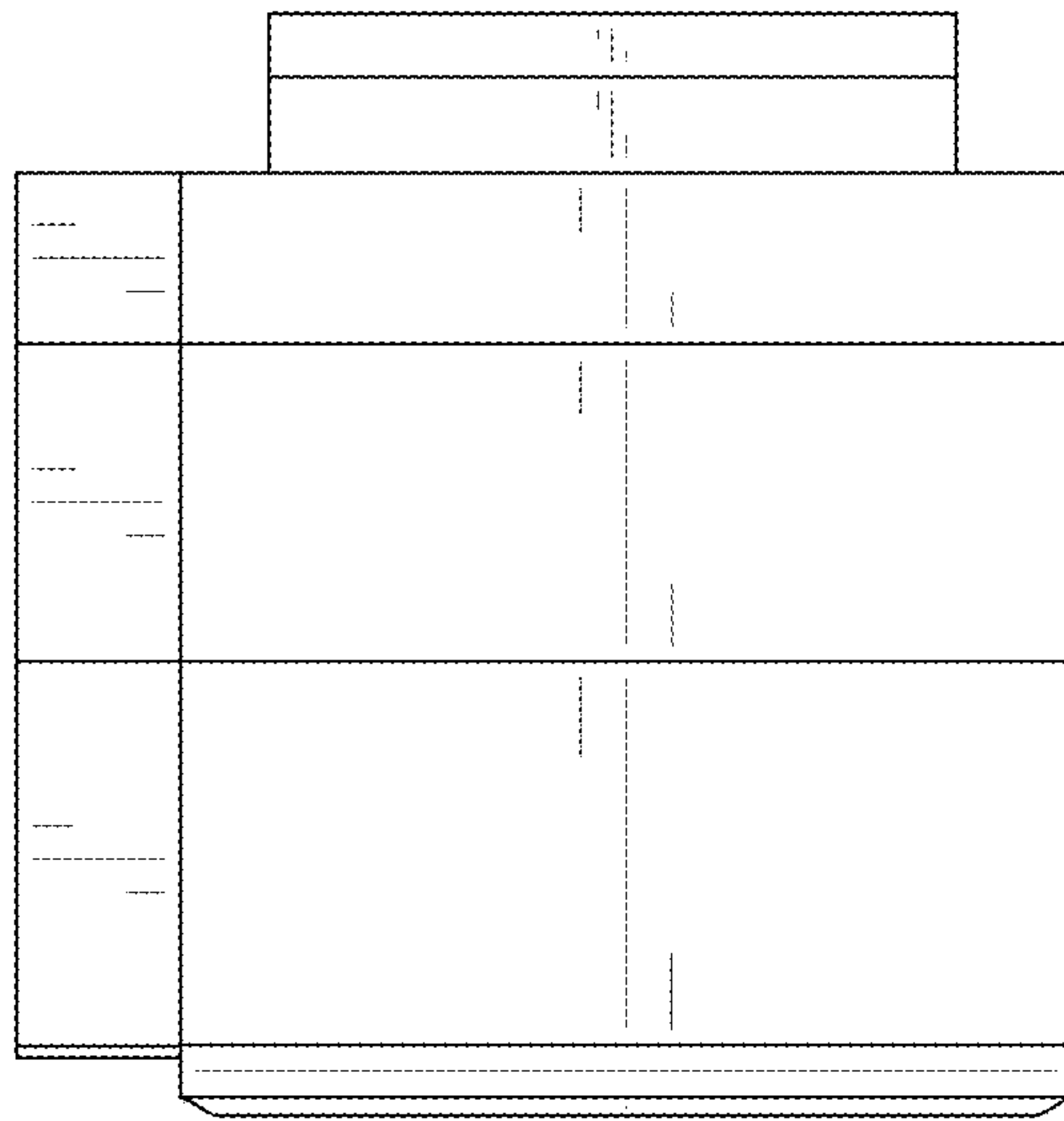


FIG. 13

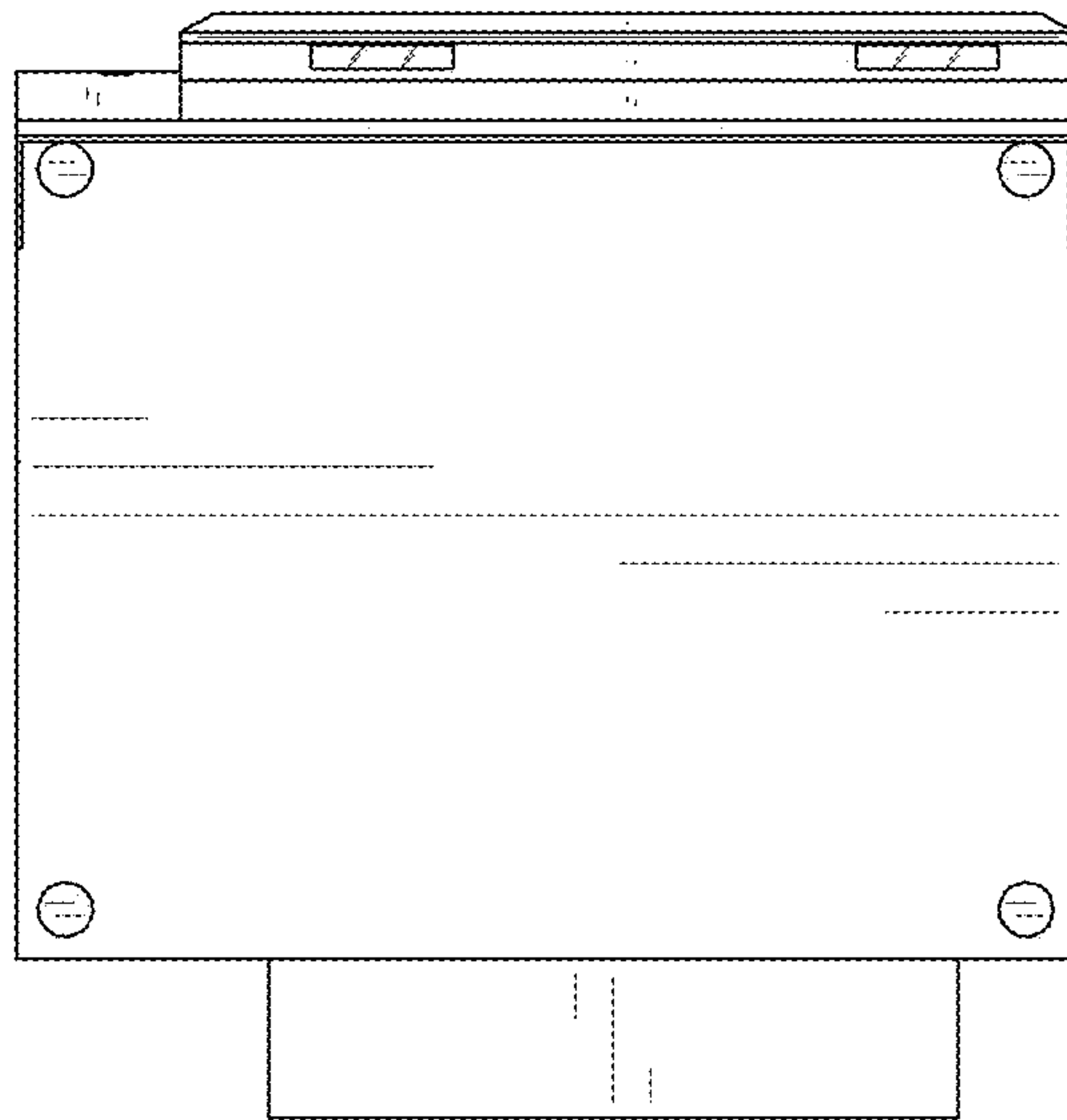


FIG. 14