



US00D969336S

(12) **United States Design Patent** (10) **Patent No.:** **US D969,336 S**  
**Lee et al.** (45) **Date of Patent:** **\*\* Nov. 8, 2022**

(54) **MASSAGING DEVICE**

2020/0085675 A1\* 3/2020 Lee ..... A61H 23/006  
2021/0244609 A1\* 8/2021 Lee ..... A61H 23/006

(71) Applicant: **Pado, Inc.**, Valencia, CA (US)

\* cited by examiner

(72) Inventors: **Steven Lee**, Valencia, CA (US);  
**Alejandro Garfio**, Mission Viejo, CA (US)

*Primary Examiner* — Michael A Maharajh  
(74) *Attorney, Agent, or Firm* — Sheppard, Mullin, Richter & Hampton LLP

(73) Assignee: **Pado, Inc.**, Valencia, CA (US)

(57) **CLAIM**

The ornamental design for a massaging device, as shown and described.

(\*\*) Term: **15 Years**

**DESCRIPTION**

(21) Appl. No.: **29/771,898**

FIG. 1 is top-left perspective view of a massaging device, showing our new design.

(22) Filed: **Feb. 25, 2021**

FIG. 2 is a top-right perspective view of the massaging device of FIG. 1.

(51) **LOC (13) Cl.** ..... **28-03**

FIG. 3 is a bottom-right perspective view of the massaging device of FIG. 1.

(52) **U.S. Cl.**

USPC ..... **D24/215**

FIG. 4 is a front elevational view of the massaging device of FIG. 1.

(58) **Field of Classification Search**

USPC ..... D24/200, 211, 212, 213, 214, 215;  
D8/14.1; D28/13

FIG. 5 is a rear elevational view of the massaging device of FIG. 1.

CPC ..... A61H 15/02; A61H 1/008; A61H 2201/1635; A61H 1/006; A61H 15/00

FIG. 6 is a left side elevational view of the massaging device of FIG. 1.

See application file for complete search history.

FIG. 7 is a right side elevational view of the massaging device of FIG. 1.

(56) **References Cited**

**U.S. PATENT DOCUMENTS**

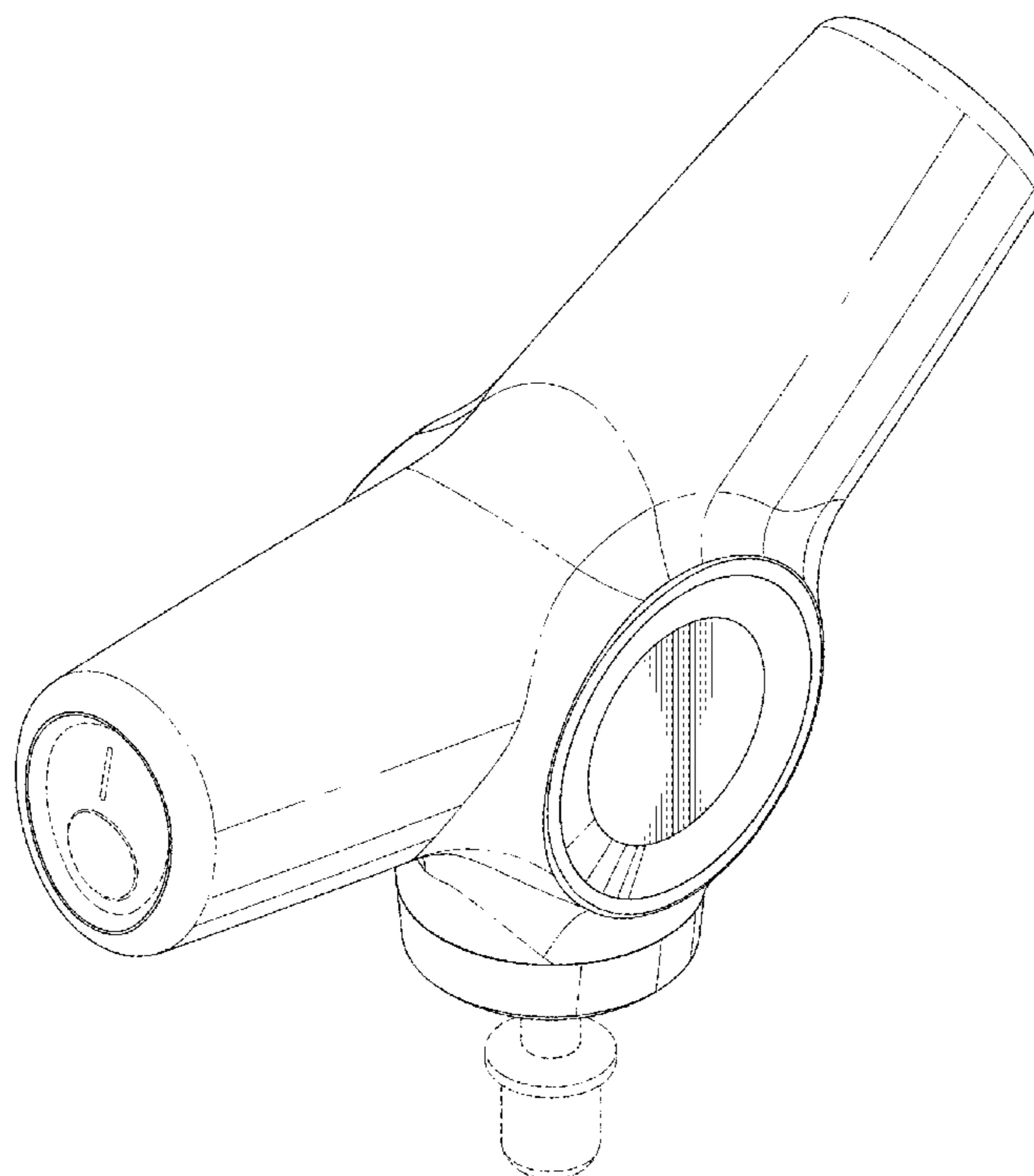
D847,364 S \* 4/2019 Lee ..... D24/215  
D866,790 S \* 11/2019 Lee ..... D24/215  
D920,531 S \* 5/2021 Xu ..... D24/215  
D924,424 S \* 7/2021 Wang ..... D24/215  
D949,412 S \* 4/2022 Chen ..... D24/215  
D953,557 S \* 5/2022 Wu ..... D24/215

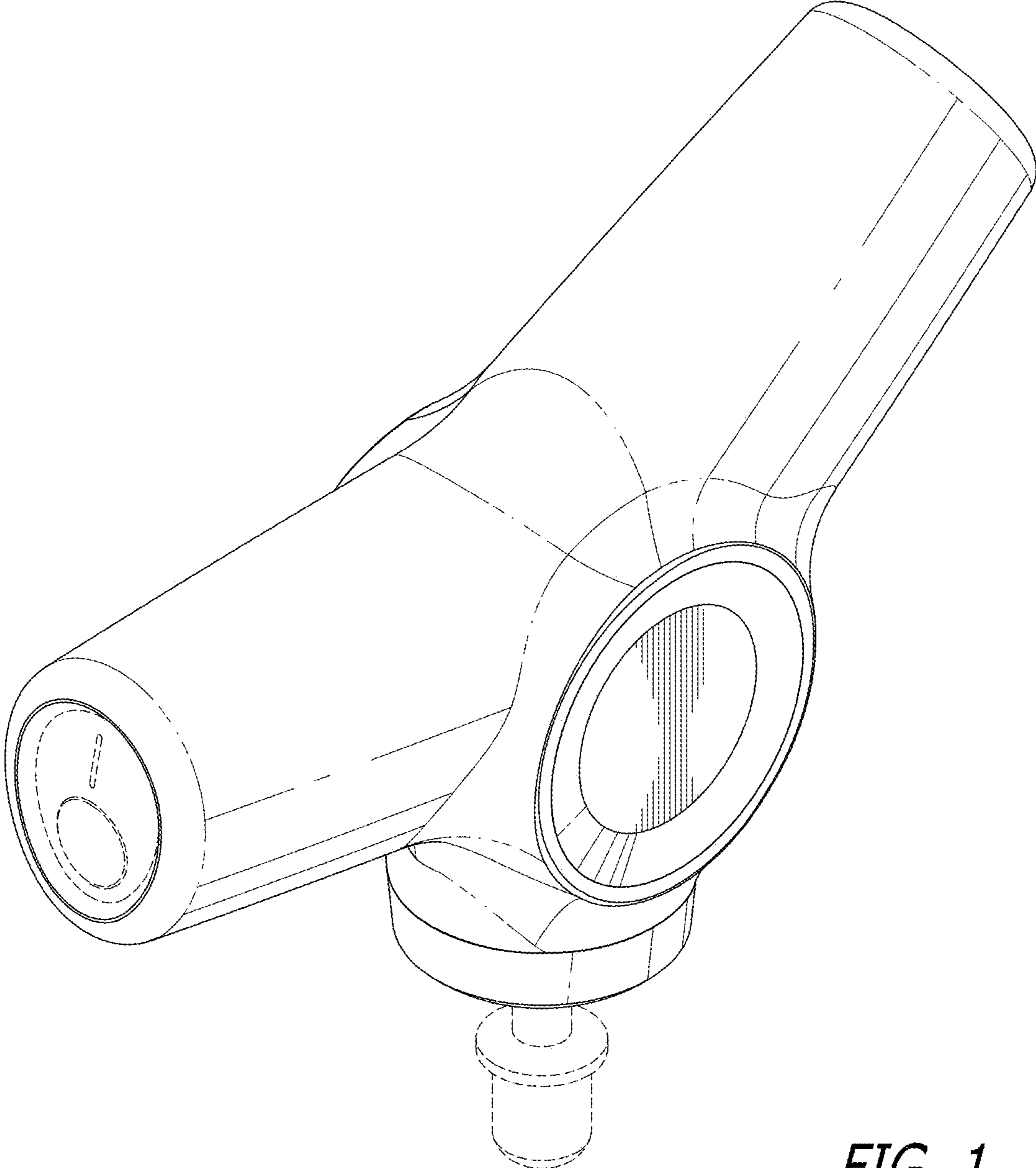
FIG. 8 is a top plan view of the massaging device of FIG. 1; and,

FIG. 9 is a bottom plan view of the massaging device of FIG. 1.

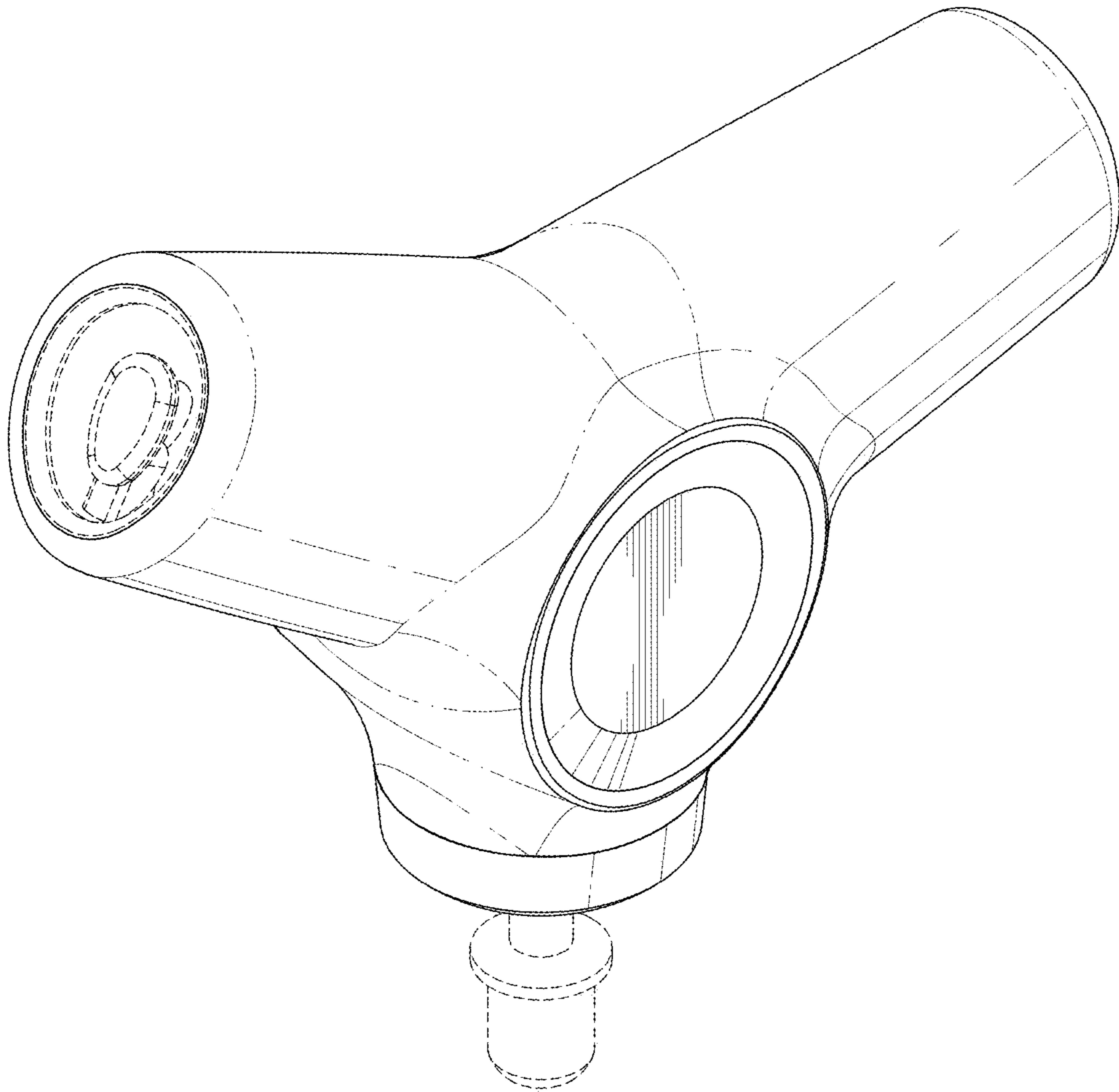
The broken lines in the drawings are for the purpose of illustrating portions of the massaging device, which form no part of the claimed design.

**1 Claim, 7 Drawing Sheets**

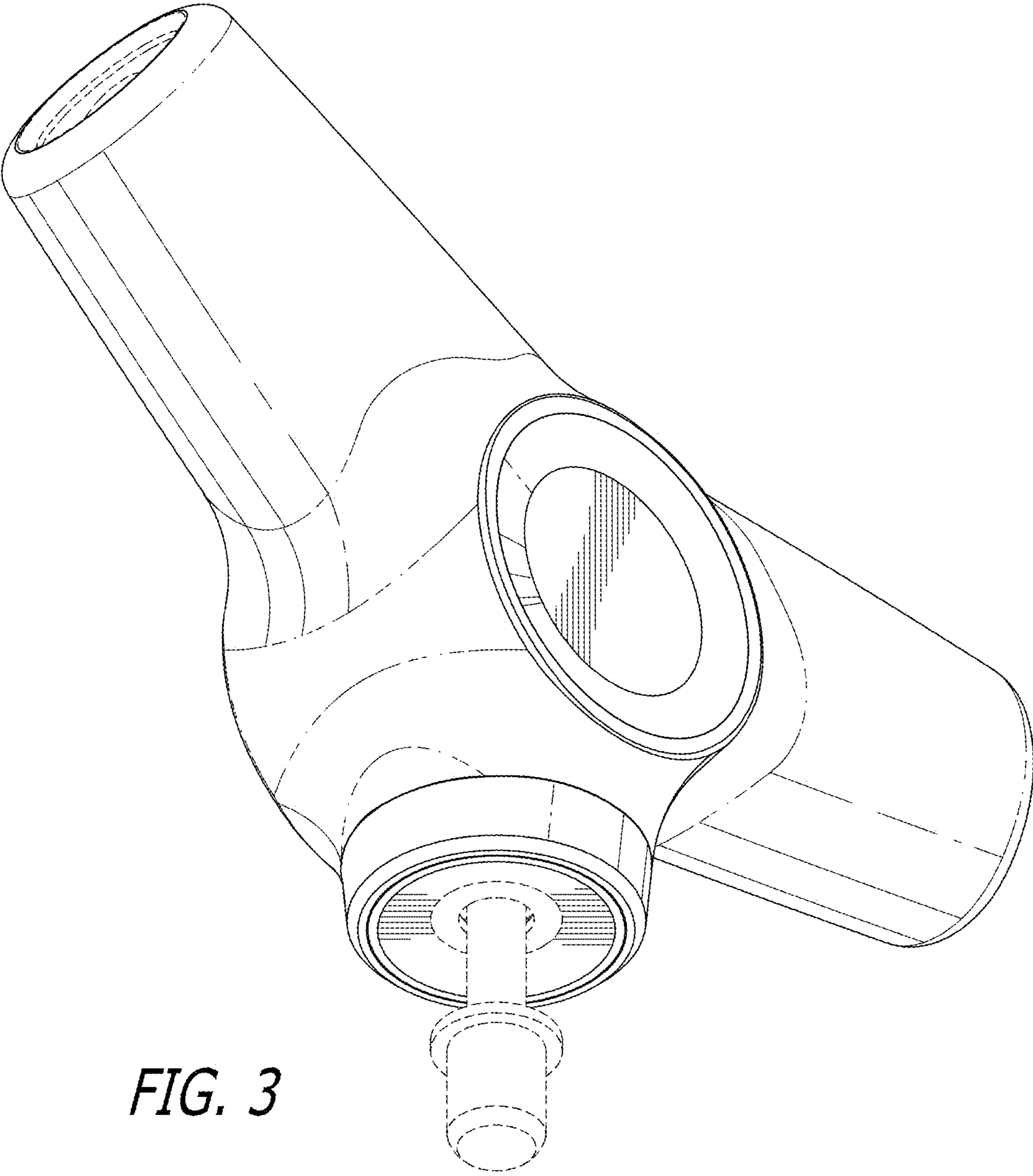




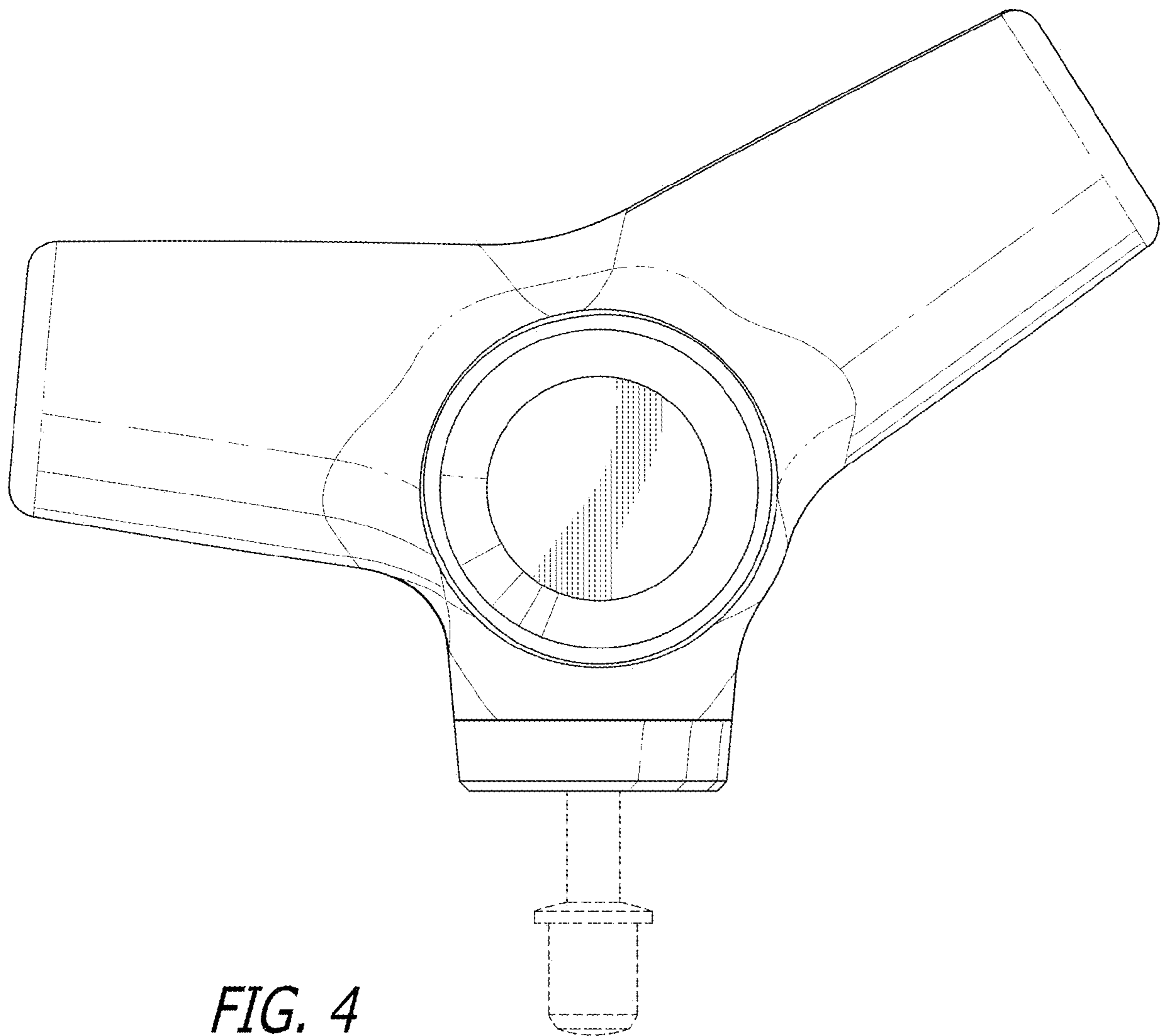
*FIG. 1*



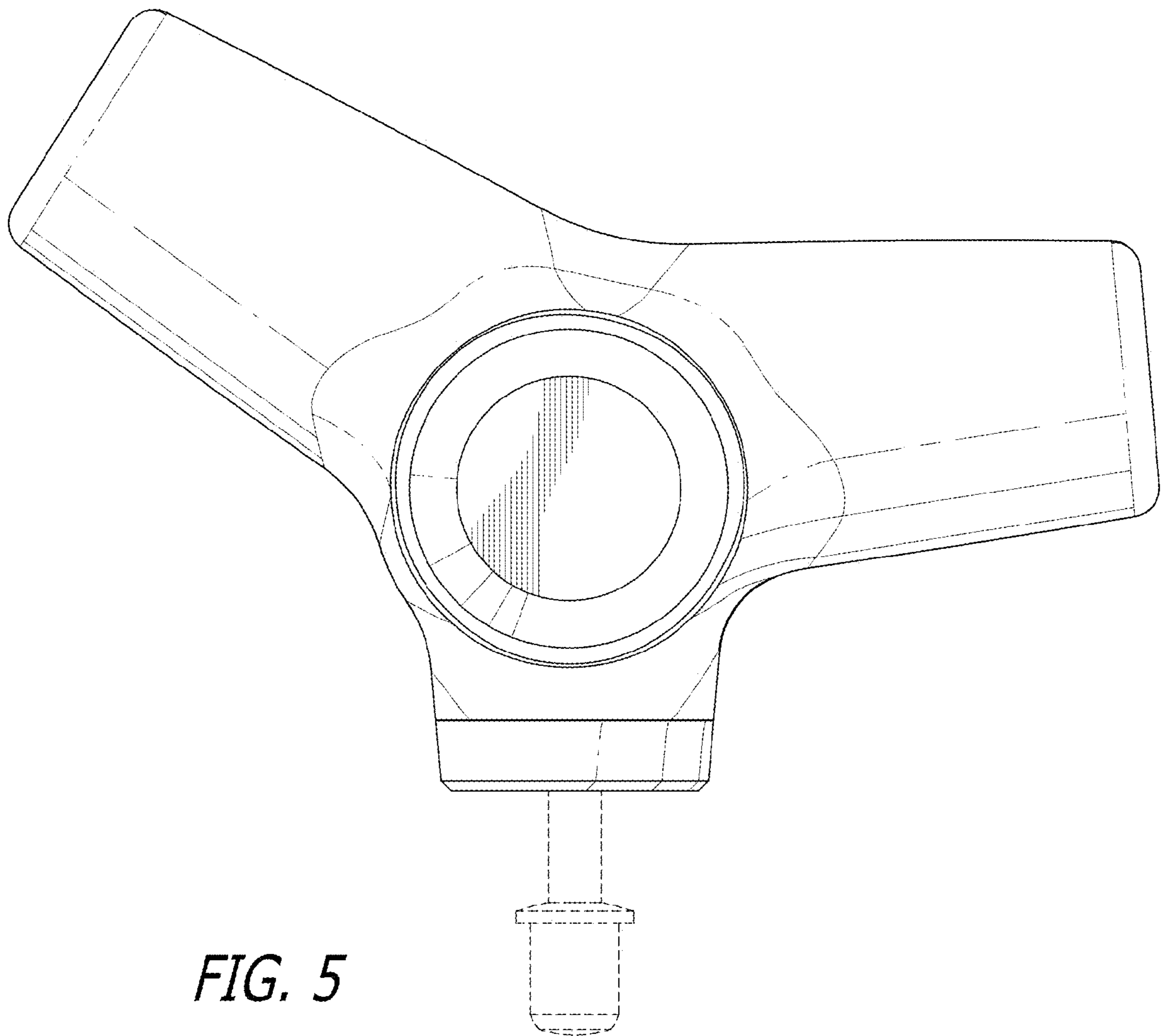
*FIG. 2*



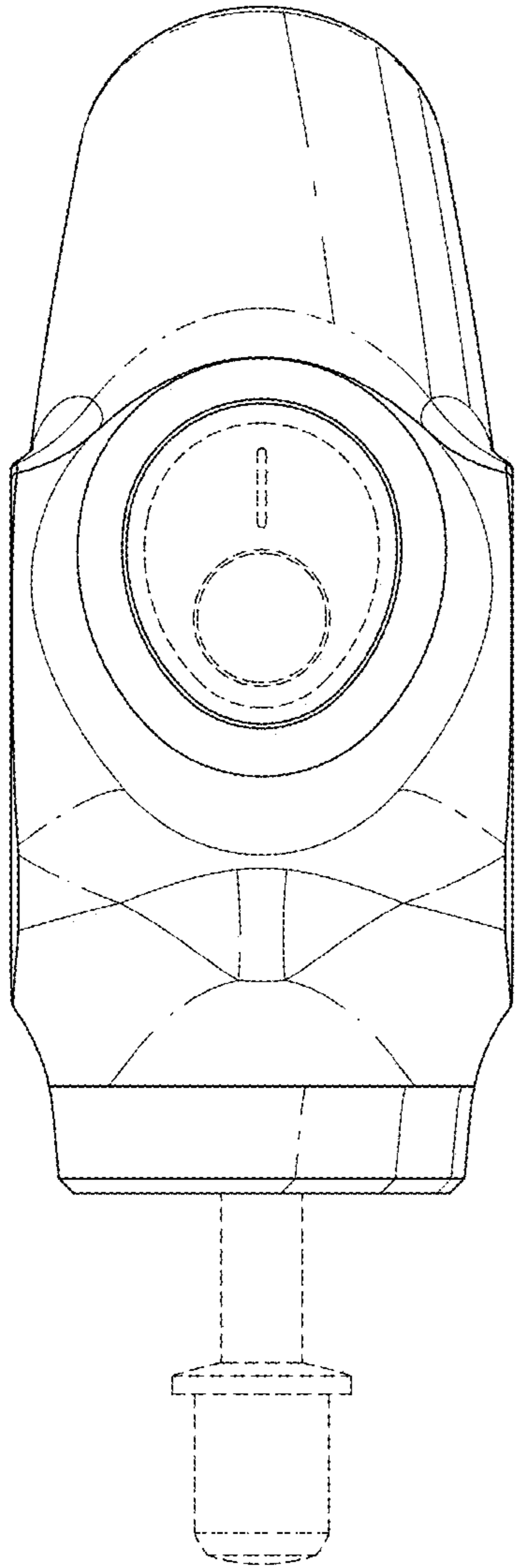
*FIG. 3*



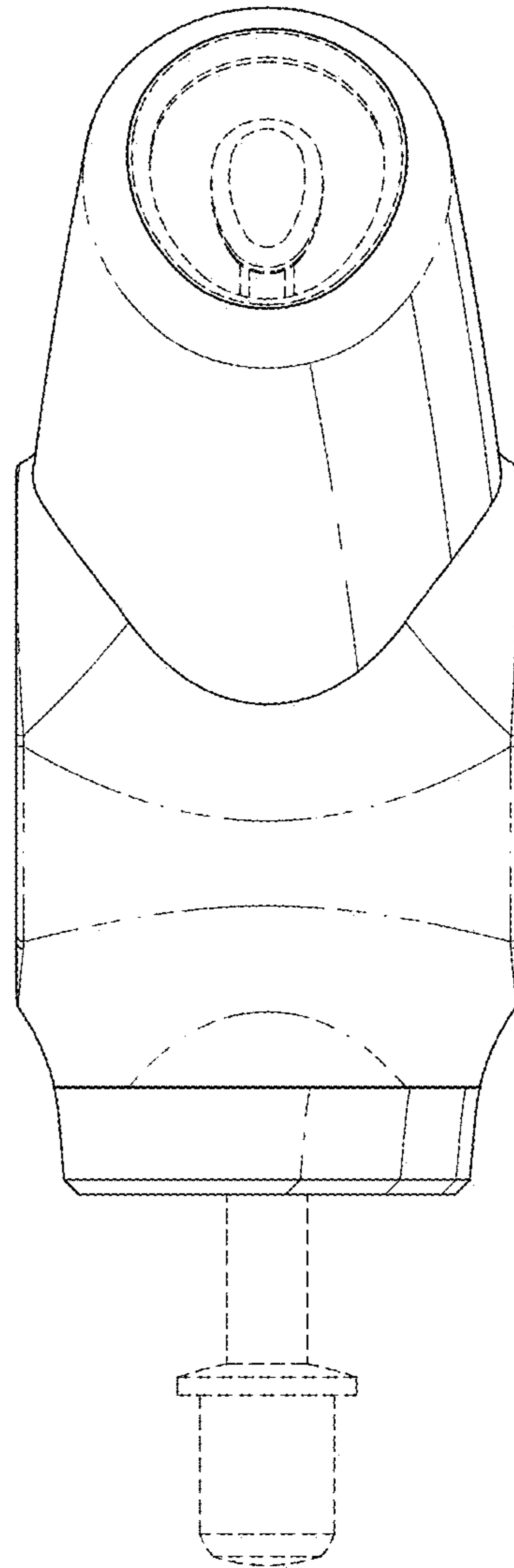
*FIG. 4*



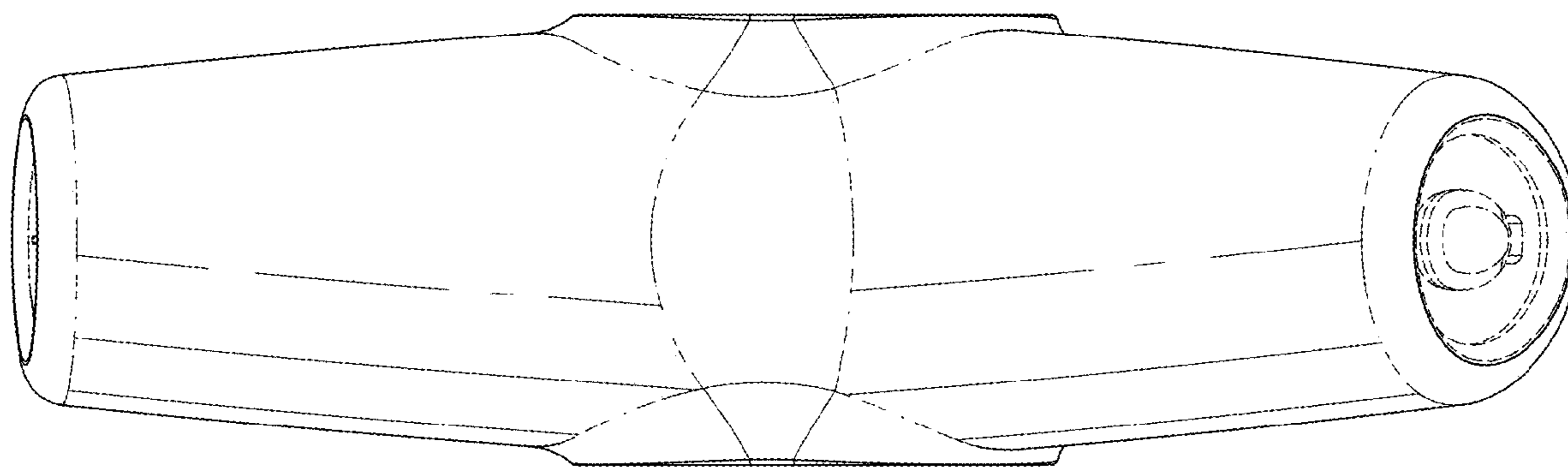
*FIG. 5*



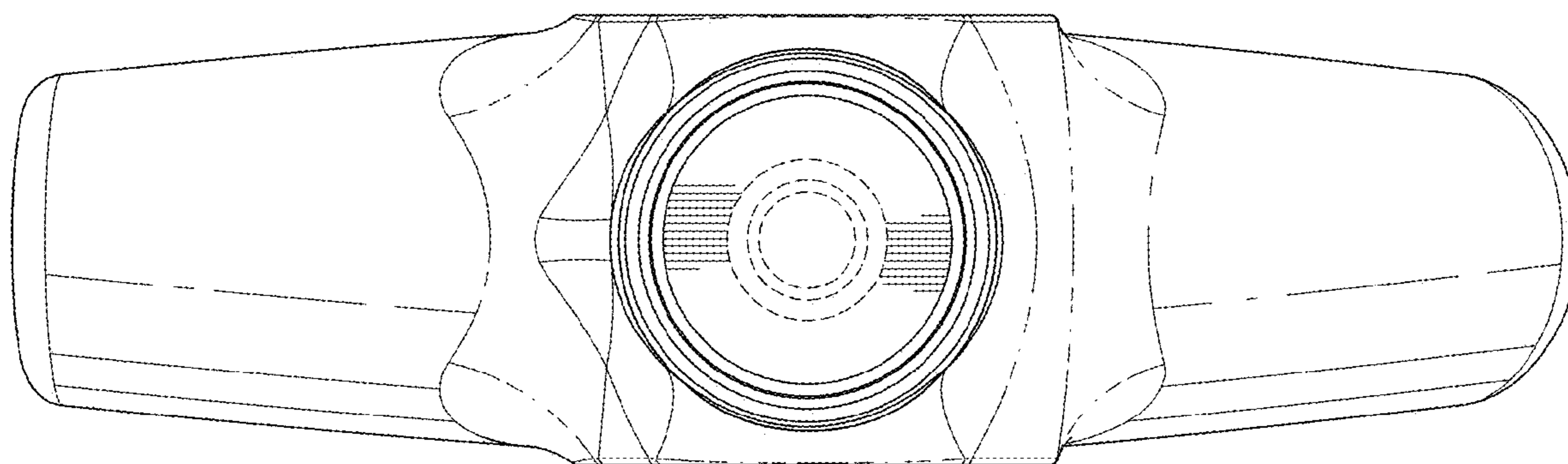
*FIG. 6*



*FIG. 7*



*FIG. 8*



*FIG. 9*