

US00D969334S

(12) **United States Design Patent** (10) **Patent No.:** **US D969,334 S**
Wu (45) **Date of Patent:** **** Nov. 8, 2022**

(54) **NECK MASSAGER**

(71) Applicant: **Shenzhen GooDrone Intelligent Technology Co., Ltd, Shenzhen (CN)**

(72) Inventor: **Yong Wu, Guangdong (CN)**

(73) Assignee: **Shenzhen GooDrone Intelligent Technology Co., Ltd., Shenzhen (CN)**

(**) Term: **15 Years**

(21) Appl. No.: **29/759,928**

(22) Filed: **Nov. 25, 2020**

(30) **Foreign Application Priority Data**

Oct. 26, 2020 (CN) 202030639095.8

(51) **LOC (13) Cl.** **28-03**

(52) **U.S. Cl.**
USPC **D24/215**

(58) **Field of Classification Search**
USPC D24/191, 200, 211, 212, 213, 214, 215
CPC A61H 2205/04; A61H 7/007; A61H 2201/1609; A61H 2205/062; A61H 2201/0207

See application file for complete search history.

(56) **References Cited**

U.S. PATENT DOCUMENTS

D901,033 S * 11/2020 Liang D24/211
D903,139 S * 11/2020 Liang D24/215
D905,266 S * 12/2020 Liu D24/215
D911,542 S * 2/2021 Zhang D24/215
D921,214 S * 6/2021 Wu D24/215

D926,336 S * 7/2021 Zhang D24/215
D941,487 S * 1/2022 Liu D24/215
D942,032 S * 1/2022 Liu D24/215
2020/0238072 A1 * 7/2020 Liu A61N 1/0476

OTHER PUBLICATIONS

Amazon, "Noova Neck Massager", May 30, 2020. https://www.amazon.com/Noova-Massager-Massage-Therapy-Intelligent/dp/B09C1Q2W2G/ref=cm_cr_ar_p_d_product_top?ie=UTF8. Shown on p. 1. (Year: 2020).*

* cited by examiner

Primary Examiner — Michael A Maharajh
(74) *Attorney, Agent, or Firm* — Andrew C. Cheng

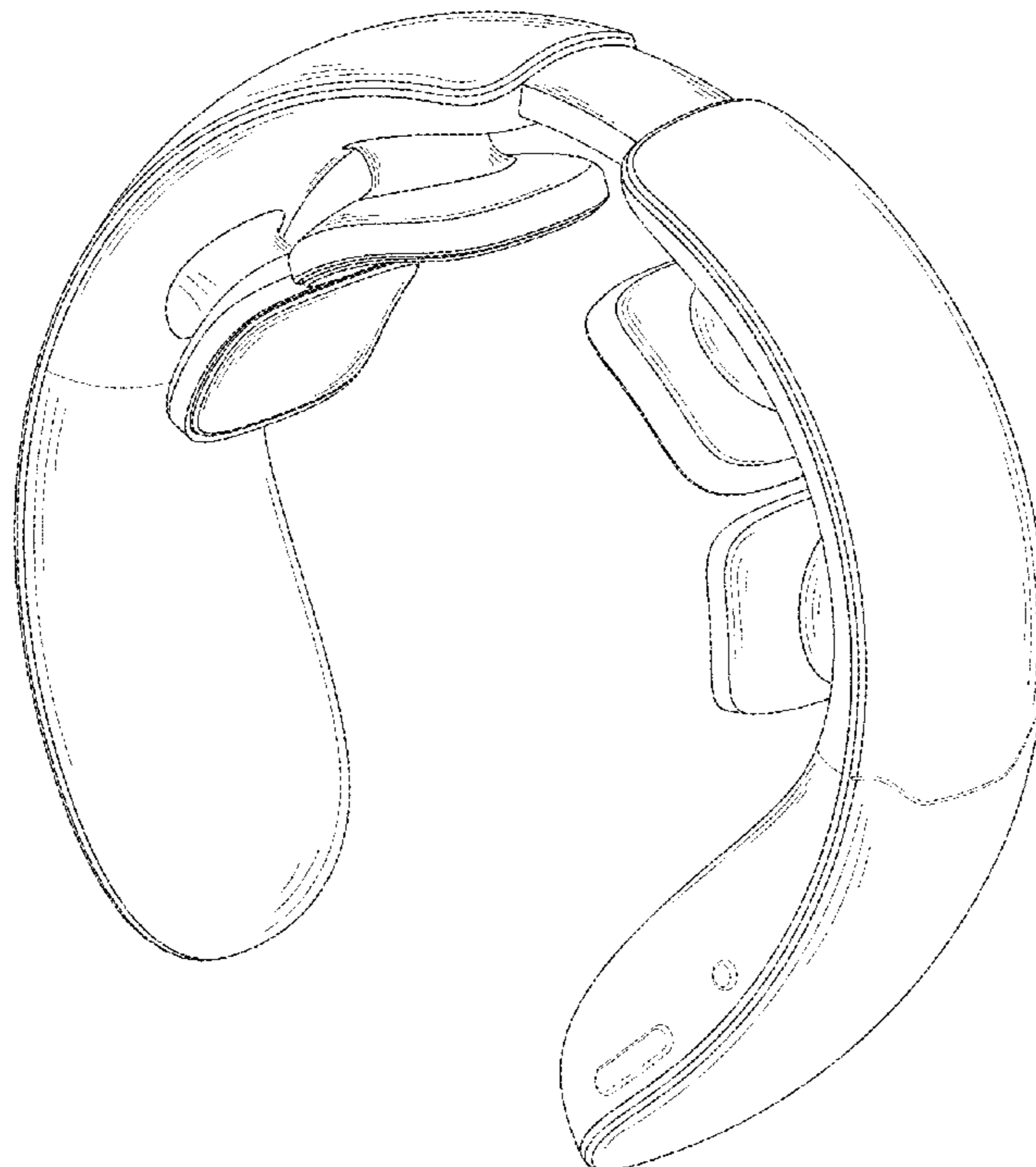
(57) **CLAIM**

I claim the ornamental design for a neck massager, as shown and described.

DESCRIPTION

FIG. 1 is a top perspective view of a neck massager showing my new design;
FIG. 2 is a bottom perspective view thereof;
FIG. 3 is a front view thereof;
FIG. 4 is a rear view thereof;
FIG. 5 is a left side view thereof;
FIG. 6 is a right side view thereof;
FIG. 7 is a top view thereof; and,
FIG. 8 is a bottom view thereof.
The broken lines shown in the drawings are for the purpose of illustrating portions of the neck massager, which form no part of the claimed design.

1 Claim, 6 Drawing Sheets



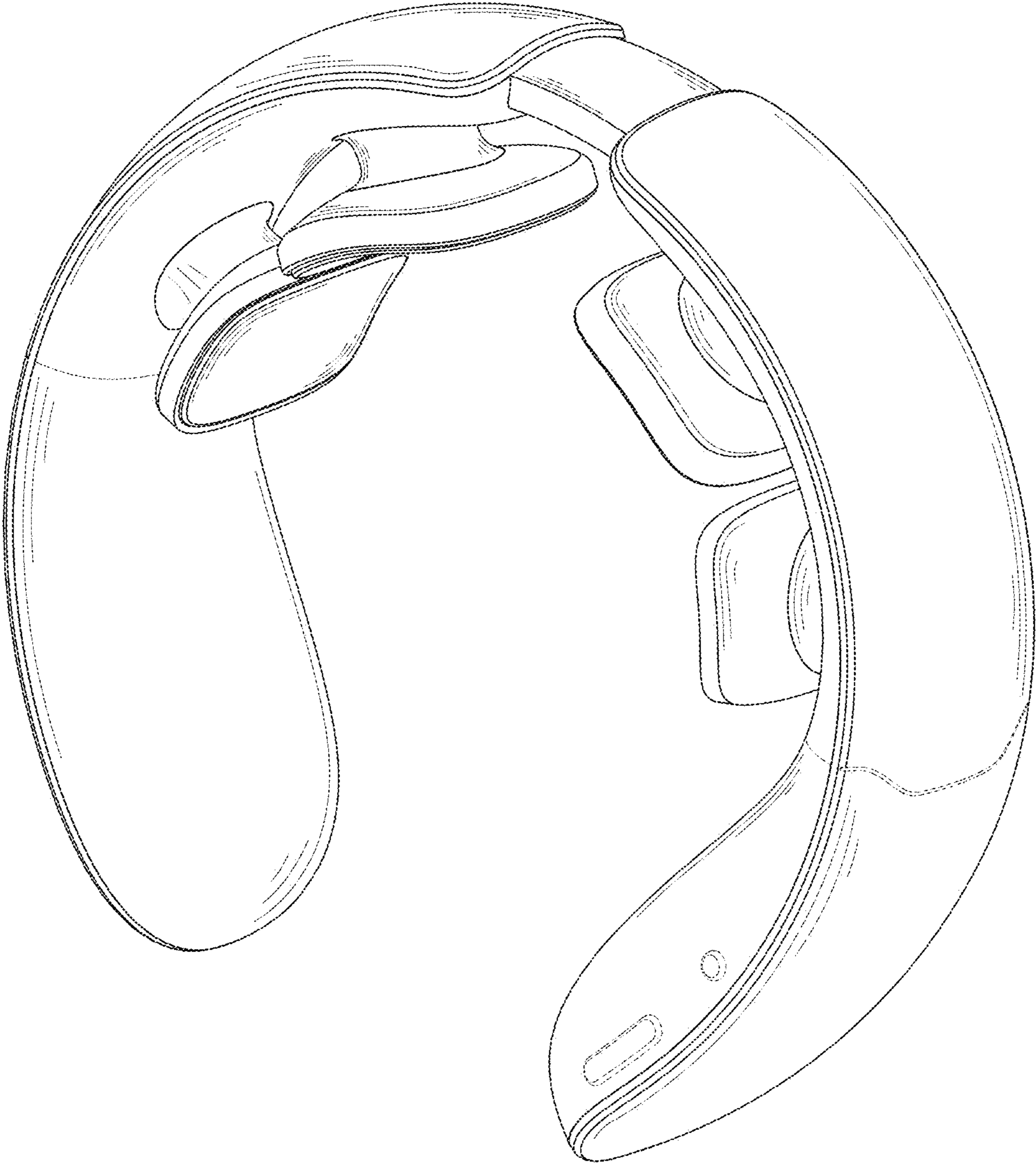


FIG. 1

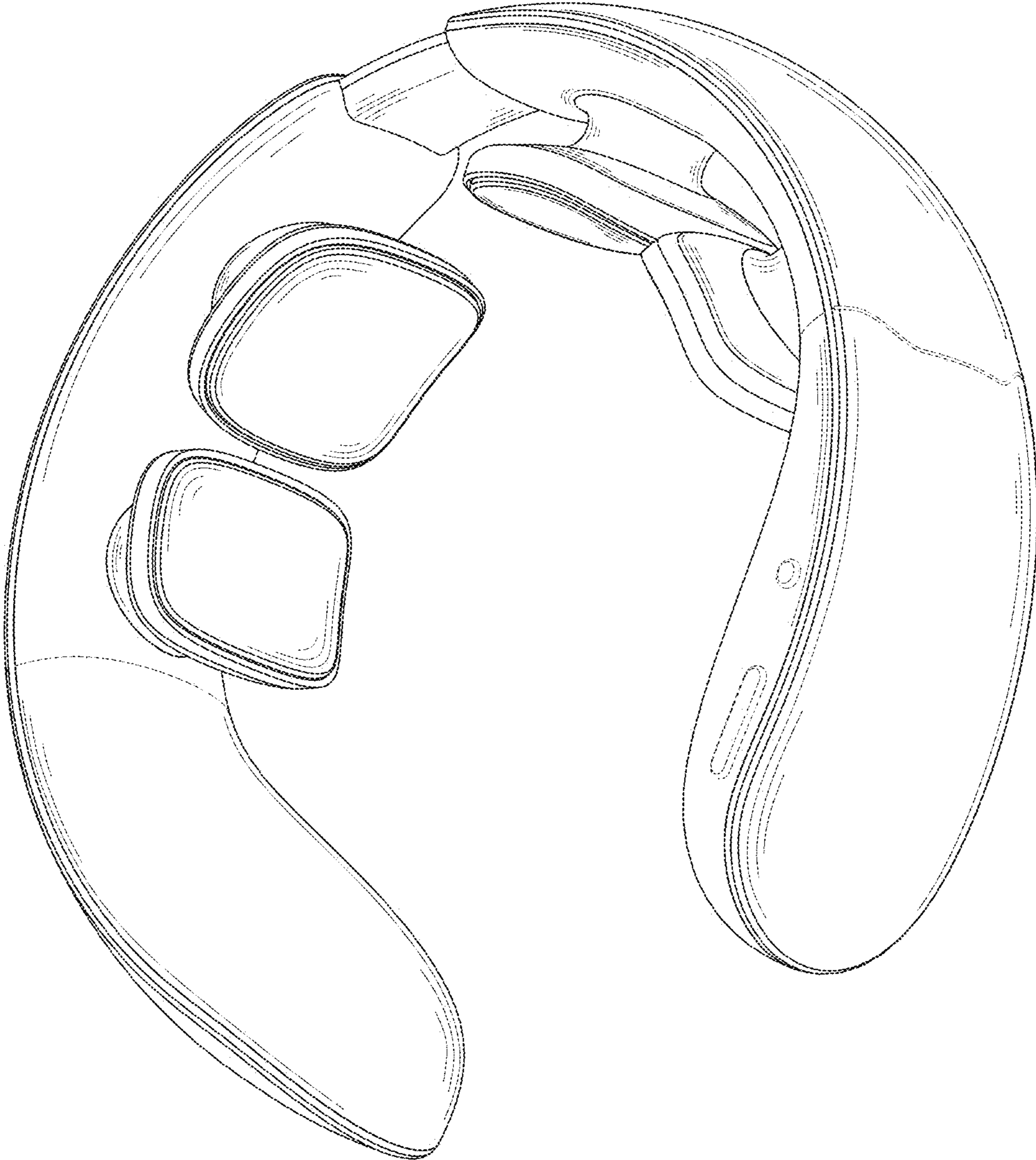


FIG. 2



FIG. 3



FIG. 4

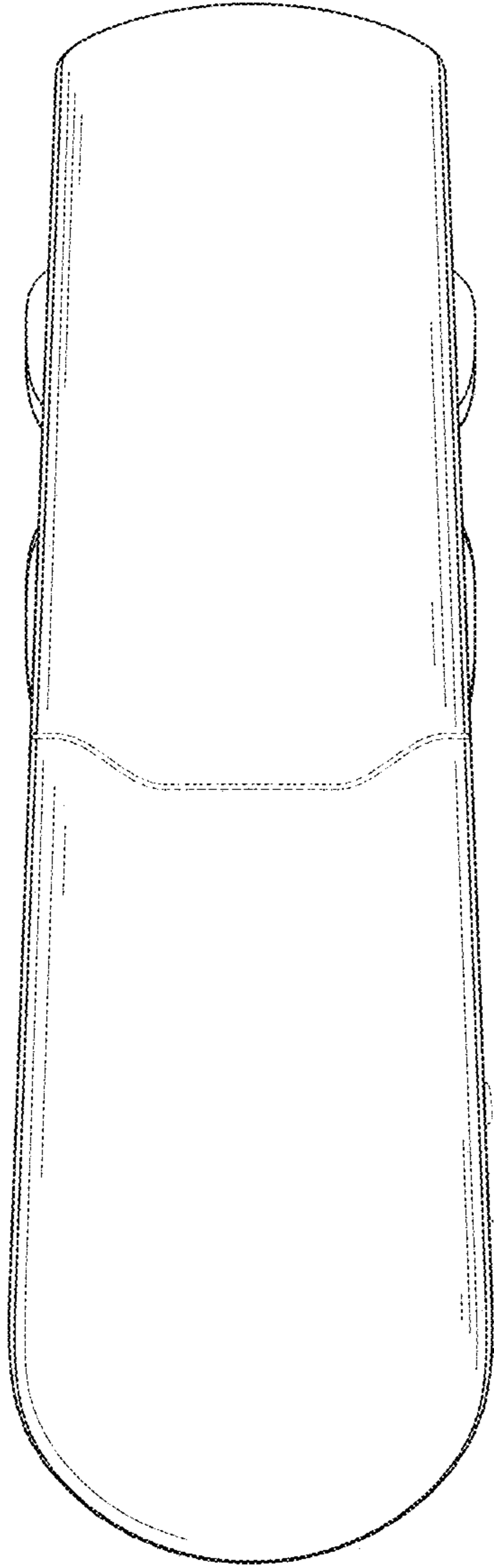


FIG. 5

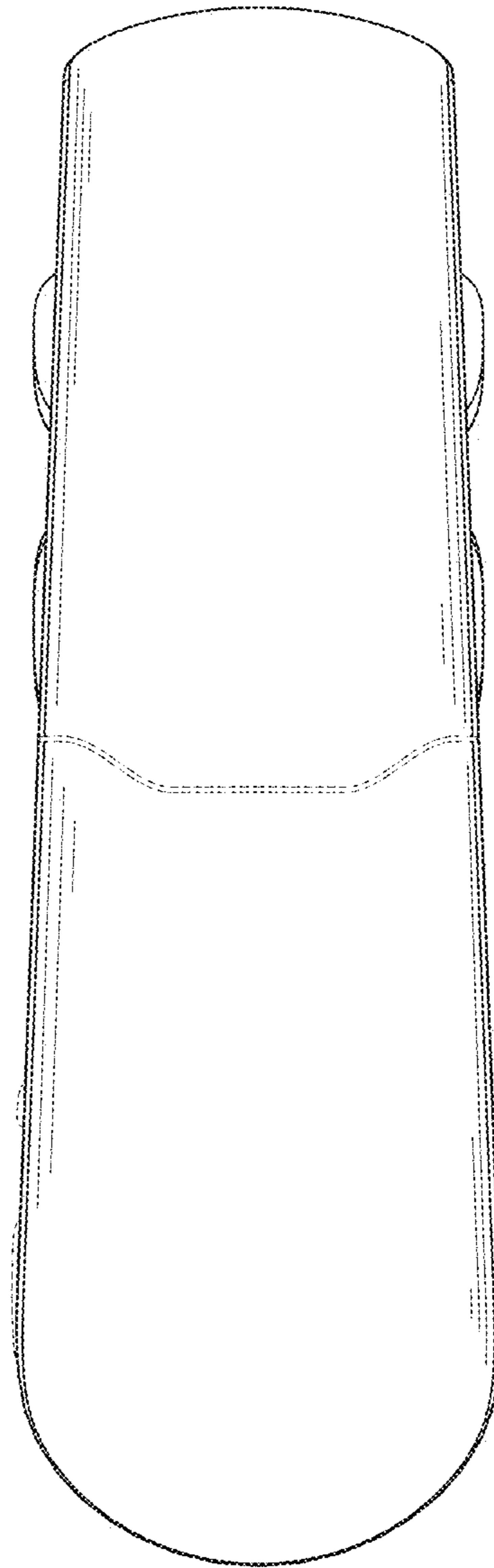


FIG. 6

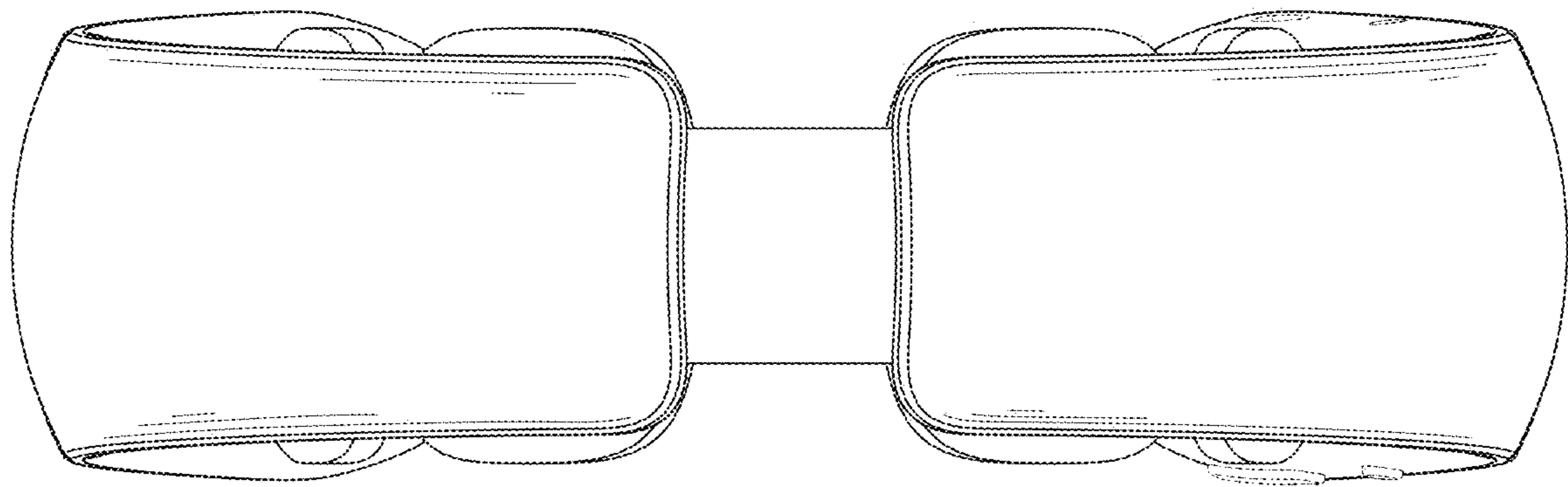


FIG. 7

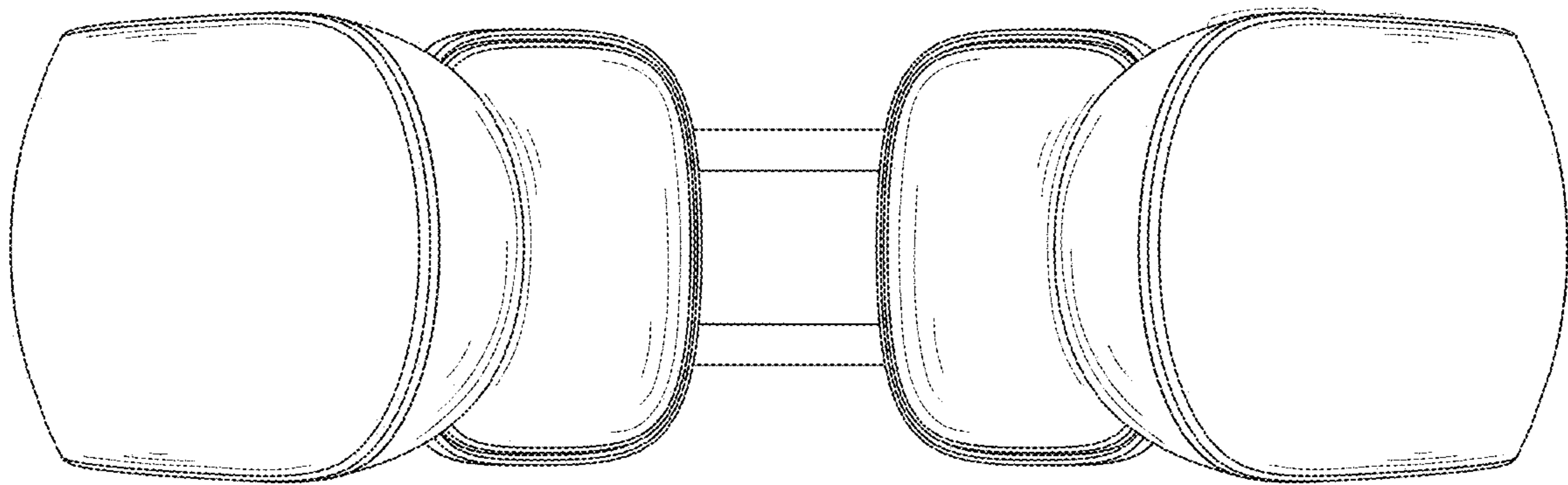


FIG. 8