



US00D969333S

(12) **United States Design Patent** (10) **Patent No.:** **US D969,333 S**
Brown (45) **Date of Patent:** **** Nov. 8, 2022**

(54) **MASSAGER**

FOREIGN PATENT DOCUMENTS

(71) Applicant: **FKA Distributing Co., LLC**,
Commerce Township, MI (US)

CN 302145132 S 10/2012
CN 303962039 S 12/2016

(Continued)

(72) Inventor: **Karen Brown**, Kent (GB)

OTHER PUBLICATIONS

(73) Assignee: **FKA Distributing Co., LLC**,
Commerce Township, MI (US)

HoMedics, "smoothee instruction manual", CELL-500-SA, 4 pages,
2017.

(**) Term: **15 Years**

Primary Examiner — Michael A Maharajh

(21) Appl. No.: **29/757,699**

(74) *Attorney, Agent, or Firm* — Brooks Kushman P.C.

(22) Filed: **Nov. 9, 2020**

(51) **LOC (13) Cl.** **28-03**

(57) **CLAIM**

(52) **U.S. Cl.**
USPC **D24/215**

The ornamental design for a massager, as shown and
described.

(58) **Field of Classification Search**
USPC D24/133, 200, 211, 212, 213, 214, 215;
D28/63; D4/100
CPC A61H 2201/1671; A61H 39/04; A61H
7/003; A61H 7/007; A61H 2201/1635;
A61N 5/0616
See application file for complete search history.

DESCRIPTION

(56) **References Cited**

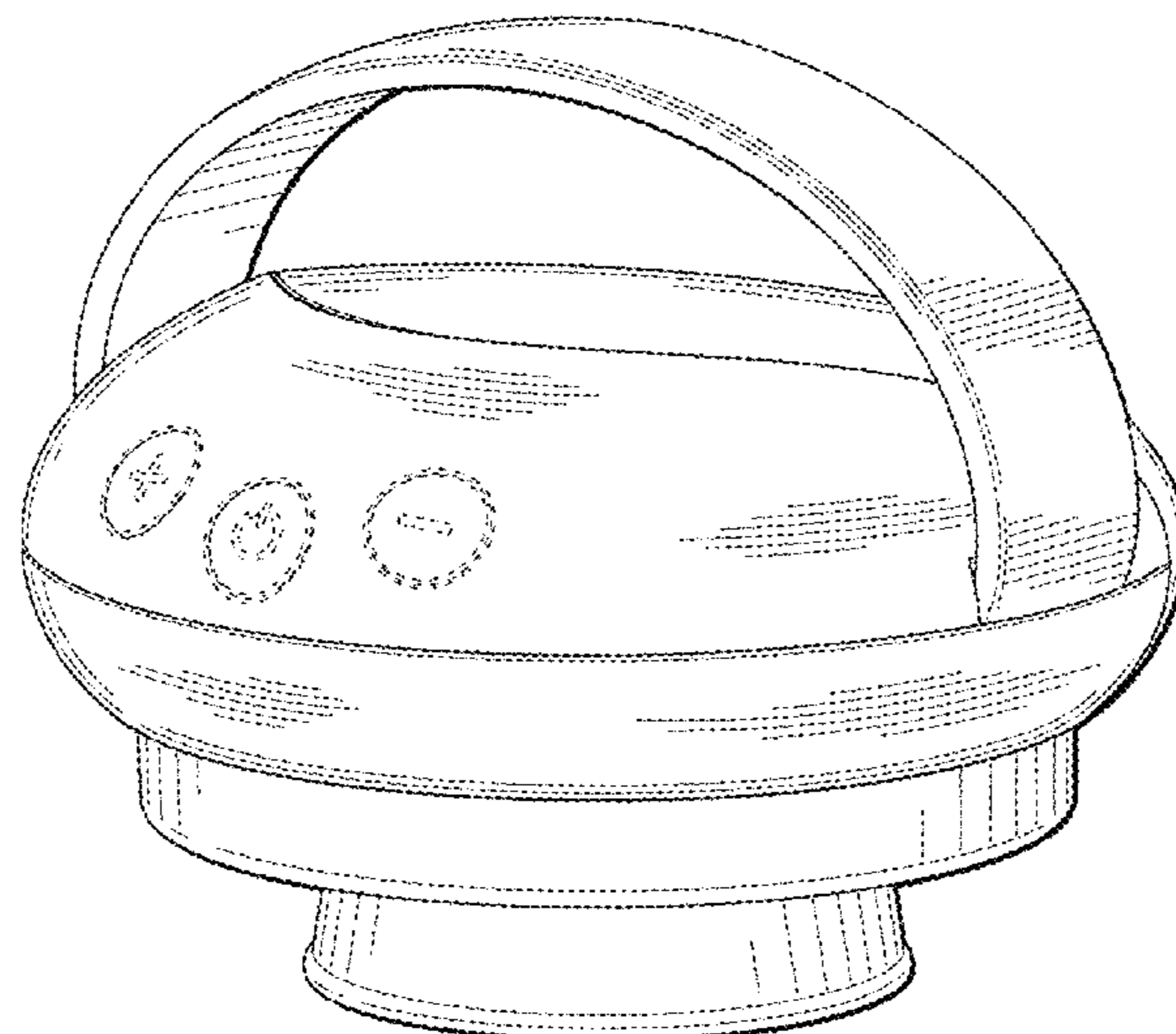
U.S. PATENT DOCUMENTS

D261,428 S *	10/1981	Noble	D24/211
D262,908 S *	2/1982	Pesco	D24/214
D331,466 S *	12/1992	Doria	D24/200
D346,660 S *	5/1994	Chiang	D24/215
6,241,696 B1 *	6/2001	York	A61H 15/0092 601/131
D581,541 S *	11/2008	Ferber	D24/215
D581,542 S *	11/2008	Ferber	D24/214
D583,064 S *	12/2008	Ferber	D24/214
D583,480 S *	12/2008	Ferber	D24/215
D599,029 S *	8/2009	Ferber	D24/214
D704,346 S *	5/2014	Tai	D24/215
D704,347 S *	5/2014	Tai	D24/215
D715,954 S *	10/2014	Sedic	A61H 23/004 D24/215

FIG. 1 is a perspective view of a massager according to an
embodiment;
FIG. 2 is a front view of the massager of FIG. 1;
FIG. 3 is a rear view of the massager of FIG. 1;
FIG. 4 is a right side view of the massager of FIG. 1;
FIG. 5 is a left side view of the massager of FIG. 1;
FIG. 6 is a top view of the massager of FIG. 1;
FIG. 7 is a bottom view of the massager of FIG. 1;
FIG. 8 is a perspective view of a massager according to
another embodiment;
FIG. 9 is a front view of the massager of FIG. 8;
FIG. 10 is a rear view of the massager of FIG. 8;
FIG. 11 is a right side view of the massager of FIG. 8;
FIG. 12 is a left side view of the massager of FIG. 8;
FIG. 13 is a top view of the massager of FIG. 8; and,
FIG. 14 is a bottom view of the massager of FIG. 8.
The broken lines in the drawings are for the purpose of
illustrating portions of the massager which form no part of
the claimed design.

(Continued)

1 Claim, 8 Drawing Sheets



(56)

References Cited

U.S. PATENT DOCUMENTS

D732,679 S 6/2015 Assa et al.
D733,310 S 6/2015 Assa et al.
D752,235 S 3/2016 Levi et al.
D752,237 S * 3/2016 Cole D24/200
D752,298 S * 3/2016 Stephens D24/200
D768,867 S * 10/2016 Hetzel D24/214
D842,489 S * 3/2019 Spewock D24/215
2017/0340510 A1 * 11/2017 Spewock A61H 7/003

FOREIGN PATENT DOCUMENTS

CN 304382086 S 12/2017
CN 304977043 S 1/2019
CN 305039285 S 2/2019
CN 305105883 S 4/2019
CN 305162727 S 5/2019
CN 305526458 S 12/2019
CN 305930902 S 7/2020
JP 1374489 S 10/2009
JP 1412610 S 4/2011
JP 1513737 S 11/2014
JP 1551485 S 5/2016
JP 1559626 S 8/2016
JP 1562983 S 10/2016
JP 1562989 S 10/2016
JP 1562998 S 10/2016
JP 1572611 S 2/2017

* cited by examiner

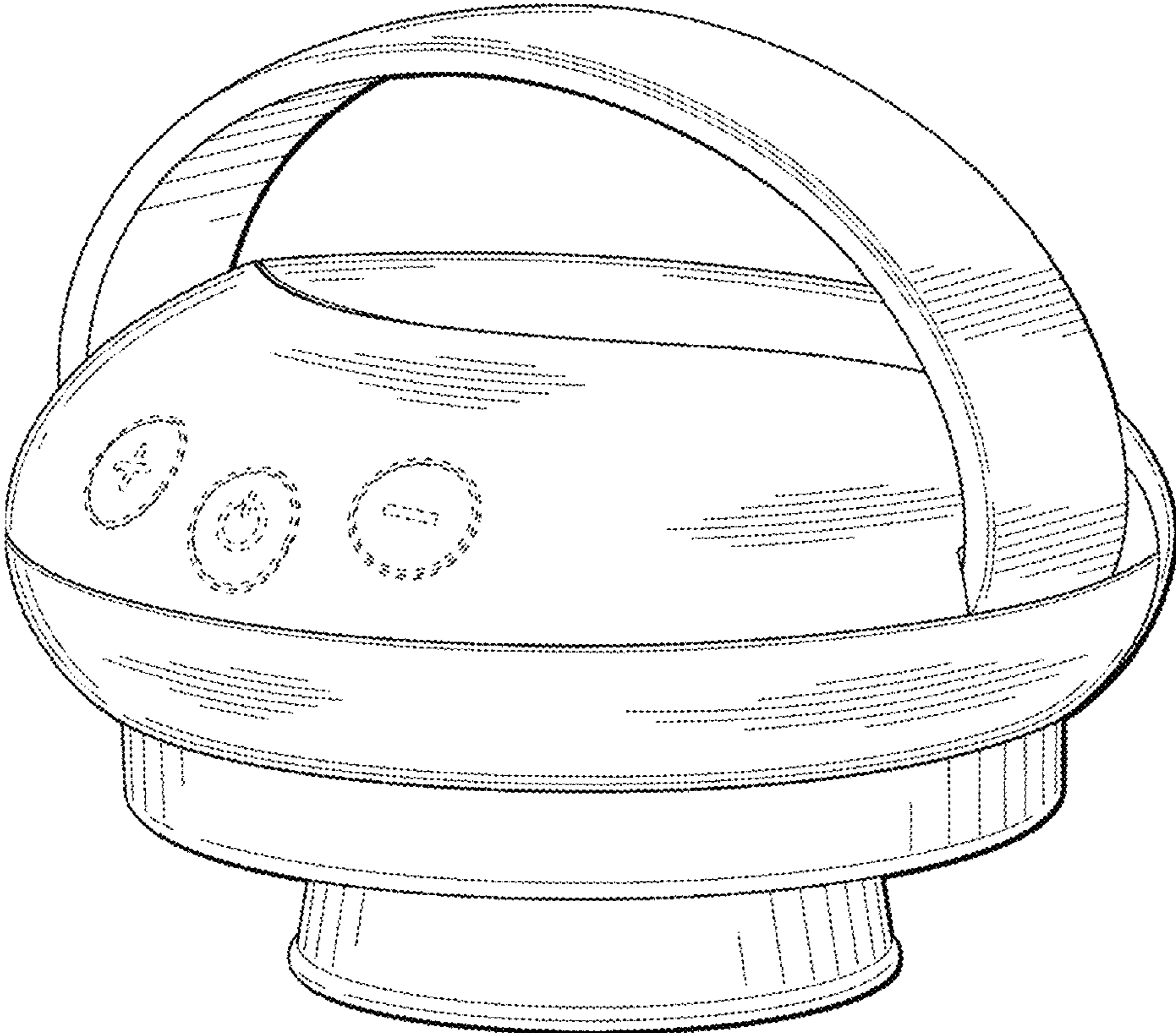


FIG. 1

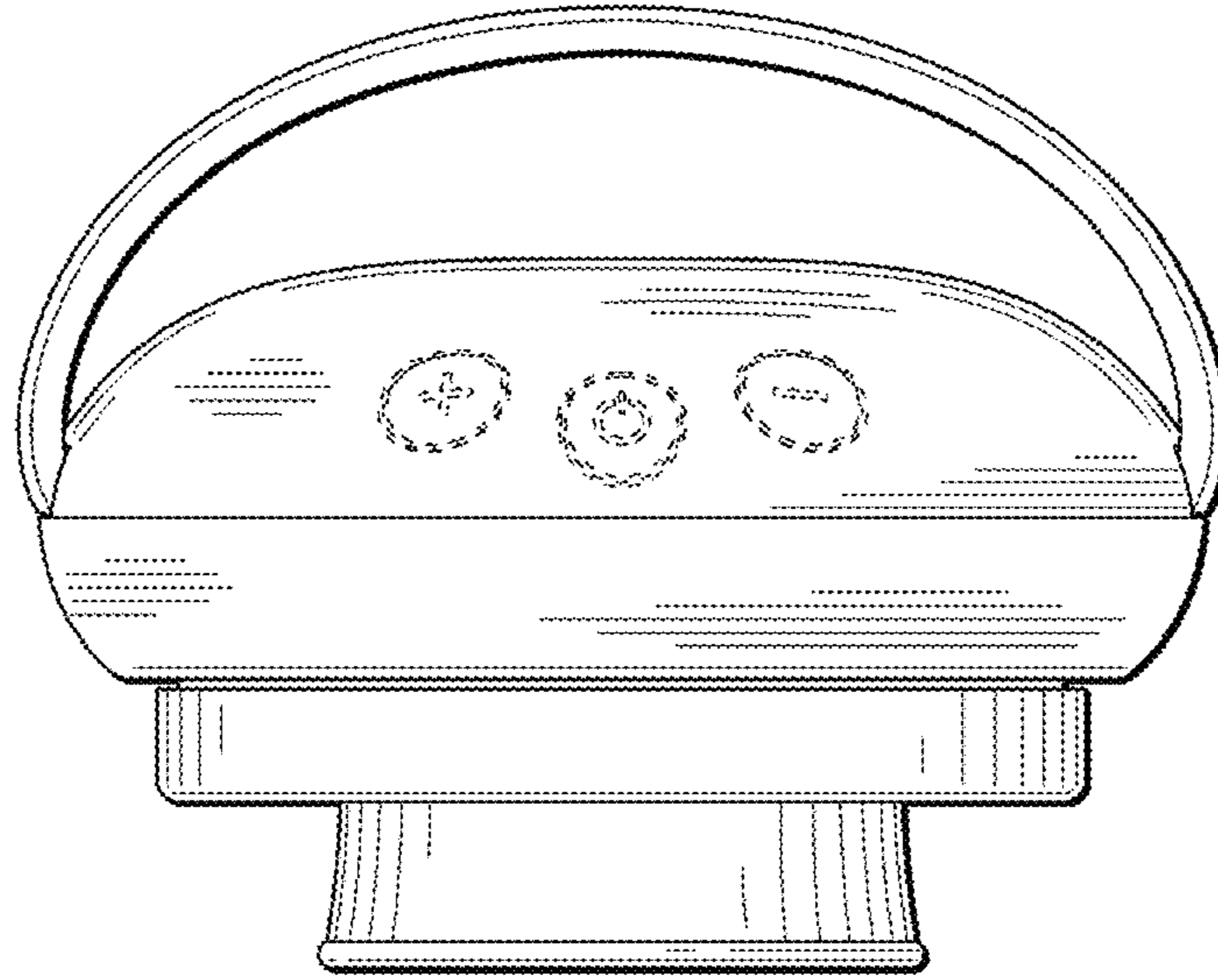


FIG. 2

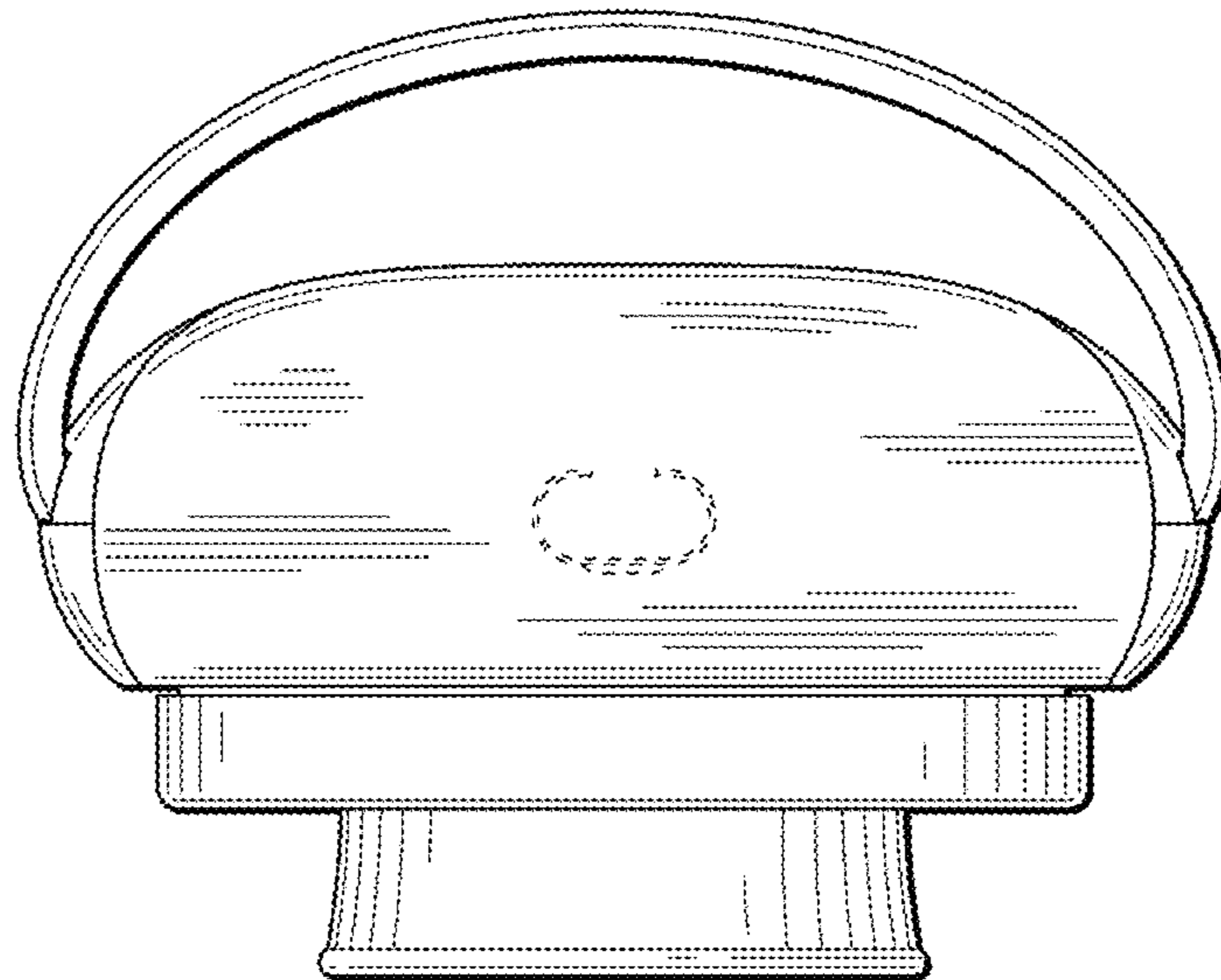


FIG. 3

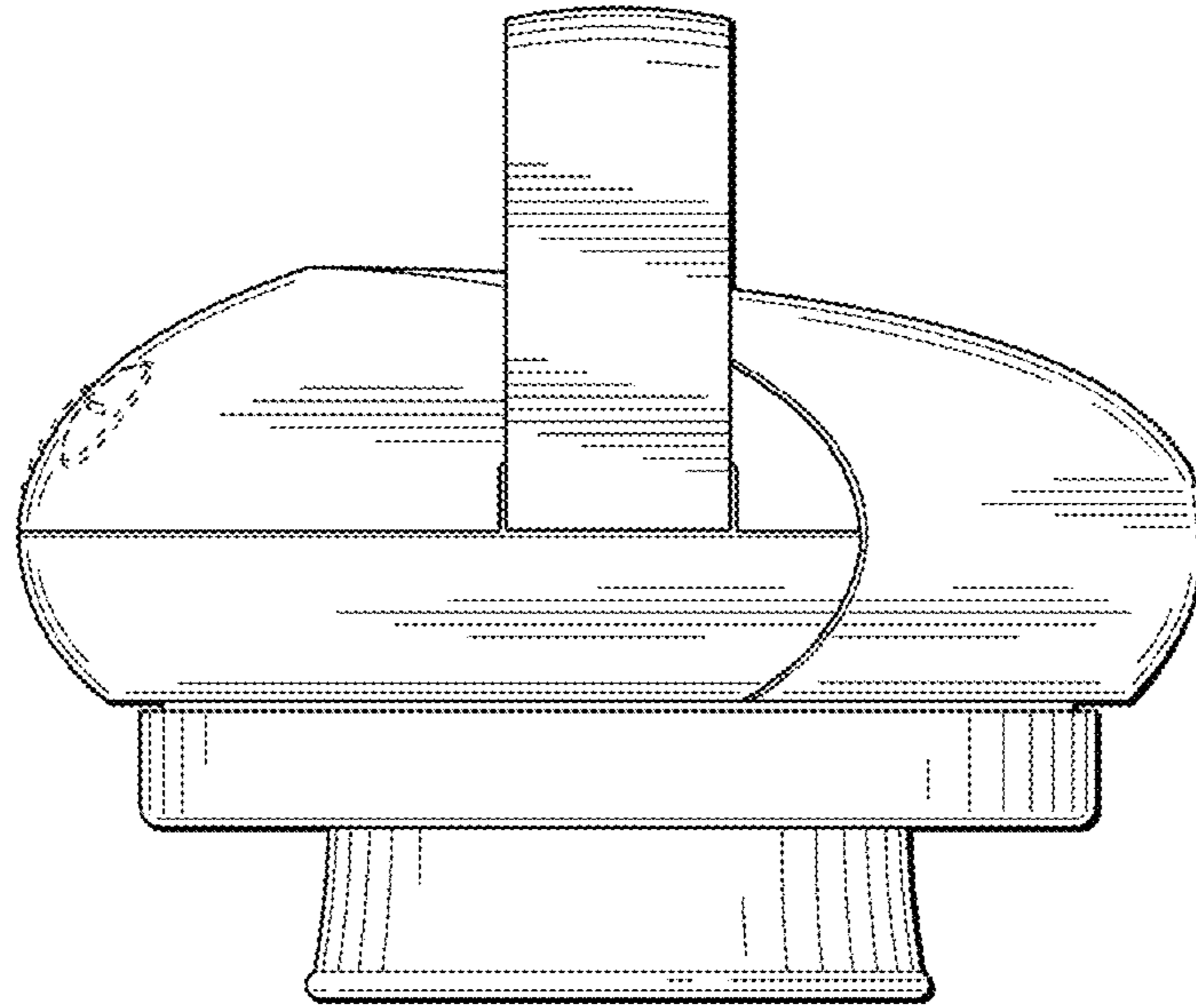


FIG. 4

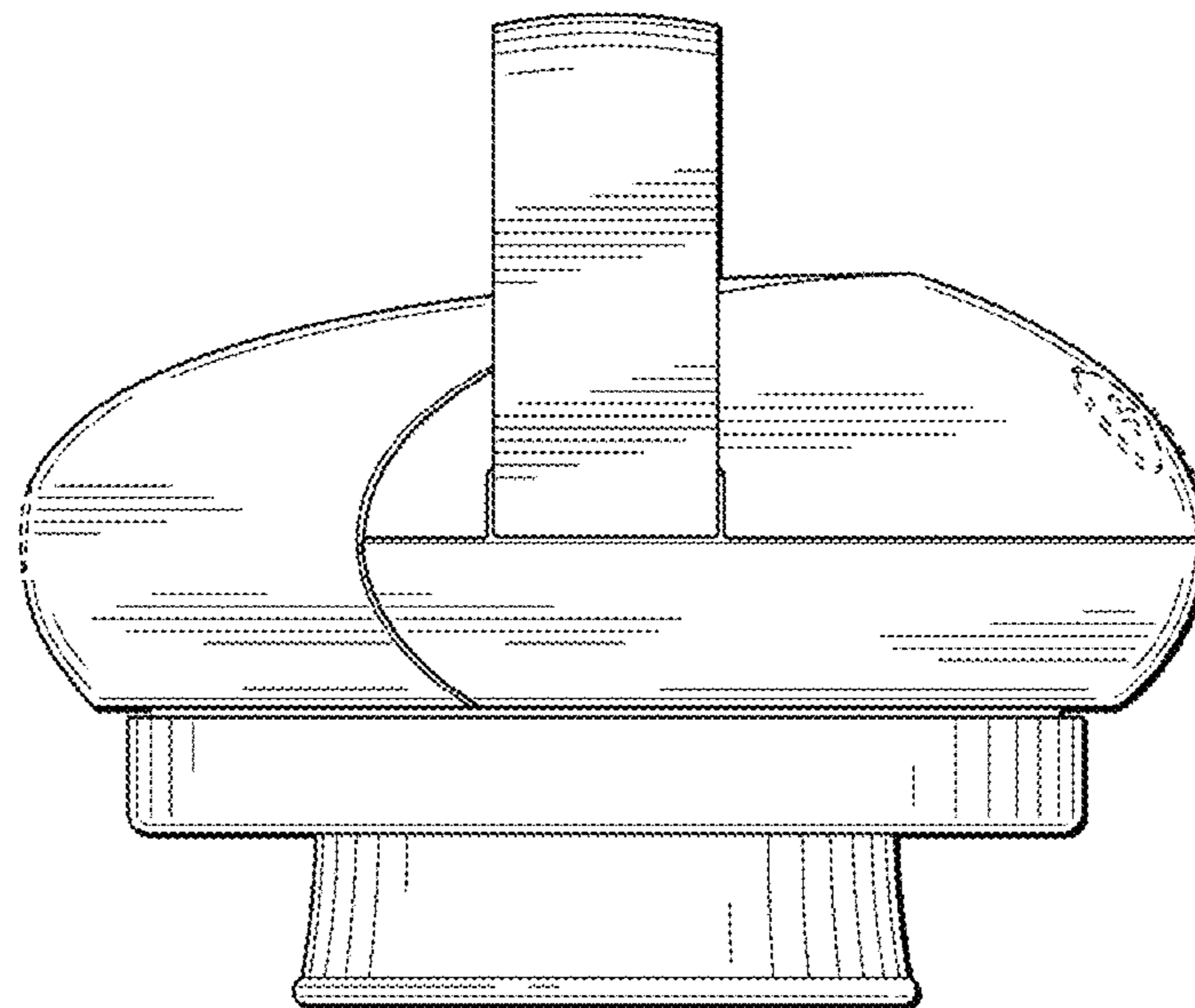


FIG. 5

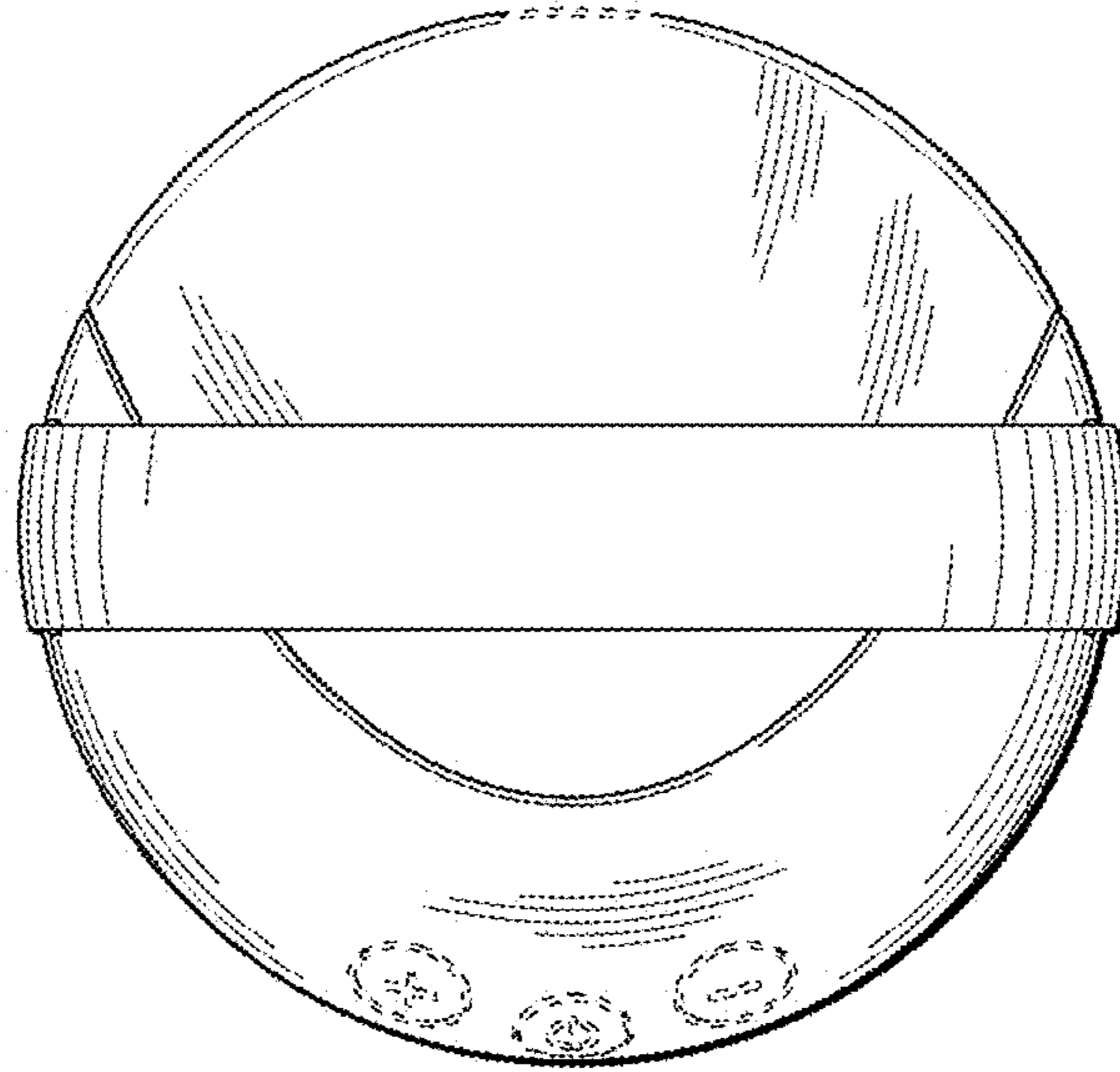


FIG. 6

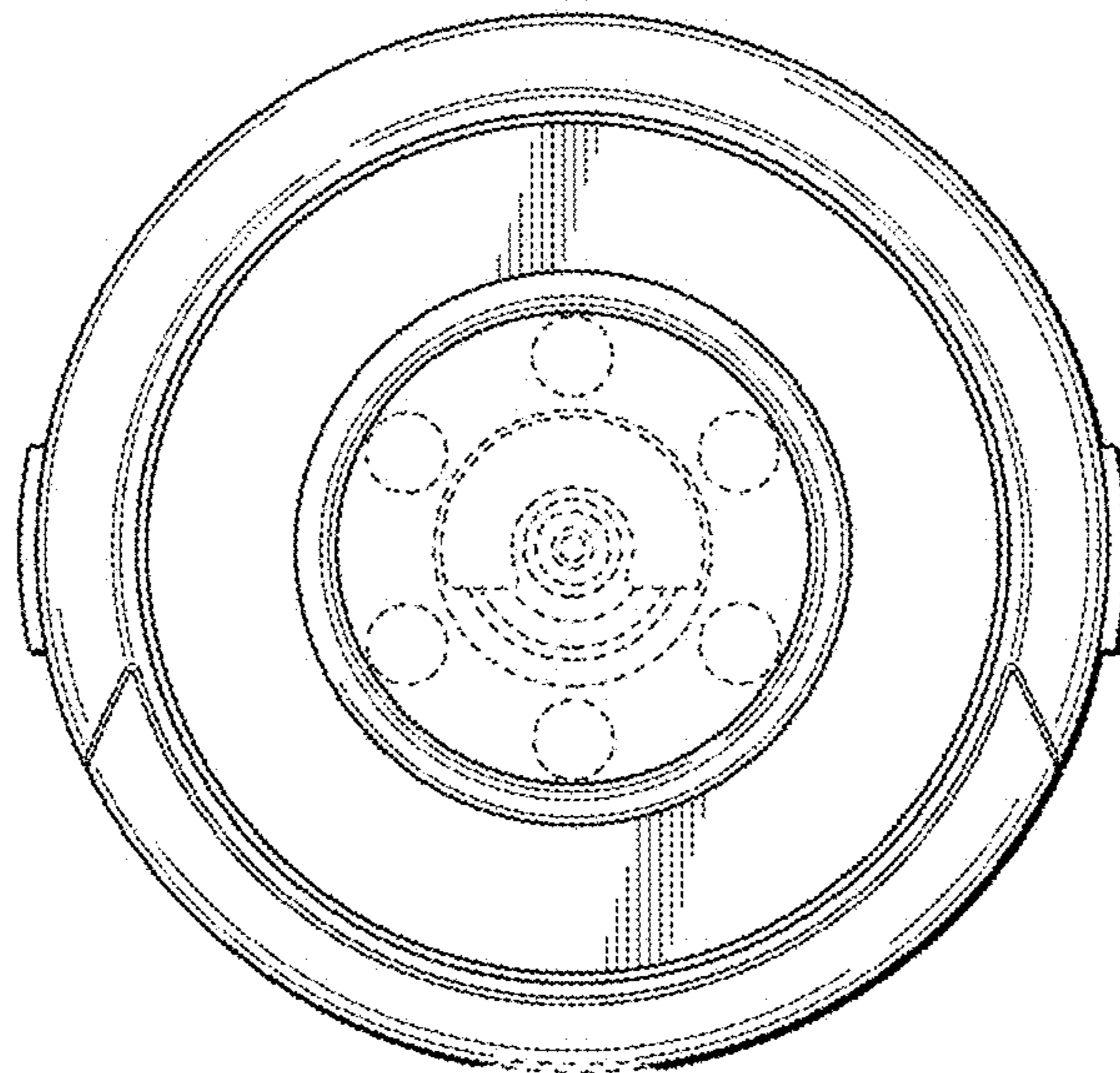


FIG. 7

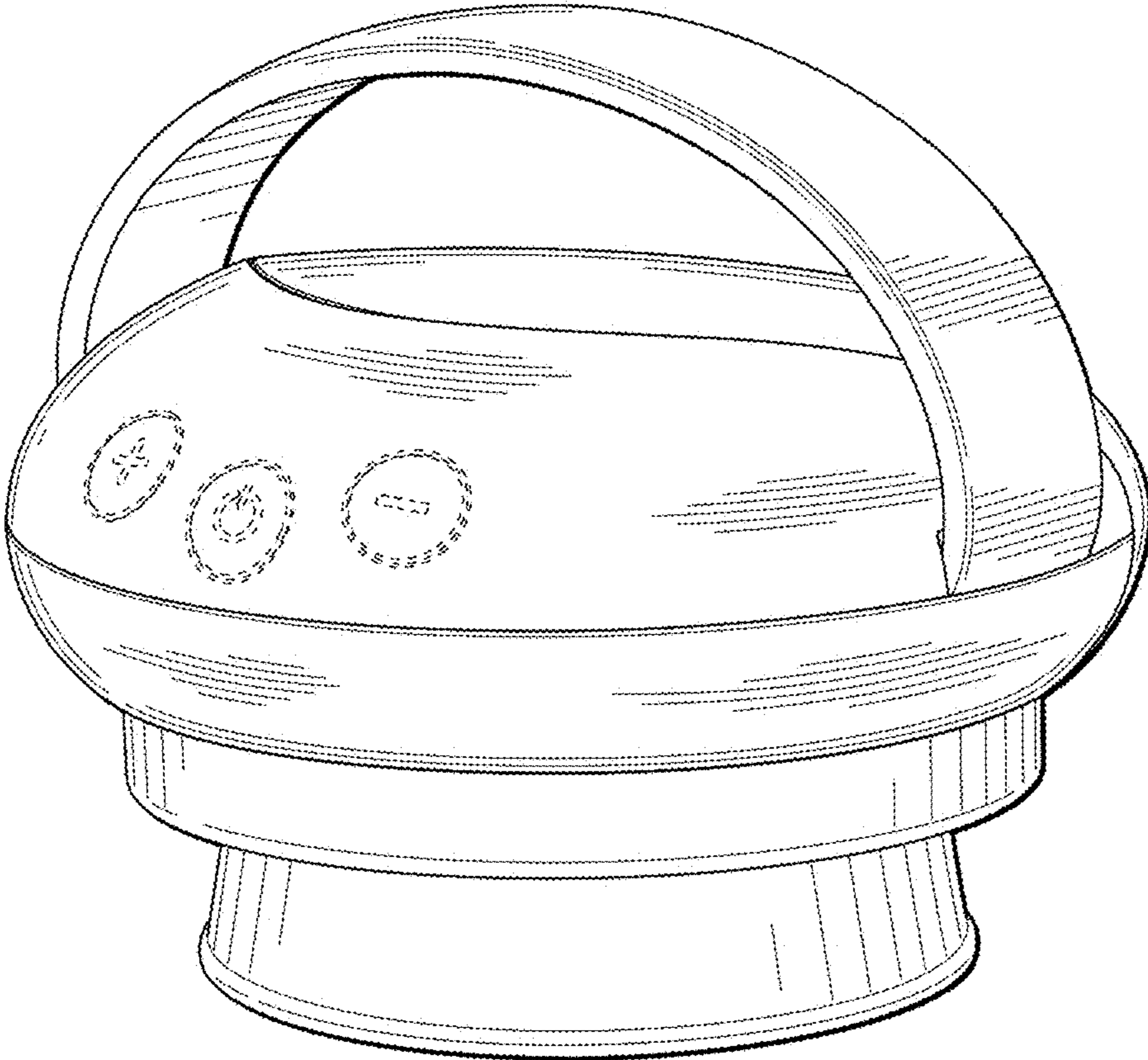


FIG. 8

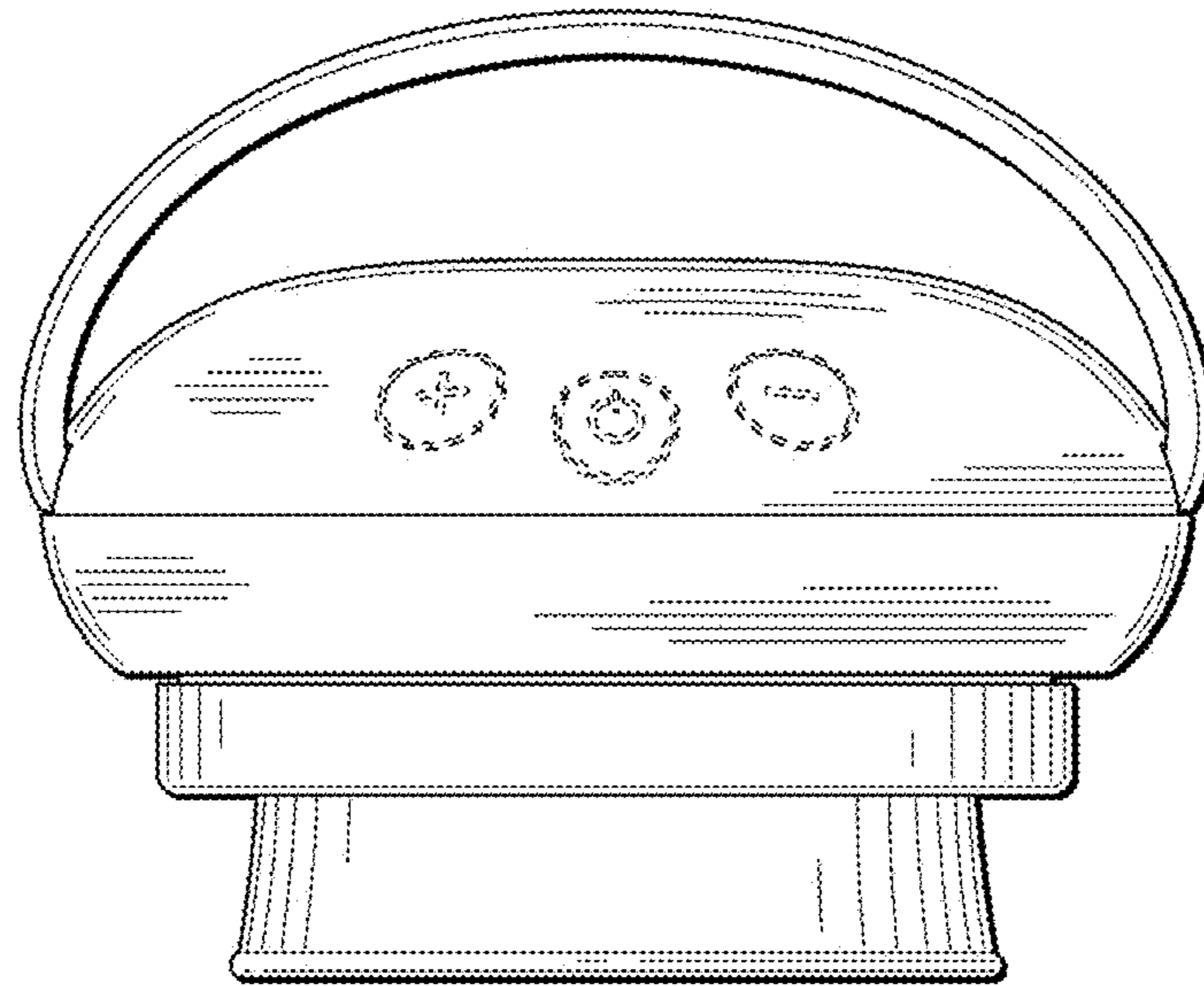


FIG. 9

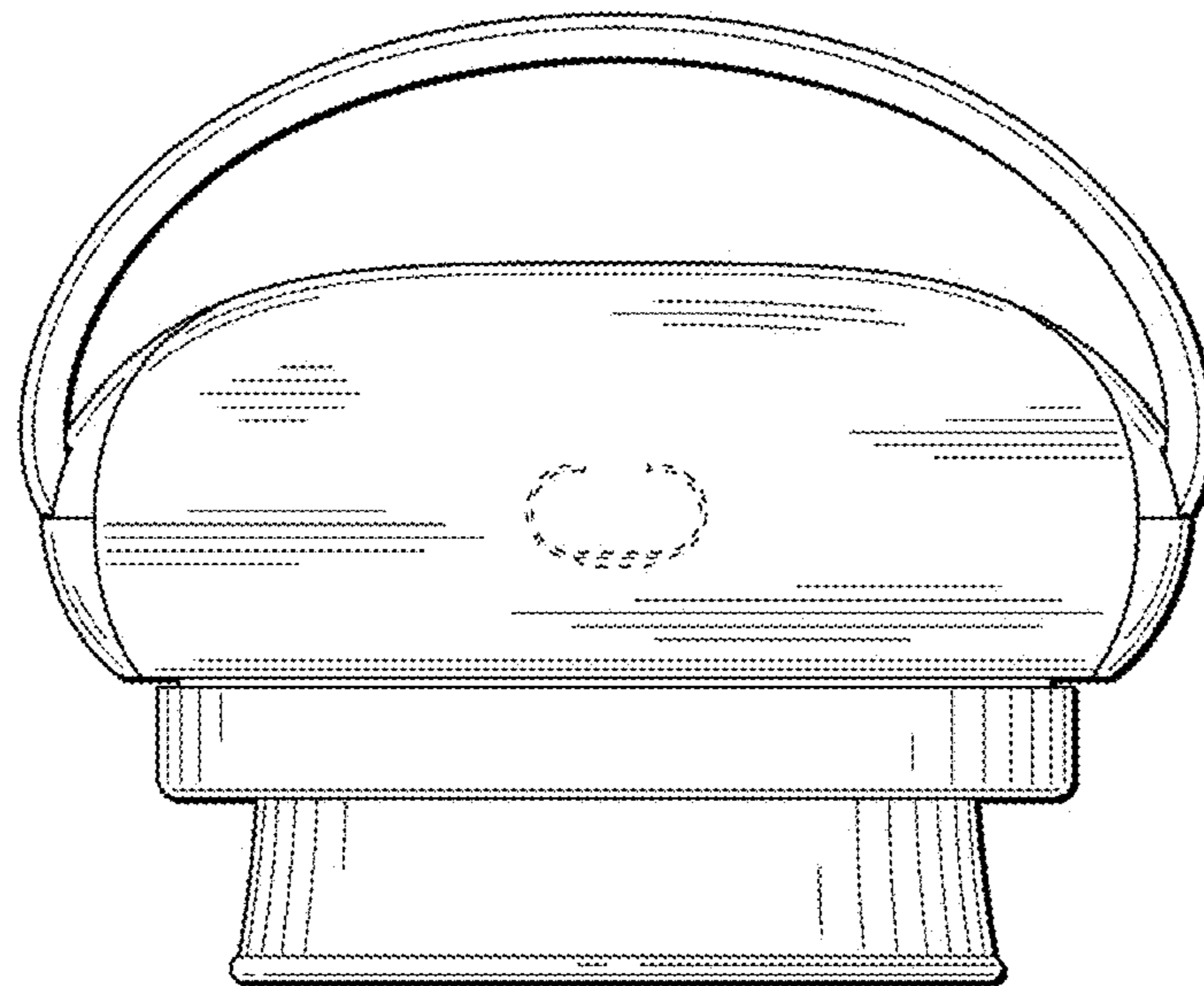


FIG. 10

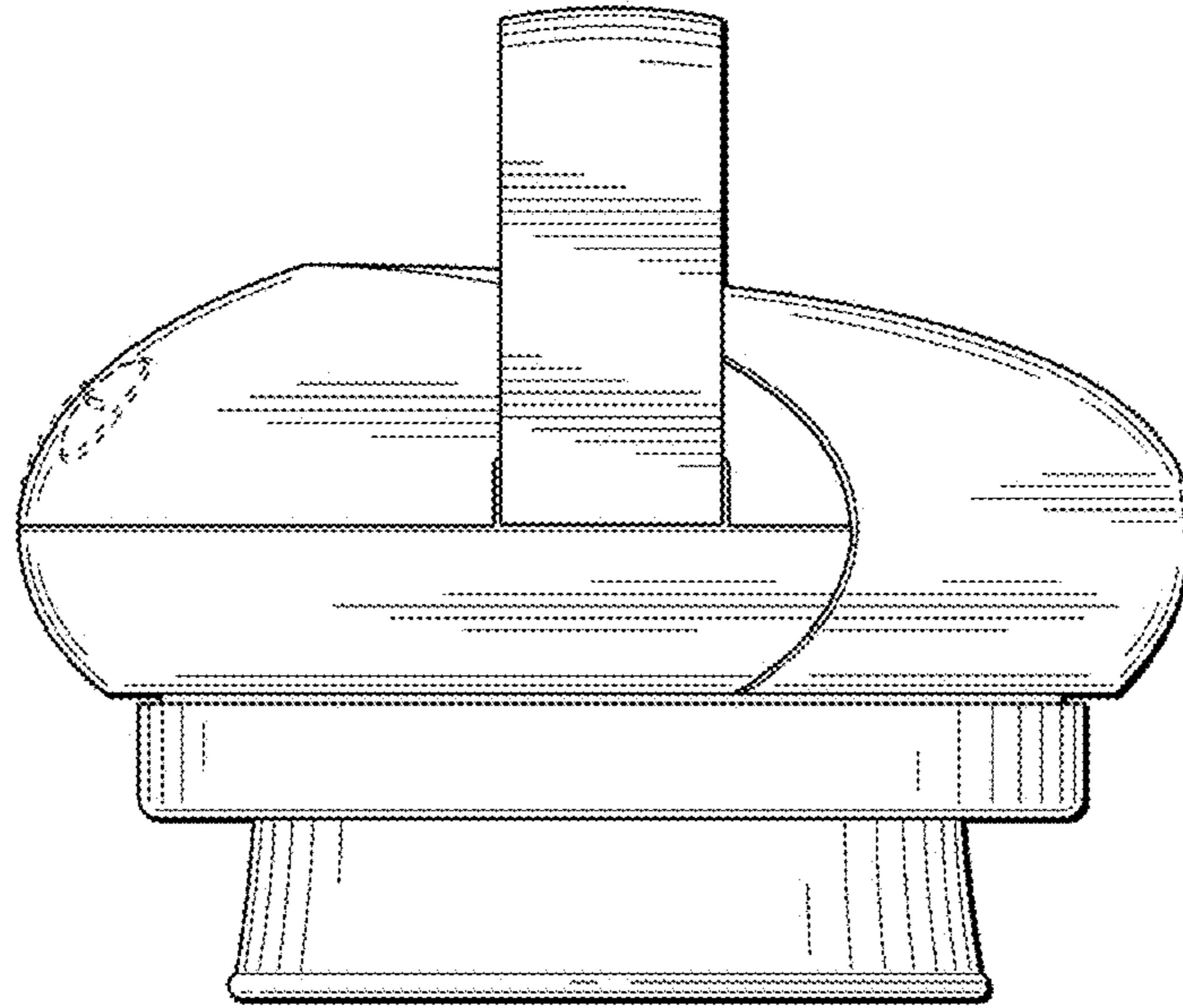


FIG. 11

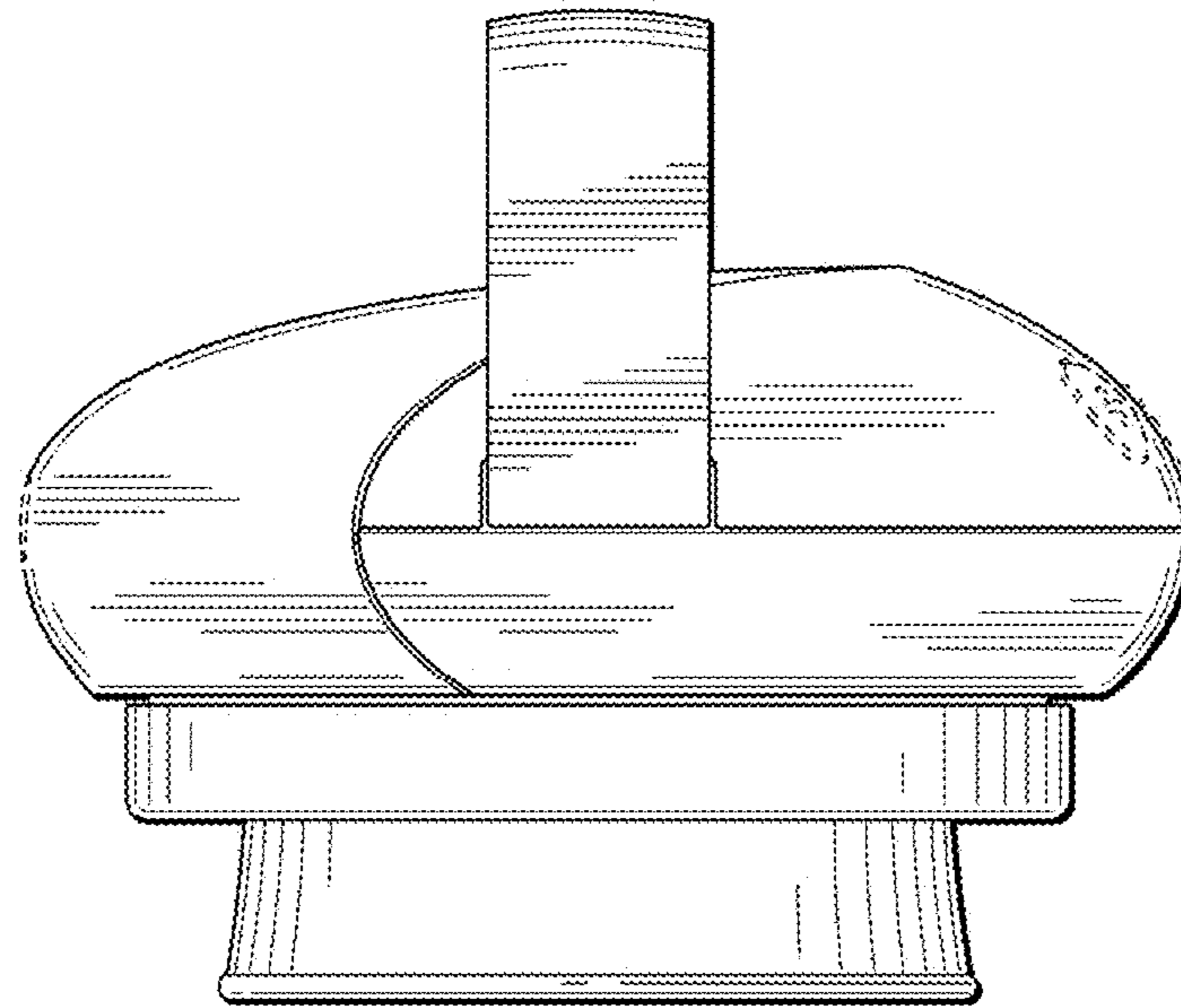


FIG. 12

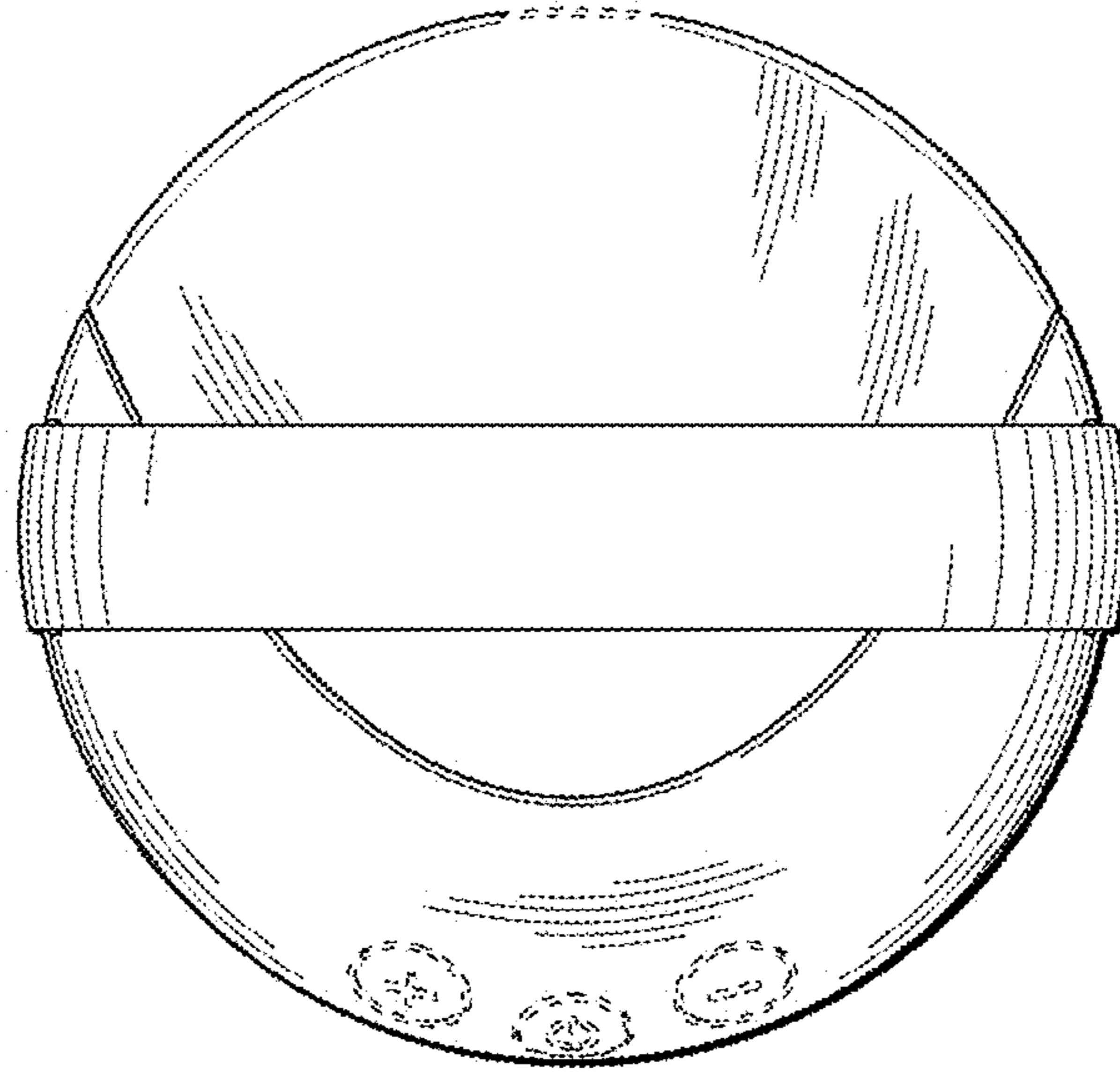


FIG. 13

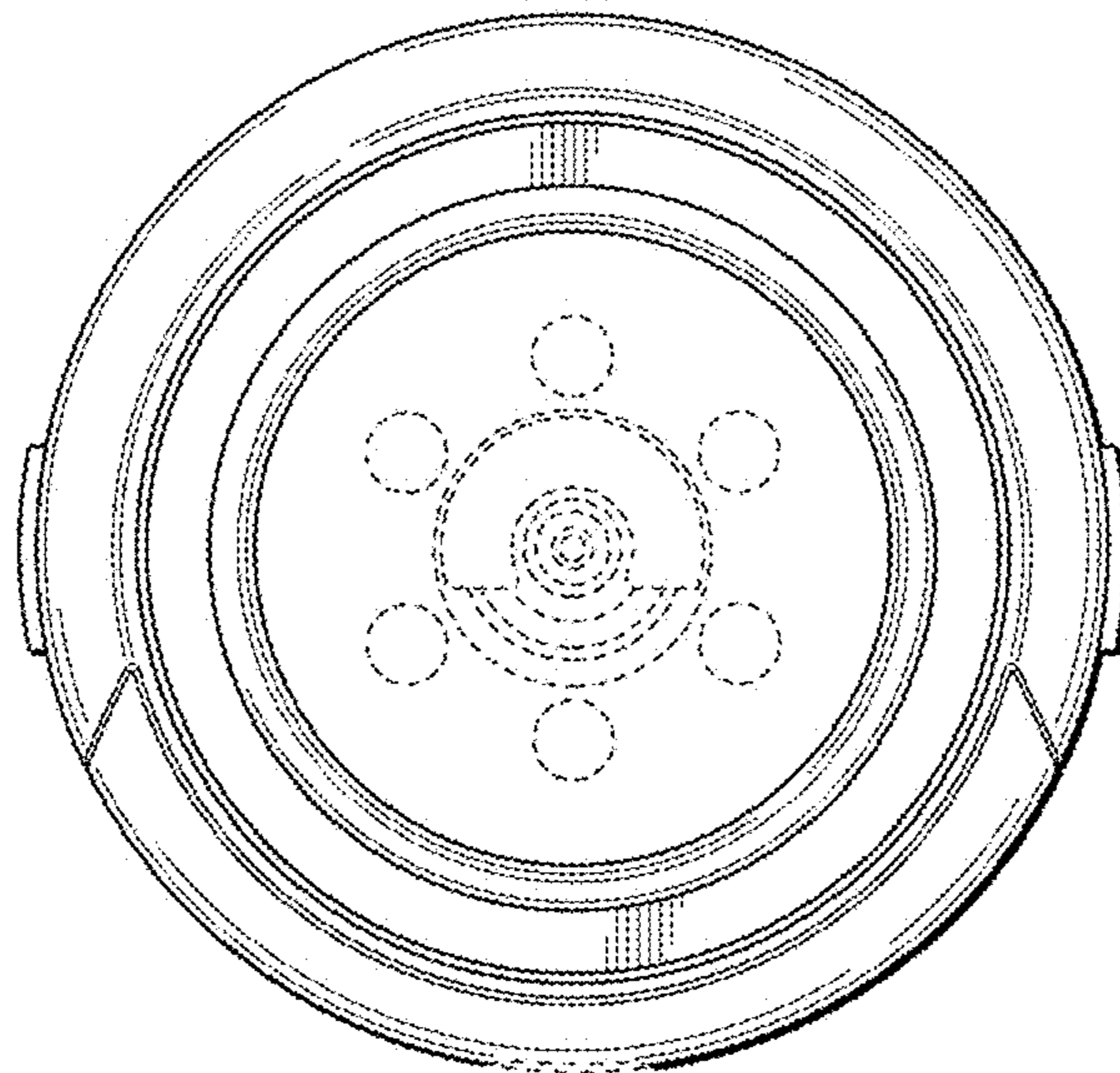


FIG. 14