

US00D969332S

(12) **United States Design Patent** (10) **Patent No.:** **US D969,332 S**
An (45) **Date of Patent:** **** Nov. 8, 2022**

(54) **COMBINED SCALP AND FACE CARE APPARATUS**

(71) Applicant: **Sunhee An**, Gyeongsan-si (KR)

(72) Inventor: **Sunhee An**, Gyeongsan-si (KR)

(**) Term: **15 Years**

(21) Appl. No.: **29/729,390**

(22) Filed: **Mar. 26, 2020**

(51) **LOC (13) Cl.** **28-03**

(52) **U.S. Cl.**
USPC **D24/214**

(58) **Field of Classification Search**
USPC D24/200, 211, 212, 213, 214, 215;
D28/44.1; D4/100, 101
CPC A61B 2017/00761; A61B 2018/00458;
A61H 7/008
See application file for complete search history.

(56) **References Cited**

U.S. PATENT DOCUMENTS

D363,129 S *	10/1995	Landers	D24/200
D405,704 S *	2/1999	Gordon	D10/57
D408,747 S *	4/1999	Lin	D10/57
D458,161 S *	6/2002	Lie	D10/57
D499,657 S *	12/2004	Lim	D10/57
D540,947 S *	4/2007	Jung	D24/167
D603,970 S *	11/2009	Ball	D24/200
D652,919 S *	1/2012	Sherwood	D24/133
D695,903 S *	12/2013	Tamsiran	D24/209
D703,337 S *	4/2014	Fuhr	D24/200
D734,479 S *	7/2015	Youngquist	D24/209
D738,516 S *	9/2015	Karim	D24/200
D742,003 S *	10/2015	Tasar	D24/146
D759,831 S *	6/2016	Levi	D24/200
D787,083 S *	5/2017	Ely	D24/209
D787,693 S *	5/2017	Matsushita	D24/200
D794,854 S *	8/2017	Zepter	D26/38
D795,423 S *	8/2017	Chen	D24/133

D797,302 S *	9/2017	Vahlensieck	D24/209
D819,221 S *	5/2018	Lei	D24/200
D825,073 S *	8/2018	Lenke	D24/215
D827,842 S *	9/2018	Bainton	D24/200
D827,843 S *	9/2018	Bainton	D24/200
D835,796 S *	12/2018	Sedic	D24/215
D838,860 S *	1/2019	Lee	D24/214
D841,830 S *	2/2019	Hu	D24/215
D848,013 S *	5/2019	Fuhner	D24/215
D848,632 S *	5/2019	Fuhner	D24/215
D850,644 S *	6/2019	Sedic	D24/215
D853,572 S *	7/2019	Yi	D24/200

(Continued)

OTHER PUBLICATIONS

Orbit, "Scalp and Skin Care", Korean Application No. 301082138.0000. Application Date Mar. 24, 2020. www.orbit.com. (Year: 2020).*

Primary Examiner — Michael A Maharajh
(74) *Attorney, Agent, or Firm* — Novick, Kim & Lee PLLC; Jae Youn Kim

(57) **CLAIM**

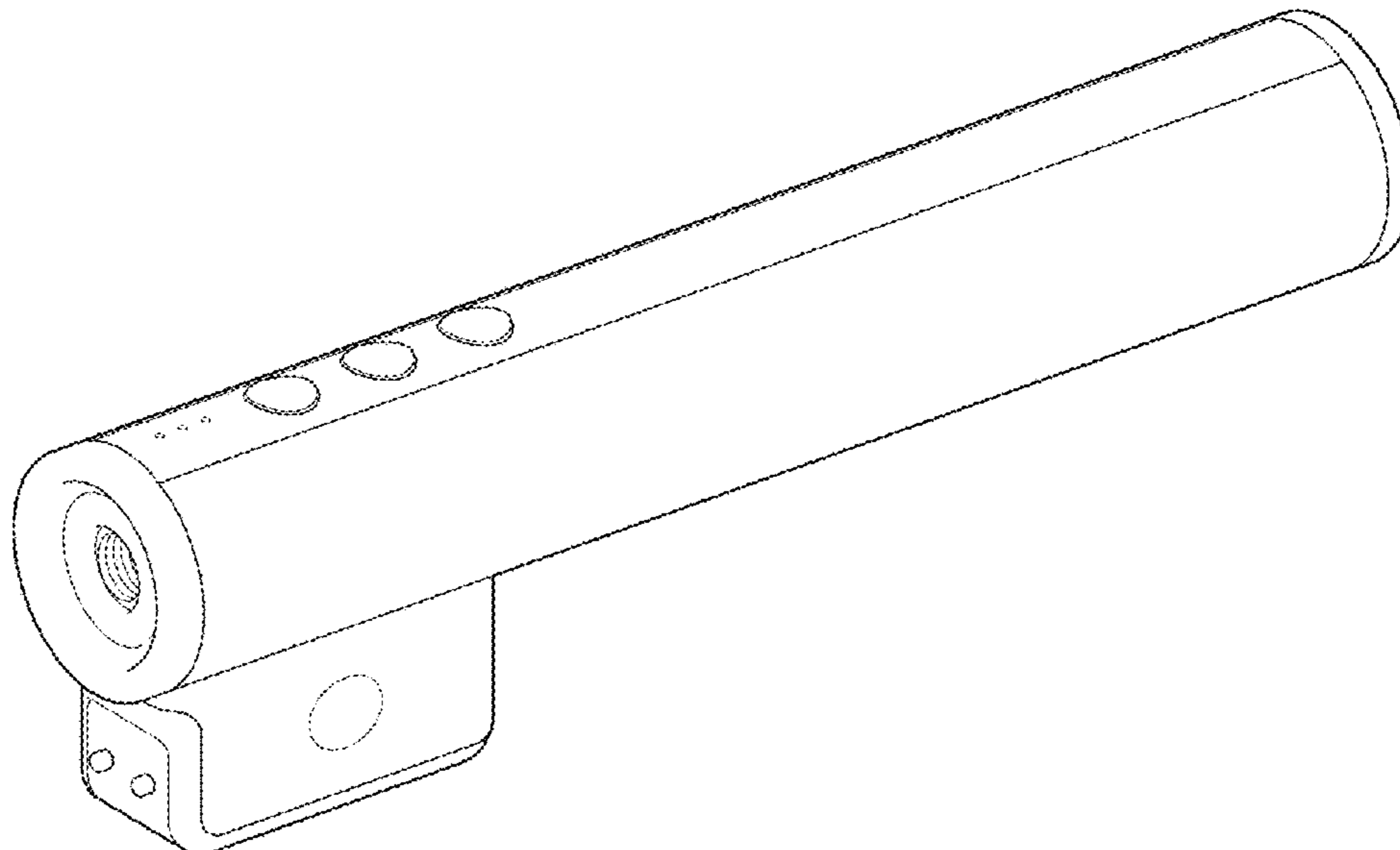
I claim the ornamental design for a combined scalp and face care apparatus, as shown and described.

DESCRIPTION

FIG. 1 is a perspective view of a combined scalp and face care apparatus, showing my new design; FIG. 2 is a front elevational view thereof; FIG. 3 is a rear elevational view thereof; FIG. 4 is a left side elevational view thereof; FIG. 5 is a right side elevational view thereof; FIG. 6 is a top plan view thereof; and, FIG. 7 is a bottom plan view thereof.

The broken lines shown in the figures are for the purpose of illustrating portions of the combined scalp and face apparatus, which form no part of the claimed design.

1 Claim, 4 Drawing Sheets



(56)

References Cited

U.S. PATENT DOCUMENTS

D854,699 S *	7/2019	Peterson	D24/214	D906,530 S *	12/2020	Liu	D24/214
D855,818 S *	8/2019	Kymm	D24/209	D907,789 S *	1/2021	Shenfarber	D24/209
D859,681 S *	9/2019	Tang	D24/214	D908,232 S *	1/2021	Shenfarber	D24/209
D860,470 S *	9/2019	Li	D24/214	D908,234 S *	1/2021	Elosegui Zabalegui	D24/215
D862,717 S *	10/2019	Khubani	D24/200	D909,563 S *	2/2021	Hou	D24/108
D862,721 S *	10/2019	Friend	D24/214	D912,323 S *	3/2021	An	D28/44.1
D865,209 S *	10/2019	Nichols	D24/214	D925,752 S *	7/2021	Wang	D24/214
D865,990 S *	11/2019	Ko	D24/215	D926,332 S *	7/2021	Wang	D24/214
D870,304 S *	12/2019	Du	D24/214	D927,331 S *	8/2021	Lim	D10/57
D874,671 S *	2/2020	Segev	D24/214	D930,176 S *	9/2021	Wang	D24/215
D874,672 S *	2/2020	Segev	D24/214	D931,489 S *	9/2021	Wang	D24/215
D875,267 S *	2/2020	Zeng	D24/214	D932,038 S *	9/2021	Park	D24/211
D894,415 S *	8/2020	Blank	D24/214	2013/0030506 A1 *	1/2013	Bartolone	A61N 5/0616 607/89
D897,109 S *	9/2020	Blank	D4/102	2014/0074191 A1 *	3/2014	Dunleavy	G06Q 20/145 607/88
D897,110 S *	9/2020	Blank	D4/102	2015/0182415 A1 *	7/2015	Olkowski	A61F 9/00772 601/93
D897,552 S *	9/2020	Meissner	D24/215	2020/0015841 A1 *	1/2020	Friend	A61B 17/320068
D898,207 S *	10/2020	Yang	D24/200	2020/0179220 A1 *	6/2020	Jablow	A61H 1/00
D901,030 S *	11/2020	Yoon	D24/209				
D901,031 S *	11/2020	Yoon	D24/209				

* cited by examiner

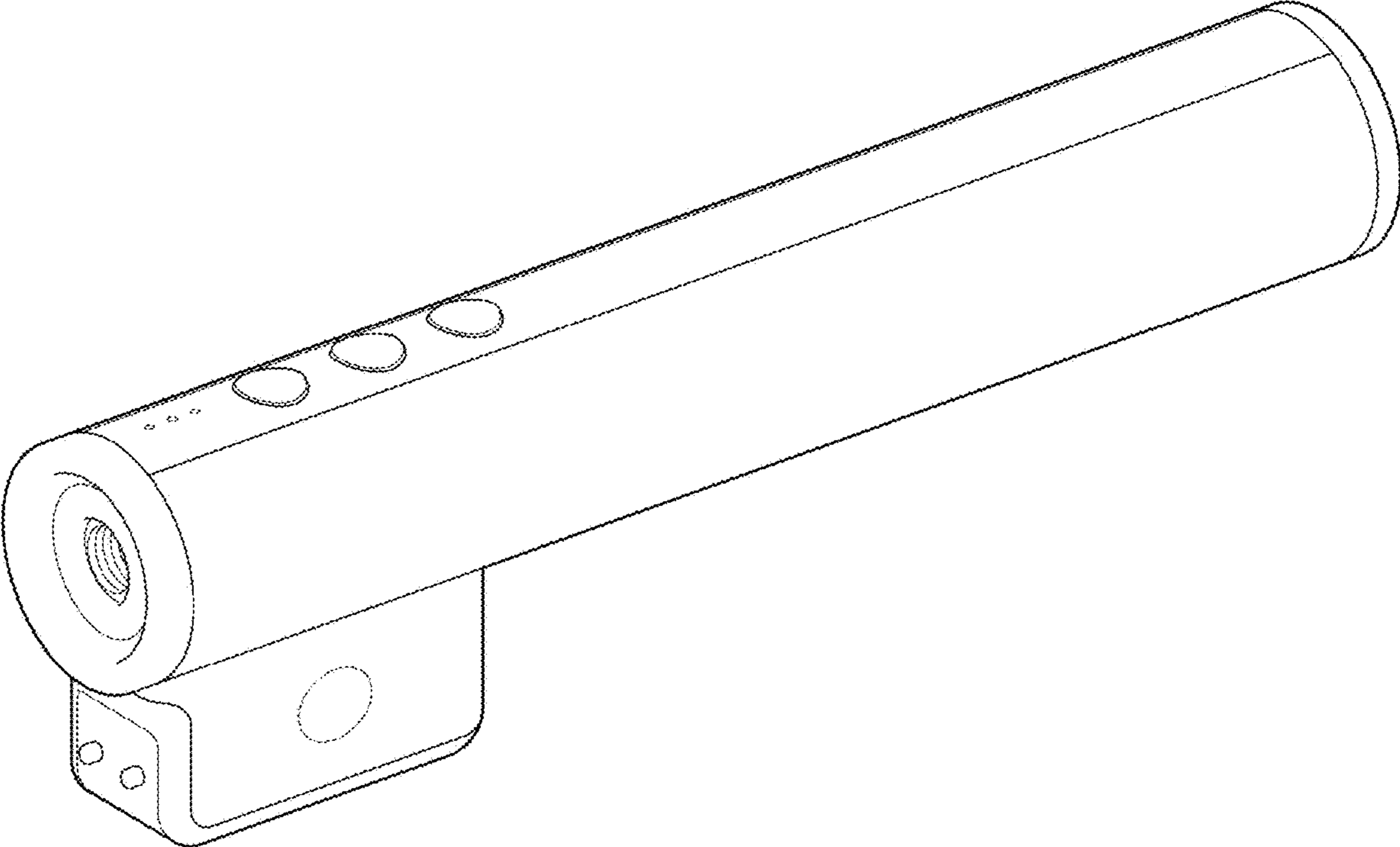


FIG. 1

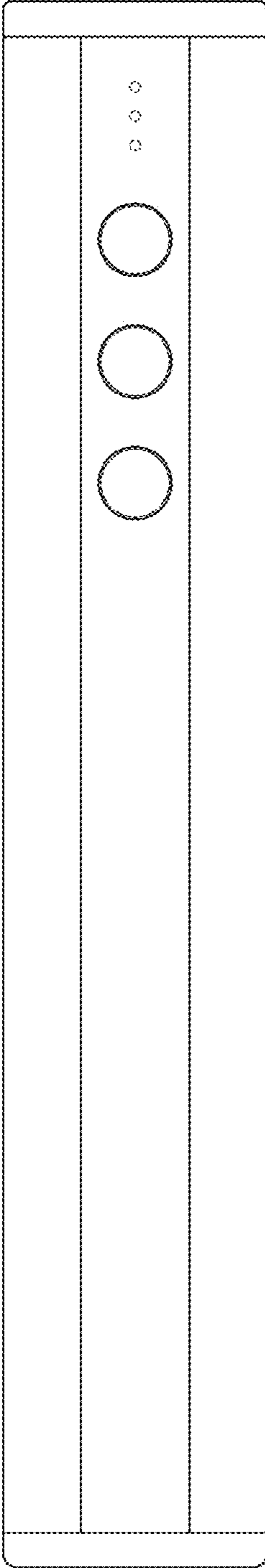


FIG. 2

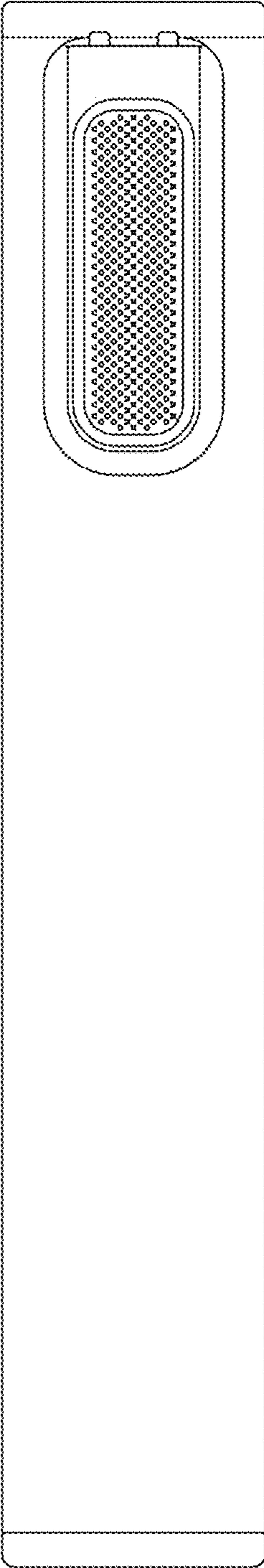


FIG. 3

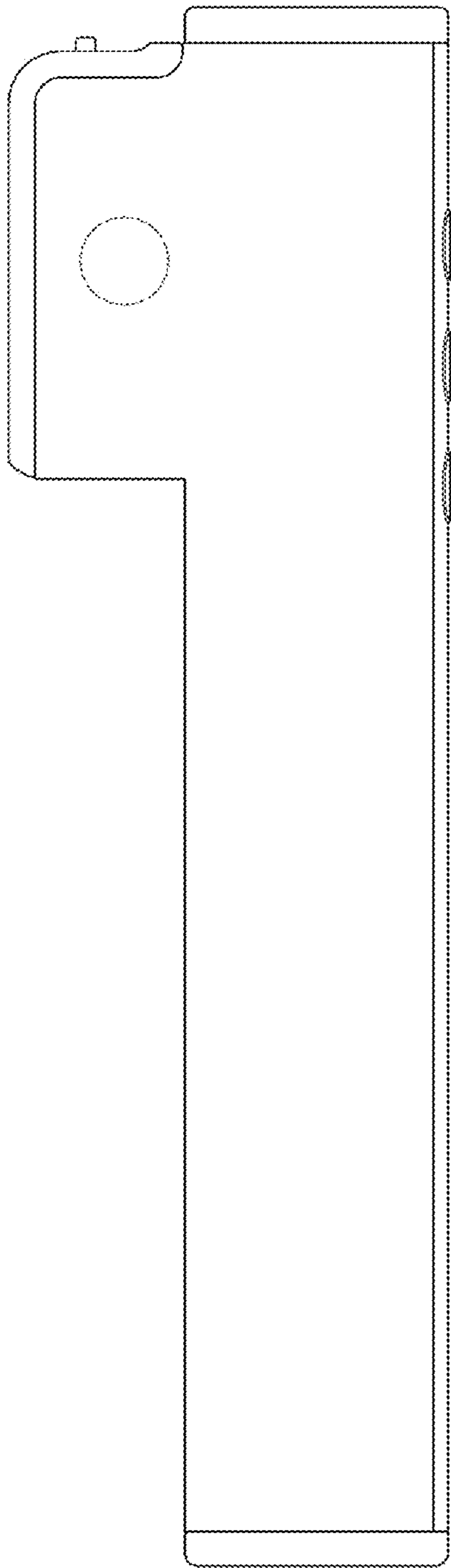


FIG. 4

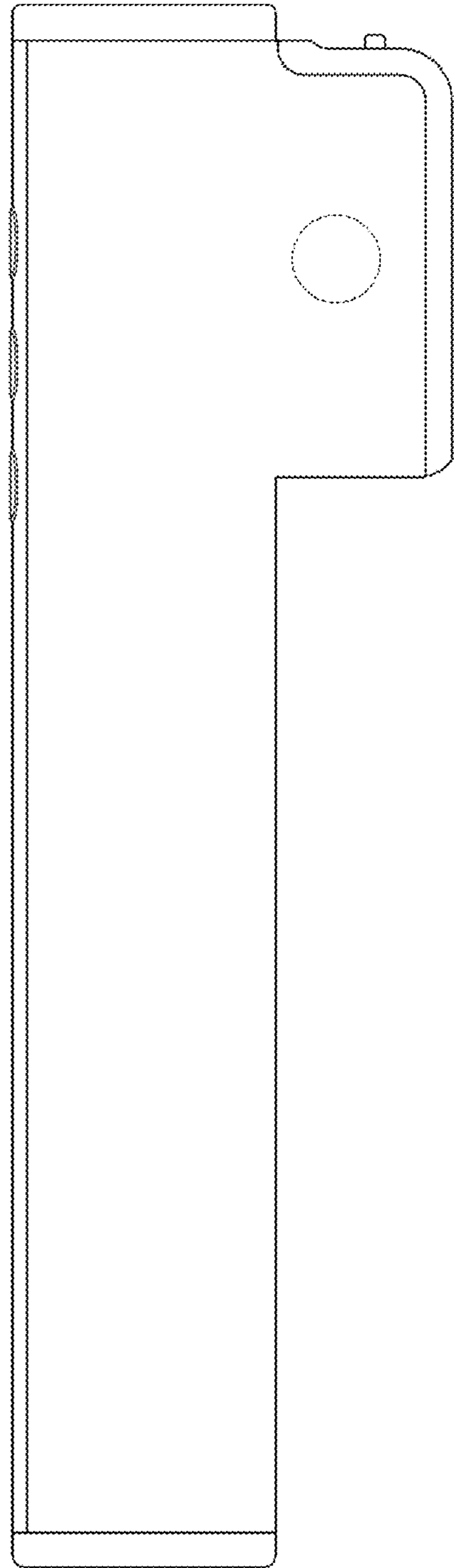


FIG. 5

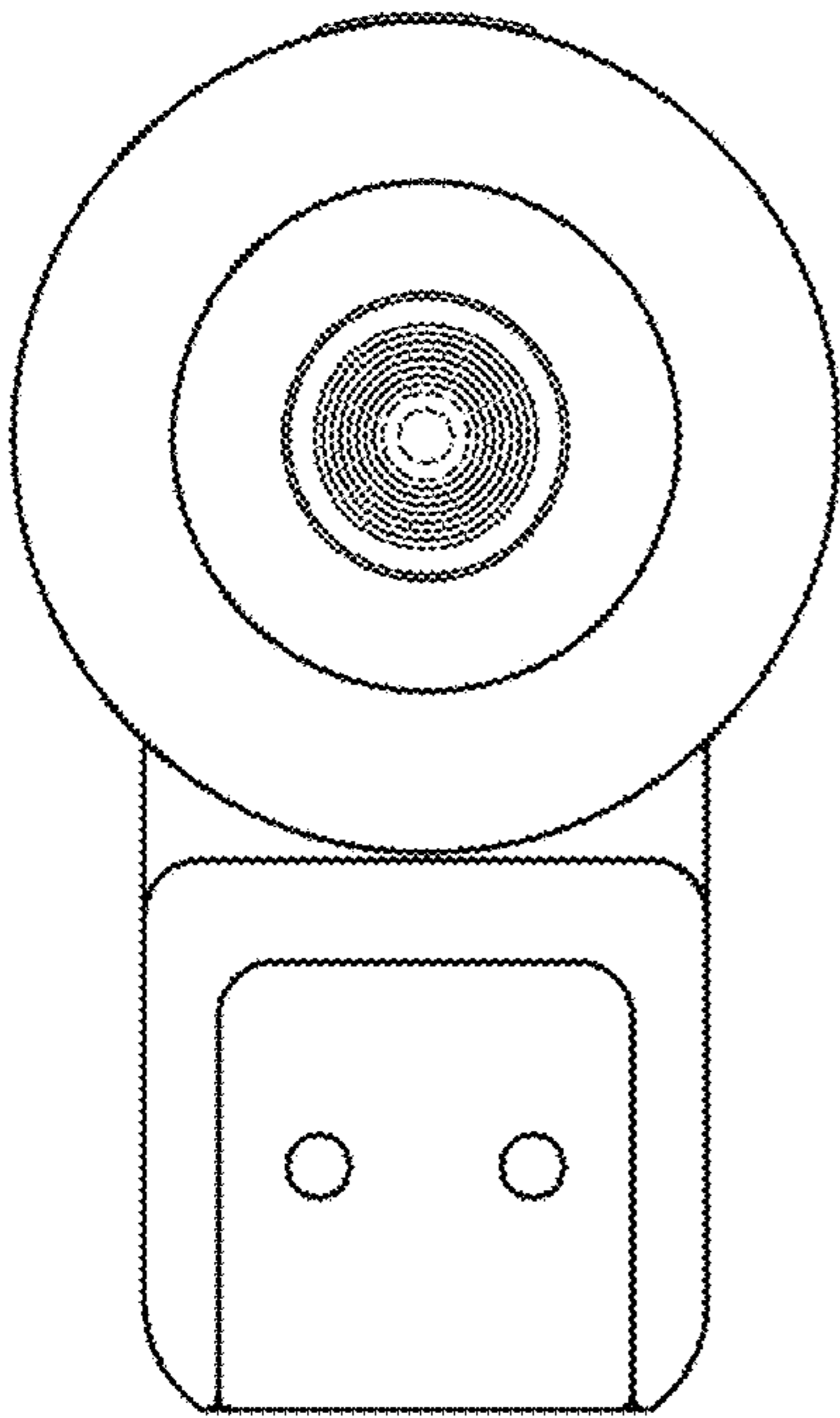


FIG. 6

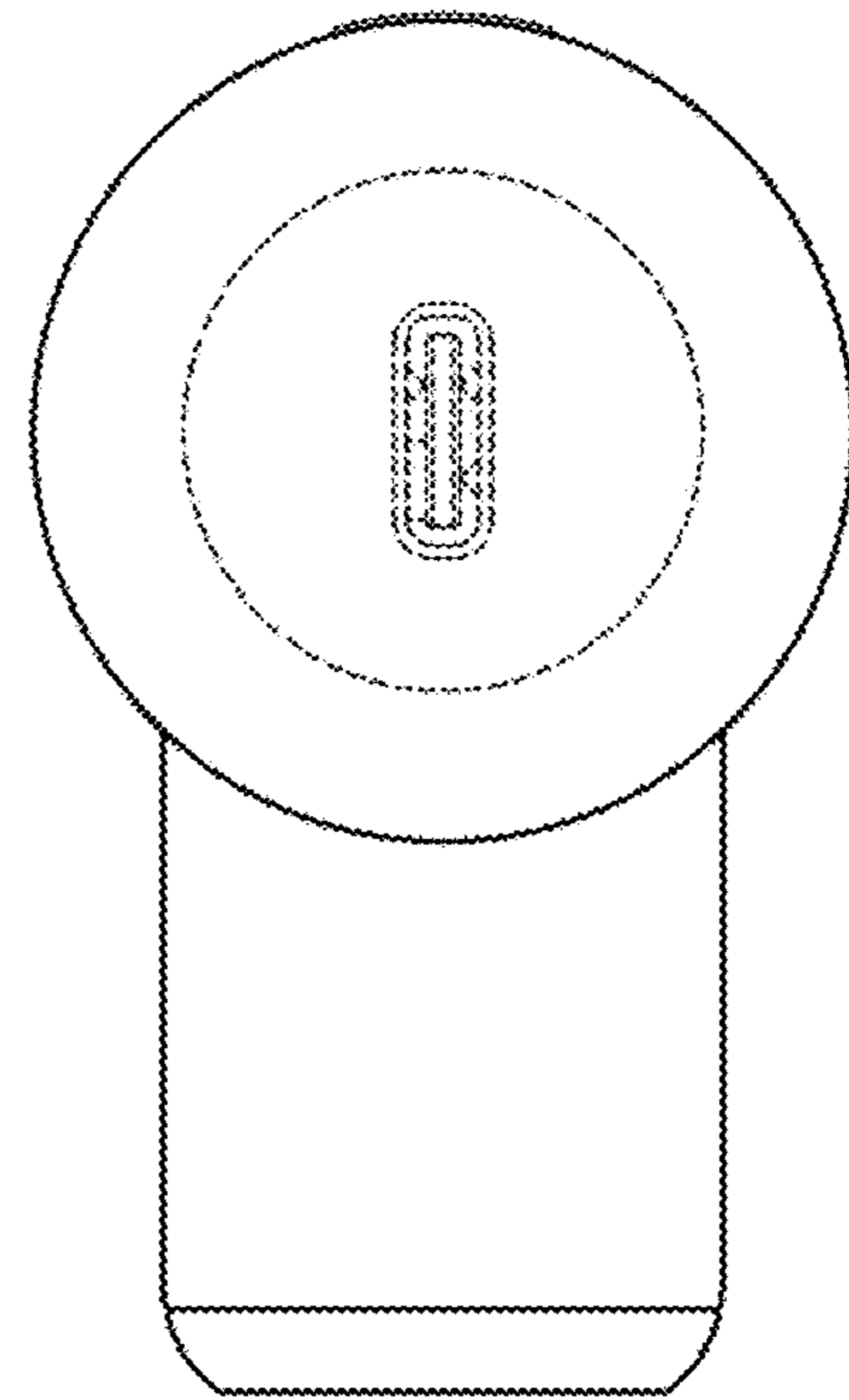


FIG. 7