



US00D969323S

(12) **United States Design Patent** (10) **Patent No.:** **US D969,323 S**
McNeely (45) **Date of Patent:** **** Nov. 8, 2022**

(54) **BONE SPACER MOLD SYSTEM** 2009/0175978 A1* 7/2009 Hawkins A61F 2/36
 425/470
 (71) Applicant: **Brent Austin McNeely**, Breinigsville, PA (US) 2012/0089148 A1 4/2012 Vaidya
 2014/0348973 A1* 11/2014 Holt B29C 48/03
 425/542
 (72) Inventor: **Brent Austin McNeely**, Breinigsville, PA (US) 2016/0332328 A1 11/2016 Wüst
 2021/0290397 A1 9/2021 Vogt
 2021/0346068 A1* 11/2021 McNeely A61B 17/866

(73) Assignee: **MC INNOVATION LLC**, Breinigsville, PA (US)

* cited by examiner

Primary Examiner — Charles D Hanson

(**) Term: **15 Years**

(21) Appl. No.: **29/843,464**

(22) Filed: **Jun. 21, 2022**

(51) **LOC (13) Cl.** **24-03**

(52) **U.S. Cl.**
 USPC **D24/155**

(58) **Field of Classification Search**
 USPC D24/155
 CPC A61B 17/866; A61B 17/7291; A61B
 2017/00526

See application file for complete search history.

(56) **References Cited**

U.S. PATENT DOCUMENTS

8,801,983 B2 8/2014 Haney
 9,017,055 B2 4/2015 Smith
 D935,613 S 11/2021 McNeely
 2009/0157189 A1* 6/2009 Hartman B28B 1/24
 606/92

(57) **CLAIM**

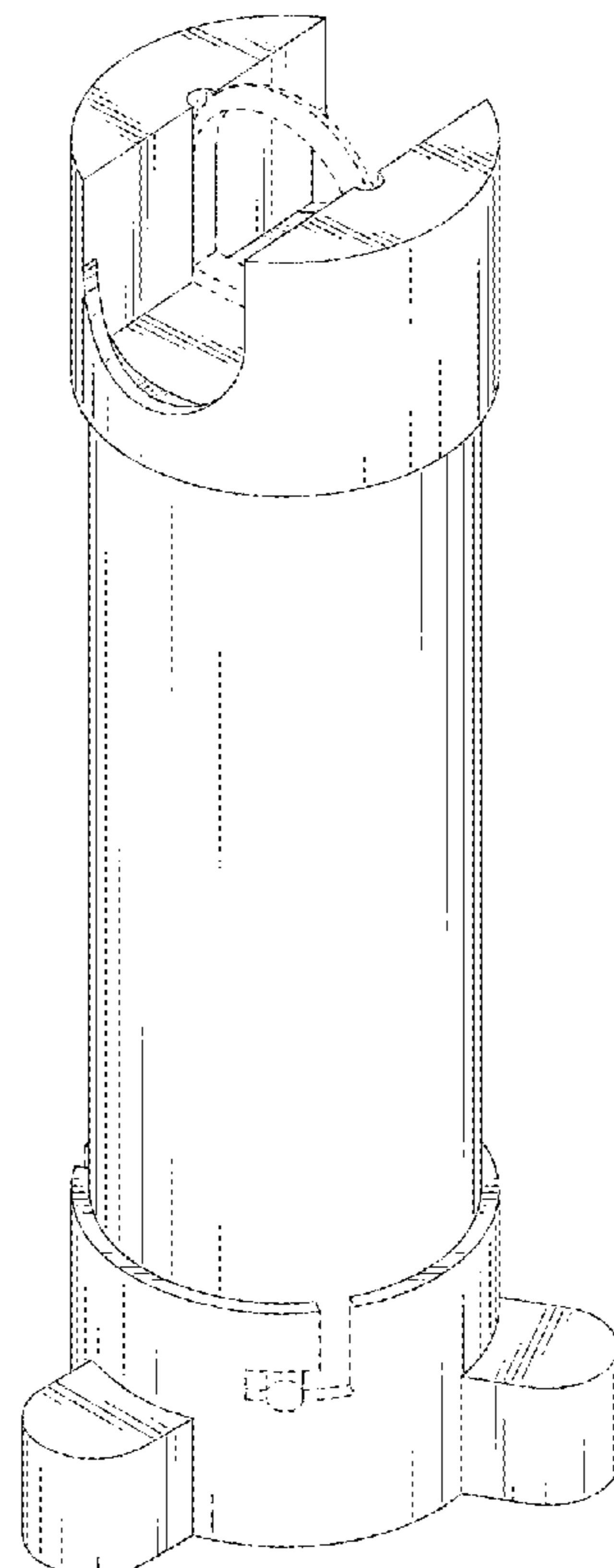
The ornamental design for a bone spacer mold system, as shown and described.

DESCRIPTION

FIG. 1 is a perspective view of a bone spacer mold system showing my new design;
 FIG. 2 is a bottom perspective view thereof;
 FIG. 3 is a front elevational view thereof;
 FIG. 4 is a right-side elevational view thereof;
 FIG. 5 is a left-side elevational view thereof;
 FIG. 6 is a top plan view thereof; and,
 FIG. 7 is a bottom plan view thereof.

The broken lines showing certain features of the bone spacer mold system in FIG. 1-7 are included for the purpose of showing environmental structure and form no part of the claimed design.

1 Claim, 7 Drawing Sheets



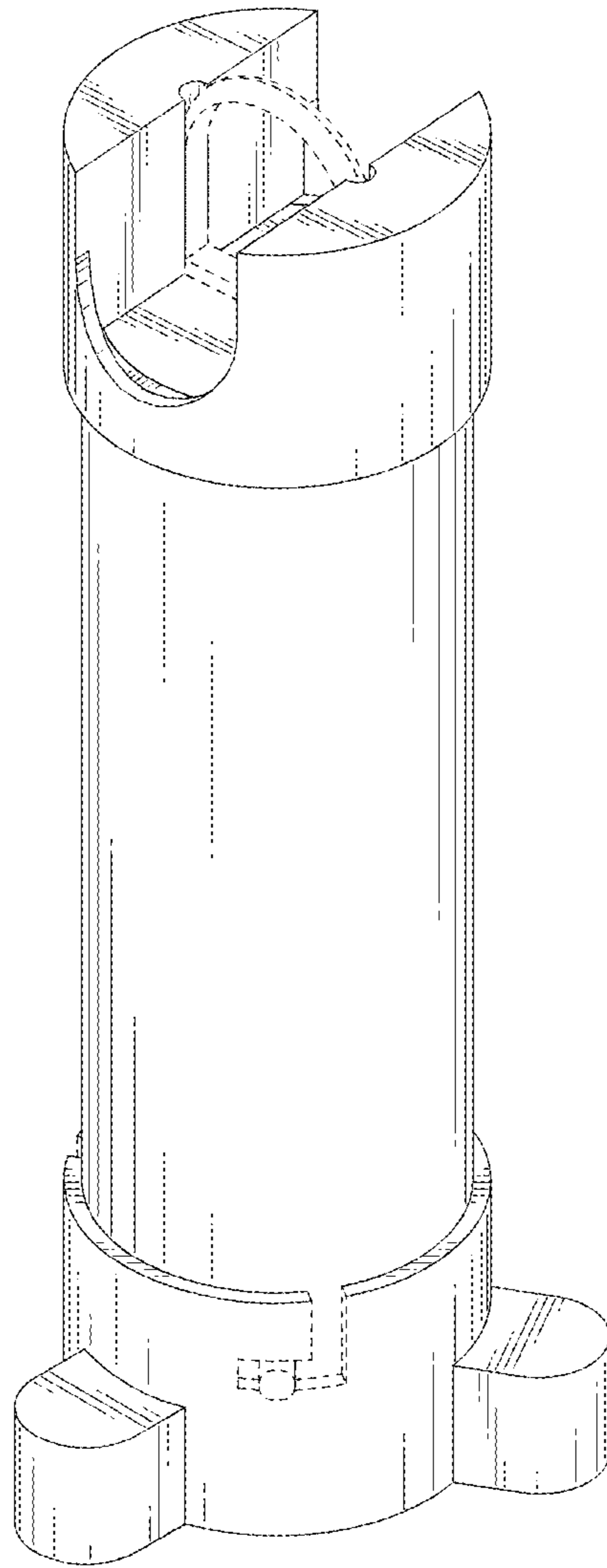


FIG. 1

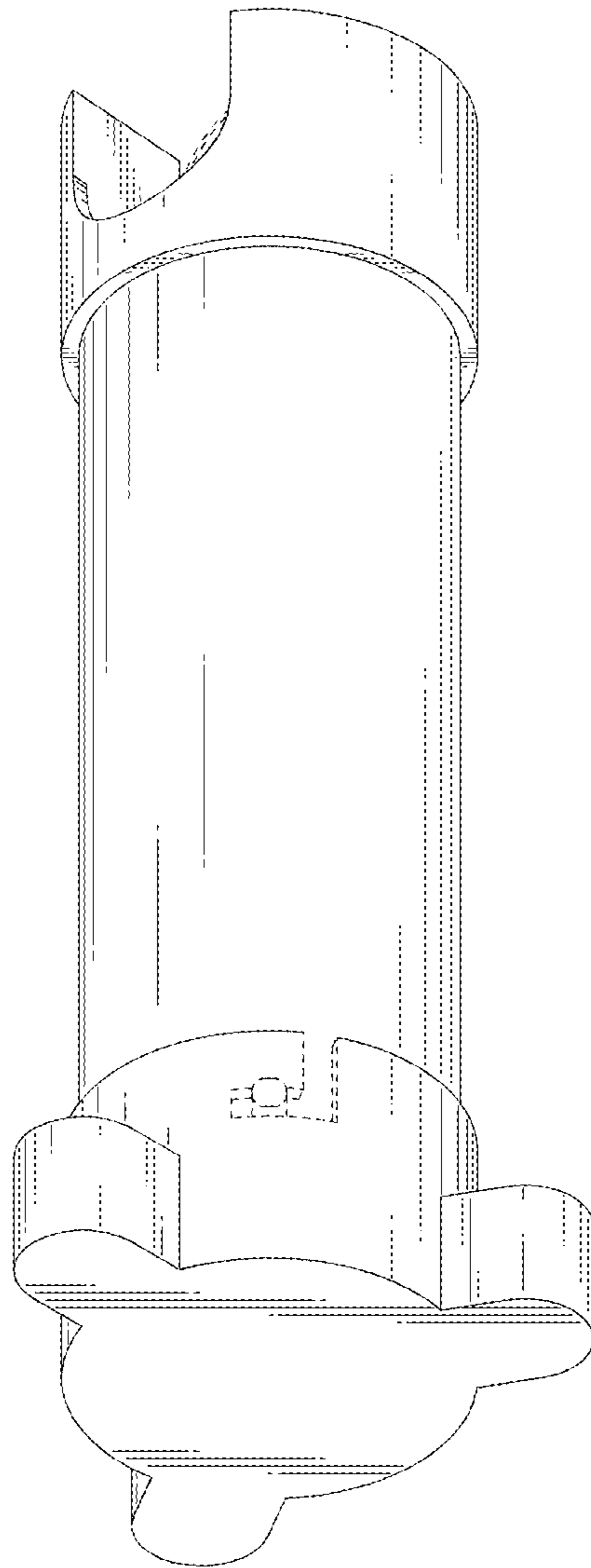


FIG. 2

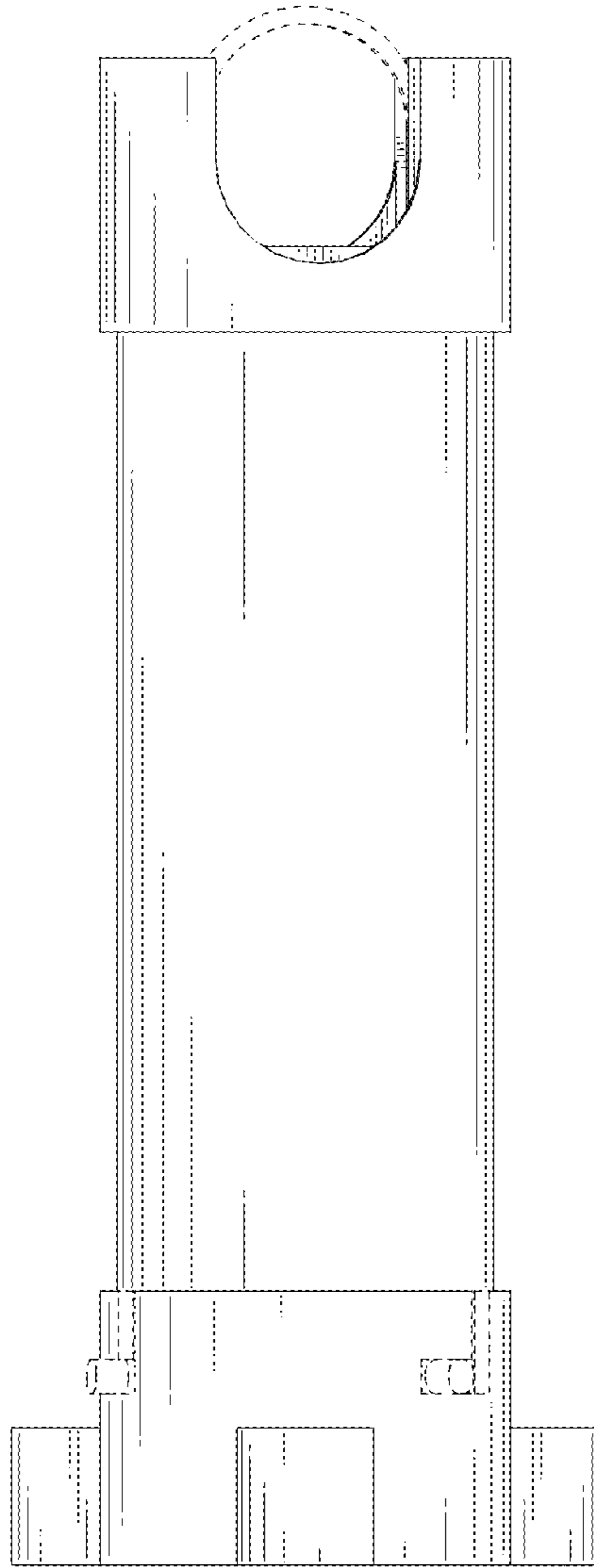


FIG. 3

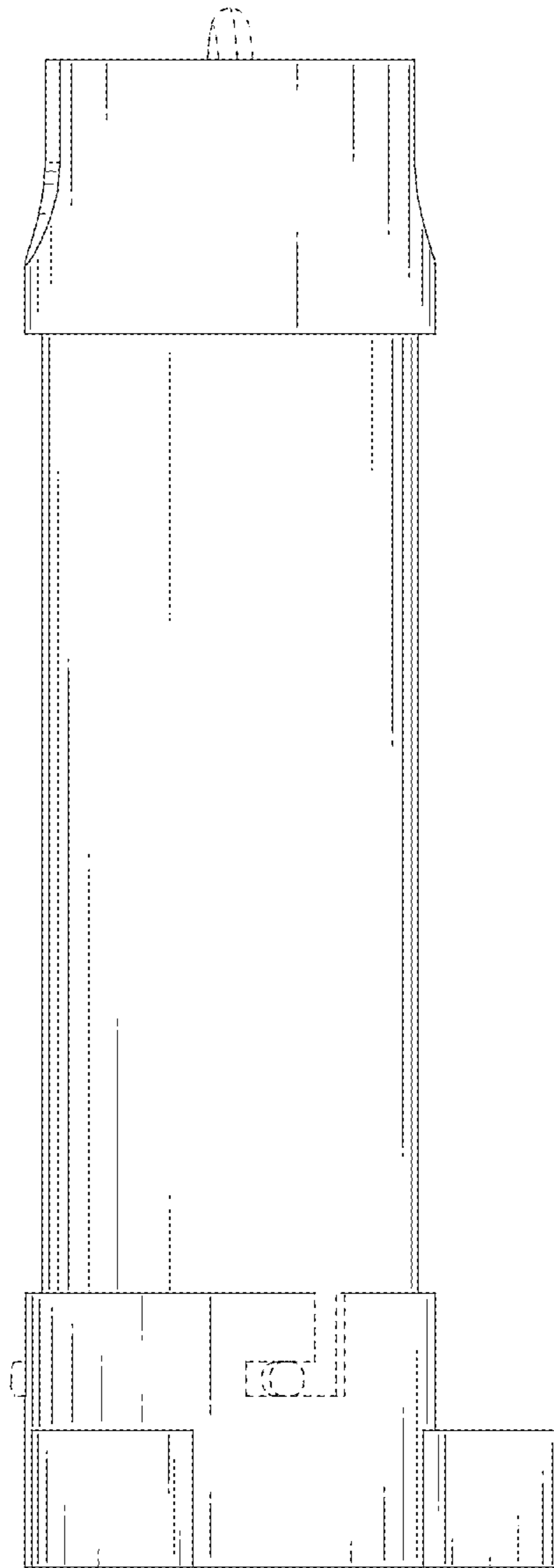


FIG. 4

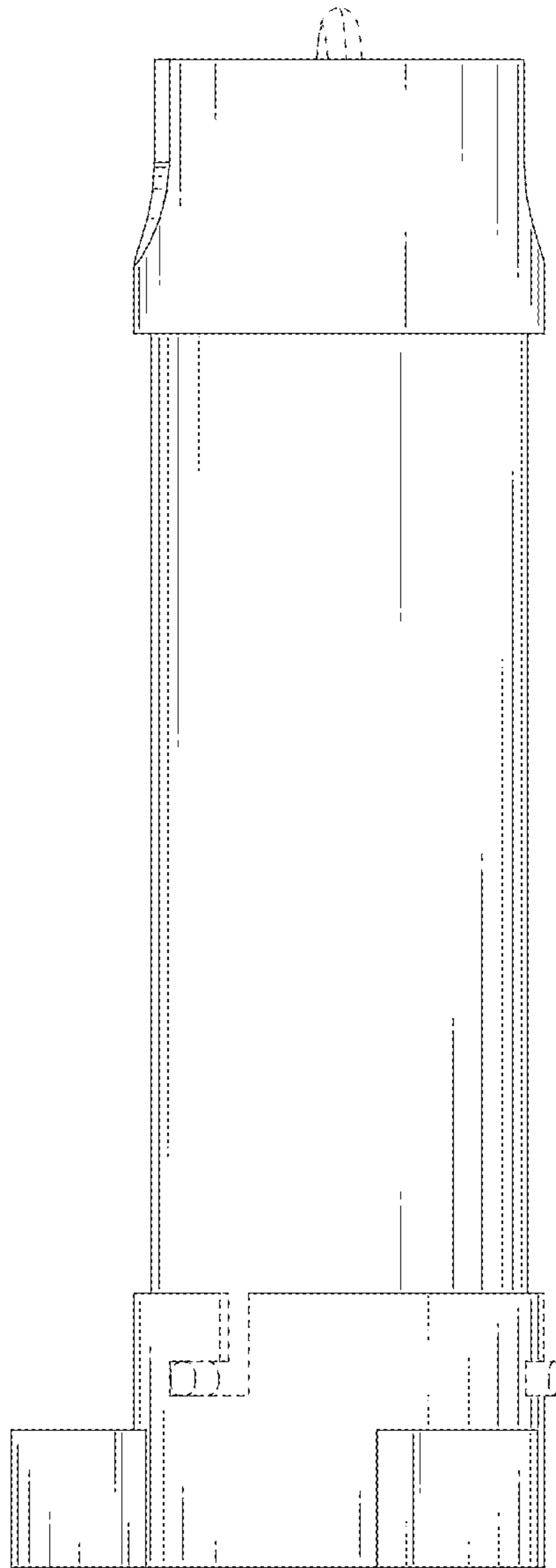


FIG. 5

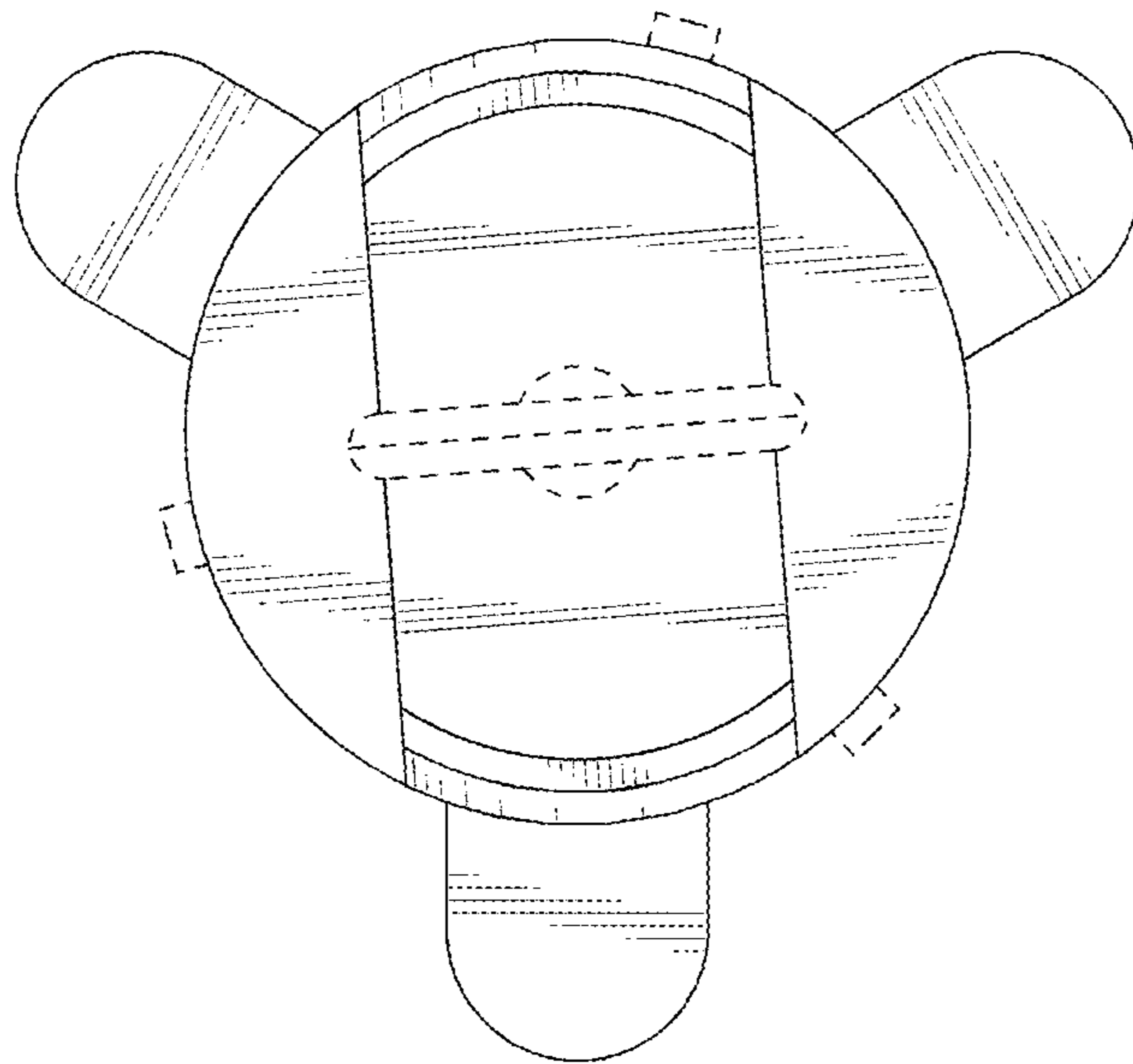


FIG. 6

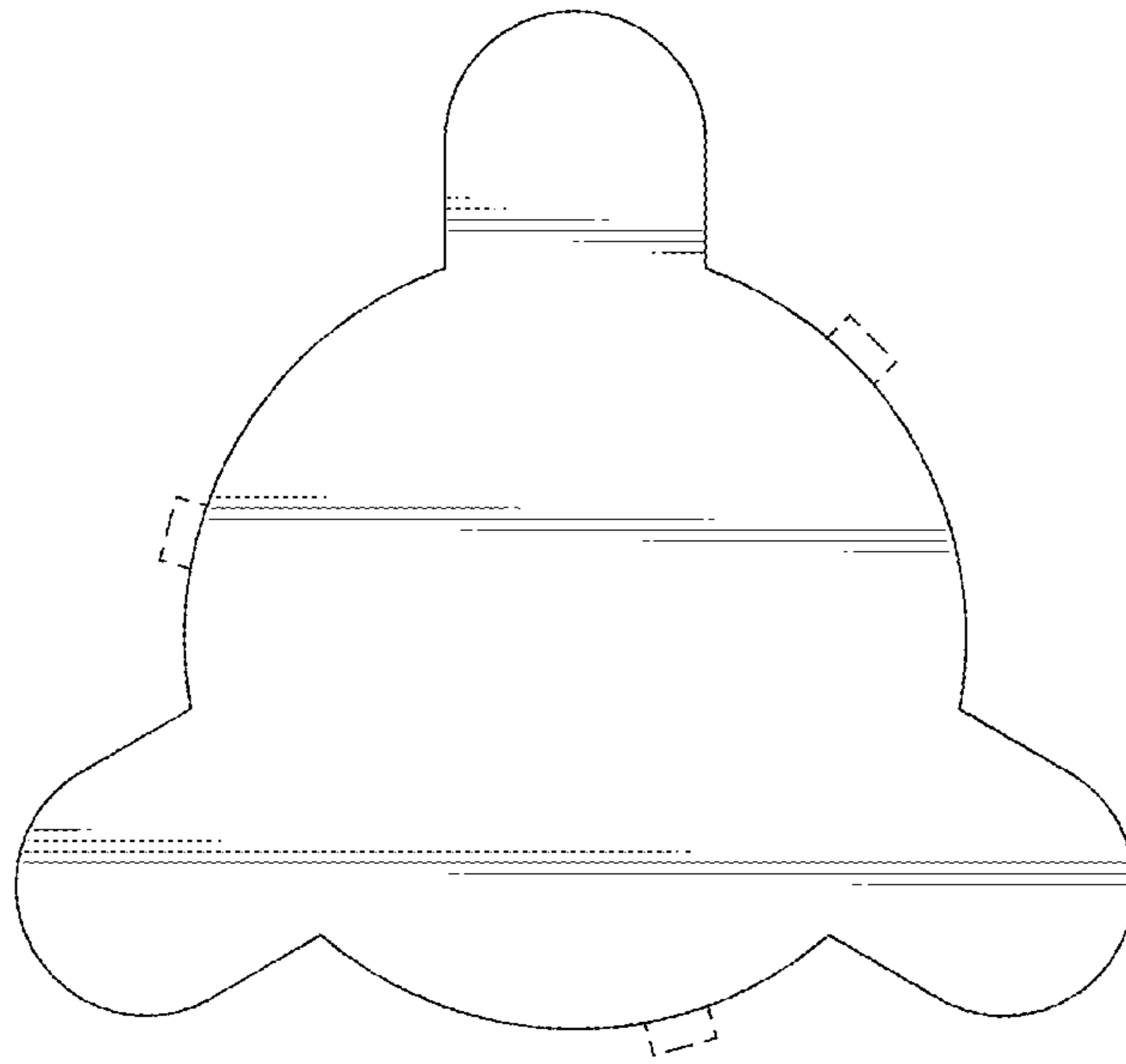


FIG. 7