



US00D969322S

(12) **United States Design Patent**
Cain

(10) **Patent No.:** **US D969,322 S**
(45) **Date of Patent:** **** Nov. 8, 2022**

- (54) **MEDICAL DEVICE**
- (71) Applicant: **MIRUS LLC**, Marietta, GA (US)
- (72) Inventor: **David Brett Cain**, Marietta, GA (US)
- (73) Assignee: **MIRUS LLC**, Marietta, GA (US)
- (**) Term: **15 Years**
- (21) Appl. No.: **29/819,148**
- (22) Filed: **Dec. 13, 2021**

Related U.S. Application Data

- (63) Continuation of application No. 29/758,300, filed on Nov. 13, 2020, now Pat. No. Des. 944,400.
- (51) **LOC (13) Cl.** **24-03**
- (52) **U.S. Cl.**
USPC **D24/155**
- (58) **Field of Classification Search**
USPC D24/155
CPC A61F 2/4611; A61F 2/442; A61F 2/447;
A61F 2220/0025; A61F 2310/00023;
A61F 2310/00017; A61F 2002/4475;
A61F 2002/30841; A61F 2002/2835;
A61F 2002/30904; A61F 2002/30785;
A61F 2002/443; A61F 2002/30578
See application file for complete search history.

(56) **References Cited**

U.S. PATENT DOCUMENTS

3,867,728	A	2/1975	Stubstad
4,955,908	A	9/1990	Frey et al.
5,496,372	A	3/1996	Hamamoto et al.
5,545,229	A	8/1996	Parsons et al.
5,609,635	A	3/1997	Michelson
7,001,551	B2	2/2006	Meredith
D625,821	S	10/2010	Goncalves et al.

9,295,562	B2	3/2016	Lechmann et al.
9,345,817	B2	5/2016	Papengelou et al.
D773,047	S	11/2016	Goncalves et al.
9,636,226	B2	5/2017	Hunt
9,662,157	B2	5/2017	Schneider et al.
9,681,966	B2	6/2017	Knapp et al.
9,700,431	B2	6/2017	Nebosky et al.
9,724,203	B2	8/2017	Nebosky et al.
D809,661	S	2/2018	Mueller
D815,281	S	4/2018	Chang et al.
10,271,958	B2	4/2019	Schauffler et al.
10,369,009	B2 *	8/2019	Joly A61F 2/4465
D870,288	S	12/2019	Dang
10,512,545	B2	12/2019	Arnone
10,517,739	B2	12/2019	Ryan
10,709,570	B2	7/2020	Stauffer et al.
10,744,003	B2 *	8/2020	Ryan A61F 2/4465
D920,515	S *	5/2021	Miller D24/155
D920,516	S *	5/2021	Miller D24/155

(Continued)

Primary Examiner — Charles D Hanson

(74) *Attorney, Agent, or Firm* — Ulmer & Berne LLP;
Brian E Turung

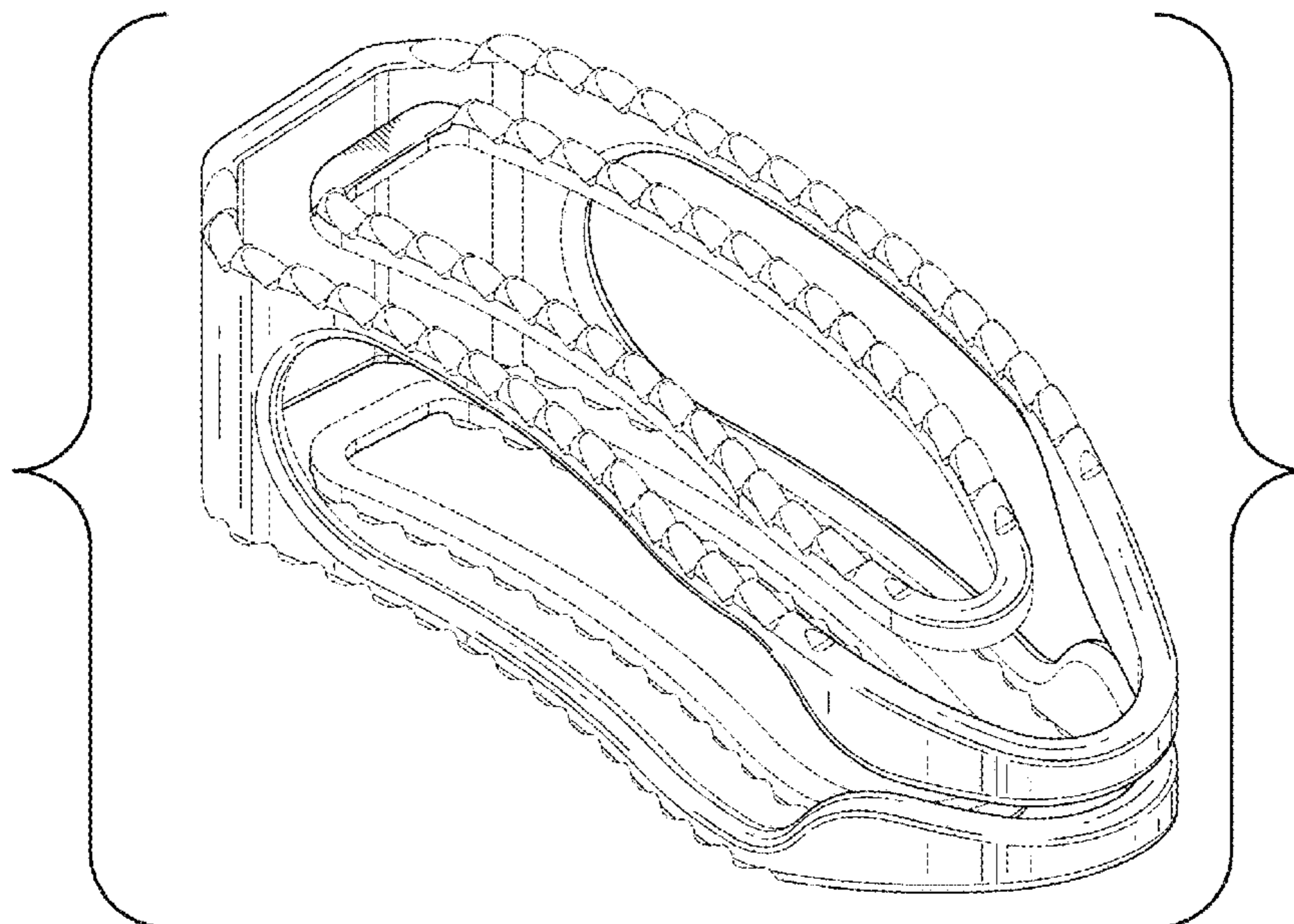
(57) **CLAIM**

The ornamental design for a medical device, as shown and described in FIGS. 1-7.

DESCRIPTION

FIG. 1 is a front perspective view of the medical device; FIG. 2 is a front elevation view of the medical device of FIG. 1; FIG. 3 is a rear elevation view of the medical device of FIG. 1; FIG. 4 is a right side view of the medical device of FIG. 1; FIG. 5 is a left side view of the medical device of FIG. 1; FIG. 6 is a top plan view of the medical device of FIG. 1; and, FIG. 7 is a bottom plan view of the medical device of FIG. 1.

1 Claim, 6 Drawing Sheets



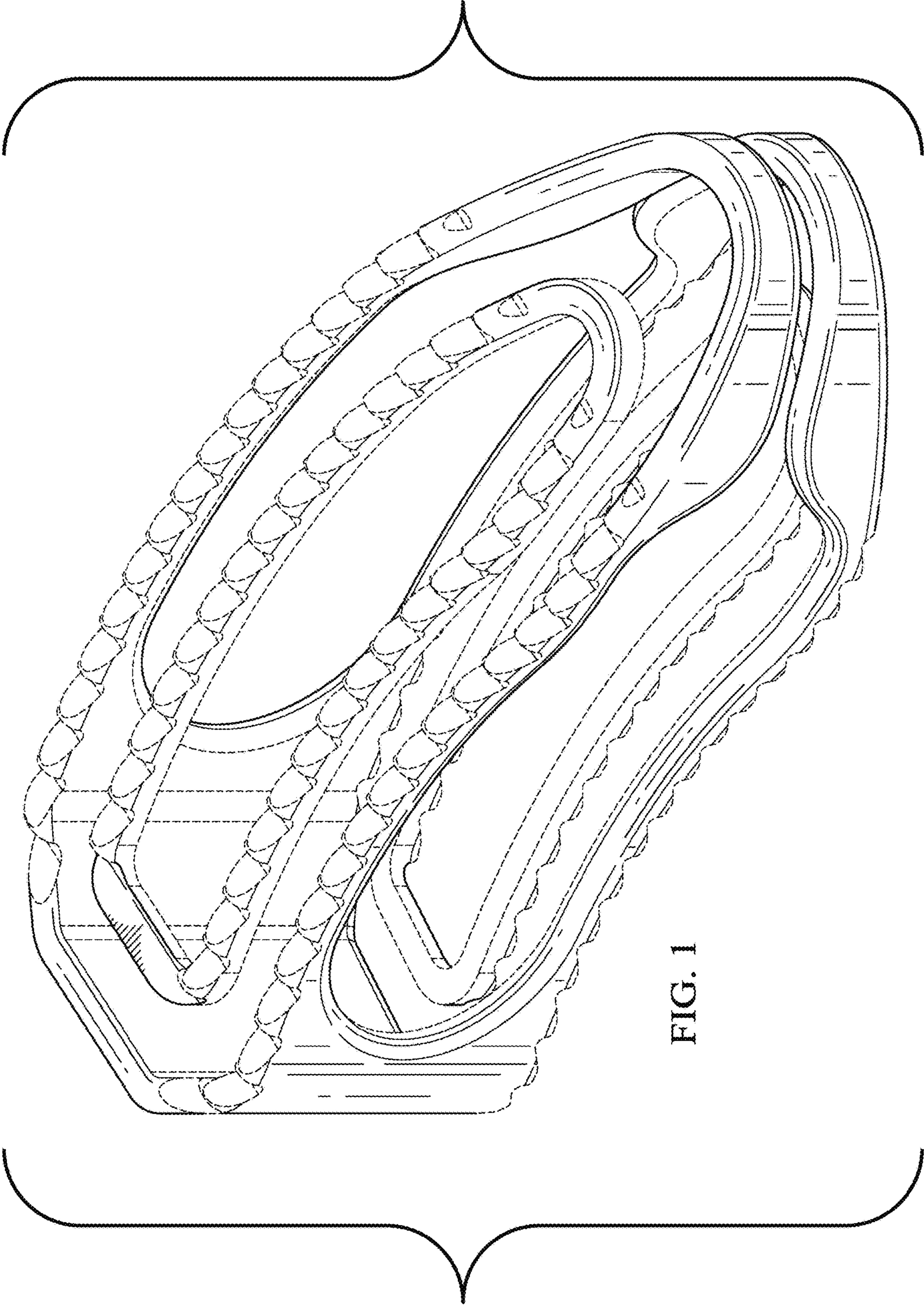


FIG. 1

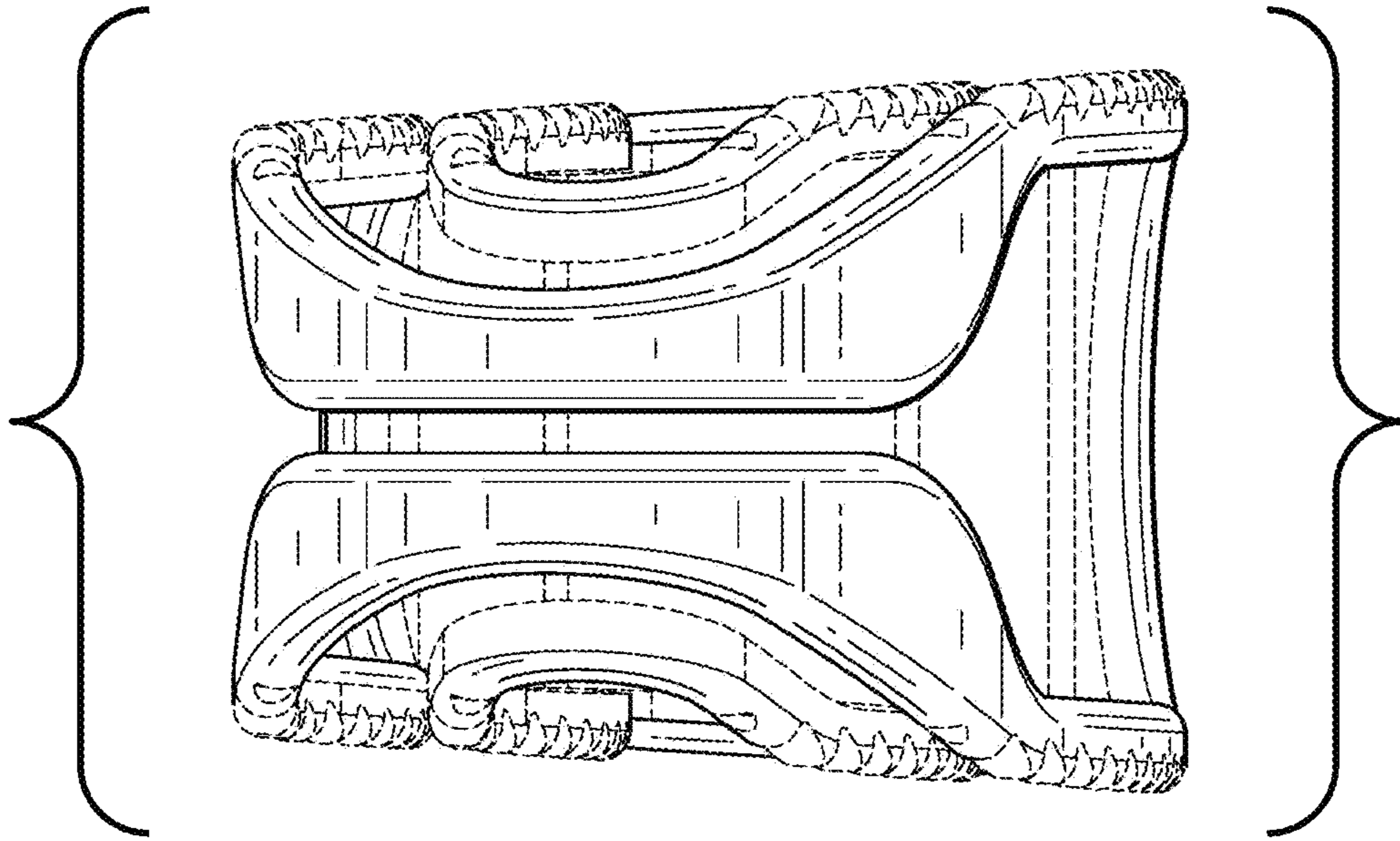


FIG. 2

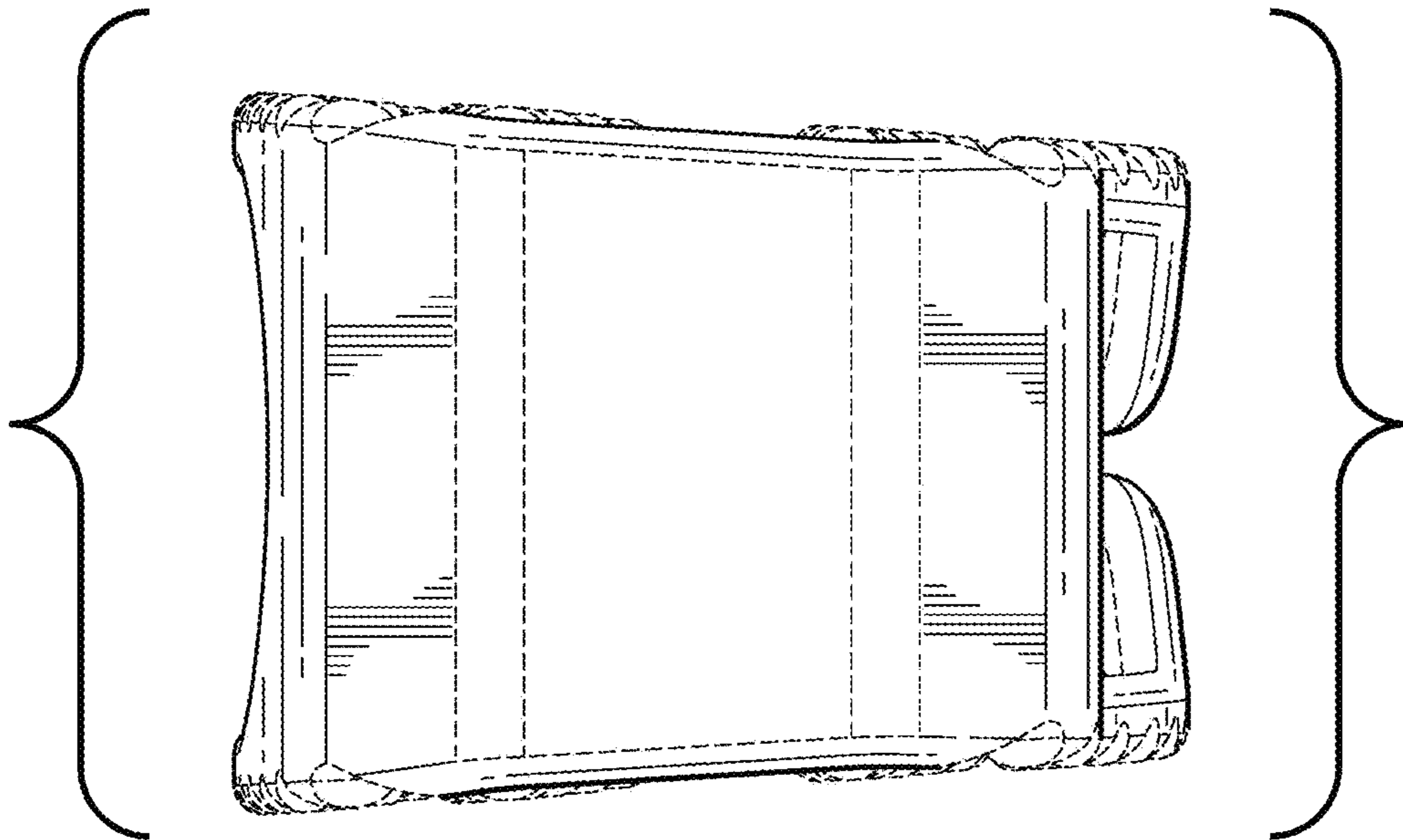


FIG. 3

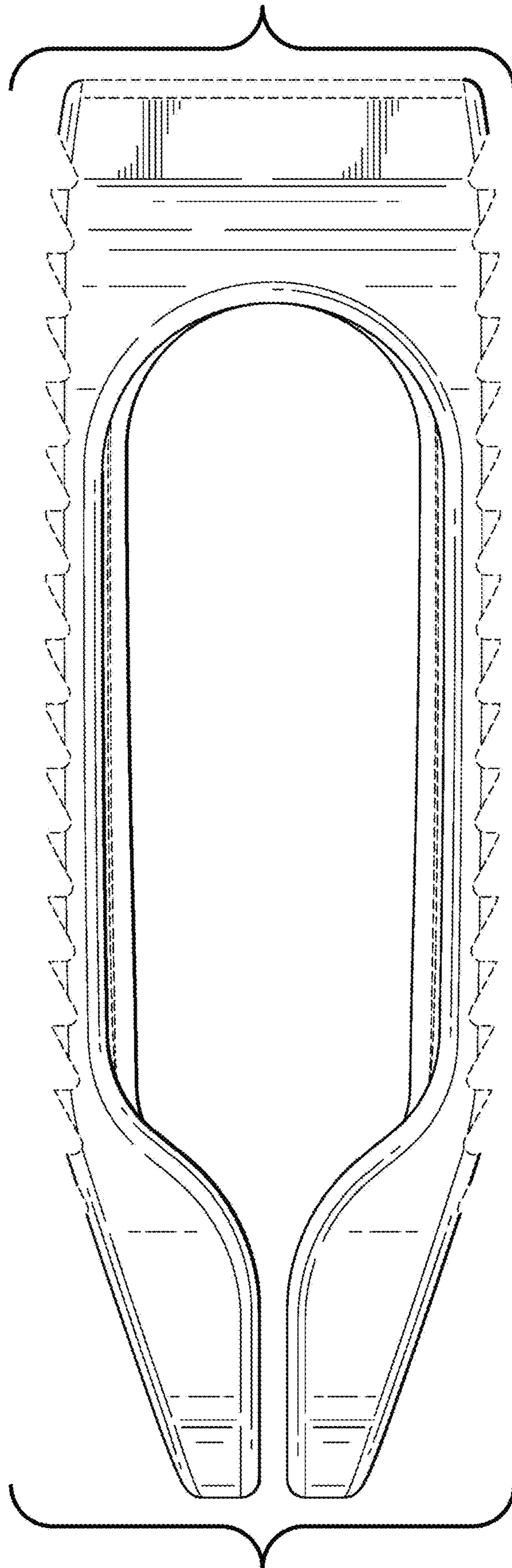


FIG. 4

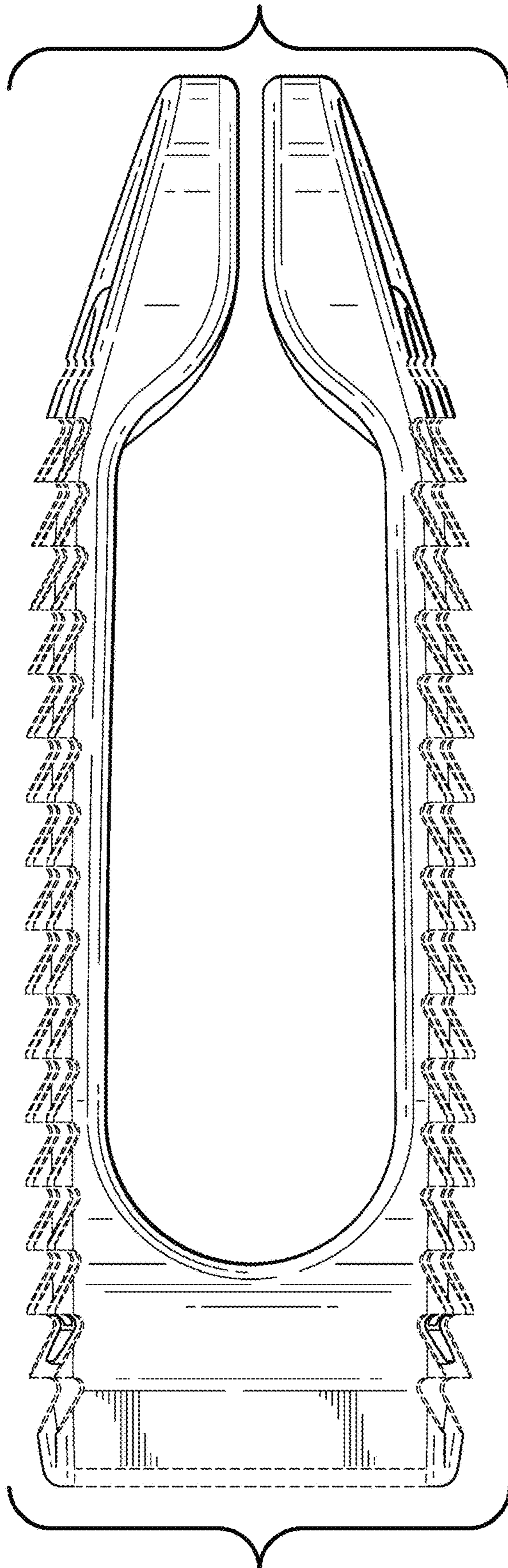


FIG. 5

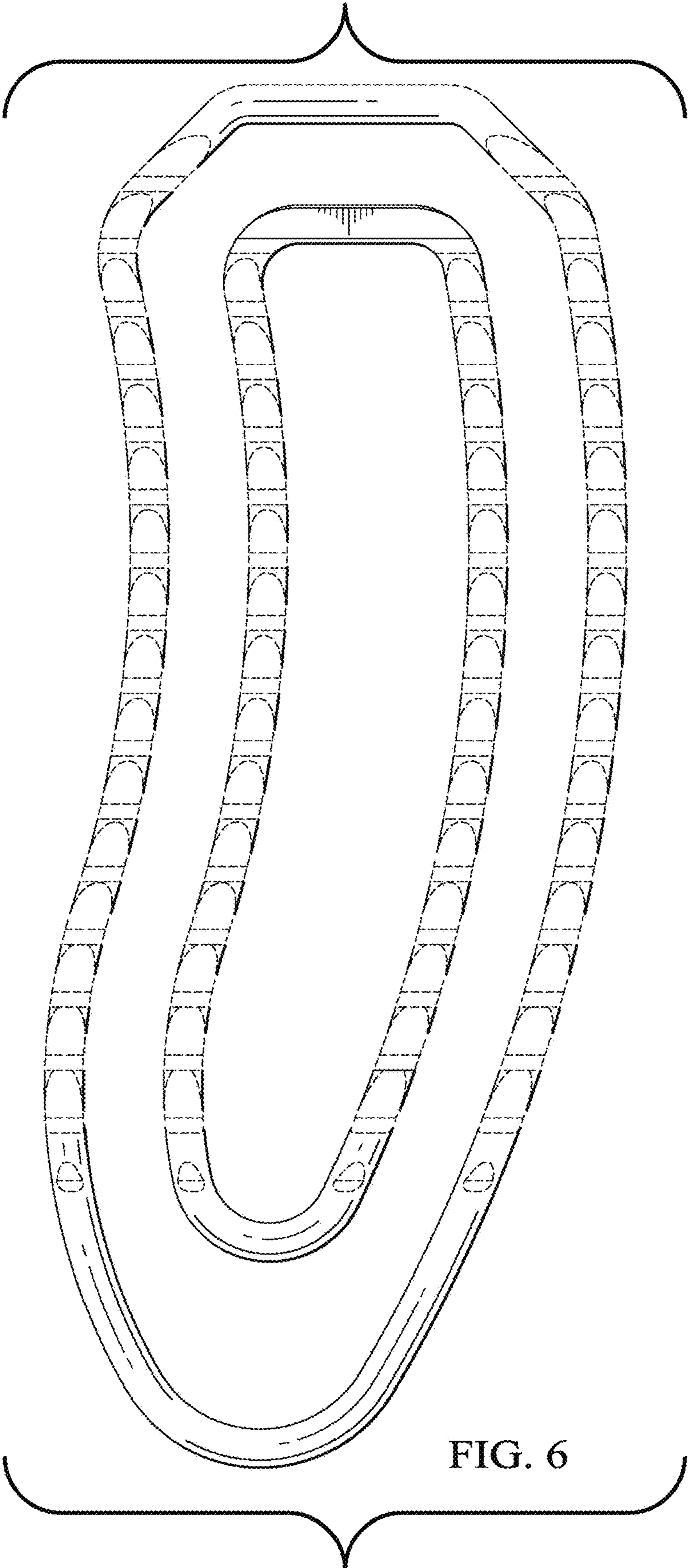


FIG. 6

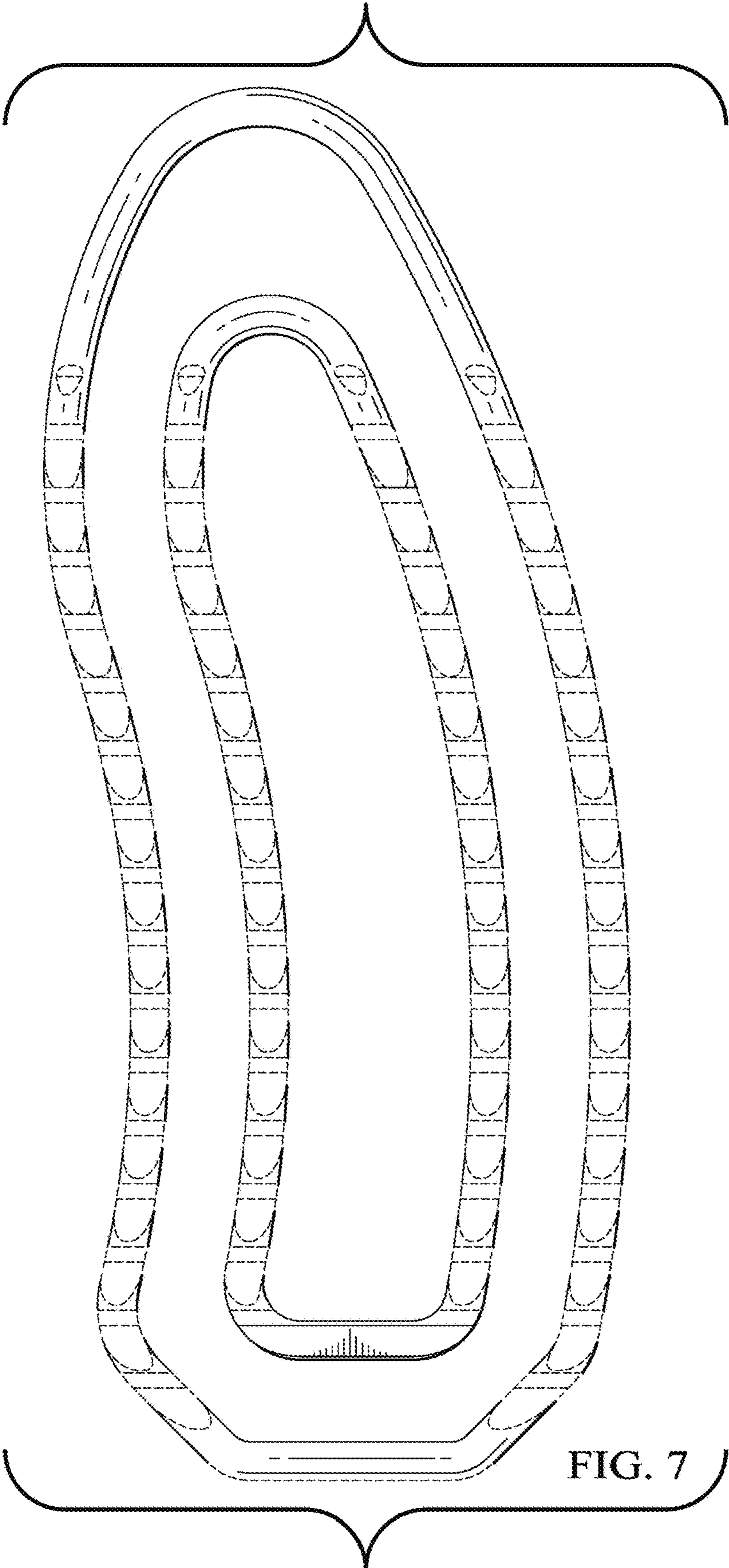


FIG. 7