

US00D969319S

(12) **United States Design Patent** (10) **Patent No.:** **US D969,319 S**
Stanley et al. (45) **Date of Patent:** **** Nov. 8, 2022**

(54) **COMPRESSION CLAMP**
(71) Applicants: **Richard Lewis Stanley**, Ellsworth, ME (US); **Lorraine Strauss Stanley**, Ellsworth, ME (US)

(72) Inventors: **Richard Lewis Stanley**, Ellsworth, ME (US); **Lorraine Strauss Stanley**, Ellsworth, ME (US)

(73) Assignee: **Richard Lewis Stanley**, Ellsworth, ME (US)

(**) Term: **15 Years**

(21) Appl. No.: **29/762,619**

(22) Filed: **Dec. 17, 2020**

(51) **LOC (13) Cl.** **24-02**

(52) **U.S. Cl.**
USPC **D24/143**

(58) **Field of Classification Search**
USPC D24/127, 128, 129, 106, 143; D8/72, 73, D8/394, 396, 349, 354, 371, 382, 383; D12/223; D19/32, 86
CPC H01R 11/11; F16L 3/13; F16L 23/036
See application file for complete search history.

(56) **References Cited**

U.S. PATENT DOCUMENTS

4,662,618 A	5/1987	Willis	
5,282,737 A	2/1994	Ray	
D363,545 S *	10/1995	Miller	D24/143
D390,447 S *	2/1998	Colen, Jr.	D8/356
D443,201 S *	6/2001	Bendick	D3/261
D502,773 S *	3/2005	Abry	D24/209
D518,687 S *	4/2006	Baker	D7/686
D627,105 S *	11/2010	Cho	D24/143
D633,377 S *	3/2011	Chan	D8/383
D654,349 S *	2/2012	Schopf	D8/354
D767,761 S *	9/2016	Babb	D24/143

D768,855 S *	10/2016	McMillan	D24/143
D807,161 S *	1/2018	Whitaker	D8/394
D843,193 S *	3/2019	Guo	D8/72

(Continued)

FOREIGN PATENT DOCUMENTS

DE	7125407	10/1971	
GB	191313235 A	6/1914	
KR	301153129.0000	* 3/2022	24/2

OTHER PUBLICATIONS

11" Locking C-Clamp With Swivel Pads, Eagle Grip USA, [Post date: May 11, 2022], [Site seen Jun. 13, 2022], Seen at URL: https://www.eaglegripusa.com/product_cat/clamps/ (Year: 2022).*
(Continued)

Primary Examiner — Natasha Vujcic
Assistant Examiner — Gilbert B Ford
(74) *Attorney, Agent, or Firm* — Caldwell Intellectual Property Law

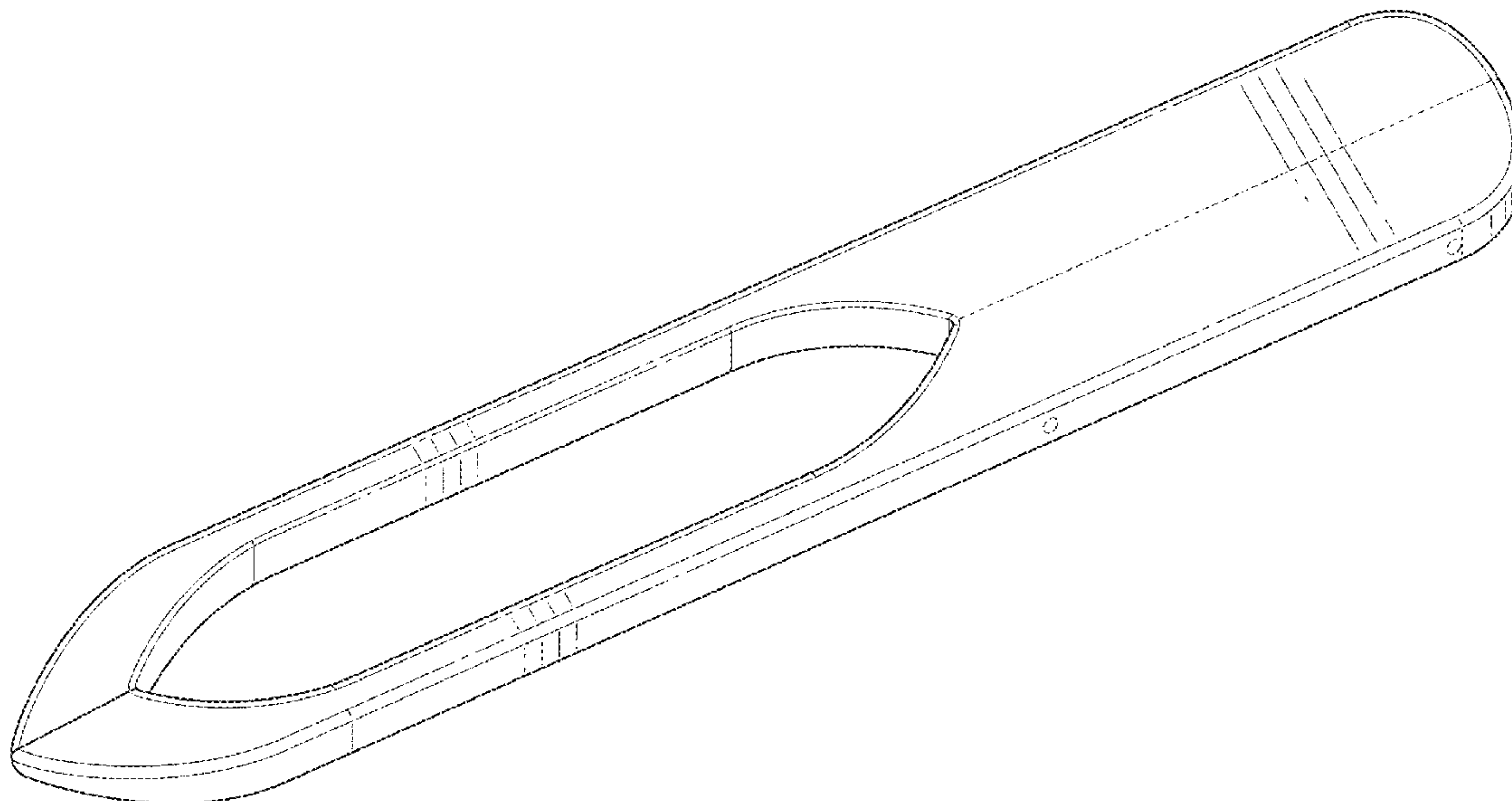
(57) **CLAIM**

We claim, the ornamental design for a compression clamp, as shown and described.

DESCRIPTION

FIG. 1 is a perspective view of a compression clamp showing the new design;
FIG. 2 is a left sided view thereof;
FIG. 3 is a right sided view thereof;
FIG. 4 is a front view thereof;
FIG. 5 is a back view thereof;
FIG. 6 is a top view in a closed clamp configuration thereof;
FIG. 7 is a bottom view in the closed clamp configuration thereof; and,
FIG. 8 is a top view in an open clamp configuration thereof.
The broken lines illustrate portions of the compression clamp and form no part of the claimed design.

1 Claim, 6 Drawing Sheets



(56)

References Cited

U.S. PATENT DOCUMENTS

D909,680 S * 2/2021 Hussain D24/143
D948,041 S * 4/2022 Schumaier D24/143
D949,337 S * 4/2022 Thunte D24/143
2004/0211109 A1 10/2004 Petitjean
2019/0090670 A1 3/2019 Luh

OTHER PUBLICATIONS

<https://picclick.com/19Th-C-Antique-Primitive-Wooden-Leather-Harness-Saddle-Makers-254005470007.html>; 19Th C Antique Primitive Wooden Leather Harness/Saddle Maker's Clamp Sewing Vise.
<https://www.antiquesnavigator.com/d-2502329/primitive-wooden-leather-working-clamp-vise-harness-ranch-farm-decor-patina.html>; Primitive Wooden Leather Working Clamp-Vise Harness Ranch Farm Decor Patina!!
<https://www.behance.net/gallery/9074257/Bent-Wood-Tongs>; Bent Wood Tongs.
https://www.antiques-atlas.com/antique/large_wooden_pincer_clamps/as333a094; Large Wooden Pincer Clamps.
<https://www.amazon.com/Wooden-Jewelers-Setting-Engraving-Jewelry/dp/B01AM77NGO>; 6" Wooden Ring Clamp w/Wedge Jewelers Hand Tool Stone Setting Engraving Repair Jewelry Making Tool; By: PMC Supplies LLC.
<https://www.katena.com/products/needle-holder-straight-without-lock-delicate-titanium>; Needle Holder, Straight, Without Lock, Delicate, Titanium; By: Katena.

* cited by examiner

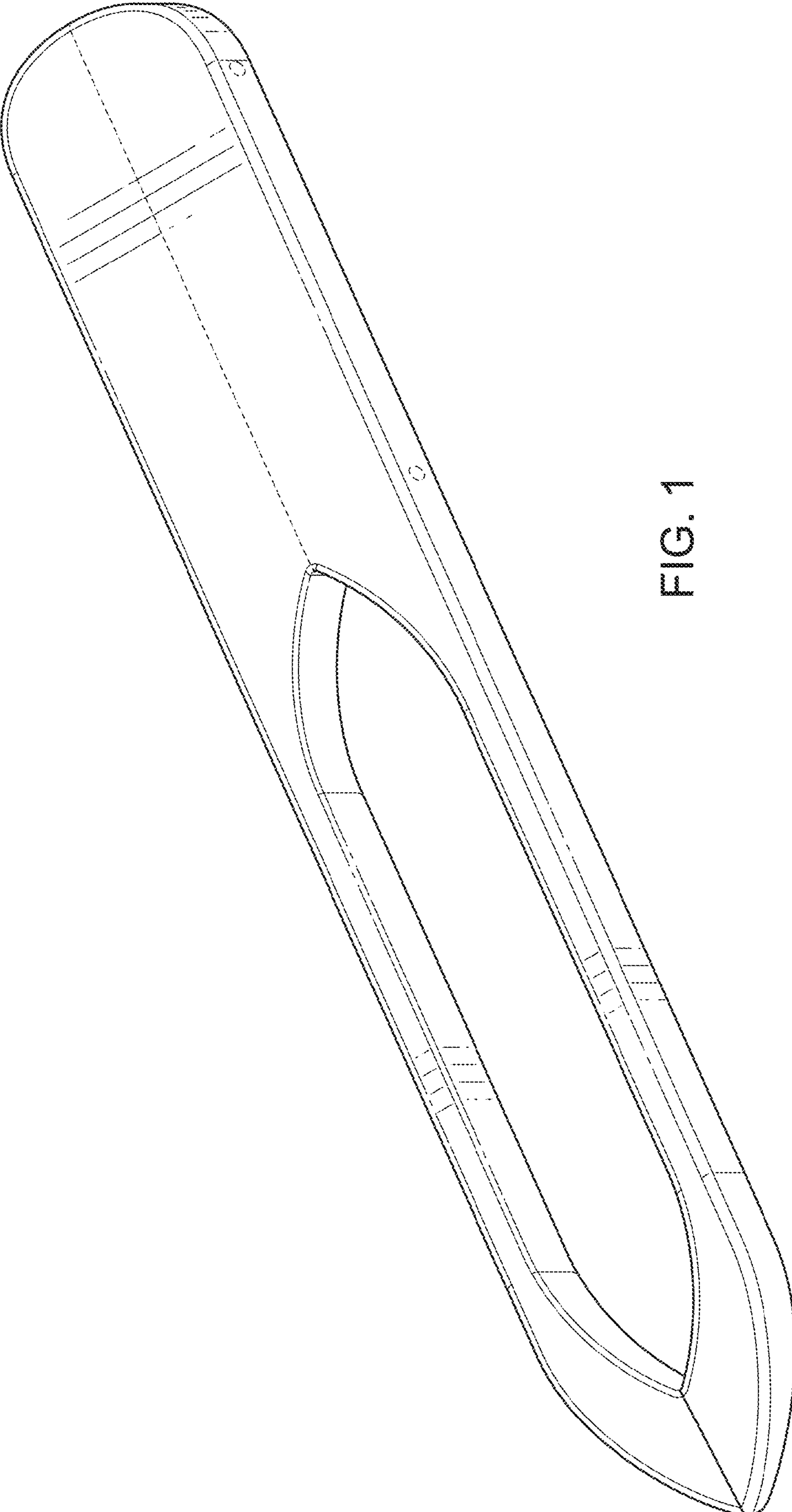


FIG. 1

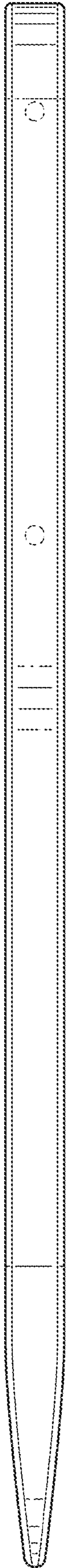


FIG. 2

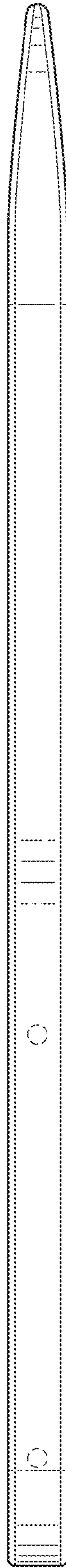


FIG. 3

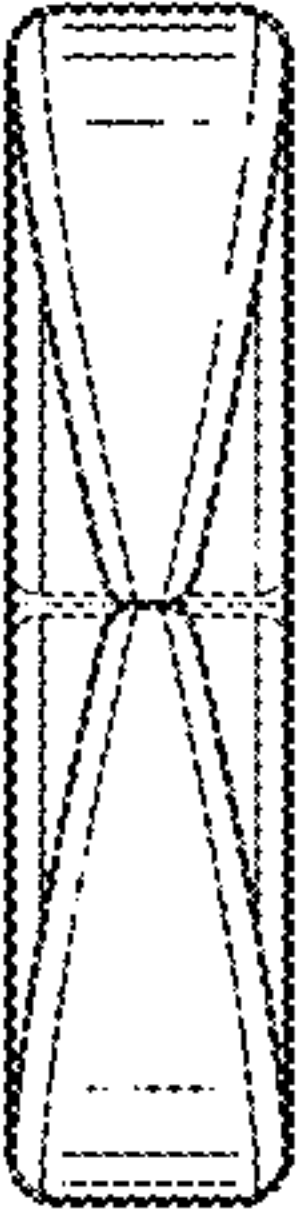


FIG. 4



FIG. 5

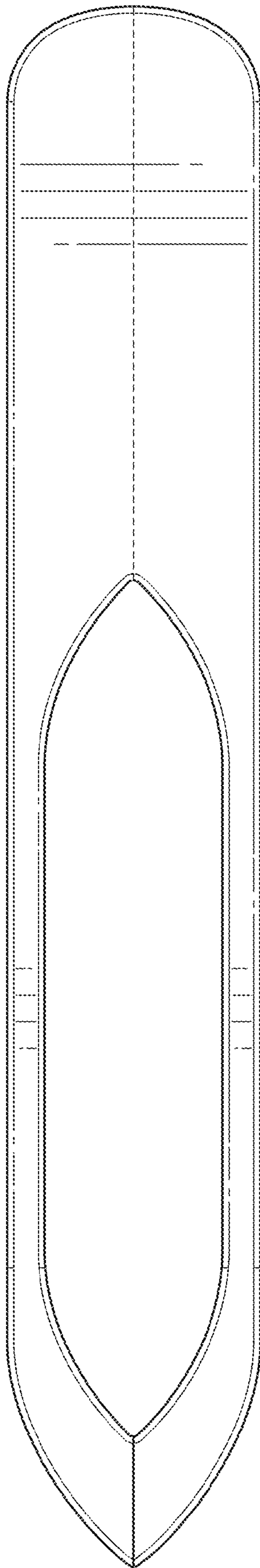


FIG. 6

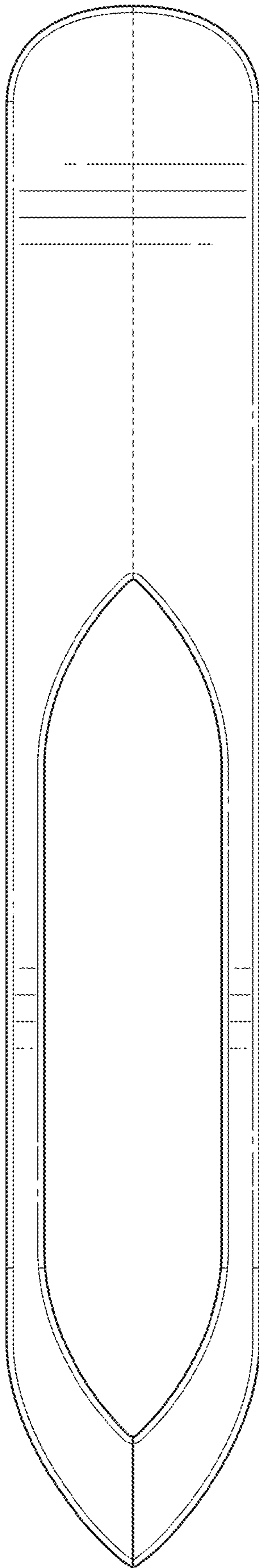


FIG. 7

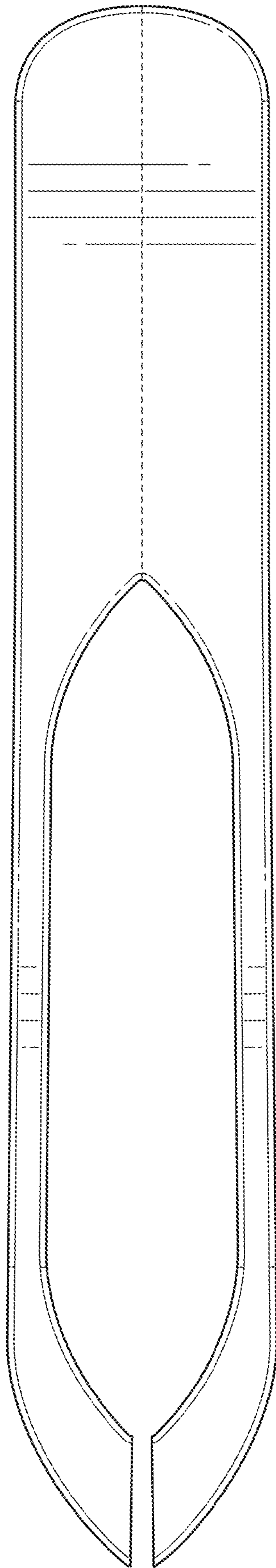


FIG. 8