

US00D969318S

(12) **United States Design Patent**  
**Fox et al.**

(10) **Patent No.:** **US D969,318 S**  
(45) **Date of Patent:** **\*\* Nov. 8, 2022**

(54) **CRYOTHERAPY DEVICE**

(71) Applicant: **Arrinex, Inc.**, Redwood City, CA (US)

(72) Inventors: **William Jason Fox**, San Mateo, CA (US); **Vahid Saadat**, Atherton, CA (US); **David Moosavi**, Redwood City, CA (US); **Sherwin Llamido**, Union City, CA (US); **Roman Turovskiy**, San Francisco, CA (US); **William Gould**, Santa Fe, NM (US); **Matt Allison Herron**, Hayward, CA (US)

(73) Assignee: **Arrinex, Inc.**, Redwood City, CA (US)

(\*\*) Term: **15 Years**

(21) Appl. No.: **29/697,558**

(22) Filed: **Jul. 9, 2019**

(51) **LOC (13) Cl.** ..... **24-02**

(52) **U.S. Cl.**  
USPC ..... **D24/133**

(58) **Field of Classification Search**  
USPC ..... D24/112–114, 108, 130, 127, 187, 133,  
D24/134, 135, 136, 137, 138, 140, 144,  
D24/145, 146, 147, 107; D28/7; D8/8,  
D8/303  
CPC ..... A61B 18/0218; A61B 18/02; A61B  
2018/0231; A61B 2018/00452; A61M  
35/003; A61M 35/00; A61M 2037/0007;  
A61M 2210/04  
See application file for complete search history.

(56) **References Cited**

U.S. PATENT DOCUMENTS

4,400,168 A \* 8/1983 Buechel ..... A61M 1/741  
604/93.01  
D329,291 S \* 9/1992 Wollman ..... D24/214  
D389,573 S \* 1/1998 Harman ..... D24/133  
D392,040 S \* 3/1998 Harman ..... D24/133

D418,223 S \* 12/1999 Phipps ..... D24/133  
D436,165 S \* 1/2001 Donaldson ..... D24/113  
D478,986 S \* 8/2003 Johnston ..... D24/146  
D495,413 S \* 8/2004 Perry ..... D24/108  
D536,444 S \* 2/2007 Bacher ..... D24/133  
D536,445 S \* 2/2007 Bacher ..... D24/133  
D536,446 S \* 2/2007 Doll ..... D24/147

(Continued)

OTHER PUBLICATIONS

Cryotherapy Gun System, [site visited Mar. 22, 2022], Available from Internet. URL: <https://www.haydenmedical.com/product/cryotherapy-system-mgc-200/> (Year: 2022).\*

(Continued)

*Primary Examiner* — T Chase Nelson

*Assistant Examiner* — Kelly L Gross

(74) *Attorney, Agent, or Firm* — McDonnell Boehnen Hulbert & Berghoff LLP

(57) **CLAIM**

The ornamental design for a cryotherapy device, as shown and described.

**DESCRIPTION**

FIG. 1 is a perspective view of a cryotherapy device of the present design;

FIG. 2 is a right side view thereof;

FIG. 3 is a left side view thereof;

FIG. 4 is a rear view thereof;

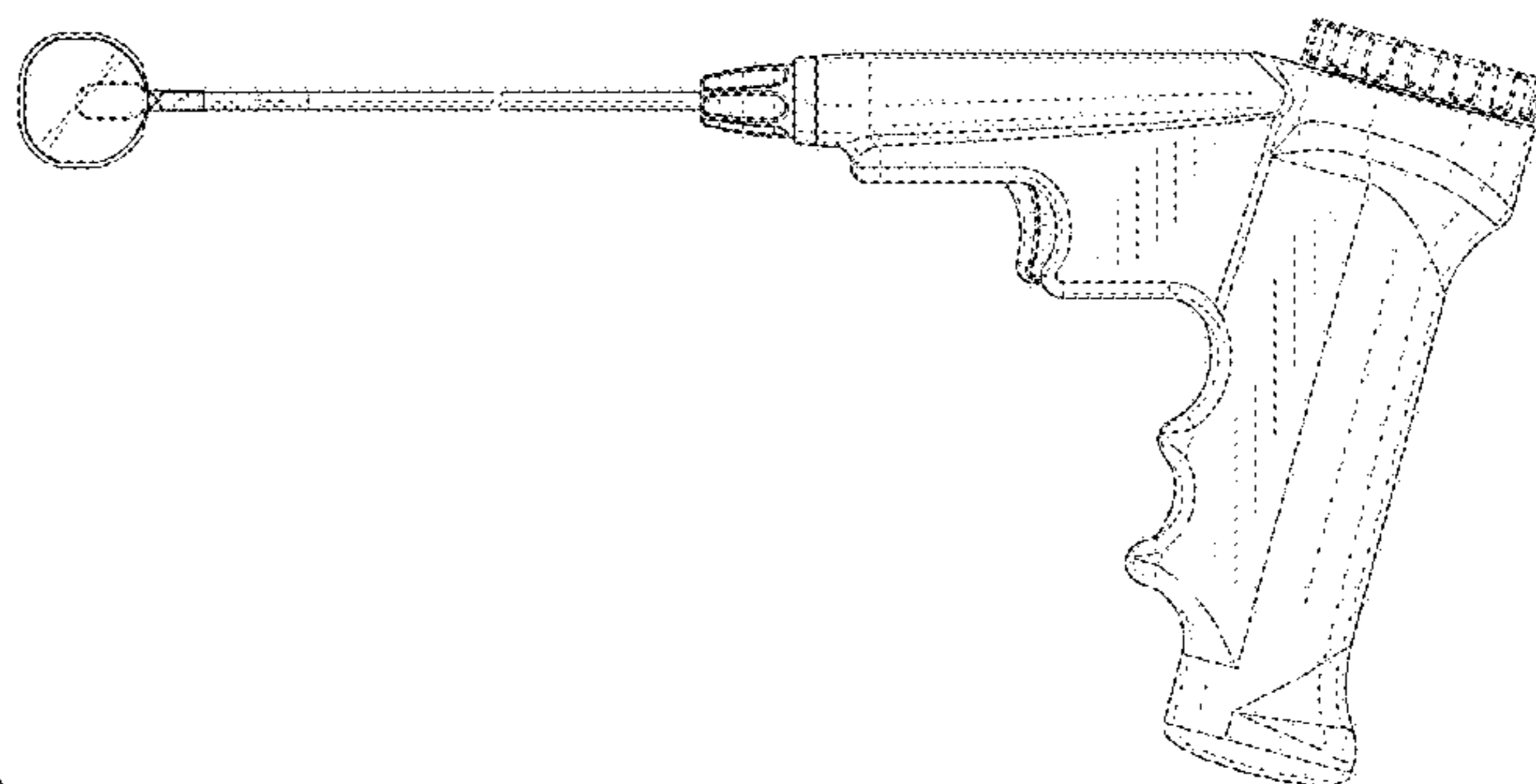
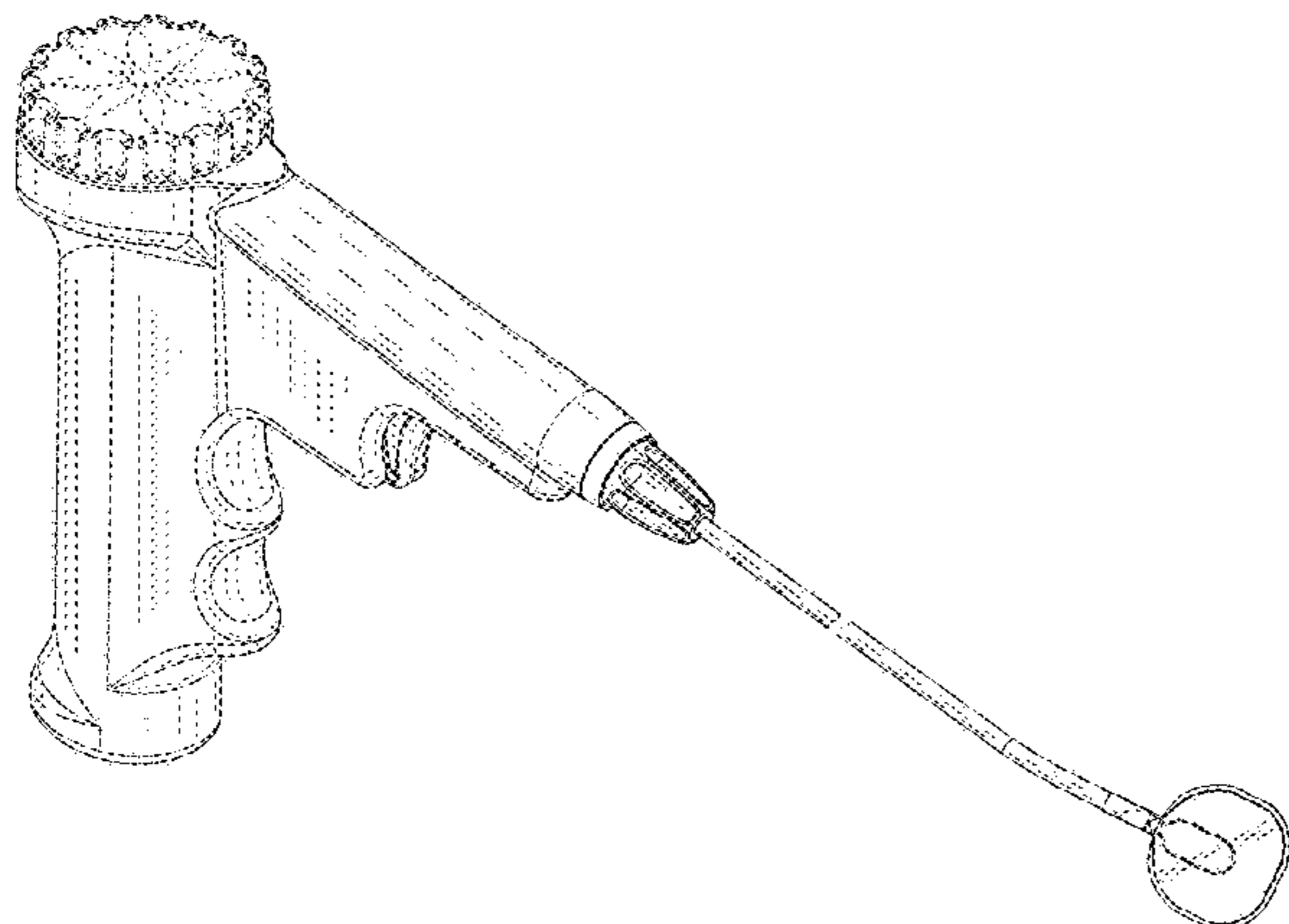
FIG. 5 is a front view thereof;

FIG. 6 is top view thereof; and,

FIG. 7 is bottom view thereof.

The portions of the drawings shown in broken lines represent environmental structure and form no part of the claimed design. The parallel, wavy lines shown in broken lines are symbolic breaks, and any portion of the cryotherapy device between the breakaways forms no part of the claimed design.

**1 Claim, 6 Drawing Sheets**



(56)

References Cited

U.S. PATENT DOCUMENTS

D536,785 S \* 2/2007 Bacher ..... D24/133  
 D545,427 S \* 6/2007 Gibson ..... D24/113  
 D568,992 S \* 5/2008 Bacher ..... D24/133  
 D572,096 S \* 7/2008 van Swicten ..... D8/14.1  
 D578,644 S \* 10/2008 Shumer ..... D24/147  
 D604,847 S \* 11/2009 Sawalhe ..... D24/146  
 D627,066 S \* 11/2010 Romero ..... D24/133  
 D631,964 S \* 2/2011 Miles ..... D24/133  
 D636,872 S \* 4/2011 Marescaux ..... D24/133  
 D640,789 S \* 6/2011 Peine ..... D24/133  
 D650,073 S \* 12/2011 Pedersen ..... D24/133  
 D658,759 S \* 5/2012 Marescaux ..... D24/133  
 D698,921 S \* 2/2014 Koennecke ..... D24/138  
 D726,314 S \* 4/2015 Marquez ..... D24/144  
 D758,579 S \* 6/2016 Keckstein ..... D24/141  
 D785,173 S \* 4/2017 Oberkircher ..... D24/138  
 D790,295 S \* 6/2017 Tinius ..... D8/1  
 D793,186 S \* 8/2017 Tinius ..... D8/1  
 D799,038 S \* 10/2017 Chang ..... D24/146  
 D809,139 S \* 1/2018 Marsot ..... D24/145  
 D820,972 S \* 6/2018 Klever ..... D24/108  
 D830,551 S \* 10/2018 Bratbak ..... D24/146  
 D831,819 S \* 10/2018 Genender ..... D24/108  
 10,368,898 B2 \* 8/2019 Brown ..... A61B 17/320092  
 10,376,262 B2 \* 8/2019 Zemlok ..... A61B 17/064  
 D860,441 S \* 9/2019 Spycher ..... D24/133

D874,643 S \* 2/2020 Genender ..... A61B 18/0218  
 D24/108  
 10,582,944 B2 \* 3/2020 Netzel ..... A61B 17/320092  
 D893,709 S \* 8/2020 Girod ..... A61B 18/0218  
 D24/152  
 D896,364 S \* 9/2020 Genender ..... D24/108  
 D902,403 S \* 11/2020 Marsot ..... D24/145  
 D911,521 S \* 2/2021 Swift ..... A61B 17/320092  
 D24/135  
 D929,585 S \* 8/2021 Sharp ..... A61B 17/064  
 D24/138  
 11,116,594 B2 \* 9/2021 Beardsley ..... A61B 34/71  
 D945,613 S \* 3/2022 Holzer ..... D24/138  
 D946,753 S \* 3/2022 Swick ..... D24/133  
 D952,844 S \* 5/2022 Holzer ..... D24/133  
 D953,529 S \* 5/2022 Holzer ..... D24/133  
 D954,973 S \* 6/2022 Mack ..... D24/187  
 2019/0021777 A1 \* 1/2019 Varady ..... A61B 18/0218  
 2021/0007882 A1 \* 1/2021 Kim ..... A61M 19/00  
 2021/0378727 A1 \* 12/2021 Goulko ..... A61B 18/0218

OTHER PUBLICATIONS

Arrinex website, [www.arrinex.com](http://www.arrinex.com), retrieved from the World Wide Web on Jan. 17, 2020.  
 Patient Animation Video for ClariFix, [www.youtube.com/watch?v=U3VrRoDBaNE](http://www.youtube.com/watch?v=U3VrRoDBaNE), retrieved from the World Wide Web on Jan. 17, 2020.

\* cited by examiner

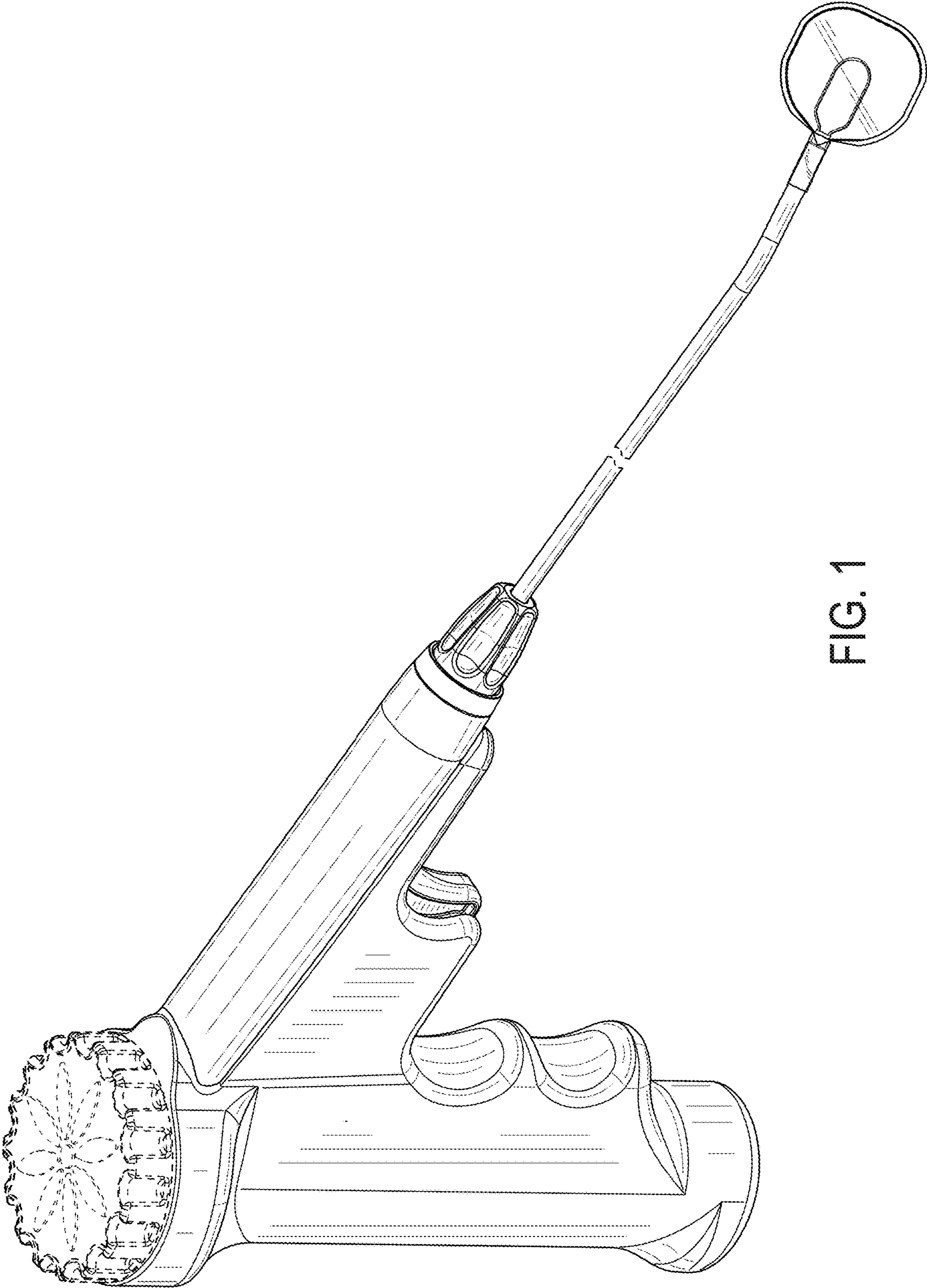


FIG. 1

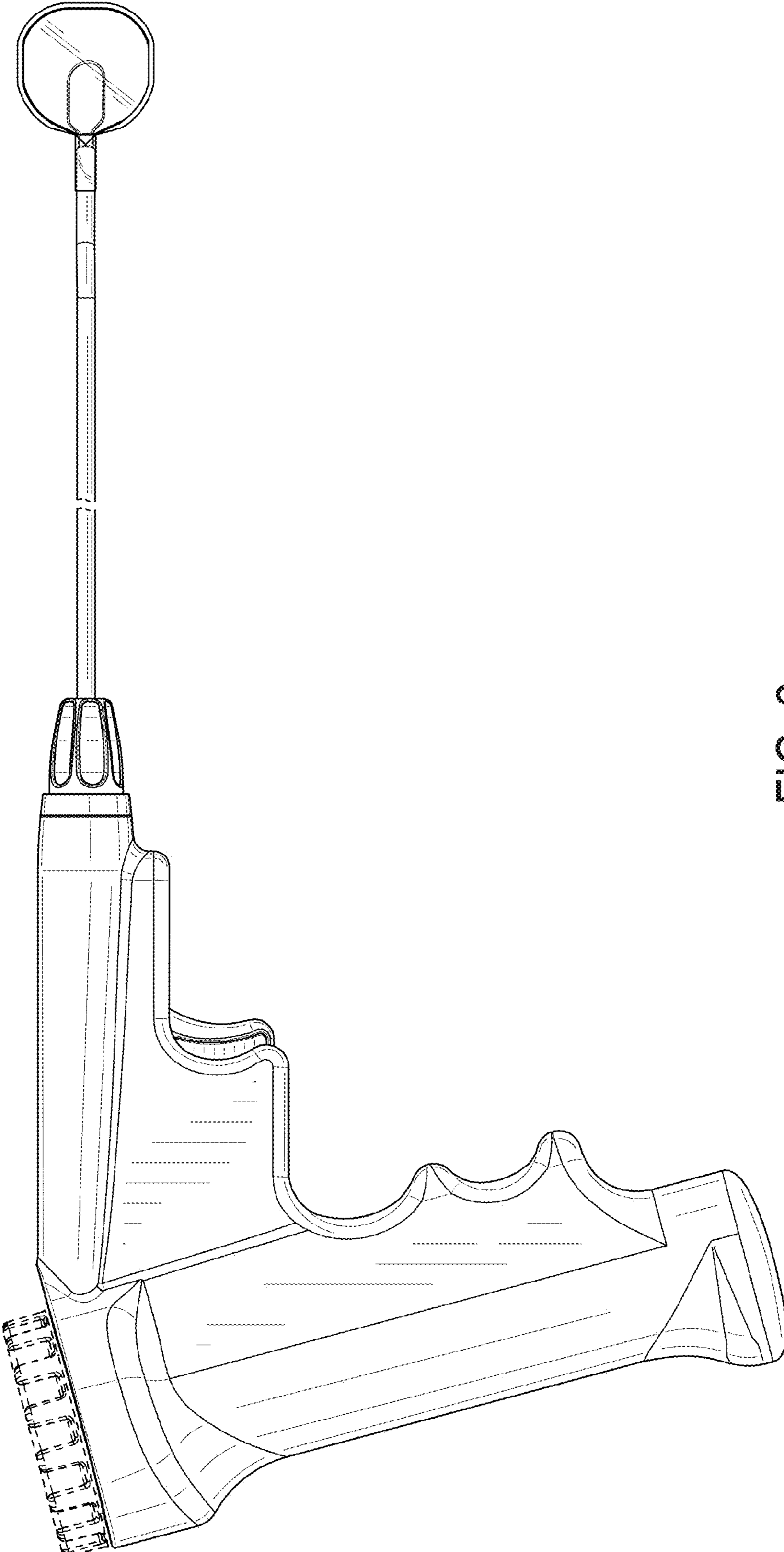


FIG. 2

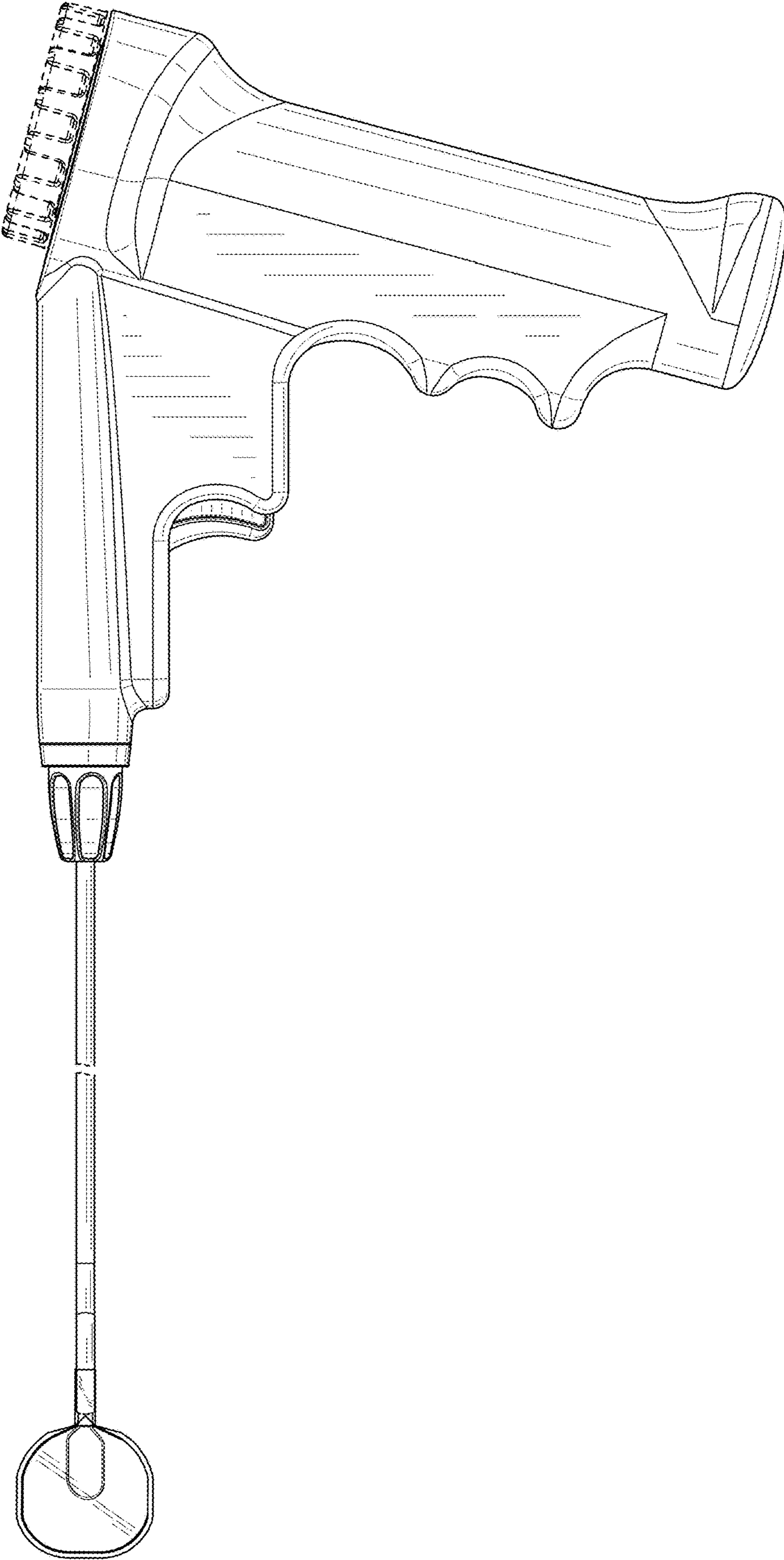


FIG. 3

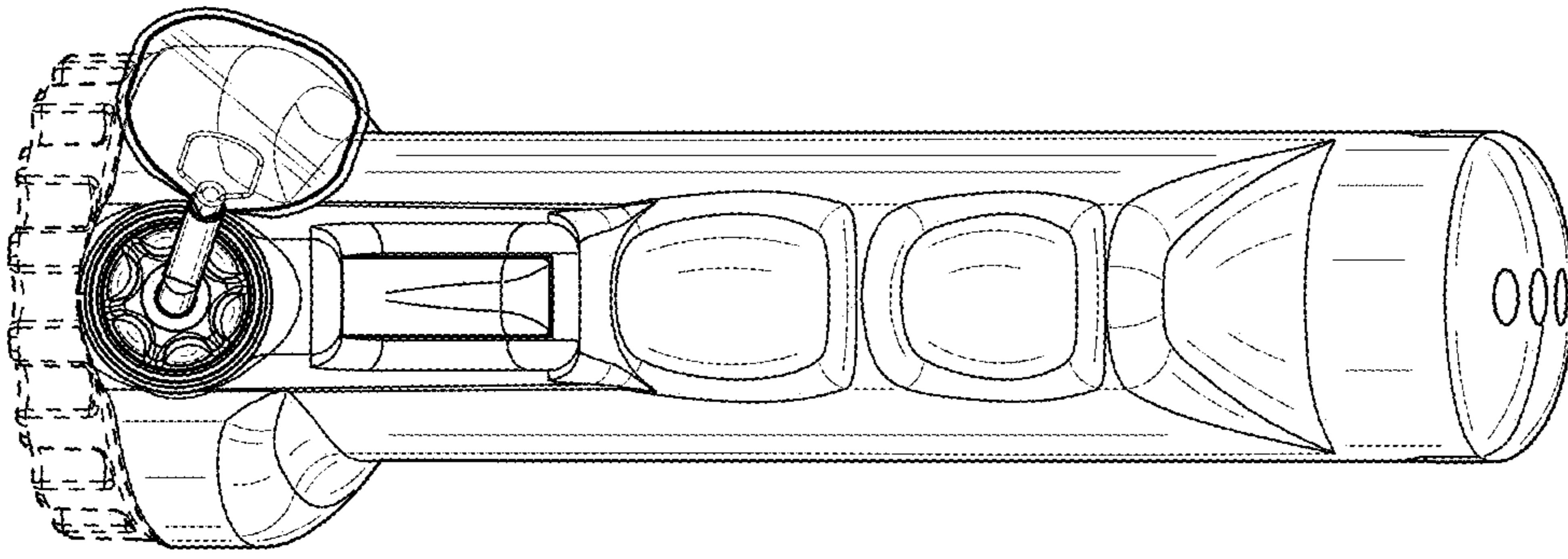


FIG. 5

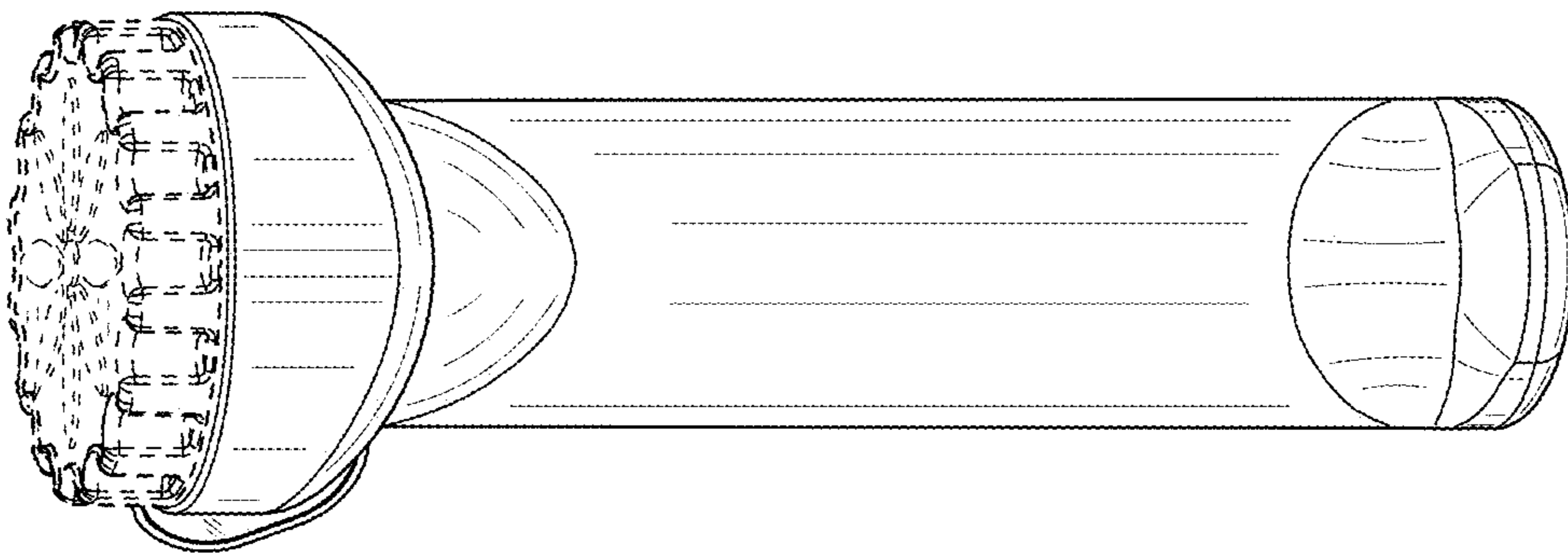


FIG. 4

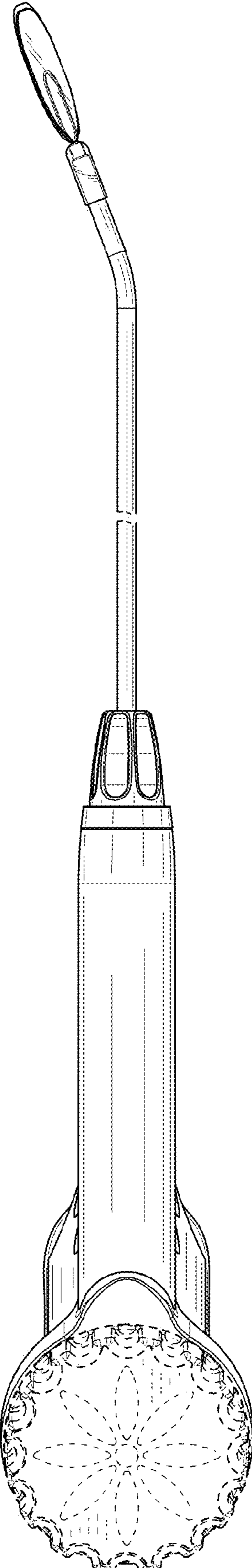


FIG. 6

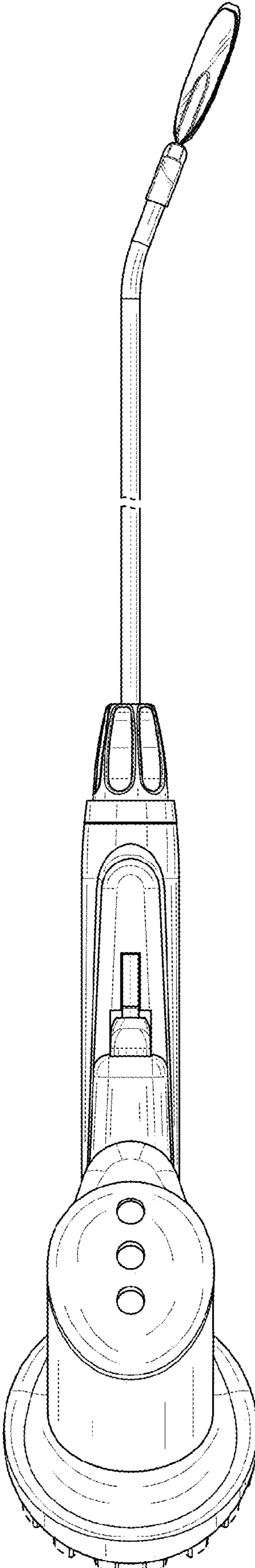


FIG. 7