



US00D969316S

(12) **United States Design Patent**
Milhous et al.

(10) **Patent No.:** **US D969,316 S**

(45) **Date of Patent:** **** Nov. 8, 2022**

(54) **CATHETER HUB WITH AN ELECTRICAL CONNECTOR**

(56) **References Cited**

U.S. PATENT DOCUMENTS

- (71) Applicant: **MicroVention, Inc.**, Aliso Viejo, CA (US)
- (72) Inventors: **Parker Milhous**, Aliso Viejo, CA (US);
Heath Bowman, Aliso Viejo, CA (US);
Kaushik Joshi, Aliso Viejo, CA (US)
- (73) Assignee: **MicroVention, Inc.**, Aliso Viejo, CA (US)
- (**) Term: **15 Years**
- (21) Appl. No.: **29/792,328**
- (22) Filed: **Mar. 22, 2022**

D263,335 S *	3/1982	Bujan	D10/85
6,193,682 B1 *	2/2001	Ahmed	A61M 27/006 604/9
D475,458 S *	6/2003	Denolly	D24/133
D634,840 S *	3/2011	Lombardi, III	D24/129
D652,511 S *	1/2012	Lombardi, III	D24/129
D662,588 S *	6/2012	Davies	D24/144
D663,022 S *	7/2012	Lombardi, III	D24/129
D699,840 S *	2/2014	Lombardi, III	D24/129
D699,841 S *	2/2014	Lombardi, III	D24/129
D760,399 S *	6/2016	So	D24/227
2005/0203485 A1 *	9/2005	Lee	A61M 25/0097 604/523
2005/0209583 A1 *	9/2005	Powers	A61M 25/0014 604/533

(Continued)

Primary Examiner — Nathan M Johnston

(74) *Attorney, Agent, or Firm* — Inskeep IP Group, Inc.

(57) **CLAIM**

The ornamental design for a catheter hub with an electrical connector, as shown and described.

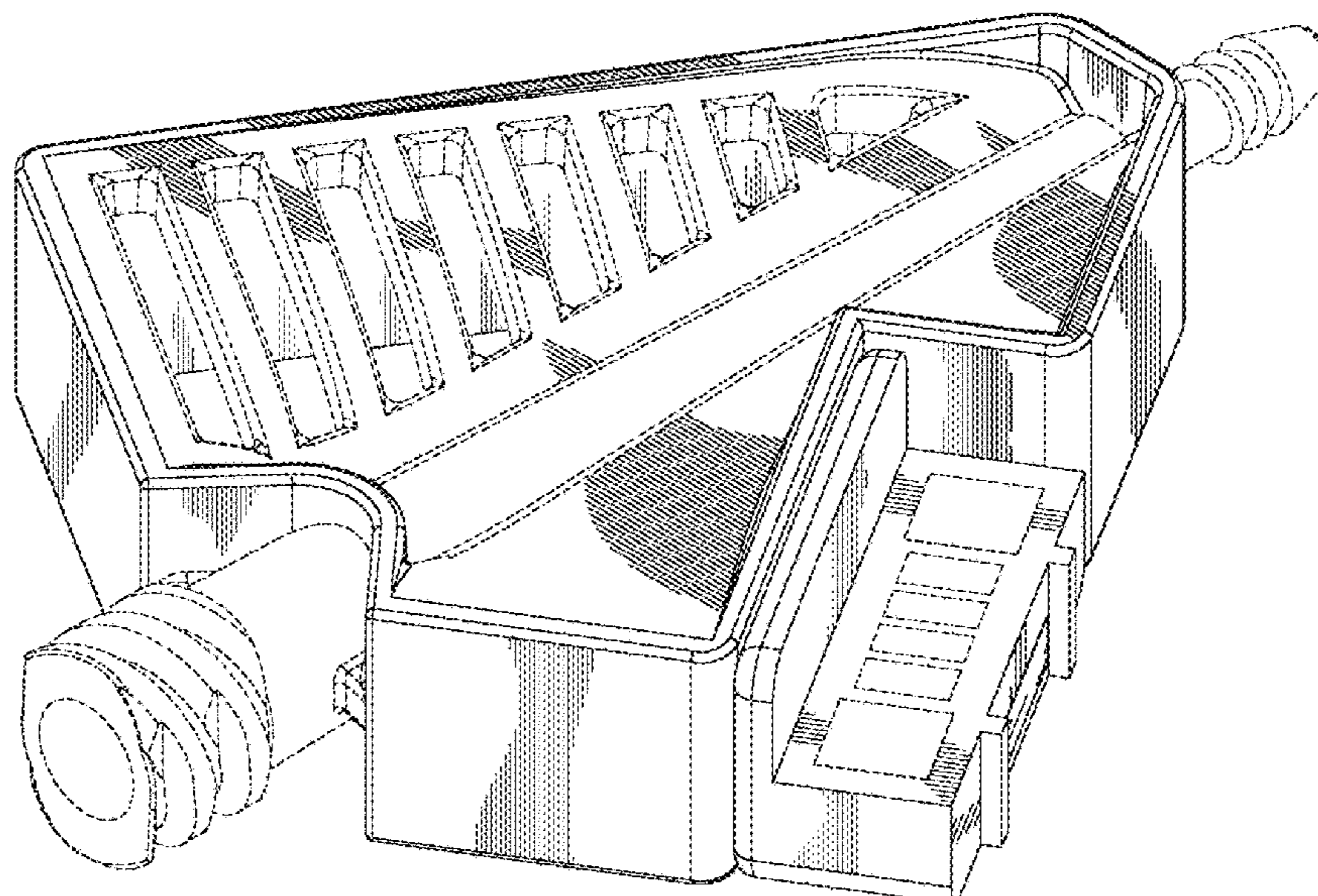
DESCRIPTION

FIG. 1 is a top perspective view of a catheter hub with an electrical connector showing our new design.
 FIG. 2 is bottom perspective view thereof the embodiment.
 FIG. 3 is a side view thereof the embodiment.
 FIG. 4 is a side view thereof the embodiment.
 FIG. 5 is an end view thereof the embodiment.
 FIG. 6 is an end view thereof the embodiment.
 FIG. 7 is a top view thereof the embodiment; and,
 FIG. 8 is a bottom view thereof the embodiment.
 The dashed lines immediately adjacent to the shaded areas in the figures represent the boundaries of the claimed design. The dashed lines in the figures illustrate the portions of the design that form no part of the claimed design. None of the broken lines form any part of the claimed design.

Related U.S. Application Data

- (62) Division of application No. 29/740,035, filed on Jun. 30, 2020, now Pat. No. Des. 952,139, which is a division of application No. 29/660,583, filed on Aug. 21, 2018, now Pat. No. Des. 892,320.
- (51) **LOC (13) Cl.** **24-01**
- (52) **U.S. Cl.**
USPC **D24/130**
- (58) **Field of Classification Search**
USPC D24/127–131, 112–114, 133, 186;
606/181, 185; 604/264, 523–528, 272,
604/187, 158, 164.01–164.11, 181, 184,
604/227; 600/101, 139, 143;
128/200.24, 207.14, 207.15
CPC A61M 25/00; A61M 39/00; A61M 27/00;
A61M 25/0043; A61M 25/0067; A61M
25/0097; A61F 2/958
See application file for complete search history.

1 Claim, 6 Drawing Sheets



(56)

References Cited

U.S. PATENT DOCUMENTS

2018/0236204 A1* 8/2018 Milhous A61M 25/0097

* cited by examiner

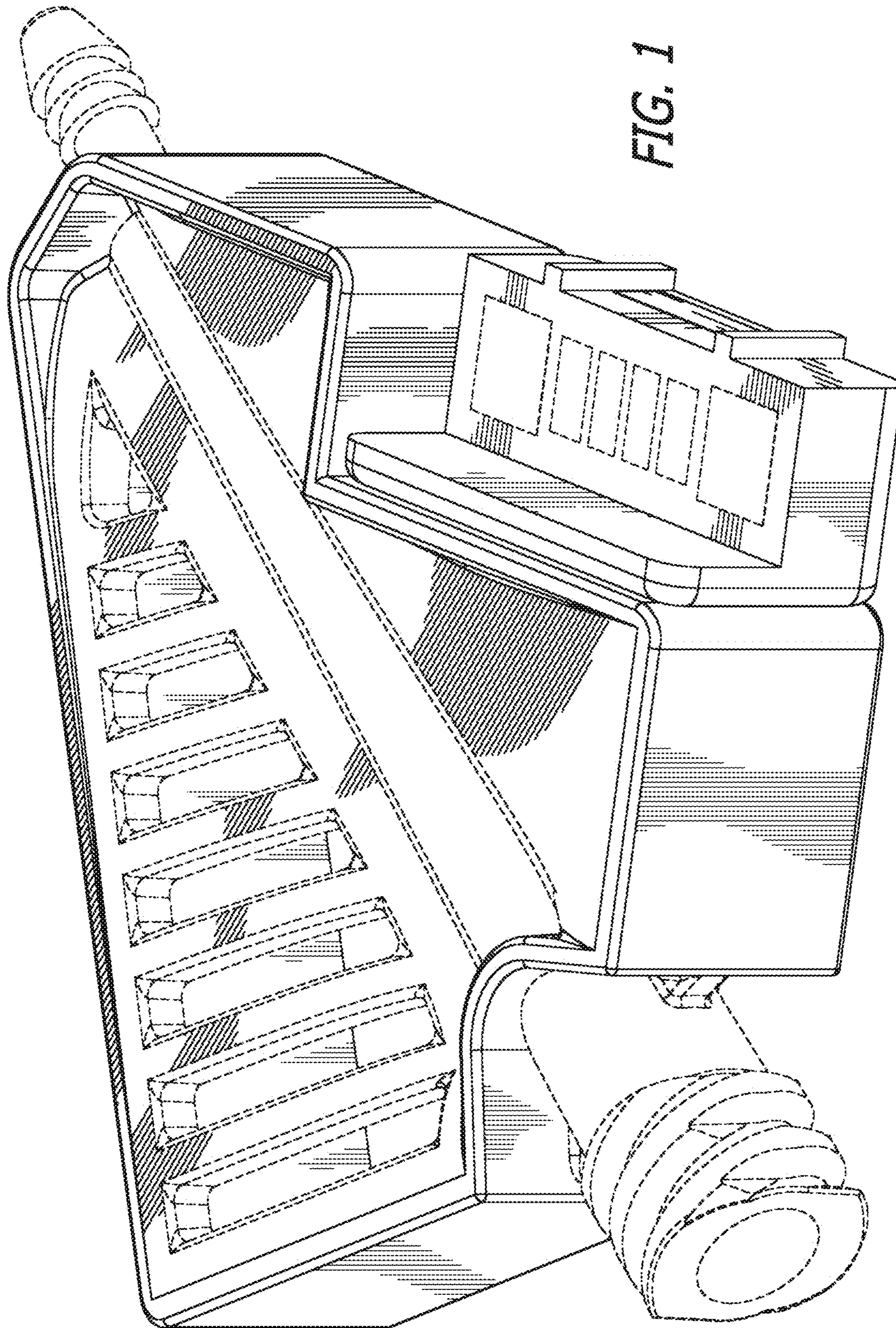


FIG. 1

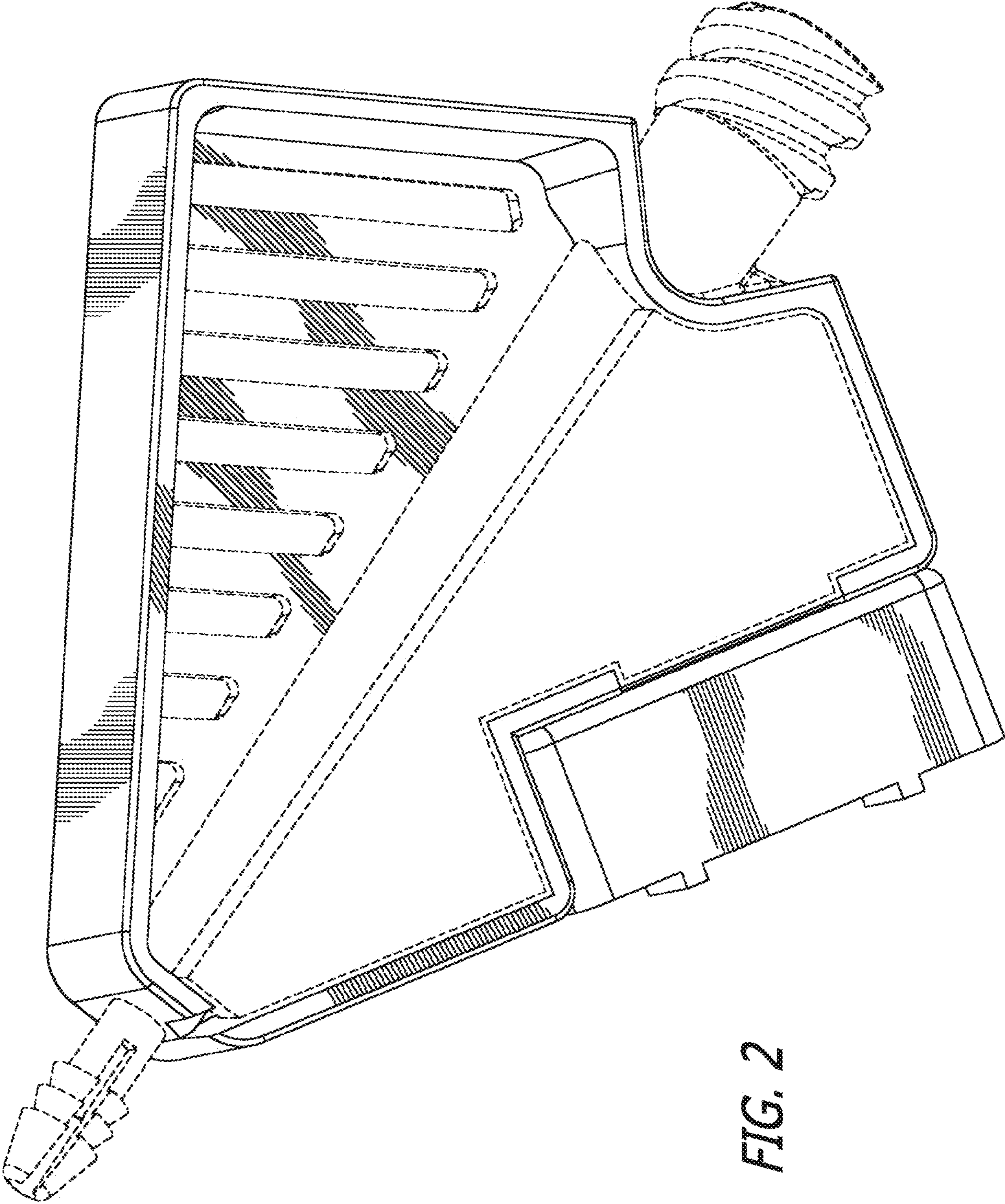


FIG. 2

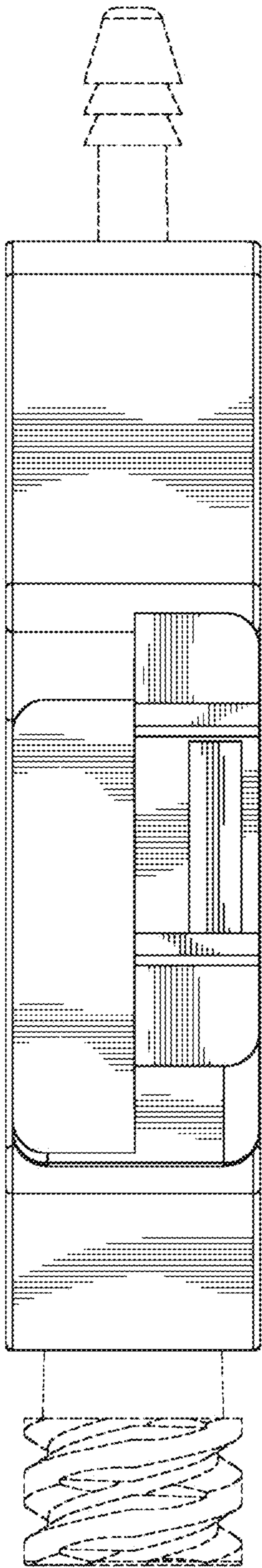


FIG. 3

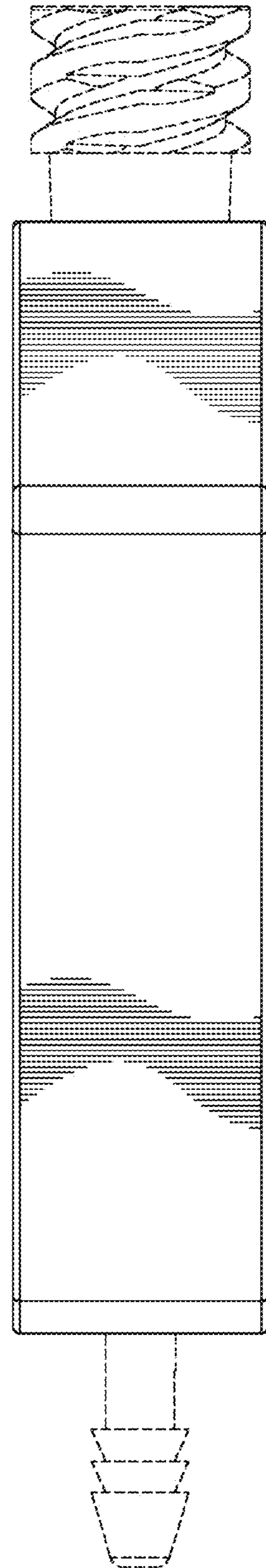


FIG. 4

FIG. 5

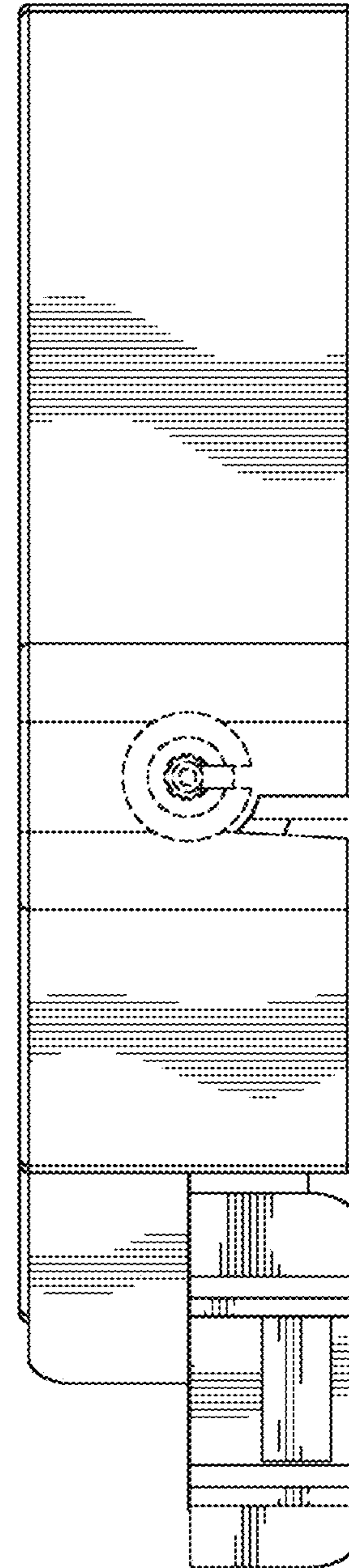
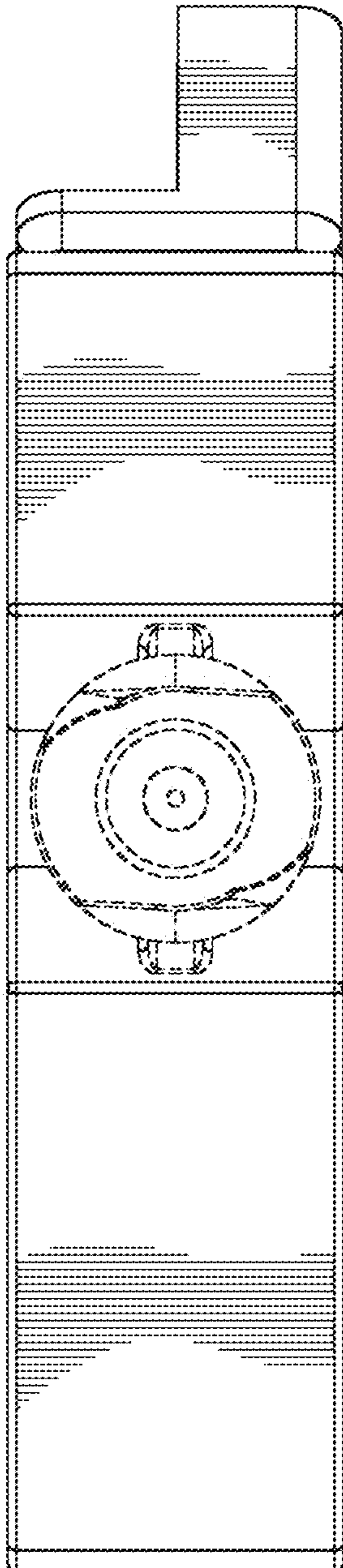


FIG. 6

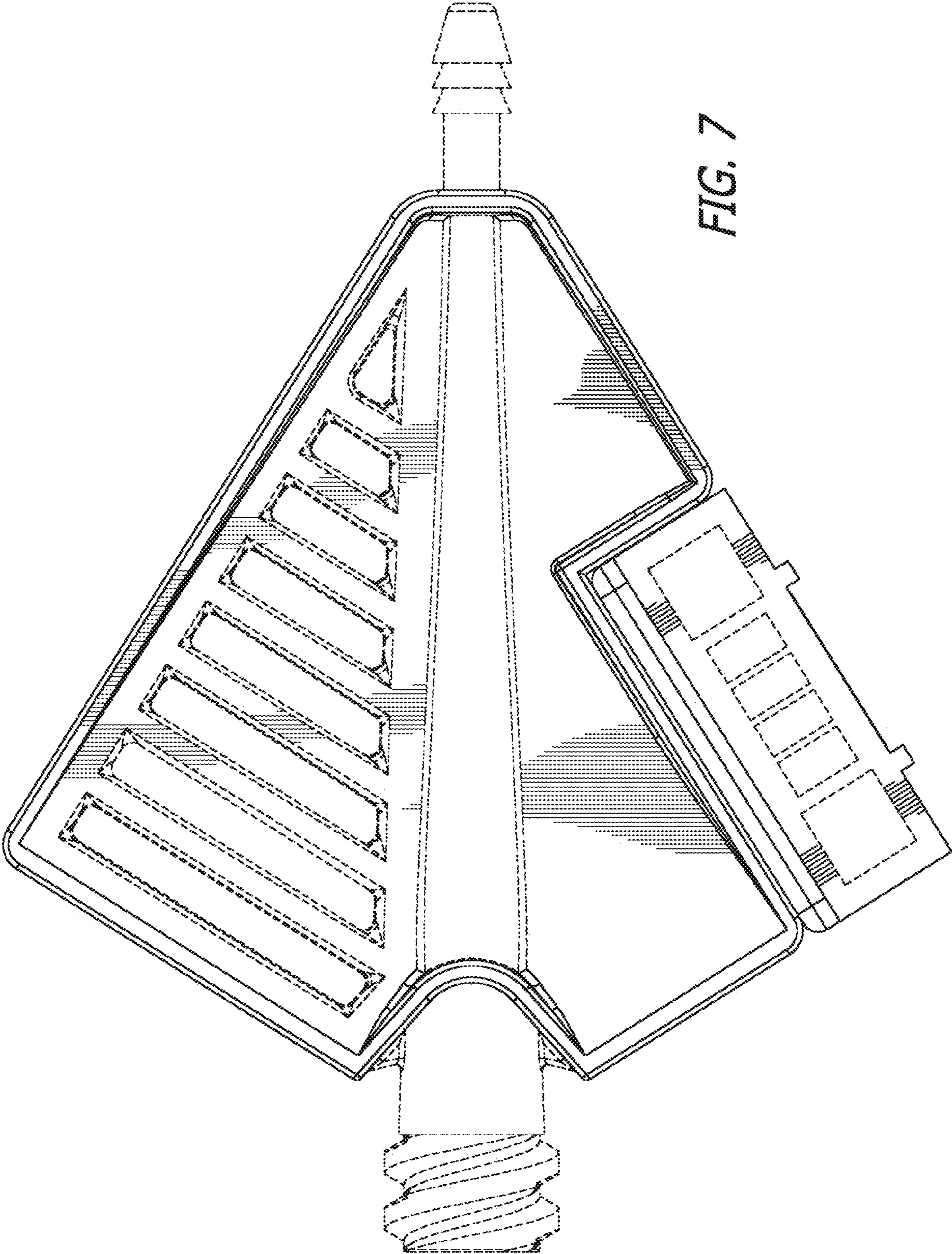


FIG. 7

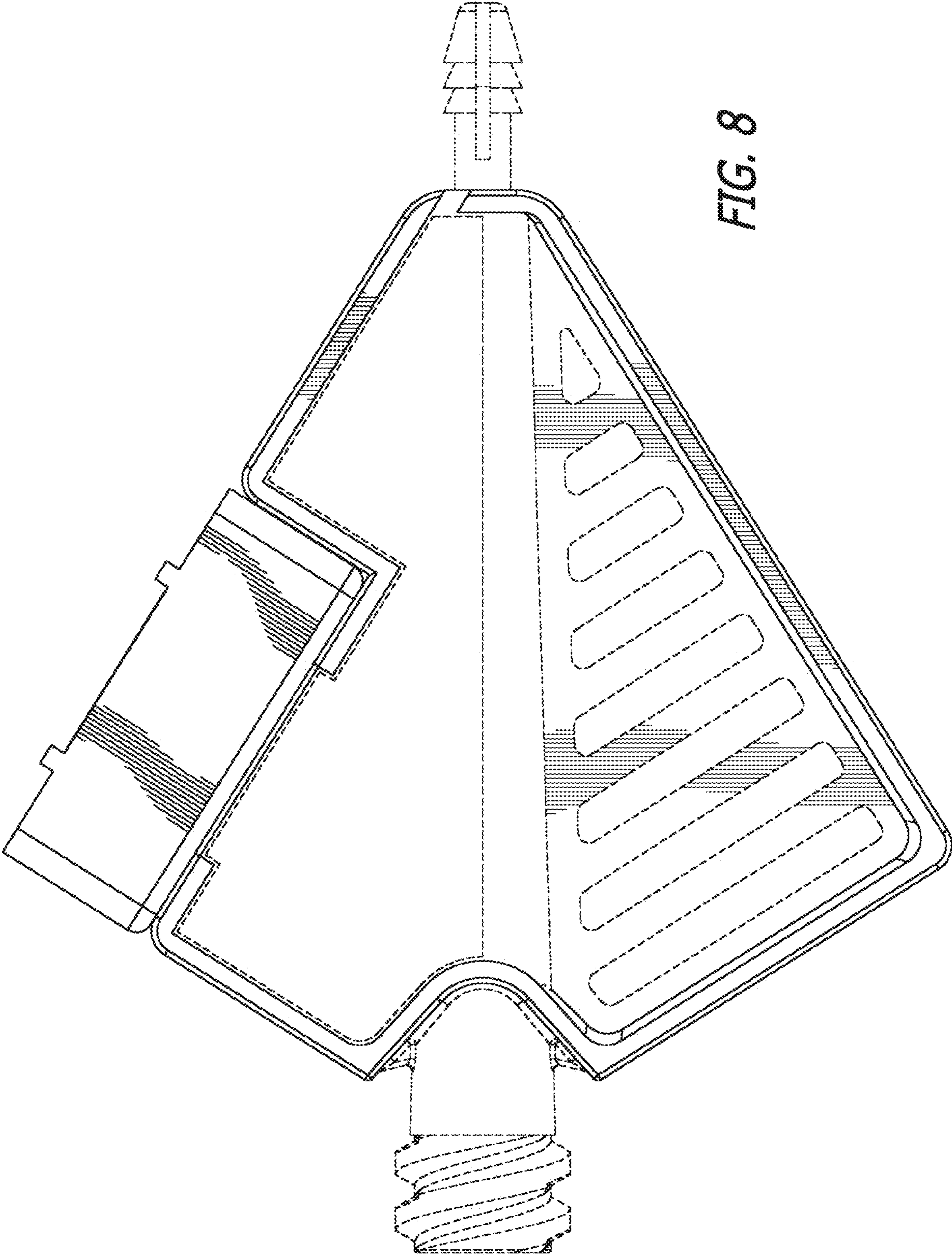


FIG. 8