

US00D969314S

(12) **United States Design Patent** (10) **Patent No.:** **US D969,314 S**  
**Caizza** (45) **Date of Patent:** **\*\* Nov. 8, 2022**

(54) **BLOOD COLLECTION SAFETY NEEDLE**

(71) Applicant: **Expressions Design Studio, LLC**,  
Union City, NJ (US)

(72) Inventor: **Richard Caizza**, Union City, NJ (US)

(73) Assignee: **Expressions Design Studio, LLC**,  
Union City, NJ (US)

(\*\*) Term: **15 Years**

(21) Appl. No.: **29/761,941**

(22) Filed: **Dec. 14, 2020**

(51) **LOC (13) Cl.** ..... **24-02**

(52) **U.S. Cl.**  
USPC ..... **D24/130; D24/113**

(58) **Field of Classification Search**  
USPC ..... D24/112-114, 133, 186, 129-130, 127,  
D24/108  
CPC ..... A61M 5/3216; A61M 5/3129; A61M  
5/3293; A61M 5/348; A61M 5/5066  
See application file for complete search history.

(56) **References Cited**

**U.S. PATENT DOCUMENTS**

4,982,842	A	1/1991	Hollister	
5,232,455	A	8/1993	Hollister	
5,599,313	A	2/1997	Gyure et al.	
5,669,889	A	9/1997	Gyure et al.	
5,807,351	A	9/1998	Kashmer	
6,582,397	B2	6/2003	Alesi et al.	
D476,733	S *	7/2003	Swenson	D24/112
6,719,737	B2	4/2004	Kobayashi	
D496,457	S *	9/2004	Prais	D24/114
7,220,249	B2	5/2007	Hwang et al.	
7,250,038	B2	7/2007	Simpson et al.	
D561,898	S *	2/2008	Goto	A61B 17/3211 D24/146
7,537,581	B2	5/2009	Hwang	
D601,695	S *	10/2009	Crawford	D24/113
D604,840	S *	11/2009	Crawford	D24/130

7,648,480	B2	1/2010	Bosel et al.	
D611,139	S *	3/2010	Crawford	D24/113
D613,398	S *	4/2010	Crawford	D24/130
7,722,572	B2	5/2010	Sprinkle et al.	
D627,060	S *	11/2010	Crawford	D24/113

(Continued)

**FOREIGN PATENT DOCUMENTS**

EM 008453807-0001 \* 5/2021

**OTHER PUBLICATIONS**

Dynarex SecureSafe Safety Hypodermic Needles, Dynarex, The EMS store, [Post date unknown], [Site seen Jun. 22, 2022], Seen at URL: [https://www.theemsstore.com/Dynarex-SecureSafe-Safety-Hypodermic-Needle\\_37?&utm\\_source=googlebase&utm\\_medium=cpc&utm\\_campaign=go%E2%80%A6](https://www.theemsstore.com/Dynarex-SecureSafe-Safety-Hypodermic-Needle_37?&utm_source=googlebase&utm_medium=cpc&utm_campaign=go%E2%80%A6) (Year: 2022).\*

(Continued)

*Primary Examiner* — Natasha Vujcic  
*Assistant Examiner* — Gilbert B Ford  
(74) *Attorney, Agent, or Firm* — Budzyn IP Law, LLC

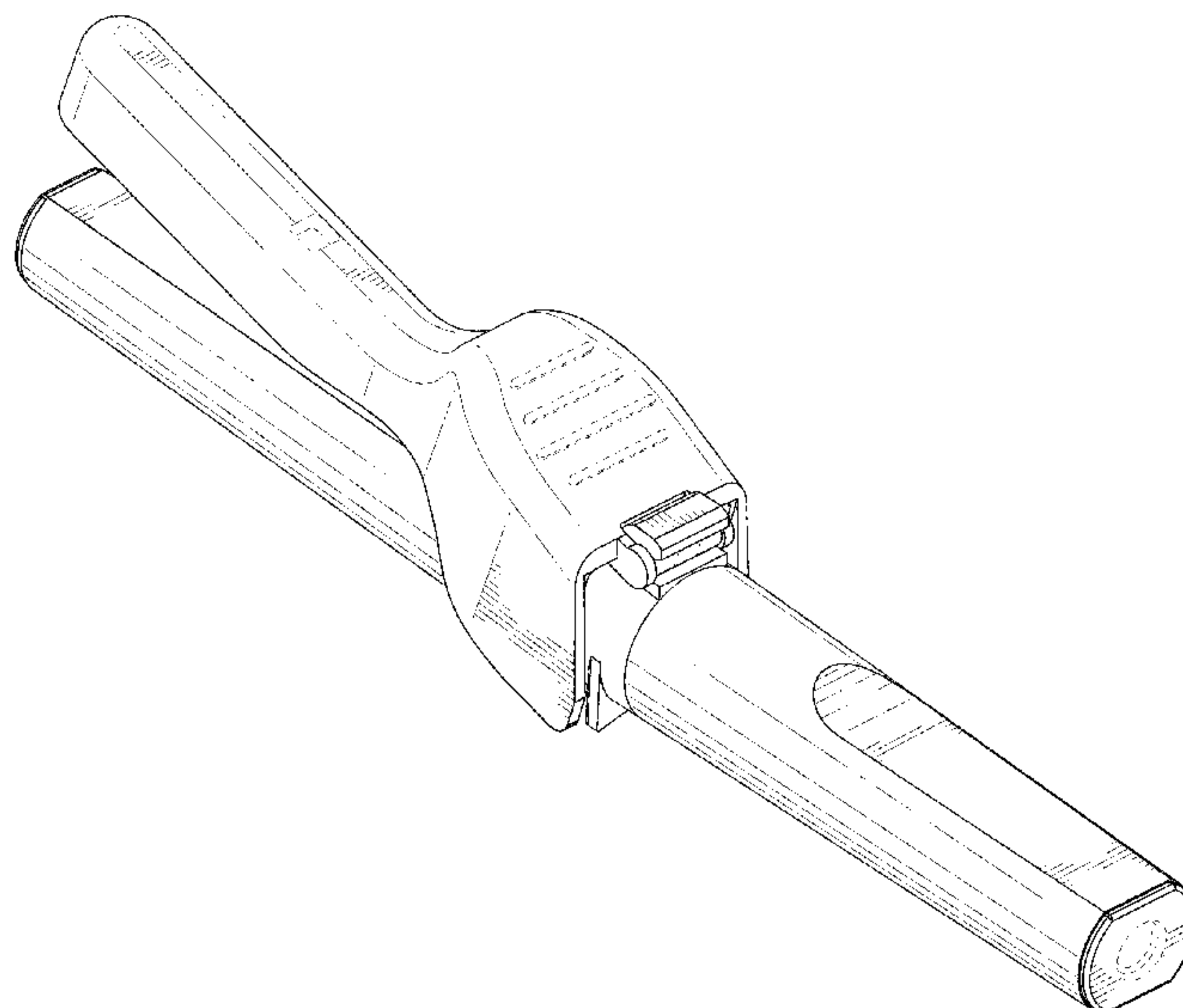
(57) **CLAIM**

The ornamental design for a blood collection safety needle, as shown and described.

**DESCRIPTION**

FIG. 1 is a perspective view of a blood collection safety needle;  
FIG. 2 is a front elevation view thereof;  
FIG. 3 is a rear elevation view thereof;  
FIG. 4 is a right side elevation view thereof;  
FIG. 5 is a left side elevational view thereof;  
FIG. 6 is a top plan view thereof; and,  
FIG. 7 is a bottom plan view thereof.  
The broken lines in the figures illustrate portions of the blood collection safety needle which form no part of the claimed design.

**1 Claim, 4 Drawing Sheets**



(56)

References Cited

U.S. PATENT DOCUMENTS

7,854,723 B2 12/2010 Hwang et al.  
 7,967,794 B2 6/2011 Bosel et al.  
 8,226,604 B2 7/2012 Madin et al.  
 8,414,560 B2 4/2013 Bush et al.  
 8,622,960 B2 1/2014 Madin et al.  
 D736,917 S \* 8/2015 Katsura ..... D24/108  
 D736,923 S \* 8/2015 Snow ..... D24/146  
 D844,774 S \* 4/2019 Akcay ..... A61M 5/422  
 D24/112  
 D928,319 S \* 8/2021 Deck ..... D24/145  
 D933,820 S \* 10/2021 Ota ..... D24/133  
 11,207,469 B1 \* 12/2021 Caizza ..... A61M 5/348  
 D940,319 S \* 1/2022 Deck ..... D24/145  
 2002/0072715 A1 6/2002 Newby et al.  
 2002/0151852 A1 \* 10/2002 Crawford ..... A61B 5/15003  
 128/919  
 2005/0124944 A1 6/2005 Hwang  
 2013/0331793 A1 \* 12/2013 Gonzales ..... A61M 5/3219  
 604/192  
 2019/0298933 A1 \* 10/2019 Sakamoto ..... A61M 5/32

OTHER PUBLICATIONS

Cardinal Health Monoject™ Hypodermic Safety Syringes, Cardinal Health, Youtube, [Post date Jan. 18, 2022], [Site seen Jun. 22, 2022], Seen at URL: <https://www.youtube.com/watch?v=hUIIVXChGXM> (Year: 2022).\*

BD Safety Blood Collection Needle Needle Without Tubing, BD, Medical Total Solutions, [Post date unknown], [Site seen Jun. 22, 2022], Seen at URL: <https://www.mtshs.com/bd-safety-blood-collection-needle-needle-without-tubing.html> (Year: 2022).\*

Hypodermic Needle-Pro® Edge™ Safety Device, ICU Medical, [Post date unknown], [Site seen Jun. 22, 2022], Seen at URL: <https://www.smiths-medical.com/products/sharps-safety/hypodermic-injections/hypodermic-needlepro-edge-safety-device> (Year: 2022).\*

B. Braun Sterican Safety Needle, single-use safety needle with safety protection, B. Braun, Mar. 2018.

BD Eclipse Needle, How to Use the BD Eclipse Needle for Luer Lock Syringes, BD Medical, 2013.

Easy Touch, Safety Syringe Product Catalog, MHC Medical Products LLC, (undated).

Hypodermic Needle-Pro, Needle Protection Device for Injection 18-25G, B. Braun Medical LLC, (undated).

KSC Needlestick Injury Prevention, Instructions For Use, Star Syringe Ltd., (undated).

Medline; Fliplock Safety Needles by MHC Medical; Needle, Safety, 19GX1, Fliplock; Aug. 7, 2017.

Medline, How to Use the Safety Syringe with Flip Technology, Medline Industries Inc., 2017.

Needle-Pro Edge, Manual Safety Needle and Syringe Devices, Cardinal Health Safety Needle and Syringe Devices, Cardinal Health, 2014.

Prevent HT, Safety Needles, McKesson medical-Surgical Inc., 2016.

Sol-Care Safety Needles and Safety Needle Combinations, Sol-Millennium, Jul. 21, 2016.

Sol-Millennium, Building a Healthier Tomorrow Product Catalog, Sol-Millennium Medical Ltd., (undated).

Surguard3 Safety Hypodermic Needle: Instructions for Use, Terumo Corporation, 2015.

Surguard3 Safety Hypodermic Needle, We make Some Great Points, Terumo Corporation, 2016.

Terumo Product Catalog, Terumo Corporation, (undated).

\* cited by examiner

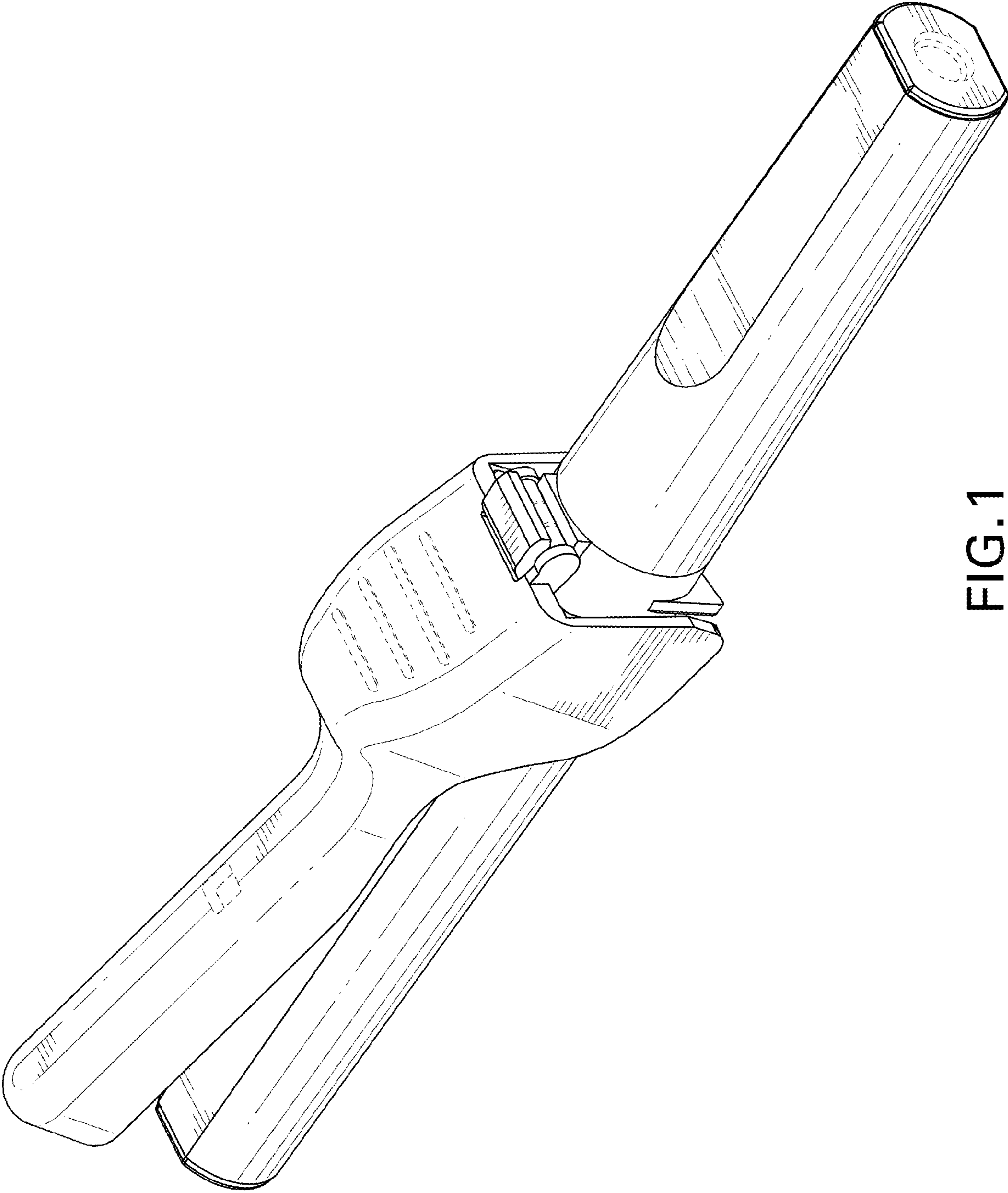


FIG. 1



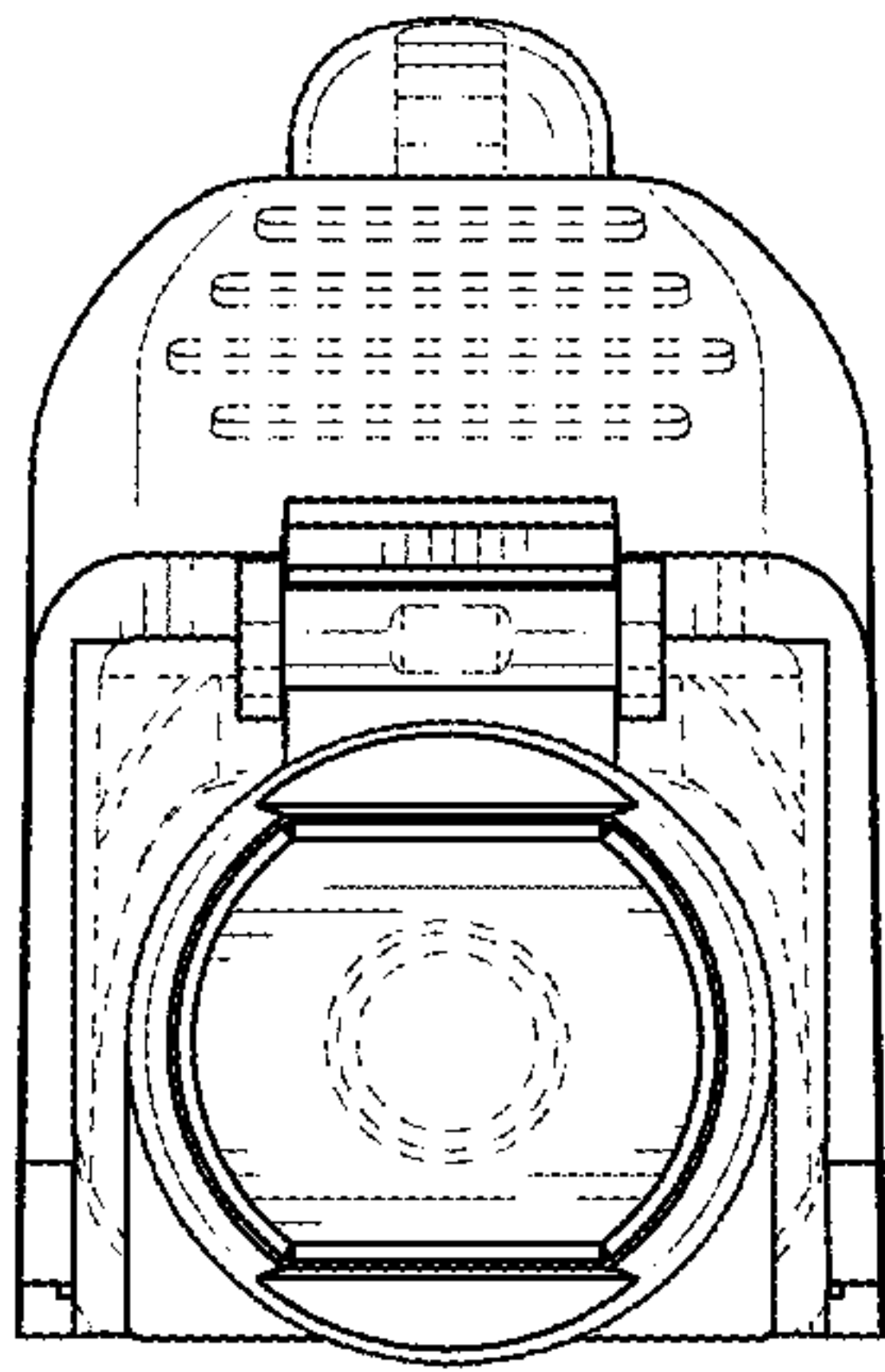


FIG. 2

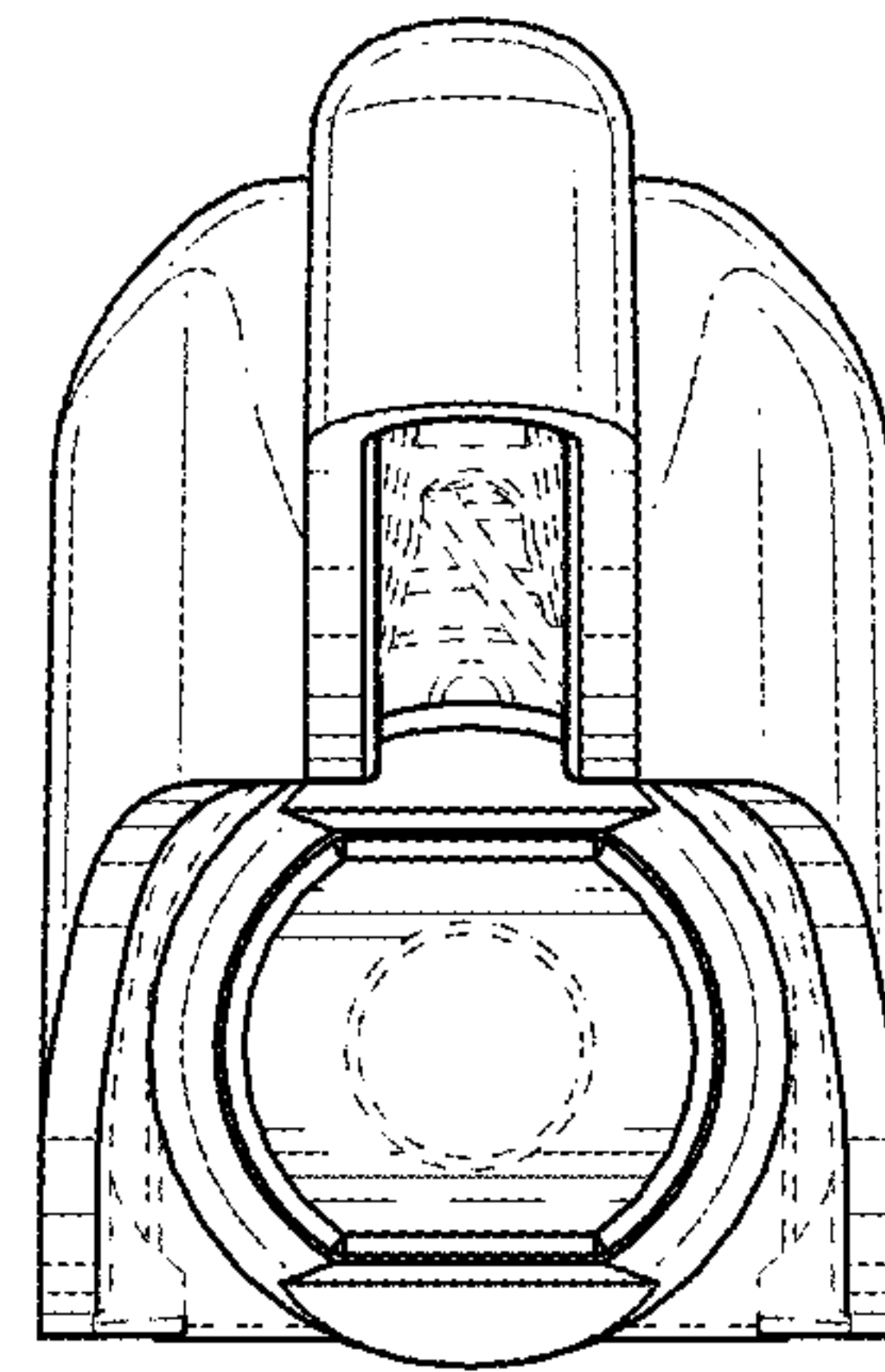


FIG. 3

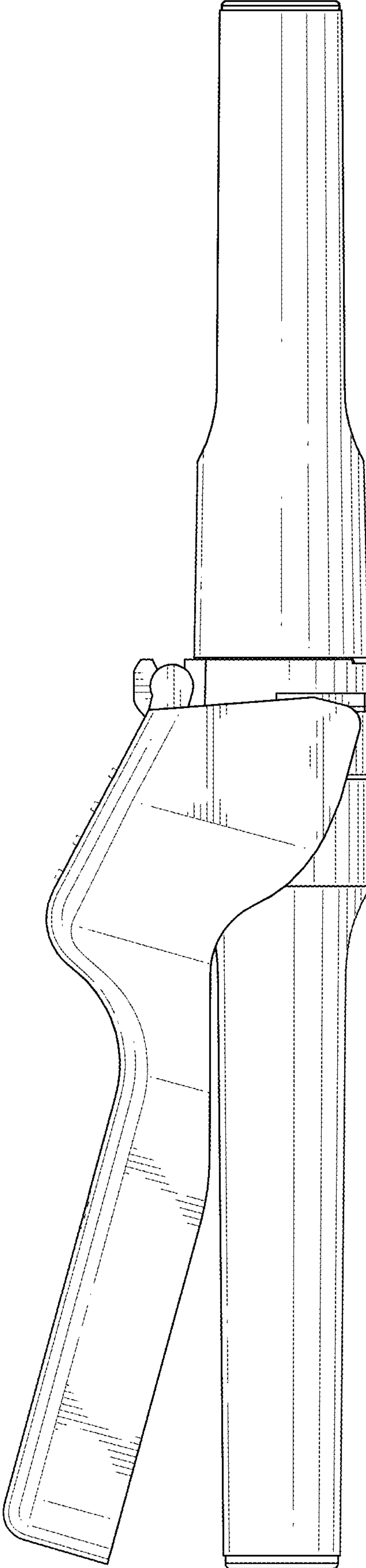


FIG. 4

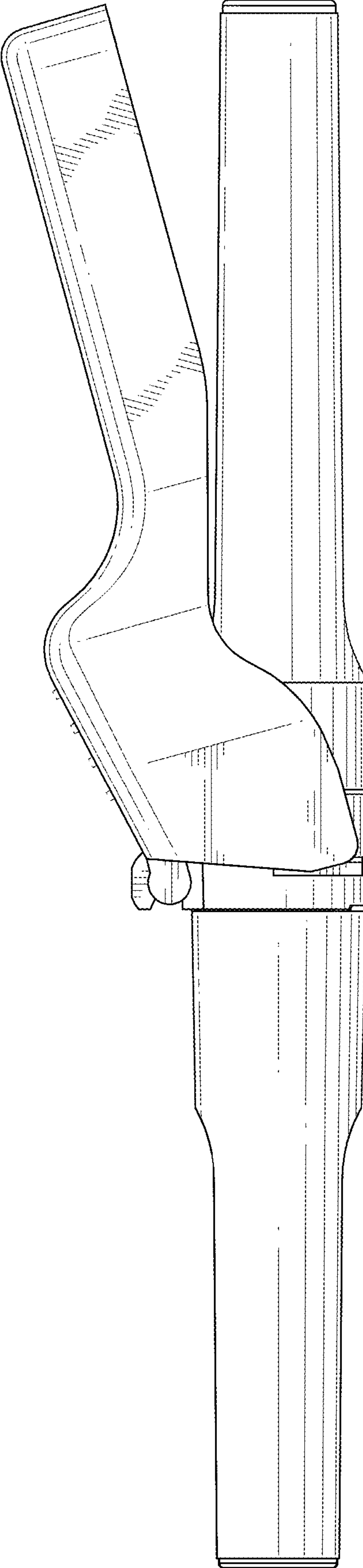


FIG. 5

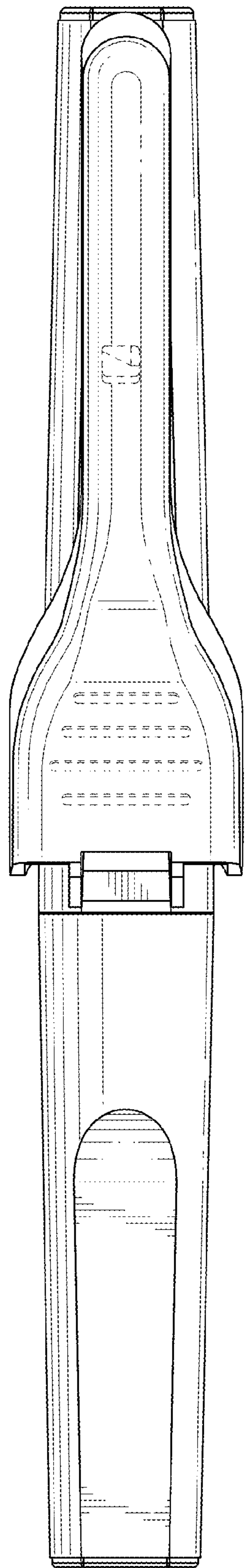


FIG. 6

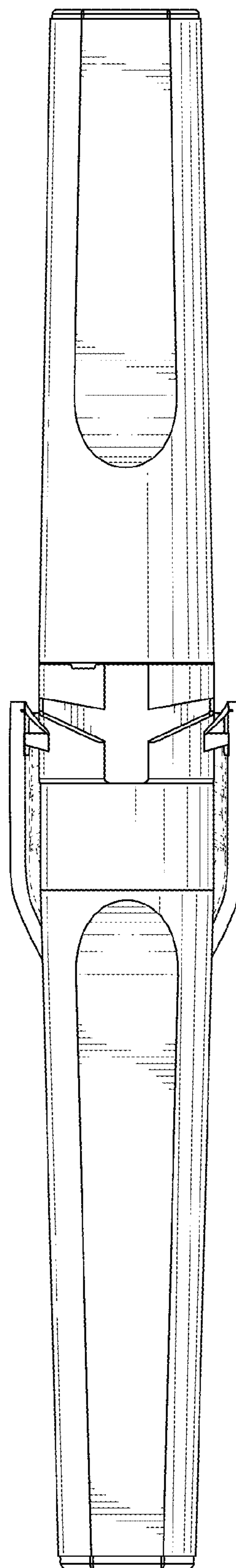


FIG. 7