

US00D969312S

(12) **United States Design Patent** (10) **Patent No.:** **US D969,312 S**
Daniel et al. (45) **Date of Patent:** **** Nov. 8, 2022**

(54) **TUBULAR HOLDER FOR A MEDICAL INJECTOR**

D833,603 S * 11/2018 Yang D24/114
D834,183 S * 11/2018 Yang D24/114
D877,897 S * 3/2020 Ouellette D24/127
D897,840 S * 10/2020 Ou D9/434

(Continued)

(71) Applicant: **SHL MEDICAL AG**, Zug (CH)

(72) Inventors: **Mattias Daniel**, Stockholm (SE); **Katja Wessel**, Stockholm (SE)

FOREIGN PATENT DOCUMENTS

(73) Assignee: **SHL MEDICAL AG**, Zug (CH)

RU 00091981 * 3/2015

(**) Term: **15 Years**

OTHER PUBLICATIONS

(21) Appl. No.: **29/761,147**

Carpject Holder, pfizer Injectables, Life-assist.com, [Postdate: Aug. 13, 2020], [Site seen Jul. 27, 2022], Seen at URL: <https://www.life-assist.com/products/details/2401/carpject-holder/> (Year: 2020).*

(22) Filed: **Dec. 7, 2020**

(Continued)

Related U.S. Application Data

(63) Continuation of application No. 15/480,820, filed on Apr. 6, 2017, now abandoned, which is a continuation of application No. 13/650,708, filed on Oct. 12, 2012, now Pat. No. 9,662,452, which is a continuation of application No. 13/636,241, filed as application No. PCT/SE2011/050326 on Mar. 23, 2011, now Pat. No. 9,199,038.

Primary Examiner — Natasha Vujcic
Assistant Examiner — Gilbert B Ford
(74) *Attorney, Agent, or Firm* — McDonnell Boehnen Hulbert & Berghoff LLP

(51) **LOC (13) Cl.** **24-02**

(52) **U.S. Cl.**
USPC **D24/128; D24/113**

(58) **Field of Classification Search**
USPC D24/127-131, 112-114, 133, 186, 231
CPC .. A61M 25/00; A61M 25/0612; A61M 39/00;
A61M 25/0043; A61M 25/0067
See application file for complete search history.

(57) **CLAIM**

We claim, the ornamental design for a tubular holder for a medical injector, as shown and described.

DESCRIPTION

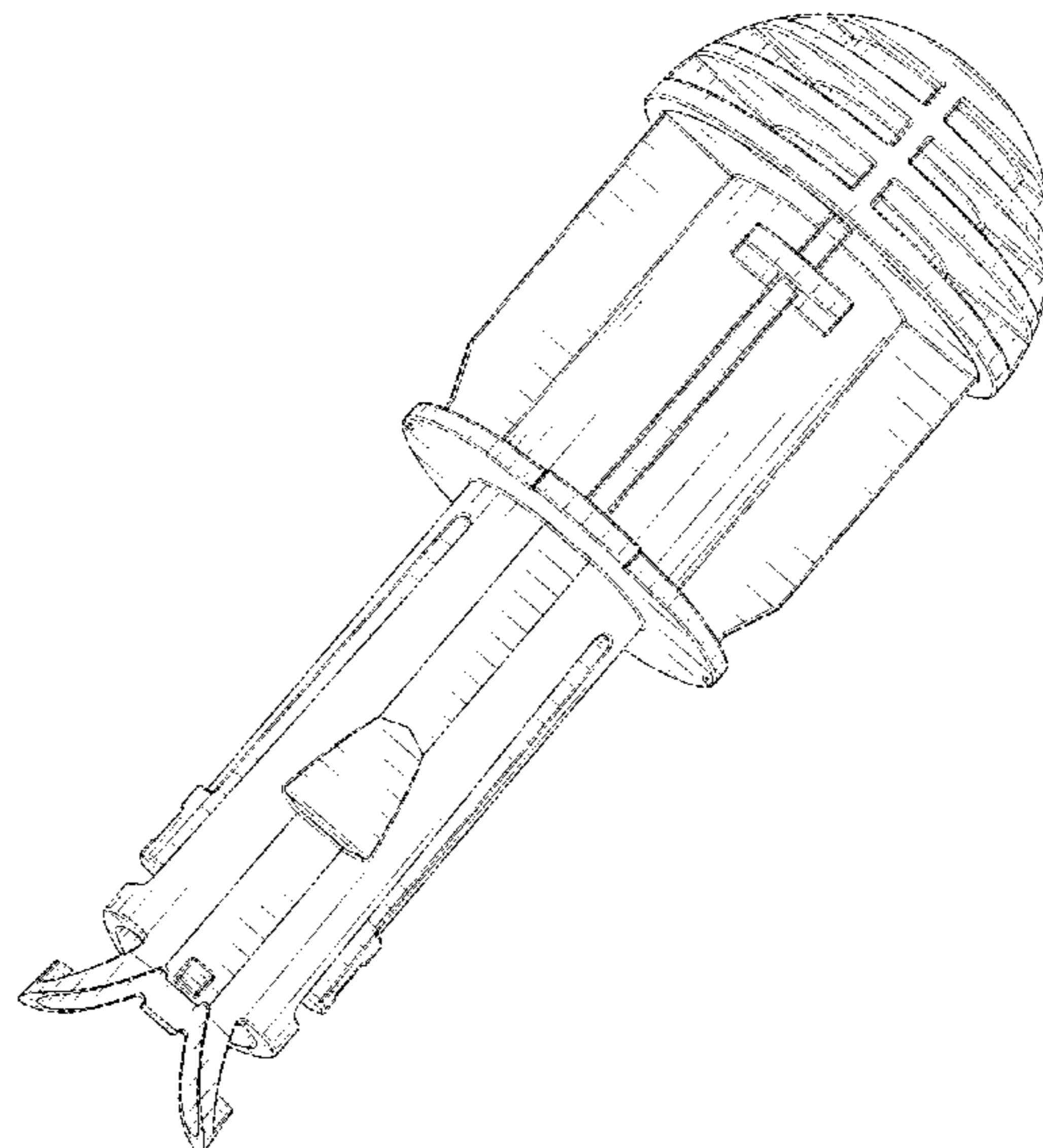
FIG. 1 is a top right perspective view of a tubular holder for a medical injector;
FIG. 2 is a bottom left perspective view thereof;
FIG. 3 is a right-side perspective view thereof;
FIG. 4 is a left-side perspective view thereof;
FIG. 5 is a left-side elevation view thereof, the right-side elevation view being a mirror image thereto;
FIG. 6 is a top elevation view thereof, the bottom elevation view being a mirror image thereto;
FIG. 7 is a top plan view thereof; and,
FIG. 8 is a bottom plan view thereof.

(56) **References Cited**

U.S. PATENT DOCUMENTS

D493,527 S * 7/2004 Szabo D24/133
D677,381 S * 3/2013 Stones D24/113
D690,416 S * 9/2013 Cappello D24/112
D702,834 S * 4/2014 Norton D24/130
D771,250 S * 11/2016 Zhang D24/133
D800,528 S * 10/2017 Leibowitz D8/83

1 Claim, 7 Drawing Sheets



(56)

References Cited

U.S. PATENT DOCUMENTS

D915,584 S * 4/2021 Eisenkrein D24/130
D949,366 S * 4/2022 Li D24/211
2014/0343507 A1* 11/2014 Karlsson A61M 5/3202
604/198
2015/0065961 A1* 3/2015 Daniel A61M 5/3213
604/198
2018/0104414 A1* 4/2018 Karlsson A61M 5/2033

OTHER PUBLICATIONS

SHL Auto Injectors, Pen Injectors and Inhaler Systems, SHL, Pharmaceutical-technology.com [Postdate: unknown], [Site seen Jul. 27, 2022], Seen at URL: <https://www.pharmaceutical-technology.com/contractors/drug-delivery/shl-group/> (Year: 2022).*

* cited by examiner

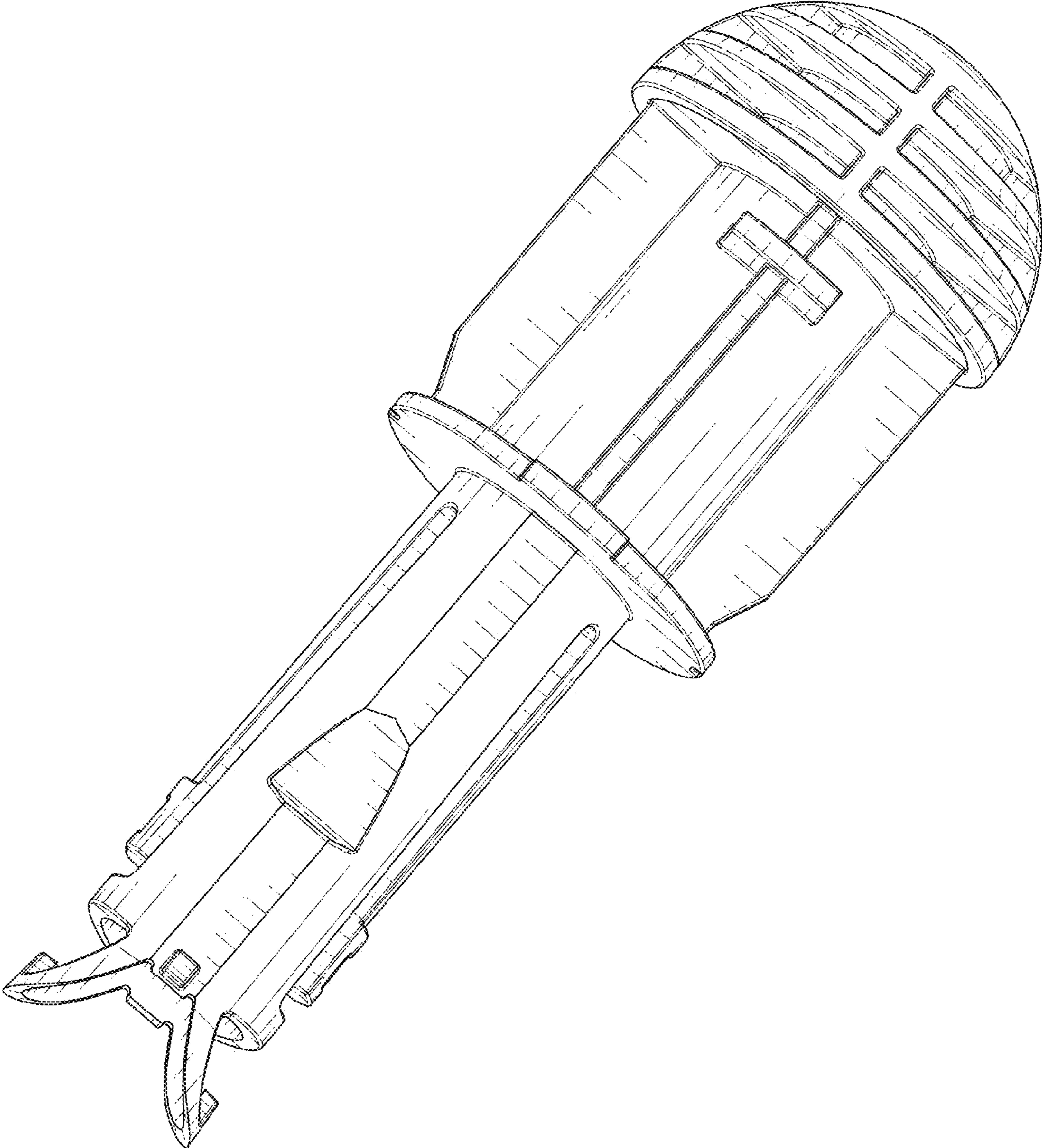


FIG. 1

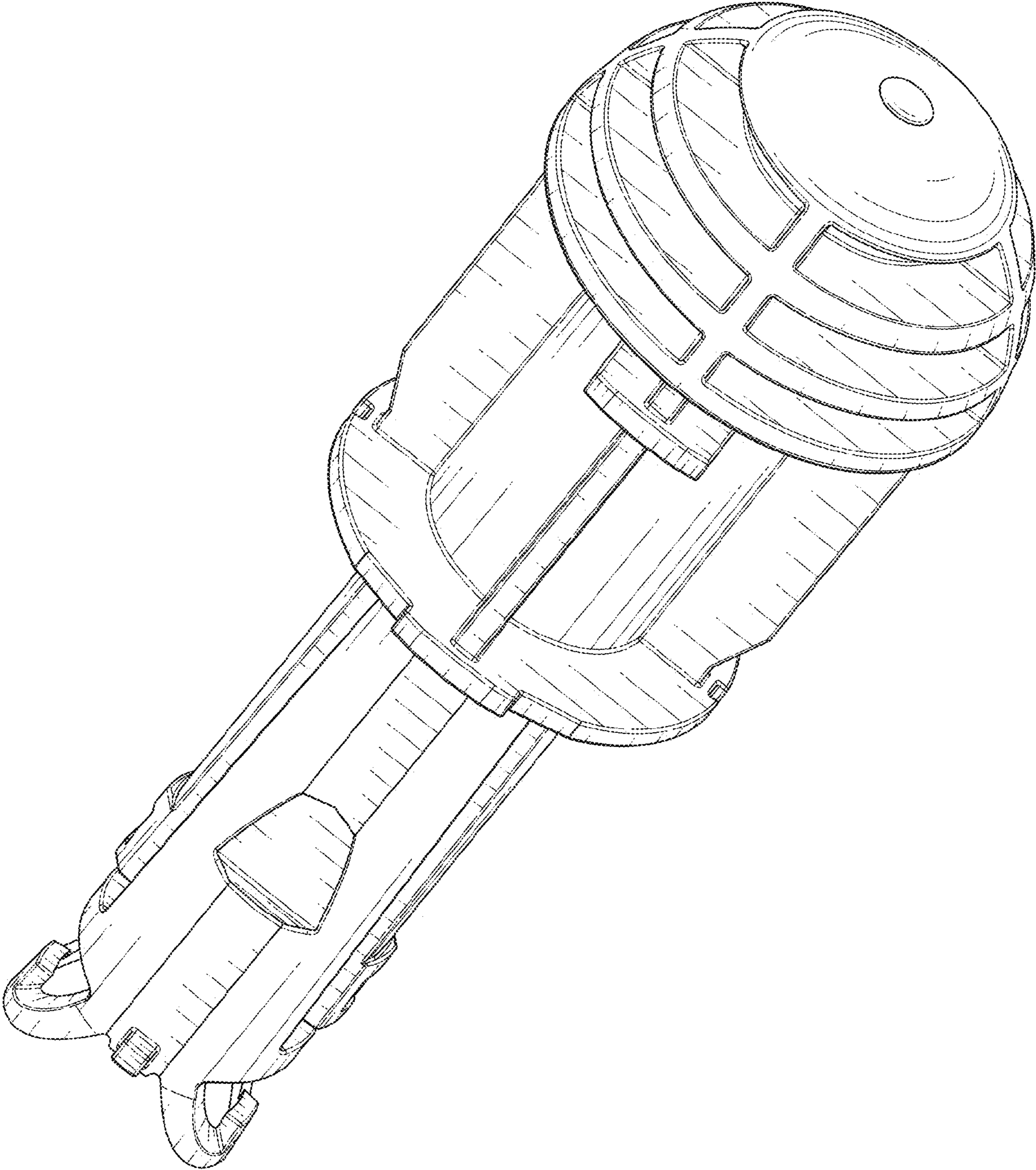


FIG. 2

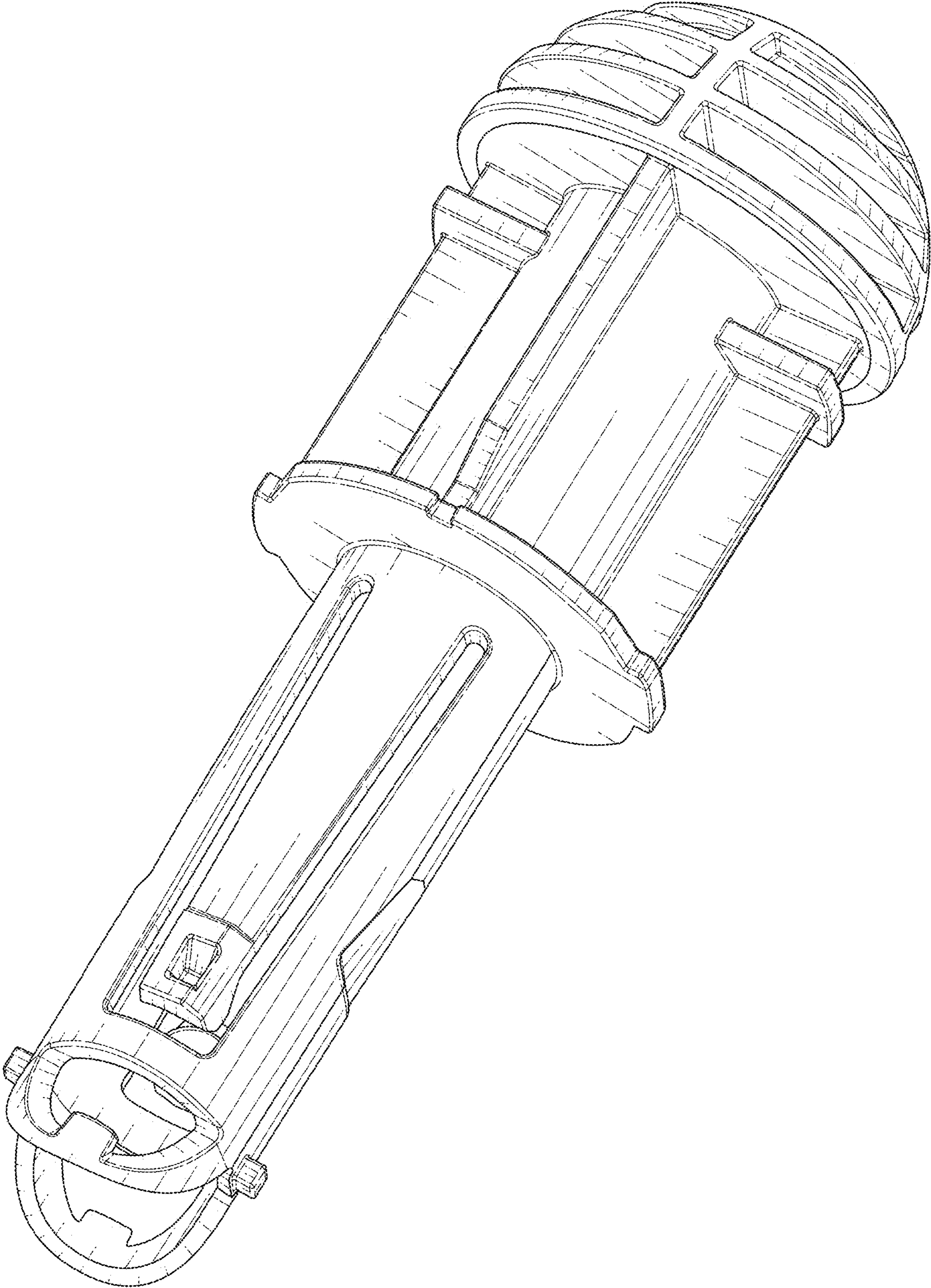


FIG. 3

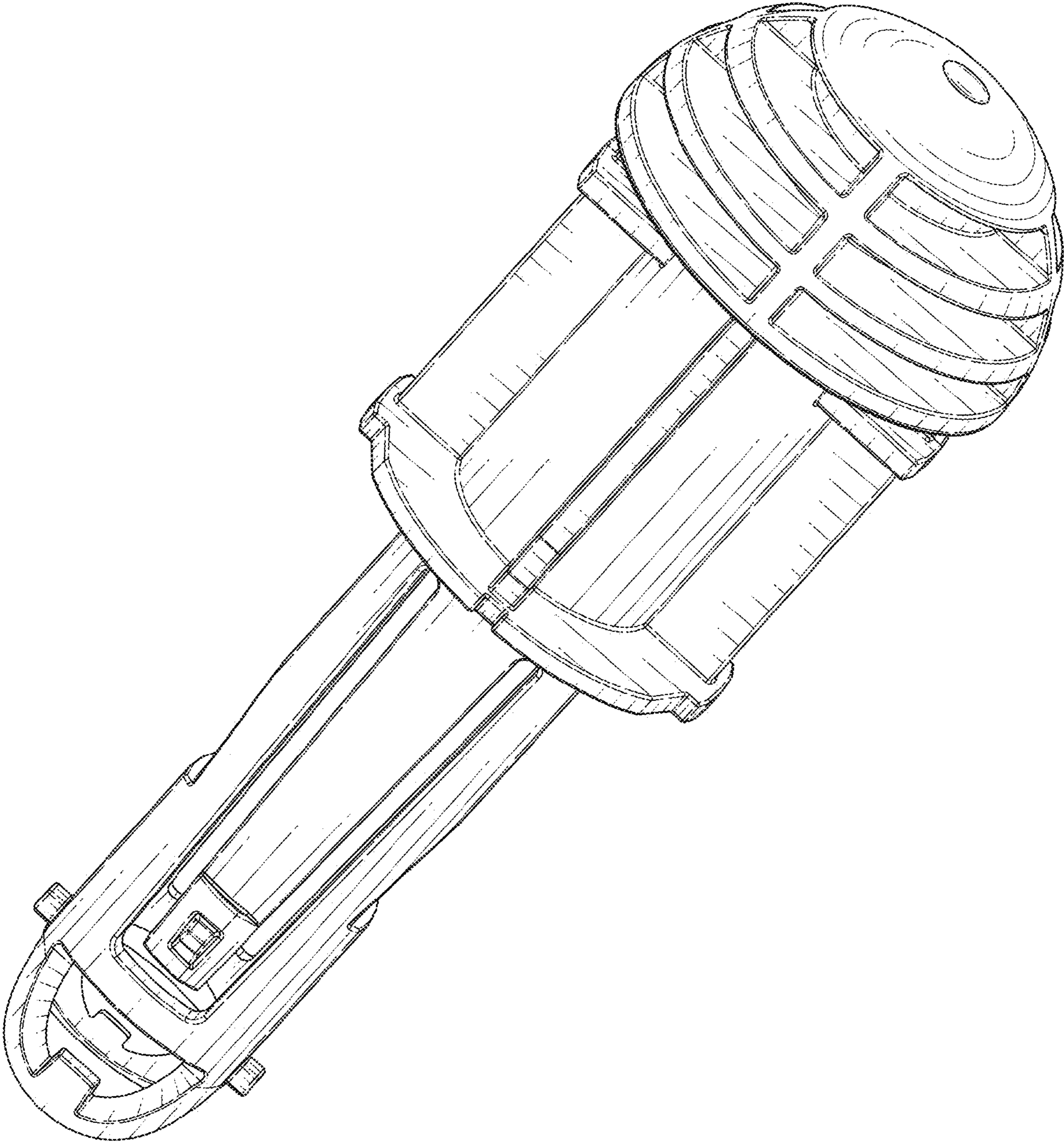


FIG. 4

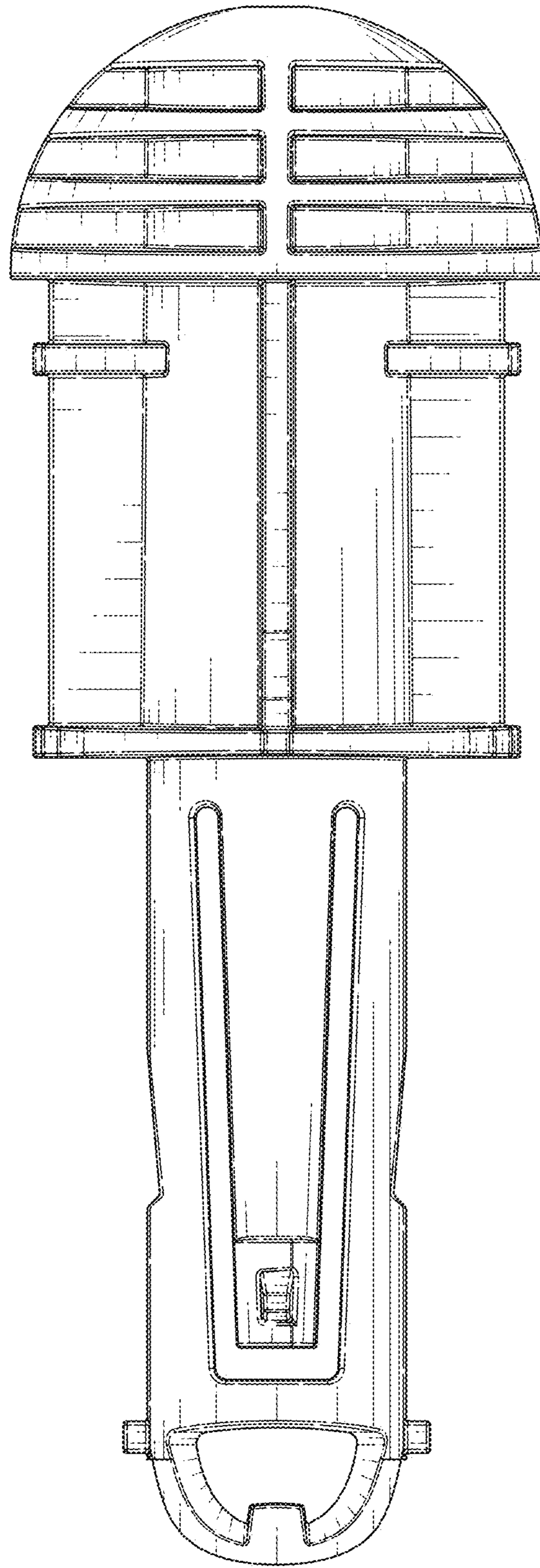


FIG. 5

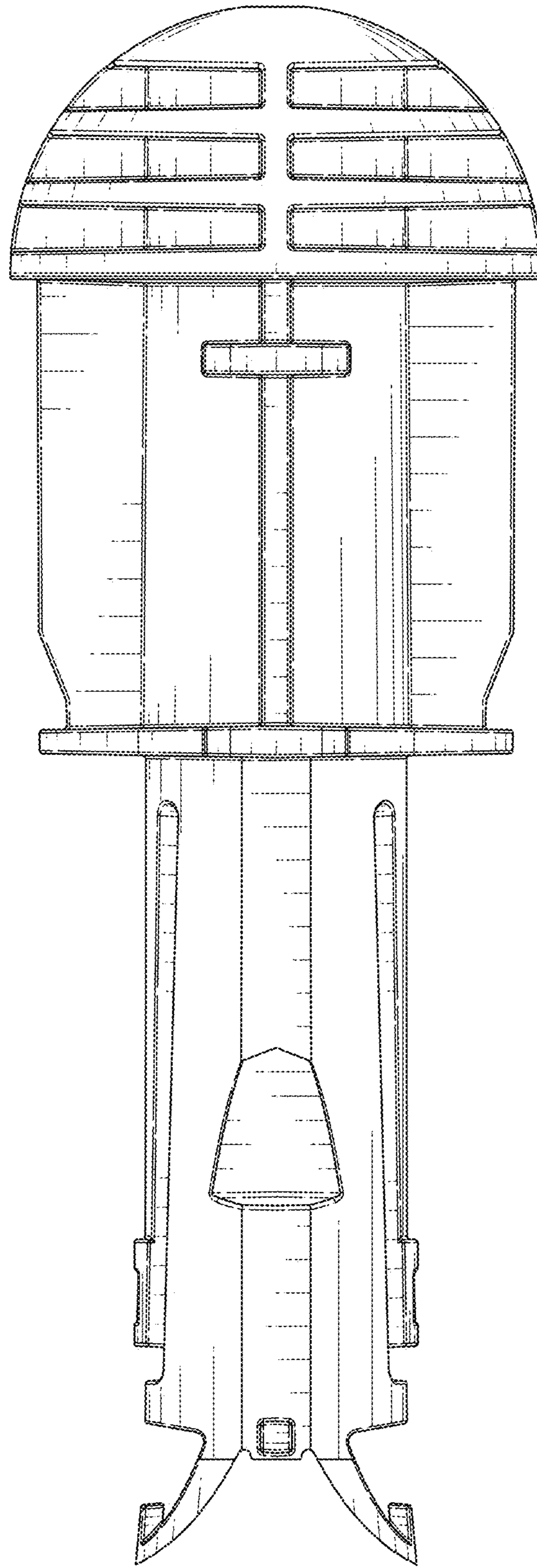


FIG. 6

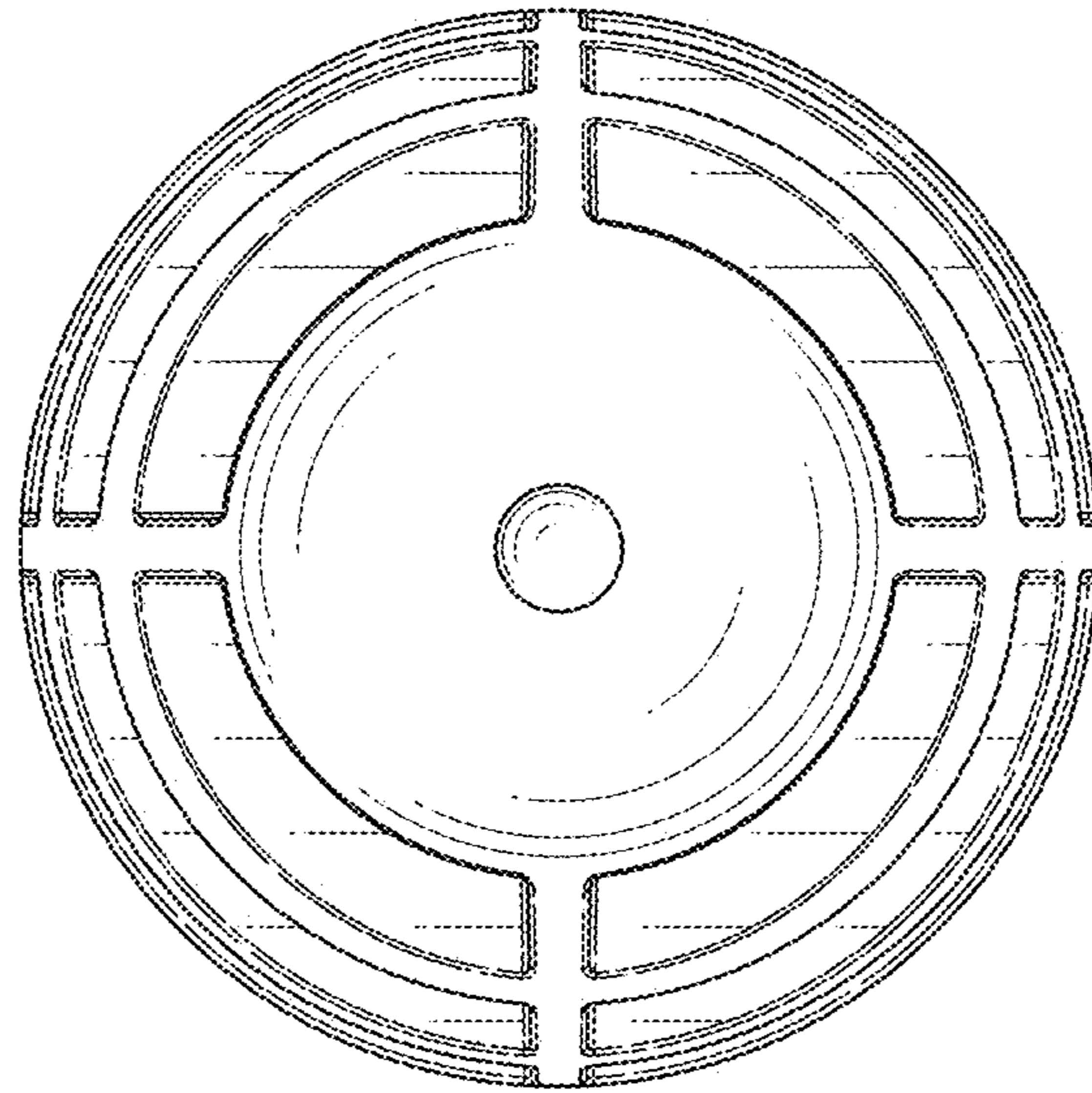


FIG. 7

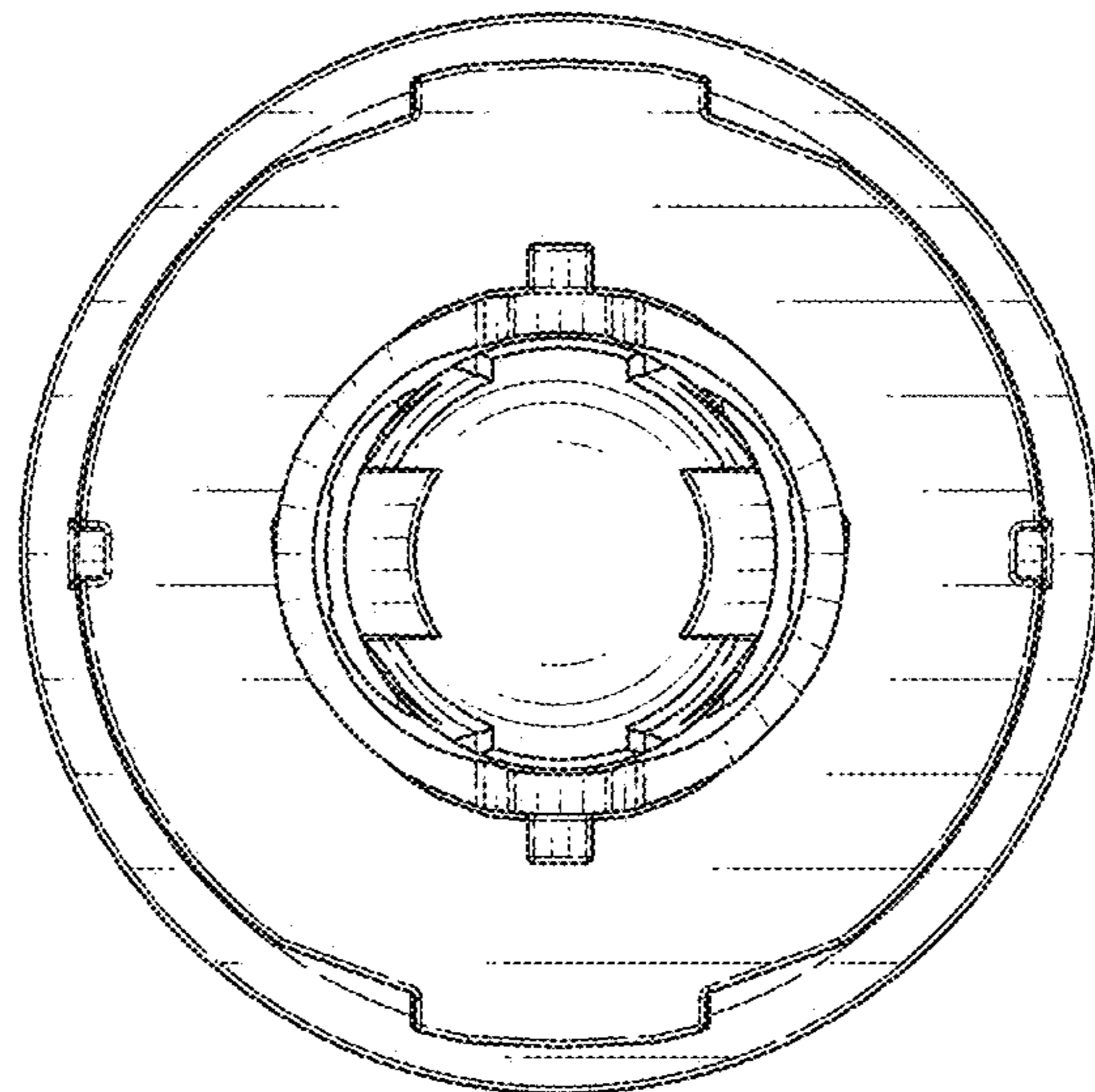


FIG. 8