



US00D969309S

(12) **United States Design Patent** (10) **Patent No.:** **US D969,309 S**
Hu (45) **Date of Patent:** **** Nov. 8, 2022**

(54) **FEMALE URINAL**

FOREIGN PATENT DOCUMENTS

(71) Applicant: **Shenzhen Xindezhong Electronic Technology Co., Ltd., Shenzhen (CN)**

CN 305377430 * 10/2019
CN 306197911 * 11/2020

(Continued)

(72) Inventor: **Shuying Hu, Shenzhen (CN)**

(**) Term: **15 Years**

OTHER PUBLICATIONS

(21) Appl. No.: **29/798,665**

Haotai Female Urinals Portable Device, Haotai, Amazon, [Post date: Jul. 8, 2021], [Site seen Sep. 1, 2022], Seen at URL: https://www.amazon.com/haotai-Portable-Reusable-Silicone-Essentials/dp/B098WRVH65/ref=sr_1_225 (Year: 2021).*

(22) Filed: **Jul. 9, 2021**

(Continued)

(51) **LOC (13) Cl.** **24-02**

(52) **U.S. Cl.**
USPC **D24/122**

(58) **Field of Classification Search**
USPC D24/117, 121, 122, 123, 127, 128, 224;
D7/691, 700; D9/523, 528, 572;
D23/200, 302, 303, 309, 295
CPC A61G 9/00; A61G 9/006; A61G 9/003
See application file for complete search history.

Primary Examiner — Natasha Vujcic
Assistant Examiner — Gilbert B Ford

(74) *Attorney, Agent, or Firm* — Rumit Ranjit Kanakia

(56) **References Cited**

(57) **CLAIM**

The ornamental design for a female urinal, as shown and described.

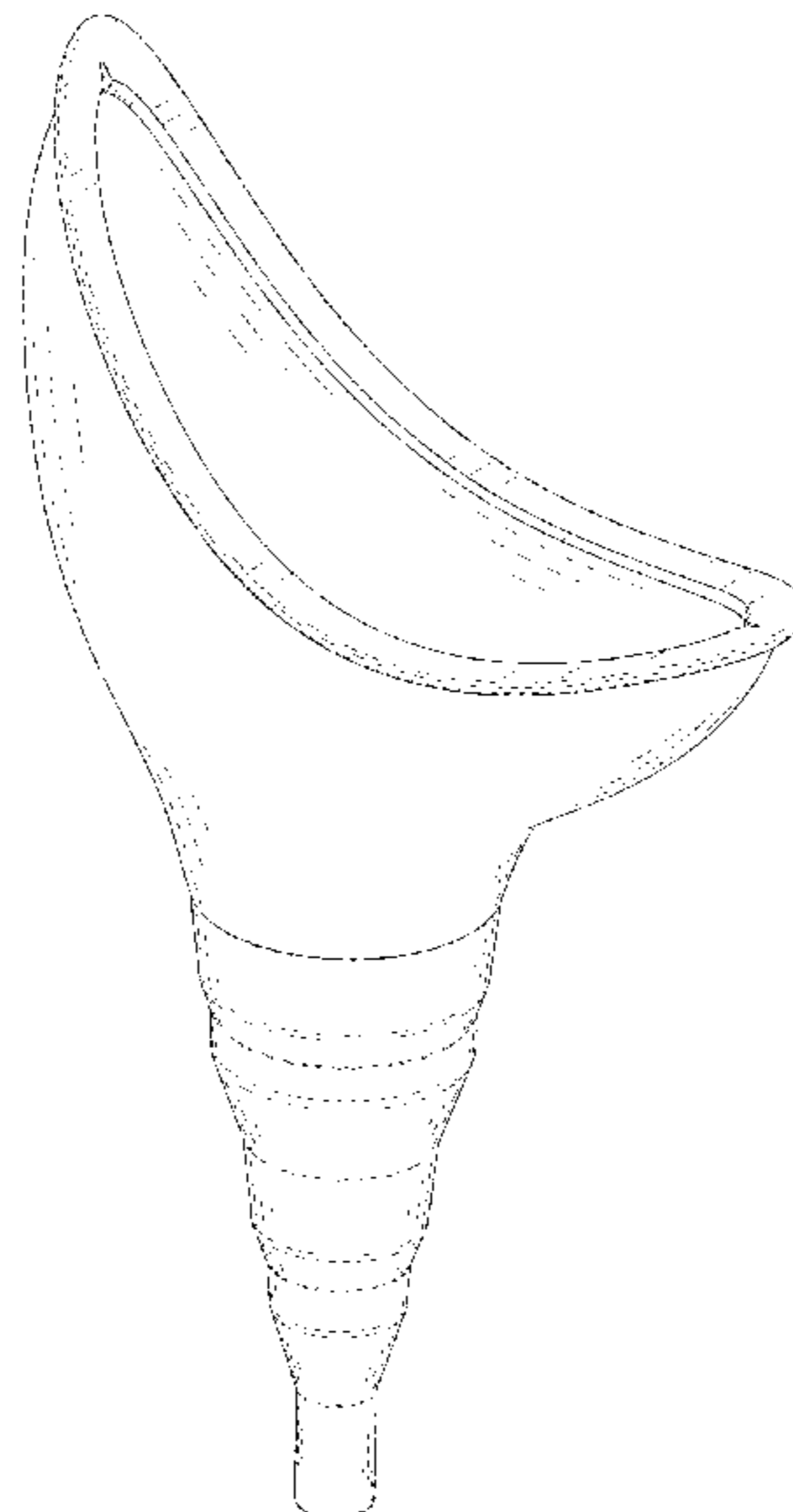
U.S. PATENT DOCUMENTS

DESCRIPTION

D379,225 S *	5/1997	Canahuate	4/144.4
D560,106 S *	1/2008	Curtin	D7/700
D567,038 S *	4/2008	Carallo	D7/700
D618,322 S *	6/2010	Keller	D7/700
D619,246 S *	7/2010	Hazeres	D24/122
D735,849 S *	8/2015	Rudolph	D24/122
D747,469 S *	1/2016	Jones	D24/122
D879,954 S *	3/2020	Adams, III	D24/122
D889,613 S *	7/2020	Lawinger	D23/302
D911,500 S *	2/2021	Panseri	E03D 1/00 D23/302
D951,406 S *	5/2022	Starck	D23/302
D953,496 S *	5/2022	Uceda	D23/302
D960,358 S *	8/2022	Wang	D24/122
2001/0032682 A1 *	10/2001	Woratyla	B67C 11/02 141/333
2009/0048569 A1 *	2/2009	Salehi	A61F 5/4556 604/347
2017/0239075 A1 *	8/2017	Khan	A61F 5/455

FIG. 1 is a front elevational view of a female urinal showing my new design;
FIG. 2 is a rear elevational view thereof;
FIG. 3 is a left side view thereof;
FIG. 4 is a right side view thereof;
FIG. 5 is a top plan view thereof;
FIG. 6 is a bottom plan view thereof;
FIG. 7 is a perspective view of a female urinal showing my new design; and,
FIG. 8 is another perspective view thereof.
The broken lines in the figures are for the purposes of illustrating portions of the female urinal, which form no part of the claimed design.

1 Claim, 8 Drawing Sheets



(56)

References Cited

FOREIGN PATENT DOCUMENTS

CN	306232310	* 12/2020
EM	008606891-0001	* 7/2021

OTHER PUBLICATIONS

Hakday Urinal for Women, 4PCS Female Urinal Pee Funnel Portable Urination, Hakday, Amazon, [Post date: Jan. 28, 2016], [Site seen Sep. 1, 2022], Seen at URL: <https://www.amazon.com/HAKDAY-Urinal-Portable-Urination-Camping/dp/B01B1EPY8Q?th=1> (Year: 2016).*

* cited by examiner

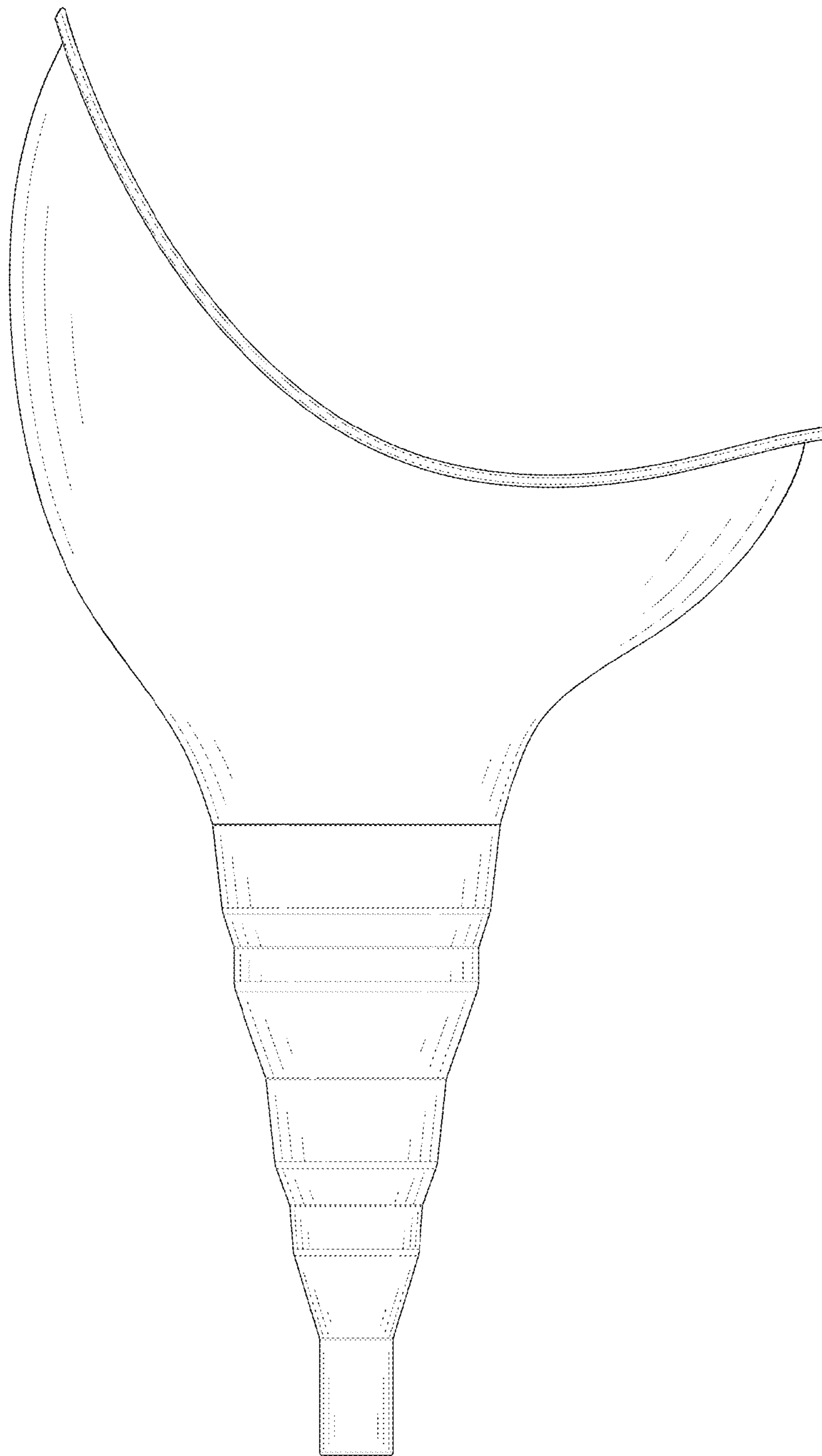


FIG. 1

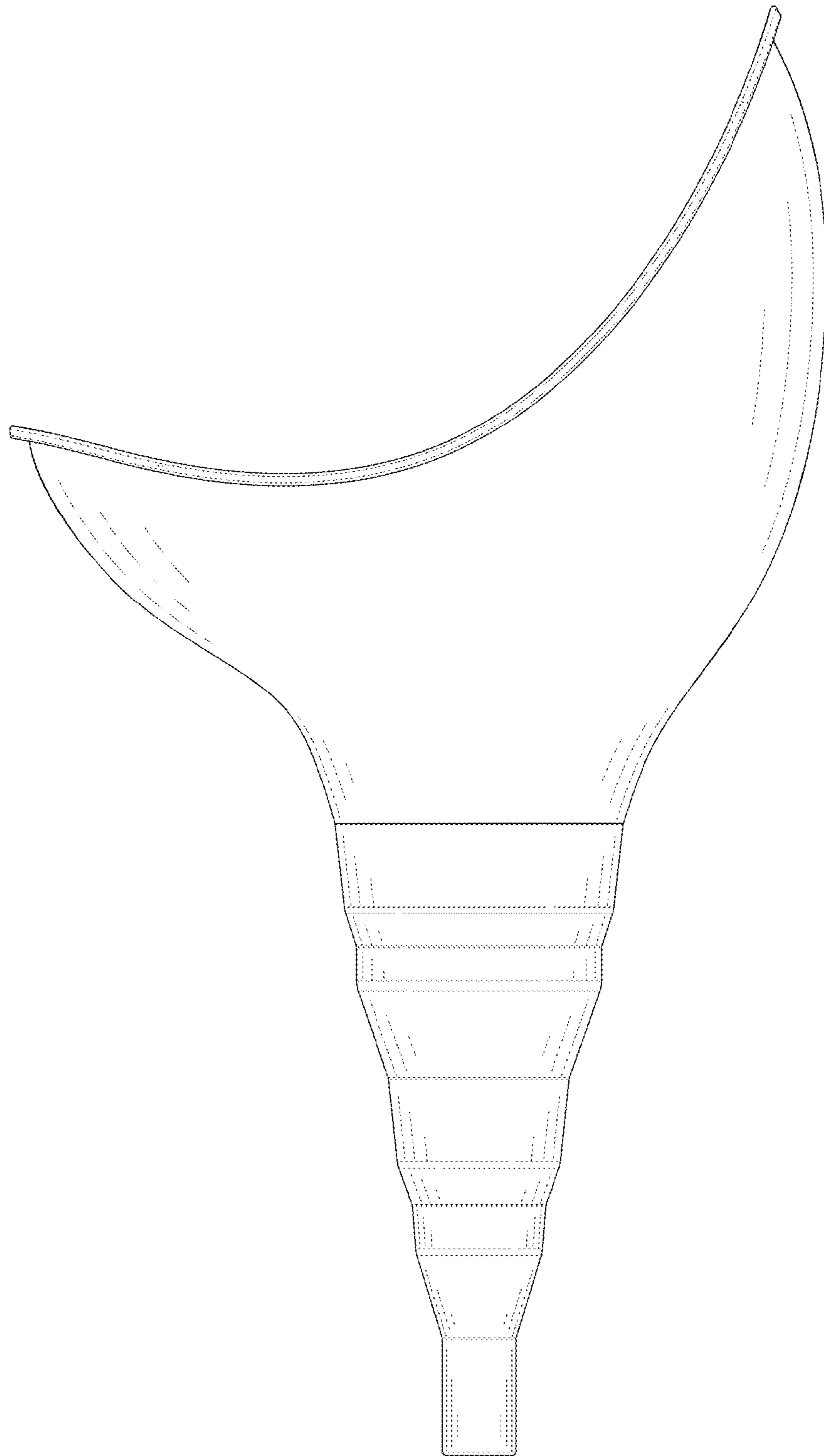


FIG. 2

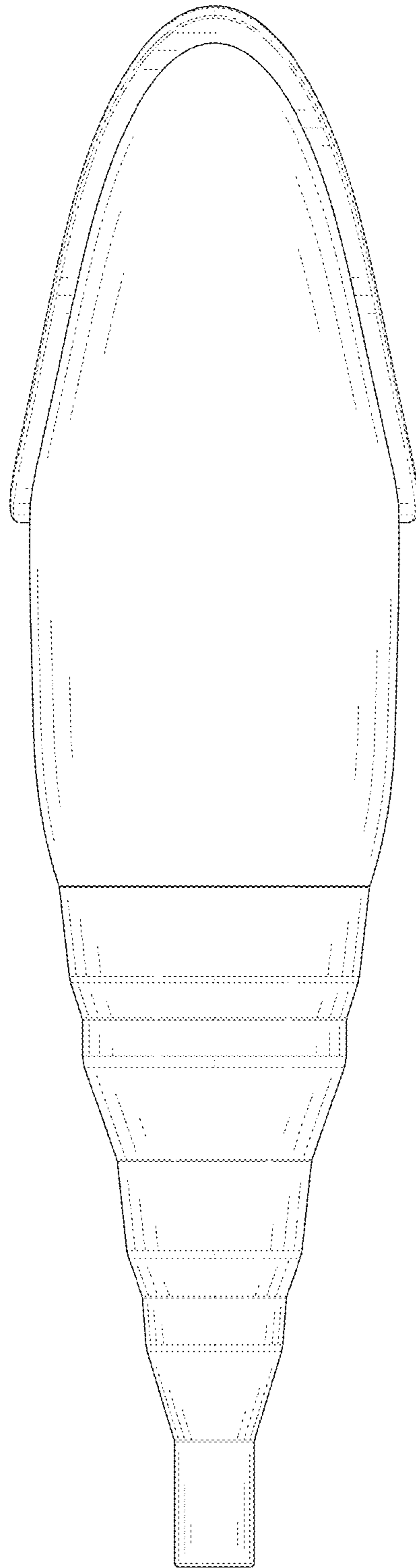


FIG. 3

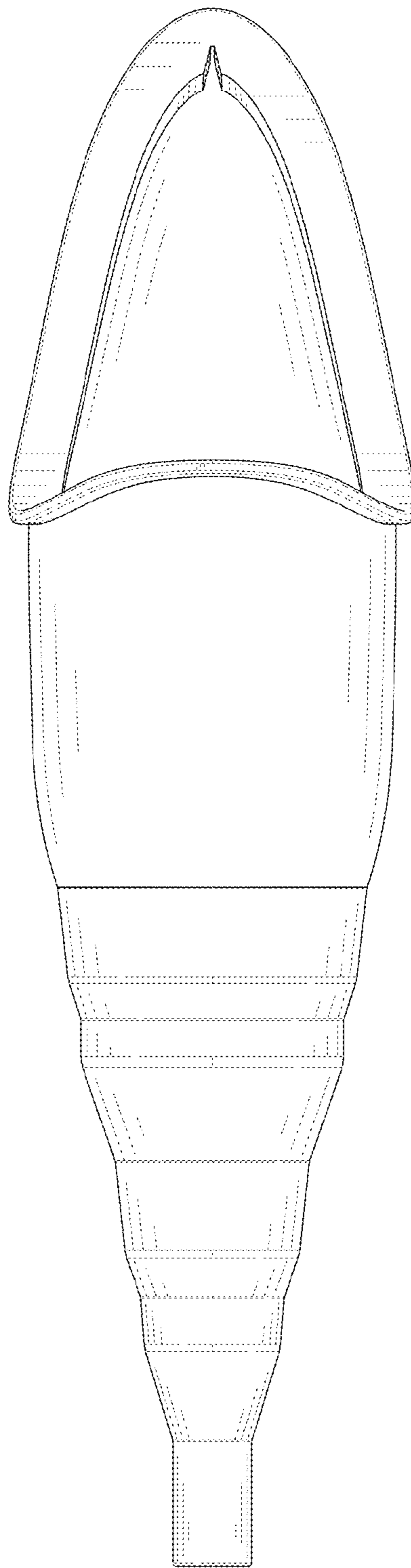


FIG. 4

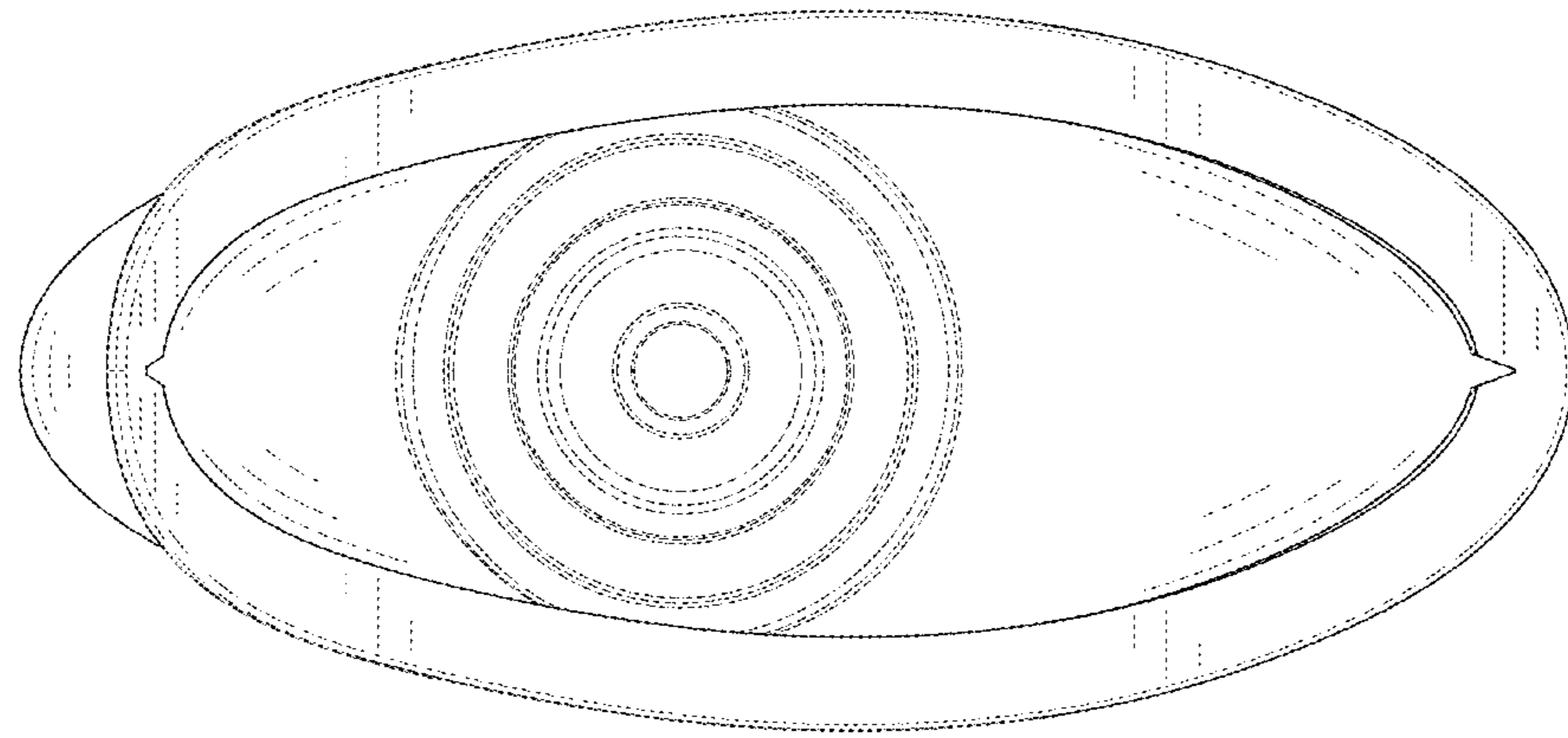


FIG.5

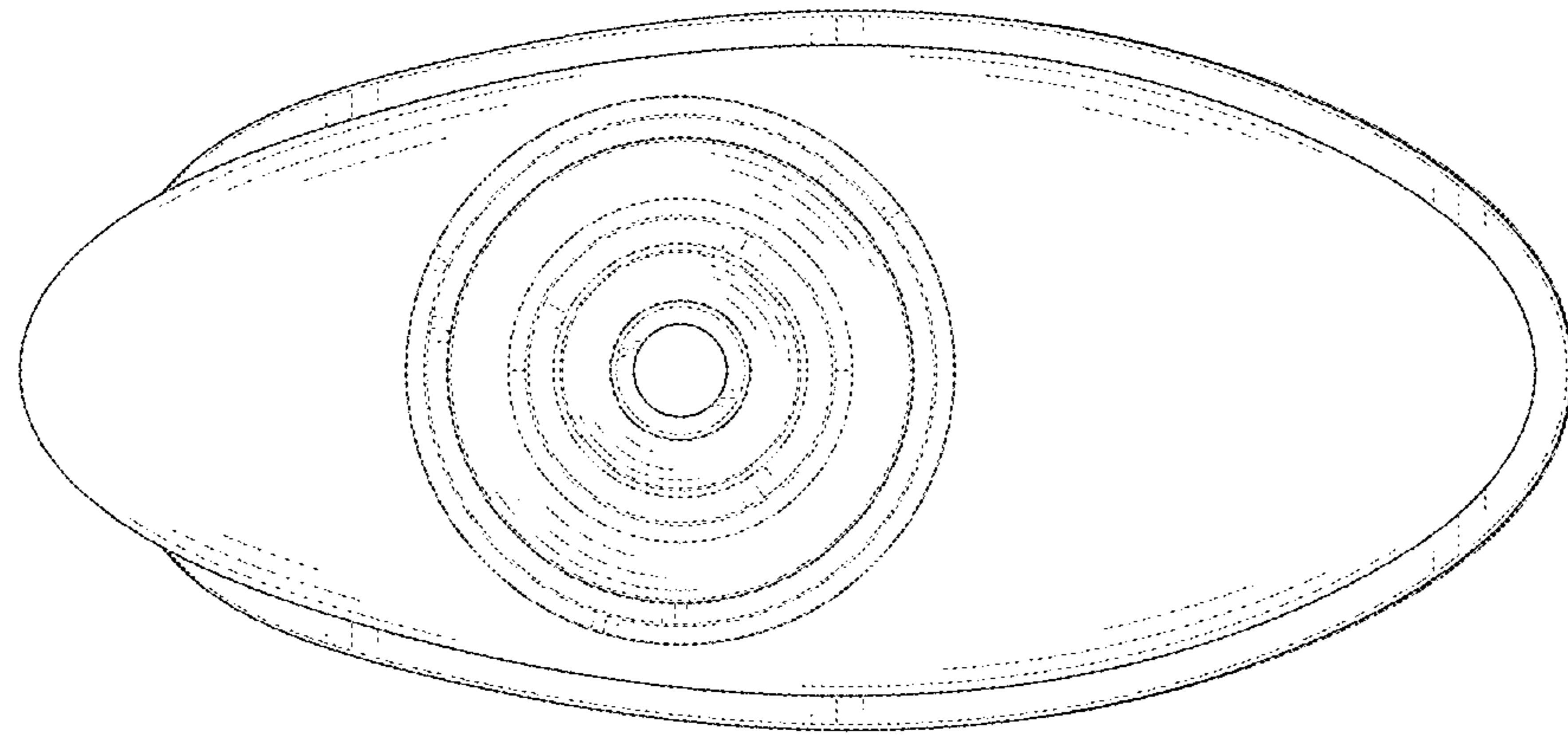


FIG. 6

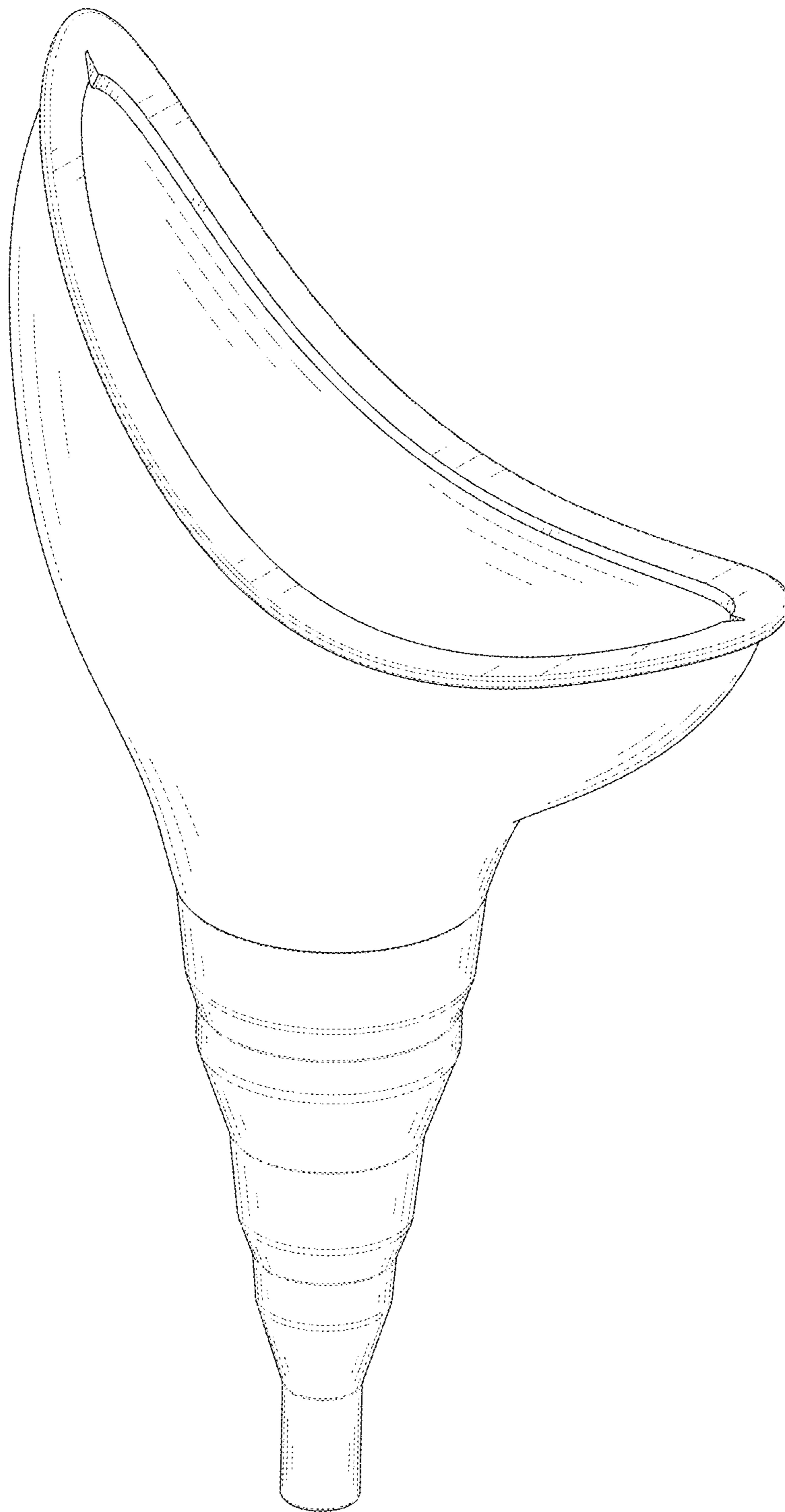


FIG. 7

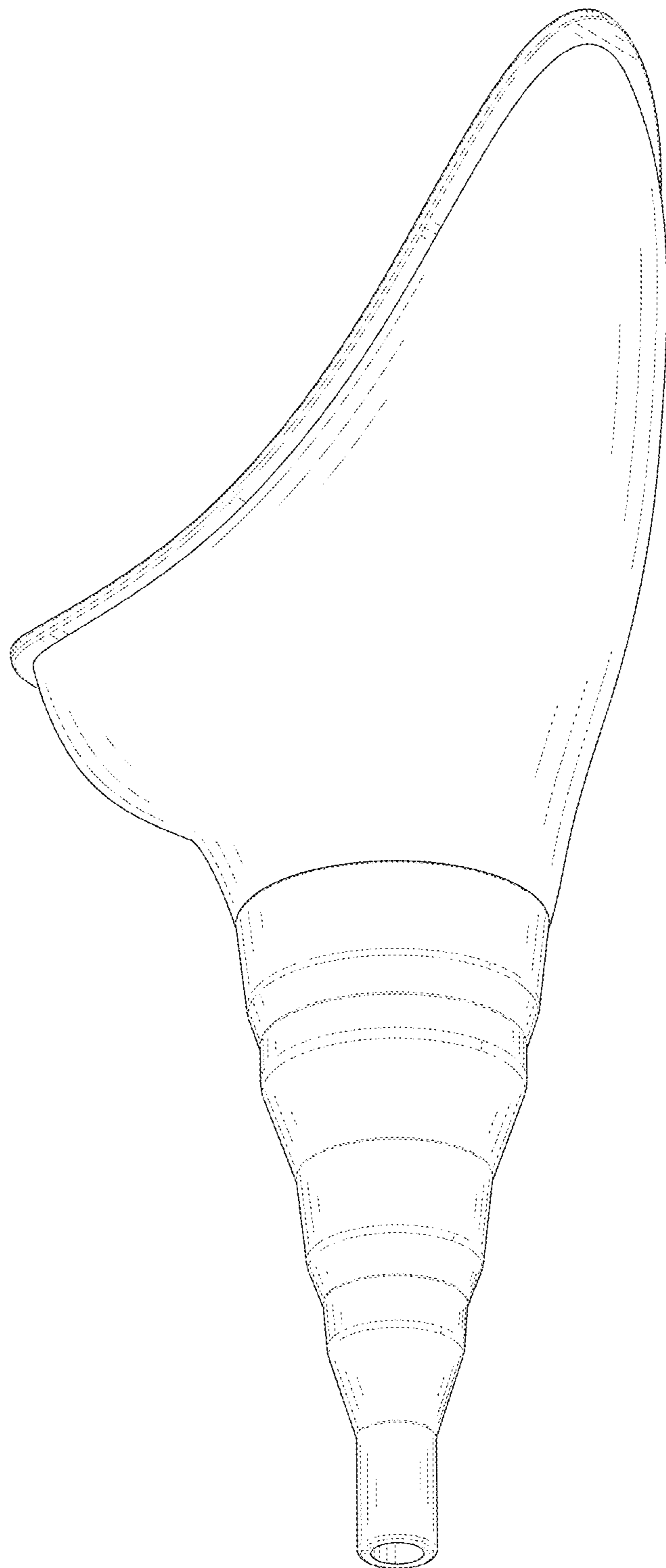


FIG. 8