



US00D969301S

(12) **United States Design Patent** (10) **Patent No.:** **US D969,301 S**
He (45) **Date of Patent:** **** Nov. 8, 2022**

(54) **FAN**
(71) Applicant: **SHENZHEN NANPIAOCHEN INDUSTRY CO., LTD**, Shenzhen (CN)
(72) Inventor: **Yifang He**, Shenzhen (CN)
(73) Assignee: **SHENZHEN NANPIAOCHEN INDUSTRY CO., LTD**, Shenzhen (CN)

D881,371 S * 4/2020 Hollinger D23/382
D891,602 S * 7/2020 Wang D23/378
D898,180 S * 10/2020 Du D23/382
D902,373 S * 11/2020 Xu D23/382
D905,843 S * 12/2020 Chen D23/382
D923,772 S * 6/2021 Chen D23/378
D923,773 S * 6/2021 Wang D23/382
D940,294 S * 1/2022 Park D23/382
D940,295 S * 1/2022 Li D23/382
D940,296 S * 1/2022 Park D23/411

(Continued)

(**) Term: **15 Years**

FOREIGN PATENT DOCUMENTS

(21) Appl. No.: **29/780,477**

CN 202030795724.6 * 9/2021

(22) Filed: **Apr. 25, 2021**

OTHER PUBLICATIONS

(51) **LOC (13) Cl.** **23-04**

(52) **U.S. Cl.**
USPC **D23/378; D23/382**

GagetElec 8-Inch Outdoor Pedestal Fan, Amazon.com, Apr. 25, 2021. <https://www.amazon.com/dp/B093F75XW5?ref_=cm_sw_r_cp_ud_dp_F0W4S9H2S0MQNZMFT05J> (Year: 2021).*

(Continued)

(58) **Field of Classification Search**
USPC D23/370, 378, 381, 382, 411
CPC F04D 29/703; F04D 29/34; F04D 25/088; F04D 25/08; F04D 25/388
See application file for complete search history.

Primary Examiner — Janice Hallmark

(56) **References Cited**

(57) **CLAIM**

U.S. PATENT DOCUMENTS

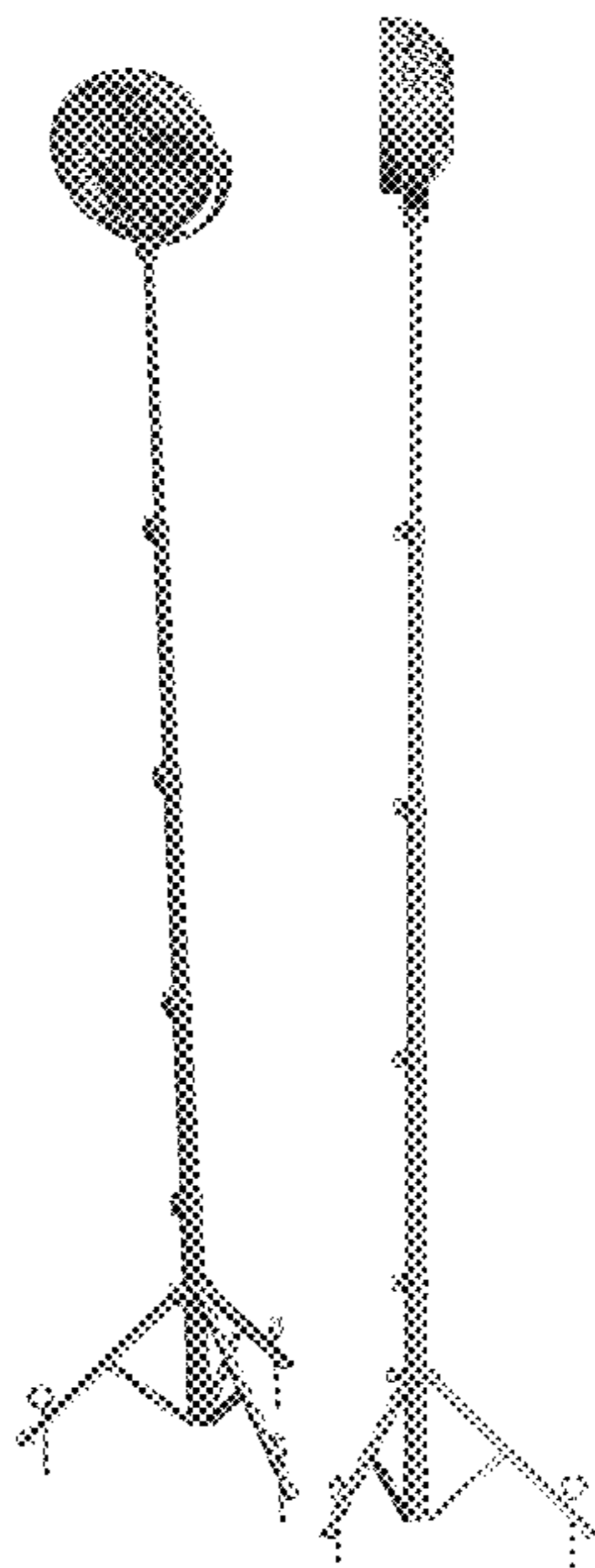
The ornamental design for a fan, as shown and described.

D346,440 S * 4/1994 Chiu D23/382
D406,331 S * 3/1999 Chan D23/382
D412,743 S * 8/1999 Litvin D23/382
D416,081 S * 11/1999 Lee D23/382
D420,734 S * 2/2000 Thakur D23/382
D424,682 S * 5/2000 Thakur D23/382
D426,631 S * 6/2000 Thakur D23/382
D452,733 S * 1/2002 Thakur D23/378
D484,965 S * 1/2004 Wong D23/378
D520,132 S * 5/2006 Jones D23/378
D676,124 S * 2/2013 Almanza D23/378
D680,211 S * 4/2013 Birdsell D23/378
D762,837 S * 8/2016 Yeung D23/378
D804,642 S 12/2017 Wong
D827,121 S * 8/2018 Wang D23/378

DESCRIPTION

FIG. 1 is a perspective view of a fan showing my new design;
FIG. 2 is another perspective view thereof;
FIG. 3 is a front elevational view thereof;
FIG. 4 is a rear elevational view thereof;
FIG. 5 is a left side elevational view thereof;
FIG. 6 is a right side elevational view thereof;
FIG. 7 is a top plan view thereof; and,
FIG. 8 is a bottom plan view thereof.

1 Claim, 8 Drawing Sheets



(56)

References Cited

U.S. PATENT DOCUMENTS

D940,850 S * 1/2022 He D23/382
D946,742 S * 3/2022 Zhang D23/378
D953,515 S * 5/2022 Hong D23/378

OTHER PUBLICATIONS

Airbition 10000mAh Portable Rechargeable Tripod Fan, Amazon.com, Feb. 24, 2022. <https://www.amazon.com/dp/B09T9HZR8W?ref_=cm_sw_r_cp_ud_dp_CE6G6Z6109ATS6RJAMRW> (Year: 2022).*

* cited by examiner

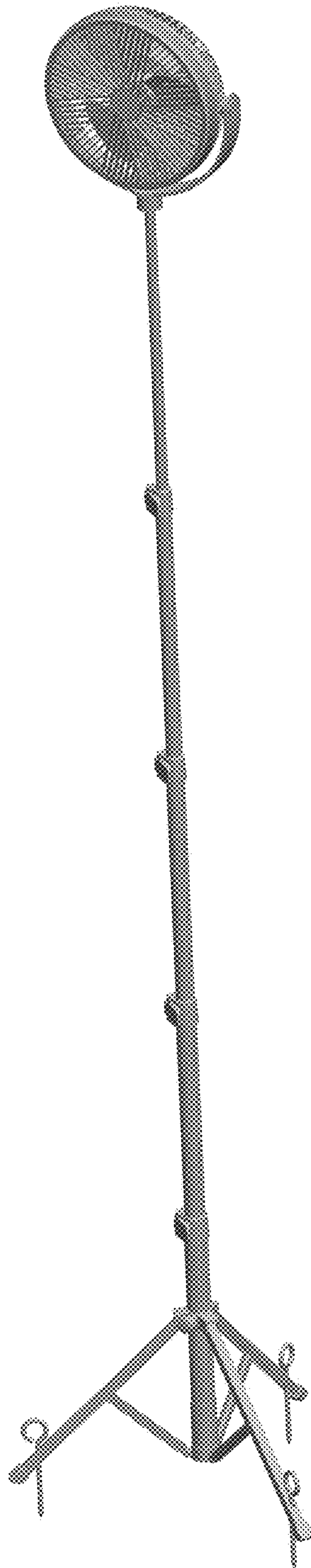


FIG. 1

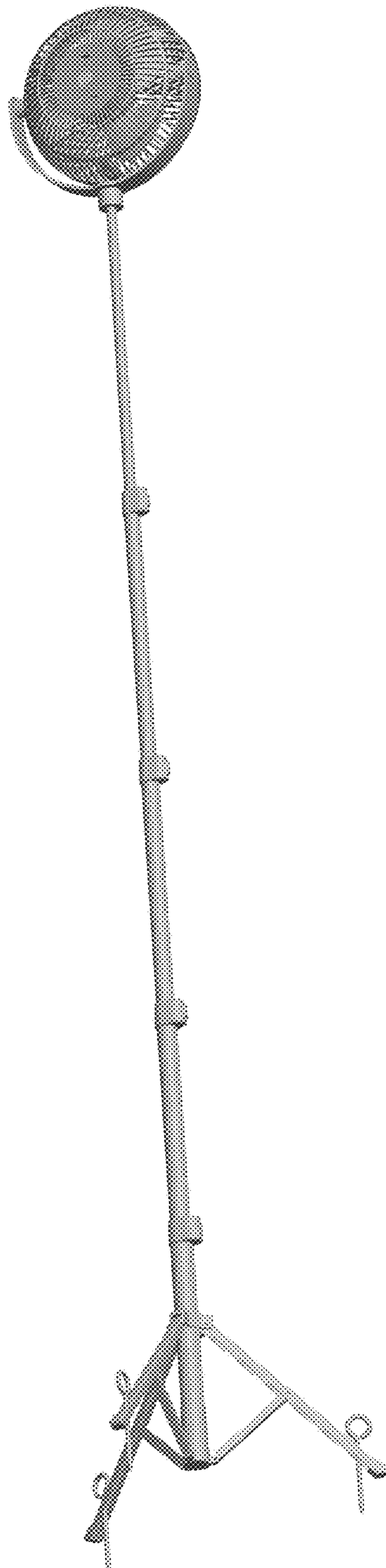


FIG. 2

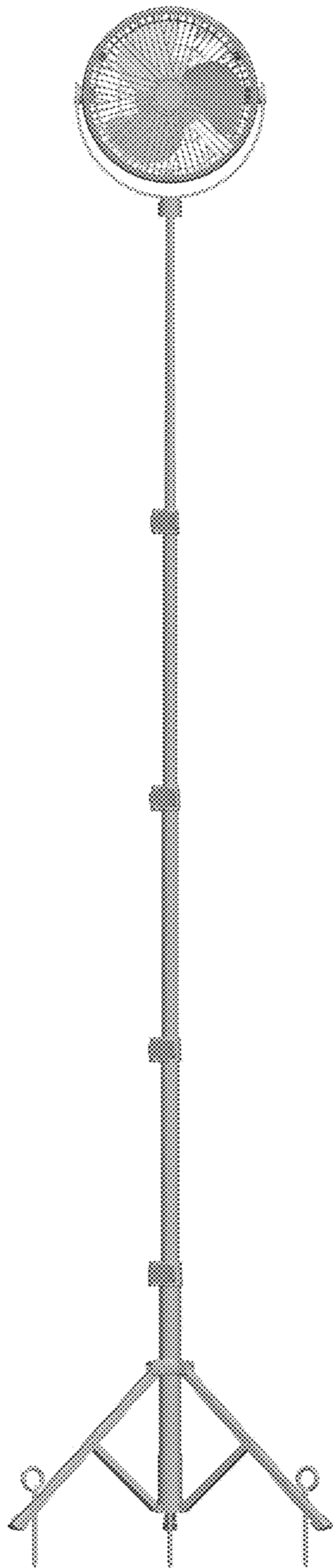


FIG. 3

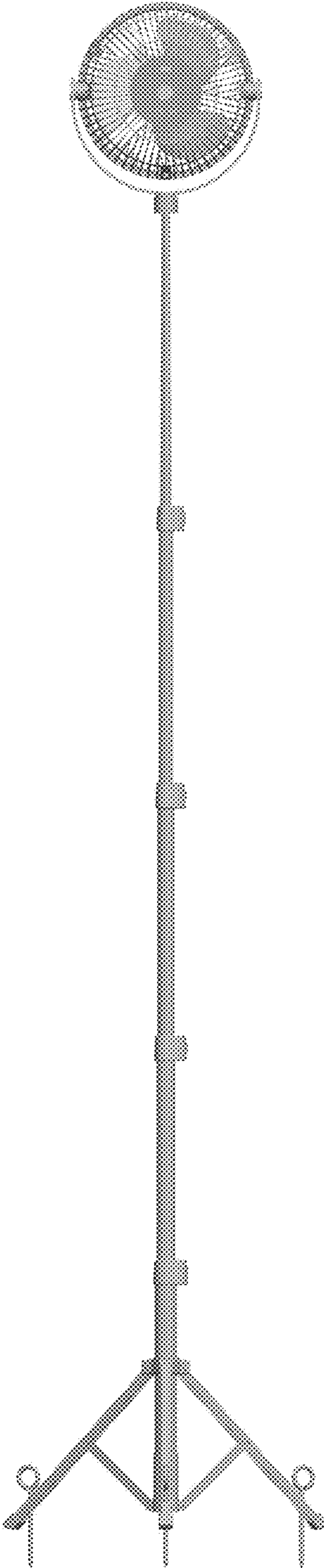


FIG. 4

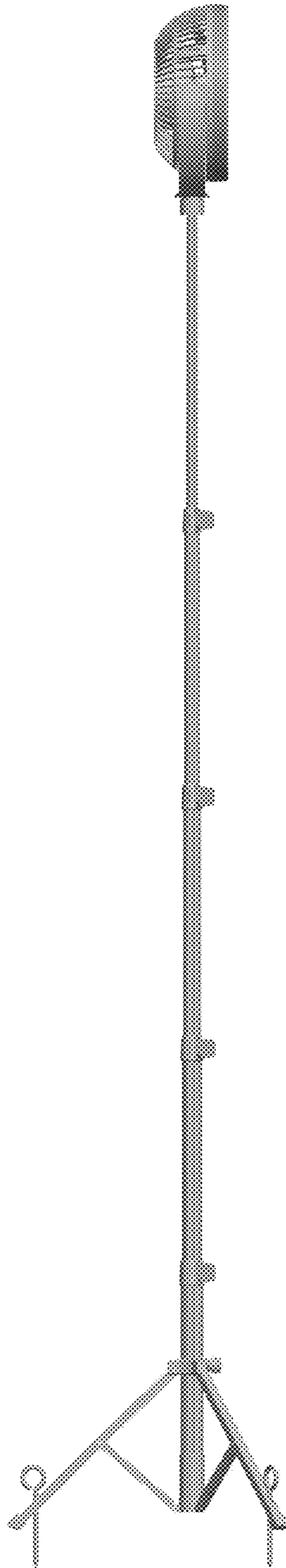


FIG. 5

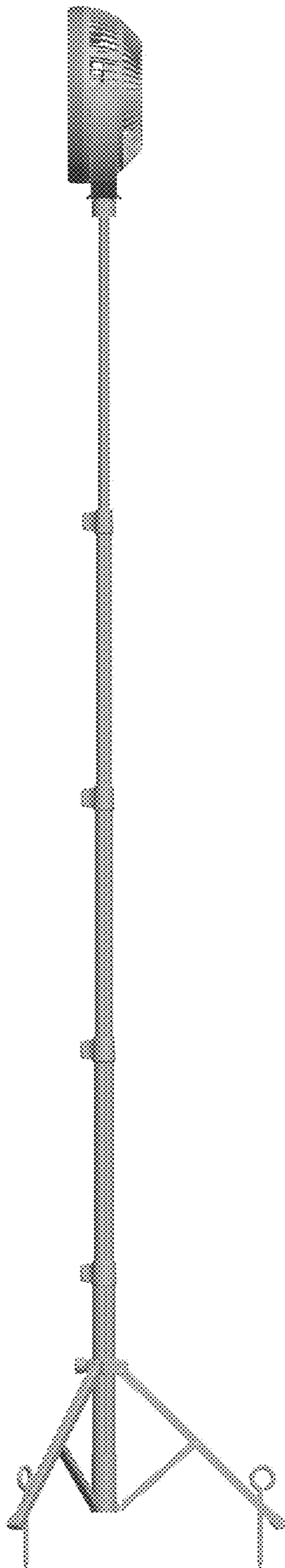


FIG. 6

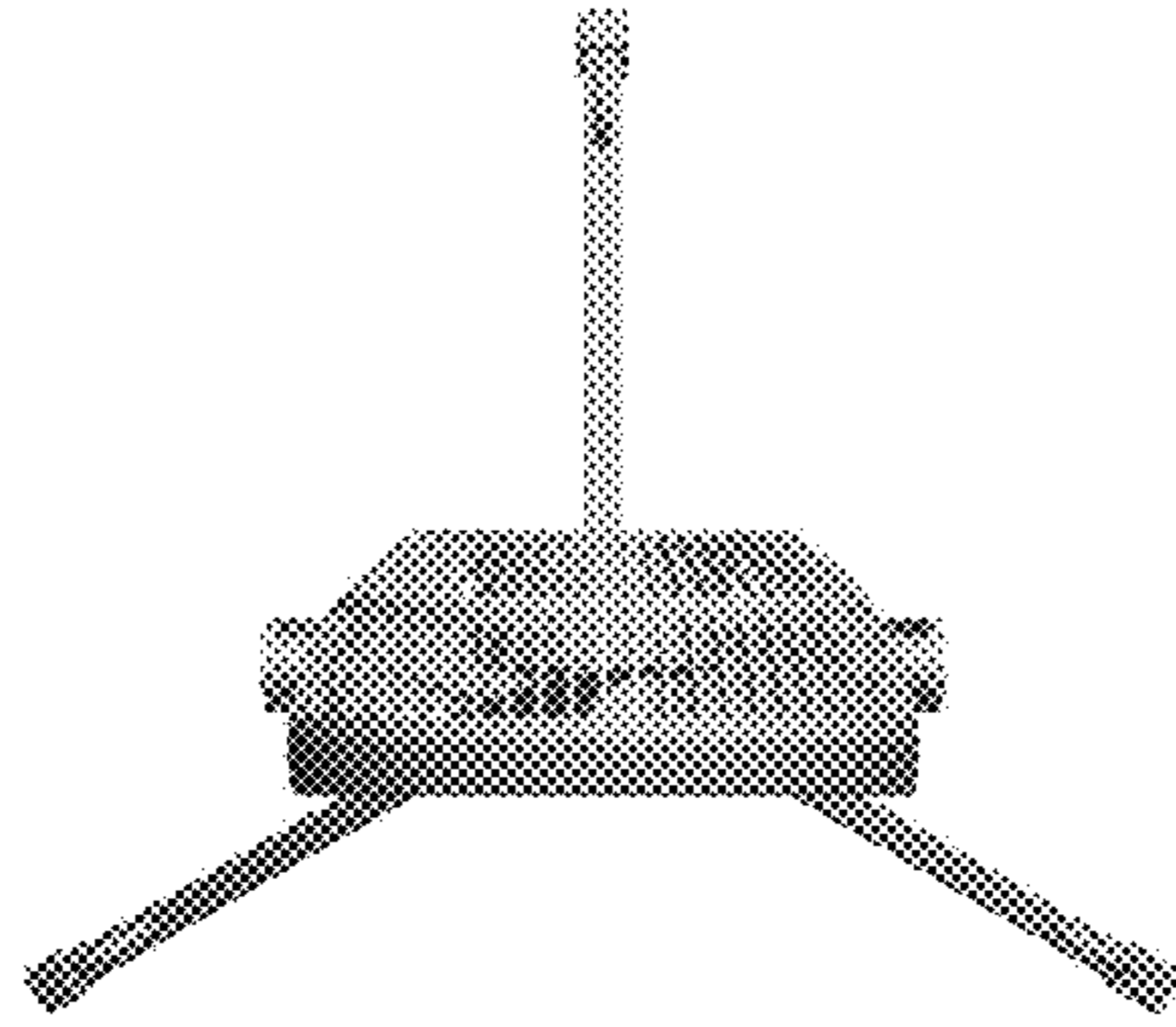


FIG. 7

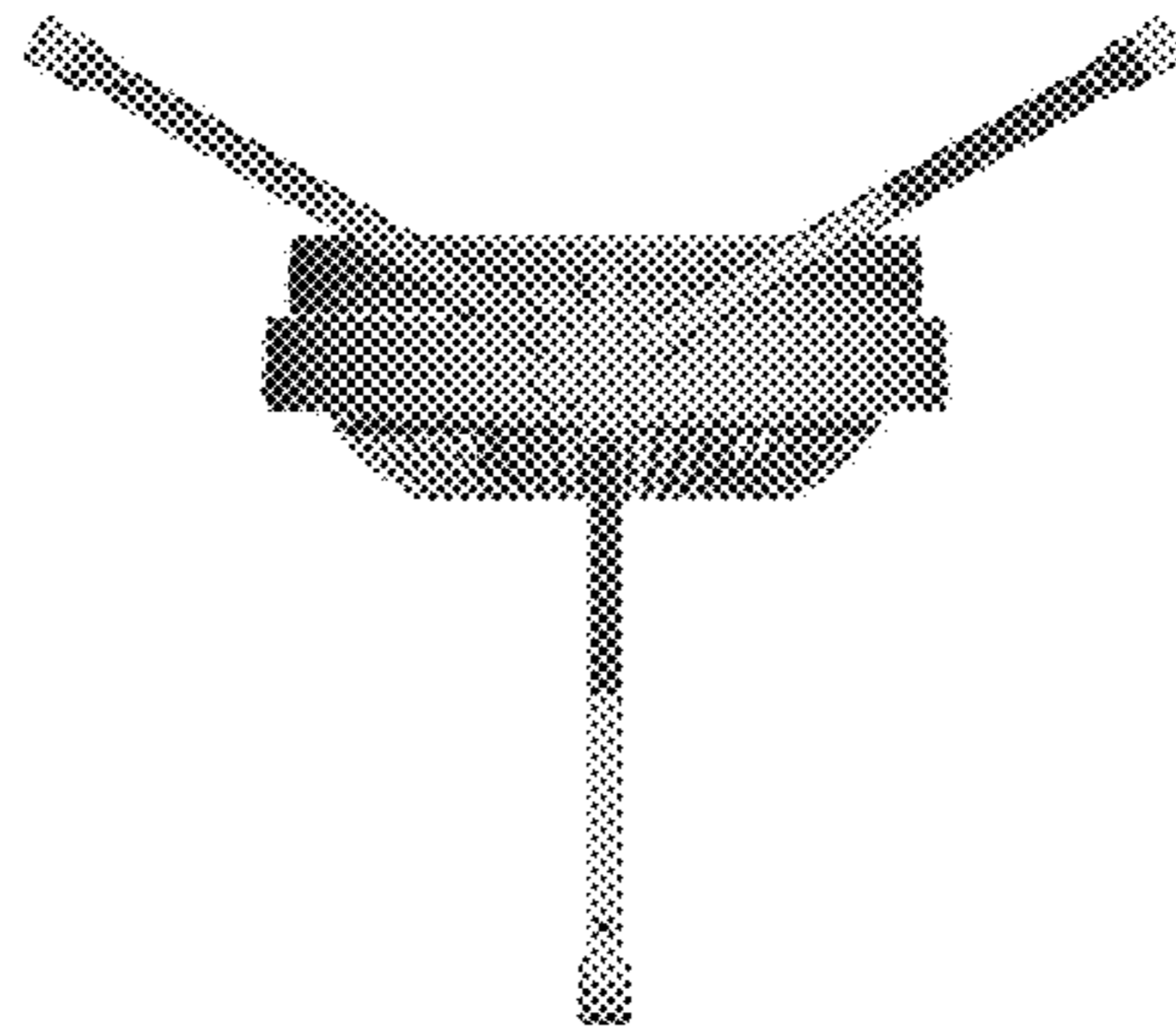


FIG. 8