



US00D969300S

(12) **United States Design Patent** (10) **Patent No.:** **US D969,300 S**  
**Pan** (45) **Date of Patent:** **\*\* Nov. 8, 2022**

(54) **CEILING FAN**  
(71) Applicant: **Fangming Pan**, Ganzhou (CN)  
(72) Inventor: **Fangming Pan**, Ganzhou (CN)  
(\*\*) Term: **15 Years**  
(21) Appl. No.: **29/840,919**  
(22) Filed: **Jun. 1, 2022**  
(51) **LOC (13) Cl.** ..... **23-04**  
(52) **U.S. Cl.**  
USPC ..... **D23/377**  
(58) **Field of Classification Search**  
USPC ..... D23/370, 377, 379-382, 385; D26/59  
CPC ..... F04D 25/088; F04D 29/38; F04D 29/384;  
F04D 29/386; F21V 33/0096  
See application file for complete search history.

D842,447 S \* 3/2019 Horng ..... D23/377  
D852,349 S \* 6/2019 Horng ..... D23/377  
D858,735 S \* 9/2019 Wang ..... D23/377  
D861,849 S 10/2019 Hidalgo  
D881,370 S \* 4/2020 Gajewski ..... D23/377  
D886,979 S \* 6/2020 Gorali ..... D23/377  
D936,202 S 11/2021 McRoberts et al.  
D940,847 S \* 1/2022 Wang ..... D23/377  
D947,356 S \* 3/2022 Holmes Bradley ..... D23/377  
2007/0104583 A1\* 5/2007 Gajewski ..... F04D 29/005  
416/210 R

\* cited by examiner

*Primary Examiner* — Sharon S Oum  
(74) *Attorney, Agent, or Firm* — Jeenam Park

(57) **CLAIM**

The ornamental design for a ceiling fan, as shown and described.

(56) **References Cited**

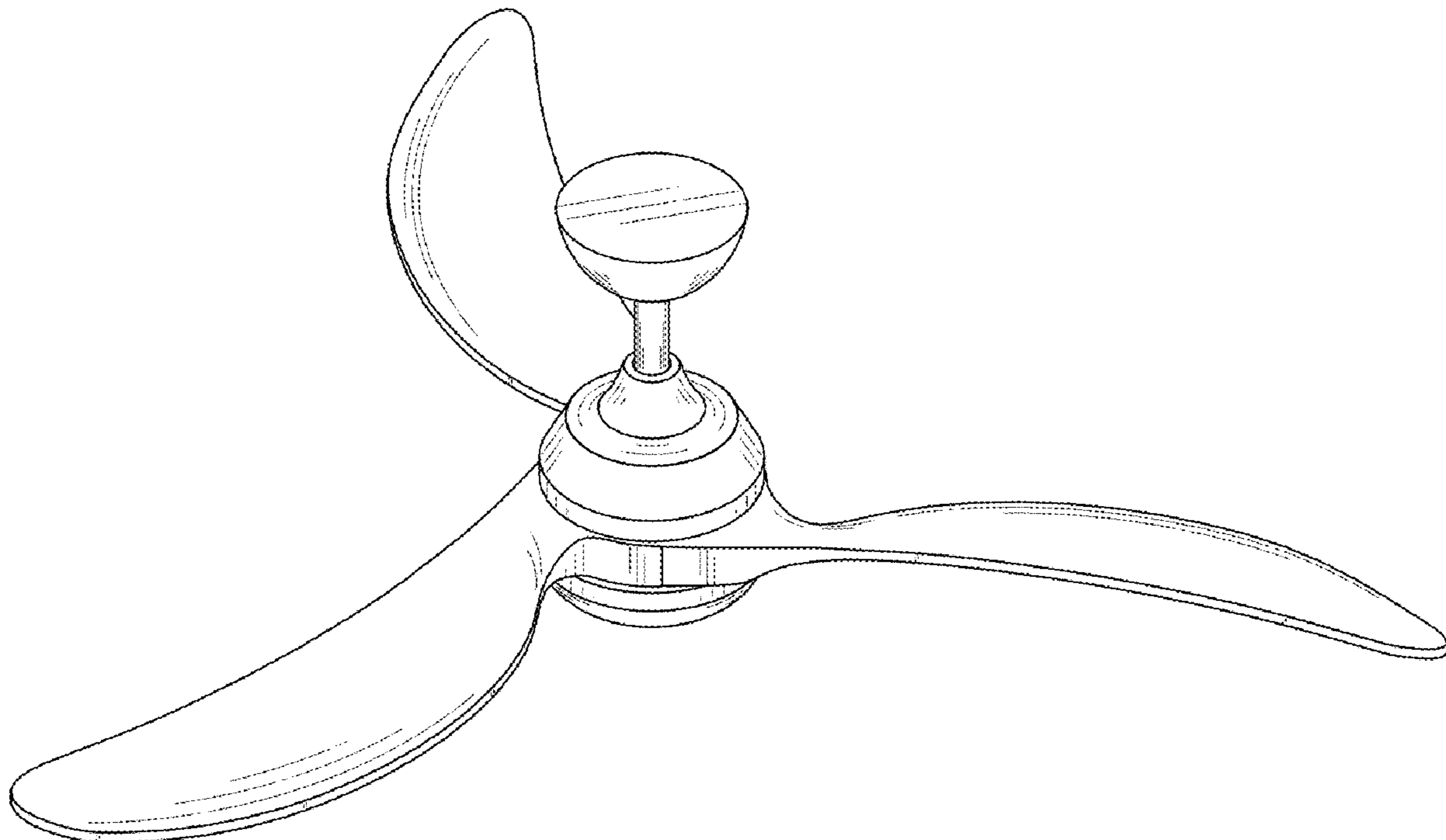
U.S. PATENT DOCUMENTS

2,269,287 A \* 1/1942 Roberts ..... F04D 29/384  
D23/413  
D535,011 S \* 1/2007 Gajewski ..... D23/379  
D536,083 S \* 1/2007 Gajewski ..... D23/379  
7,481,626 B2 \* 1/2009 Gajewski ..... F04D 29/384  
416/220 A  
D715,419 S \* 10/2014 Schulzman ..... D23/377  
D750,213 S \* 2/2016 Schulzman ..... D23/385  
D800,291 S \* 10/2017 Wang ..... D23/385  
D833,595 S \* 11/2018 Busta ..... D23/377  
D834,491 S \* 11/2018 Zipszer ..... D12/214

**DESCRIPTION**

FIG. 1 is a perspective view of a ceiling fan, showing my new design;  
FIG. 2 is another perspective view thereof;  
Fig. 3 is a front view thereof;  
FIG. 4 is a rear view thereof;  
FIG. 5 is a left side view thereof;  
FIG. 6 is a right side view thereof;  
FIG. 7 is a top plan view thereof; and,  
FIG. 8 is a bottom plan view thereof.

**1 Claim, 8 Drawing Sheets**



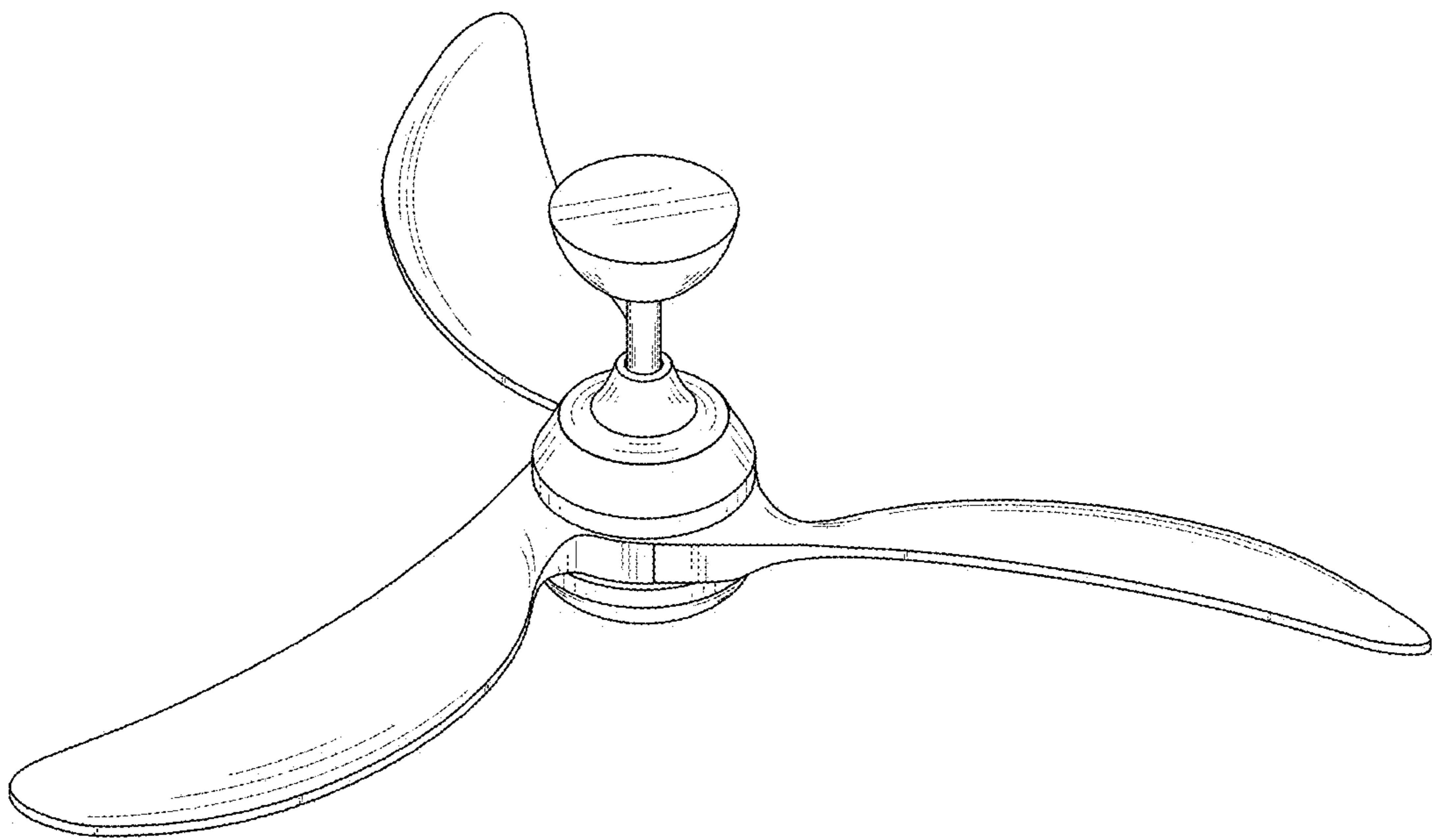


FIG. 1

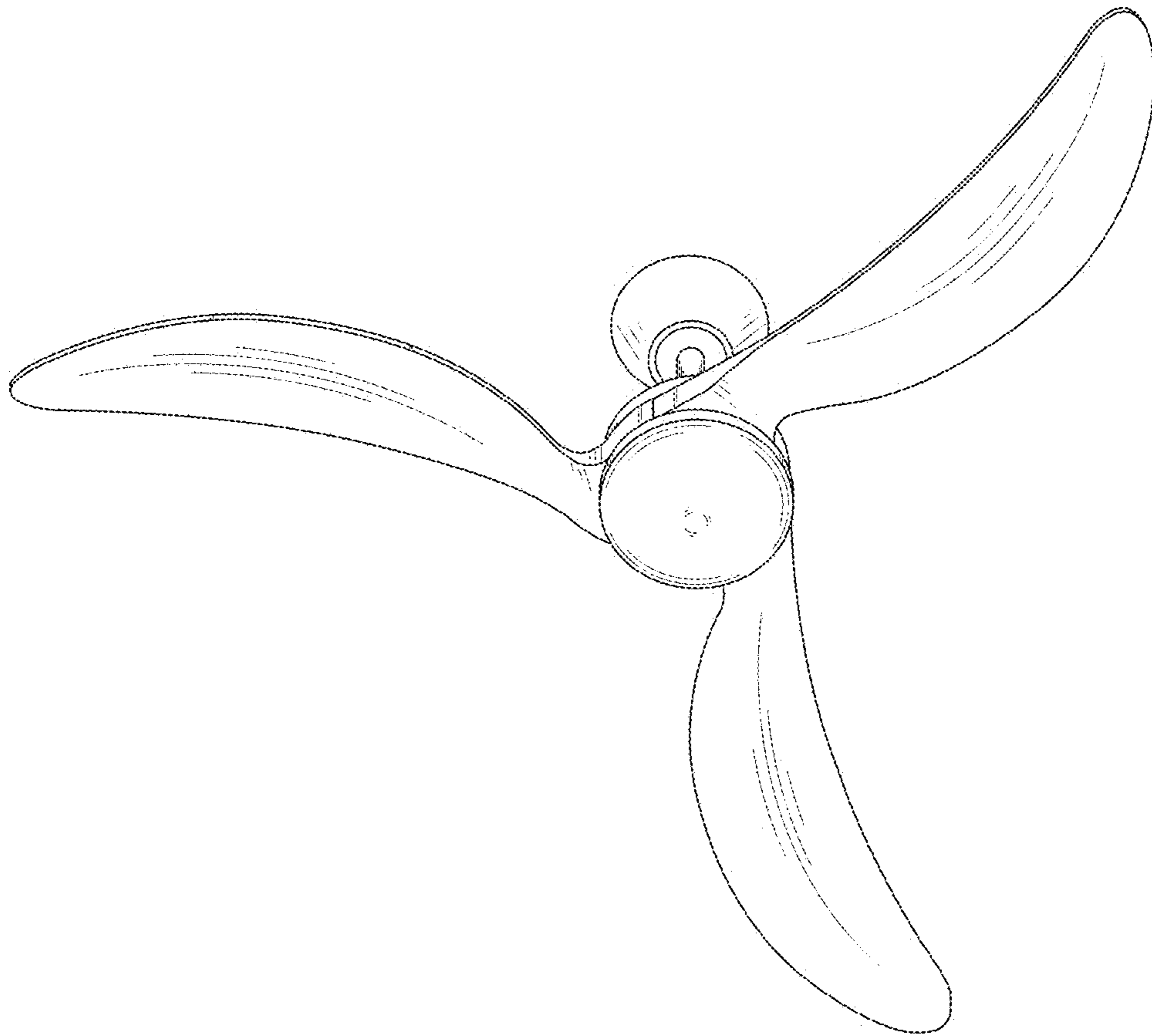


FIG.2

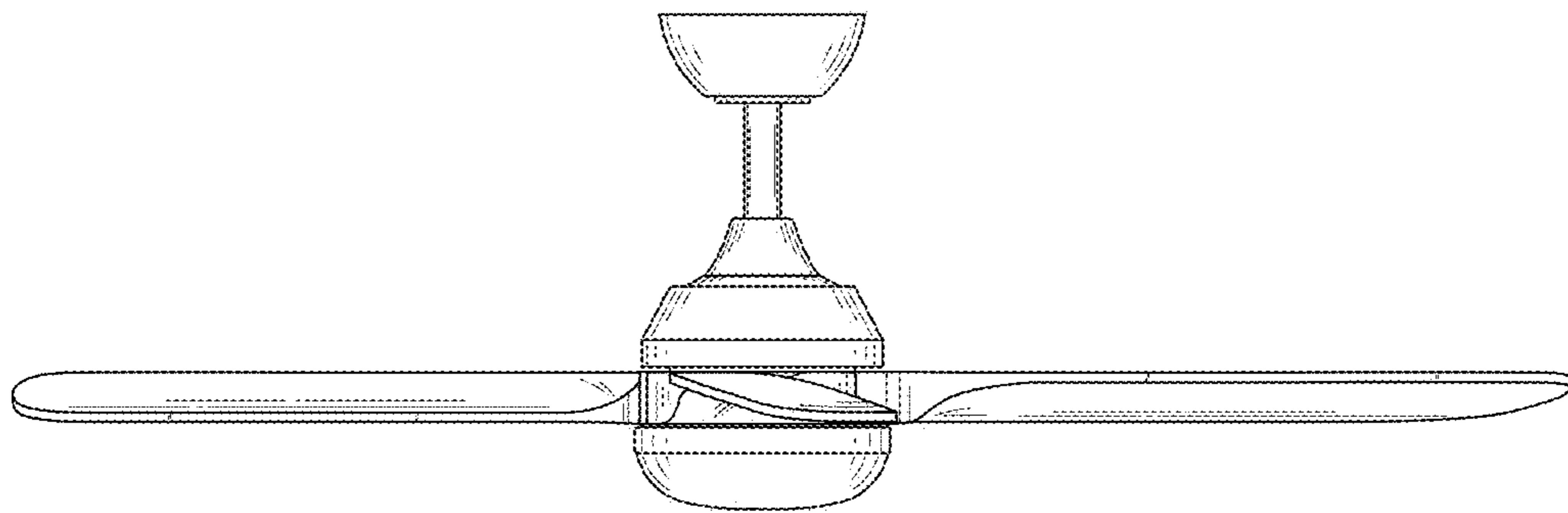


FIG. 3

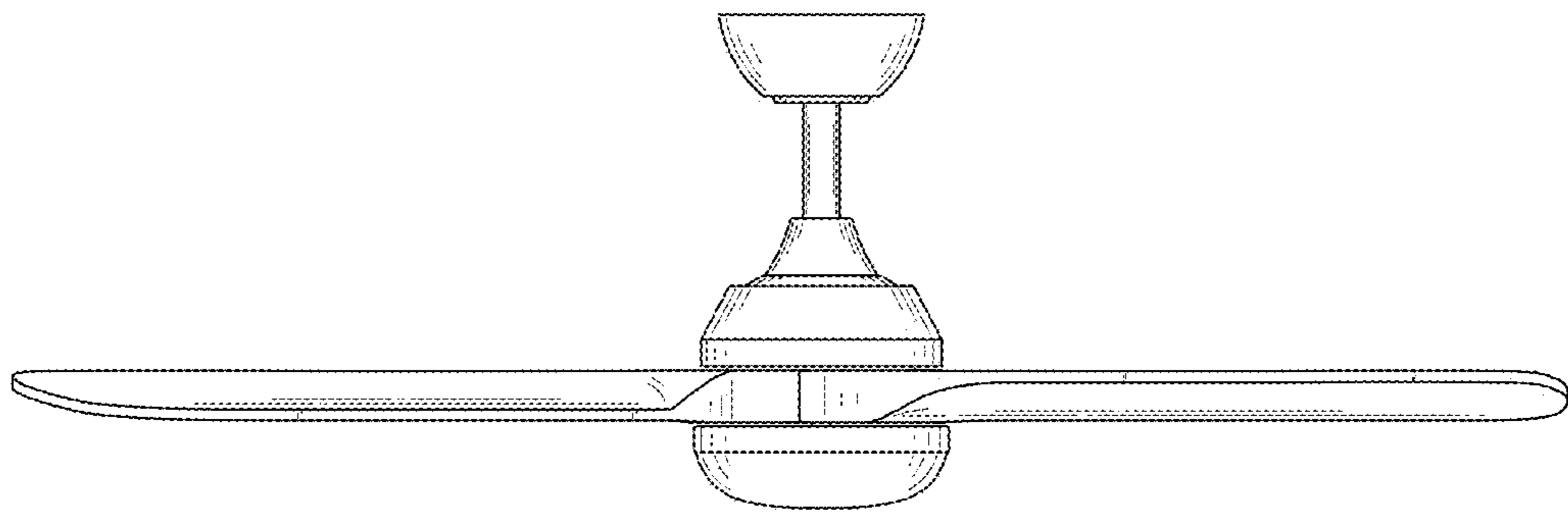


FIG.4

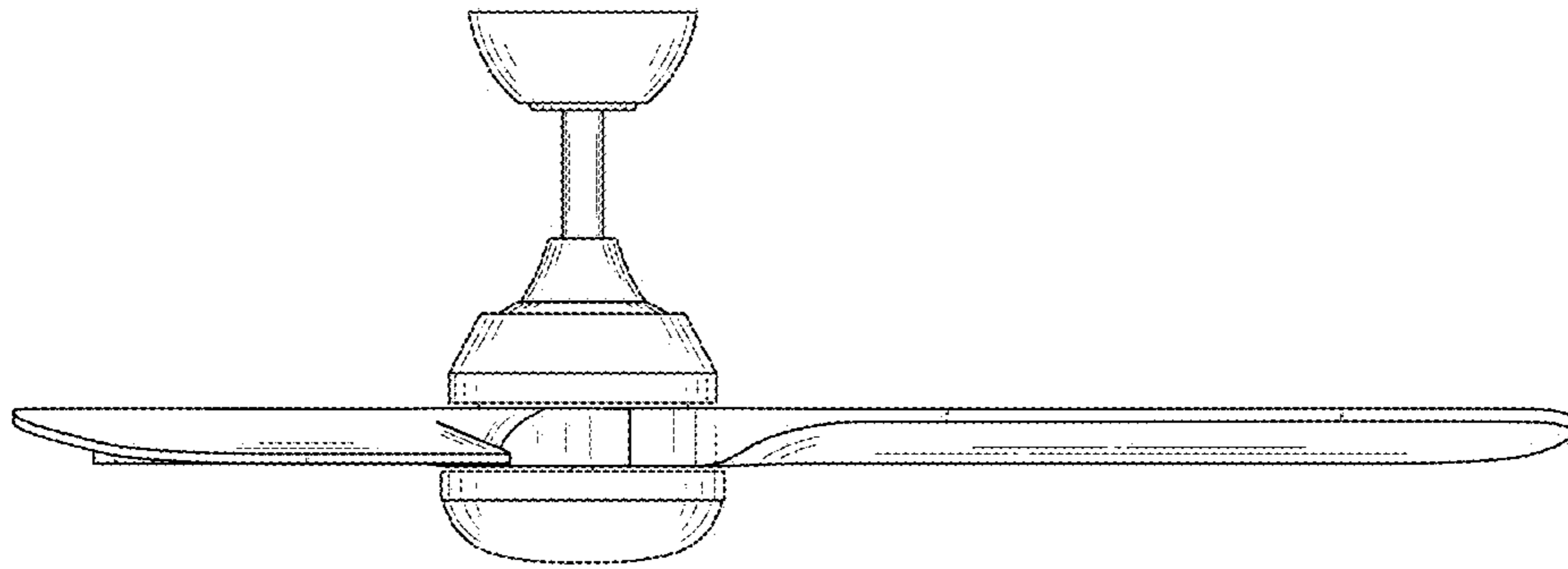


FIG.5

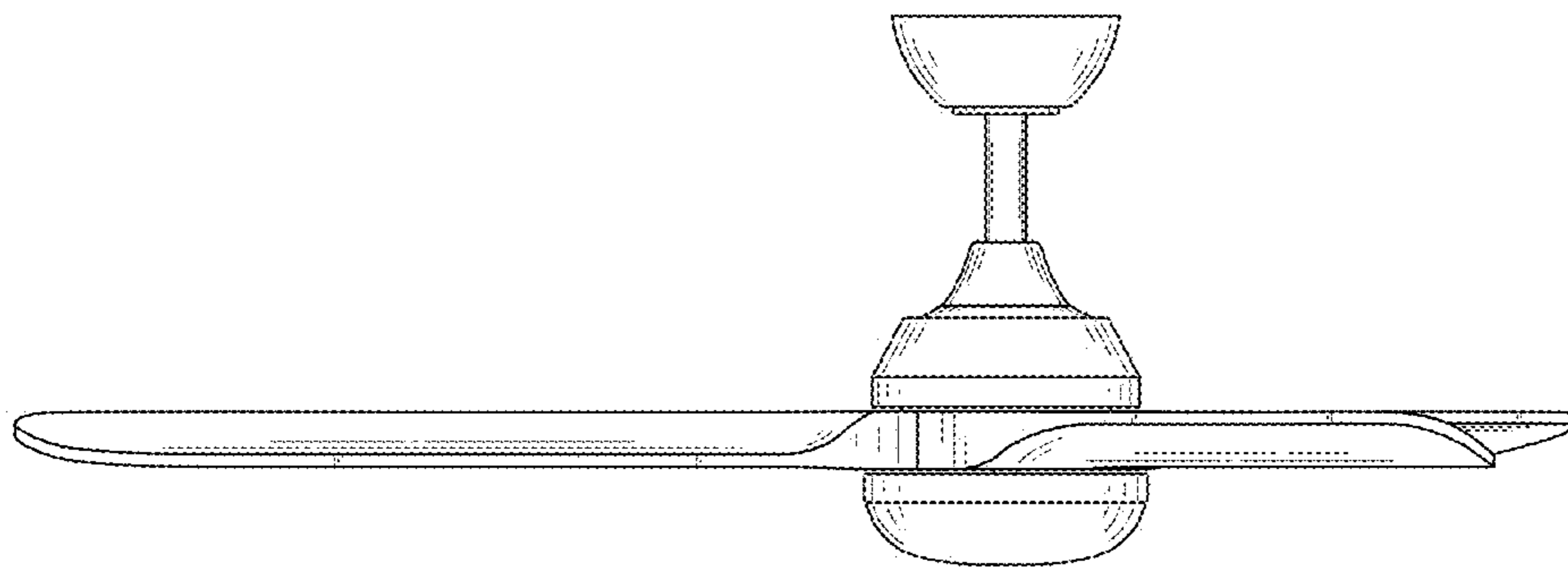


FIG.6

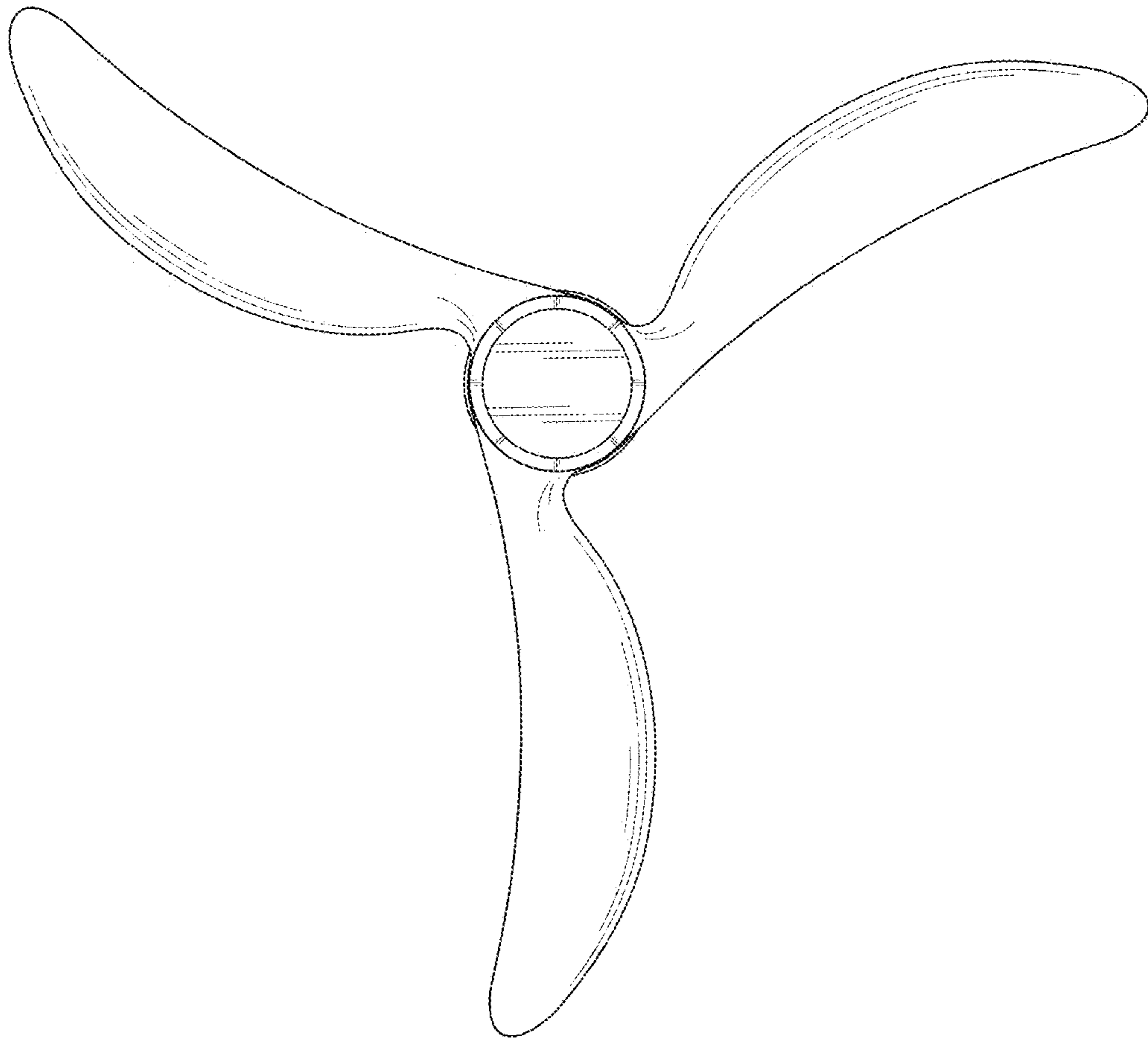


FIG. 7



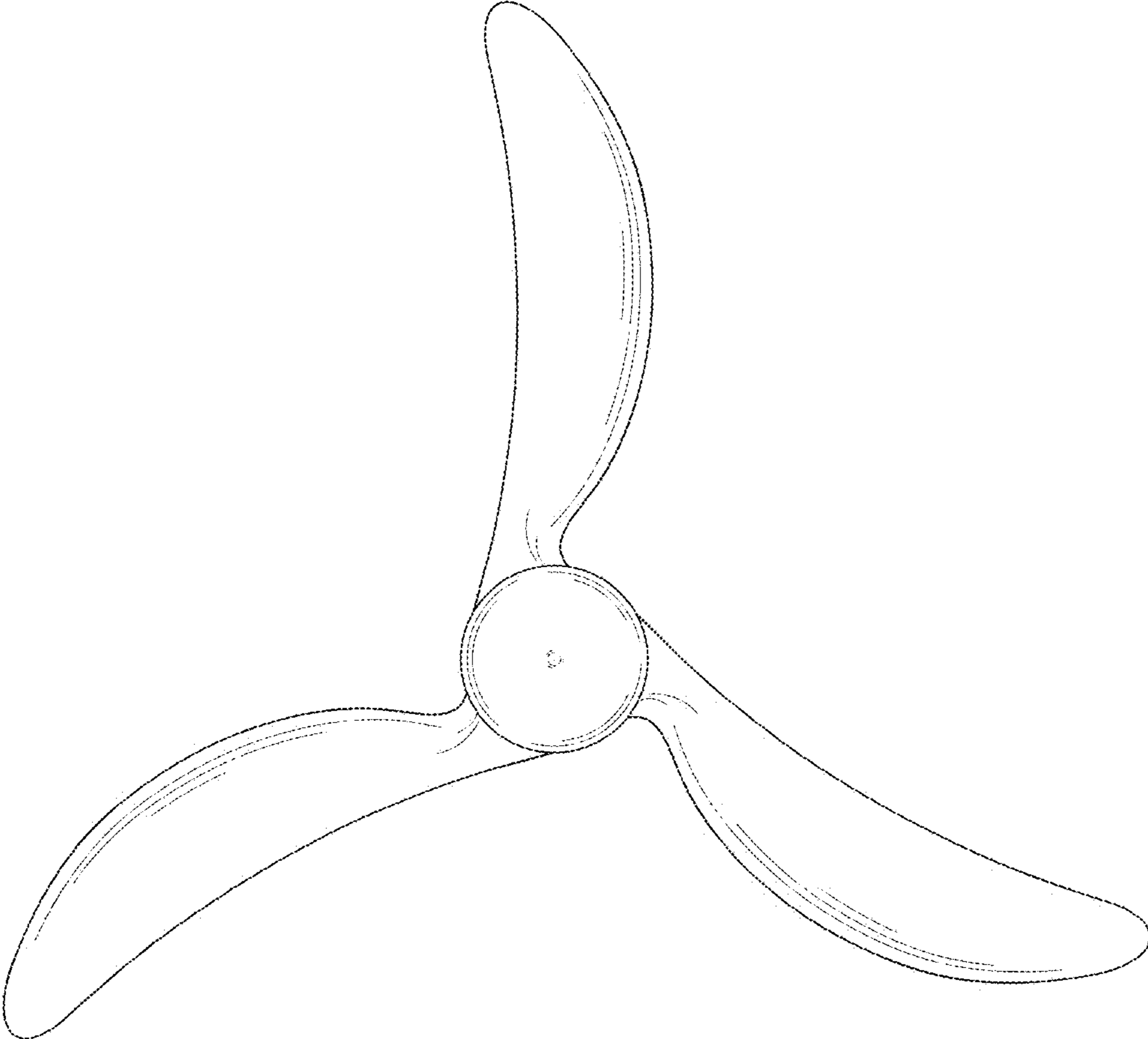


FIG.8