



US00D969299S

(12) **United States Design Patent**  
**Haggar**

(10) **Patent No.:** **US D969,299 S**

(45) **Date of Patent:** **\*\* Nov. 8, 2022**

(54) **CEILING FAN**

(71) Applicant: **HUNTER FAN COMPANY,**  
Memphis, TN (US)

(72) Inventor: **Alexander Jonathan Haggar,**  
Memphis, TN (US)

(73) Assignee: **Hunter Fan Company,** Memphis, TN  
(US)

(\*\*) Term: **15 Years**

(21) Appl. No.: **29/820,633**

(22) Filed: **Dec. 22, 2021**

**Related U.S. Application Data**

(63) Continuation of application No. 29/781,963, filed on May 3, 2021, now Pat. No. Des. 941,984, which is a continuation of application No. 29/713,245, filed on Nov. 14, 2019, now Pat. No. Des. 921,881, which is a continuation of application No. 29/593,483, filed on Feb. 9, 2017, now Pat. No. Des. 875,914.

(51) **LOC (13) Cl.** ..... **23-04**

(52) **U.S. Cl.**  
USPC ..... **D23/377**

(58) **Field of Classification Search**  
USPC ..... D23/370, 377, 385, 411; D26/59  
CPC ..... F04D 29/703; F04D 29/34; F04D 25/088;  
F04D 25/08; F04D 25/388

See application file for complete search history.

(56) **References Cited**

**U.S. PATENT DOCUMENTS**

D297,974 S	10/1988	Sonneman
D298,052 S	10/1988	Sonneman
D328,491 S	8/1992	Markwardt
D328,785 S	8/1992	Markwardt
D333,867 S	3/1993	Markwardt
D345,790 S	4/1994	Caldwell

D357,978 S	*	5/1995	Young	.....	D23/385
D386,257 S	*	11/1997	Liu	.....	D23/385
D510,425 S		10/2005	Young		
D547,436 S		7/2007	Shurtleff		
D607,600 S		1/2010	Keith		
D609,799 S	*	2/2010	Lee	.....	D23/377
D627,874 S		11/2010	Pan		
D628,688 S		12/2010	Pan		
D632,381 S		2/2011	Davenport et al.		
D638,926 S		5/2011	Frampton		
D694,463 S	*	11/2013	Sieczkowski	.....	D26/124
D707,336 S		6/2014	Pan		
D744,634 S		12/2015	Wang		
D745,956 S		12/2015	Ertze		
D750,221 S		2/2016	Schulzman		

(Continued)

**OTHER PUBLICATIONS**

<http://fwww.montecarlofans.com/50453/56-Vision-Max-Rubberized-White-3VNMR56RZWD.html>, Item Specification on the Monte Carlo Vision Max Collection, Model No. 3VNMR56RZWD, accessed Feb. 7, 2017.

(Continued)

*Primary Examiner* — Janice Hallmark

(74) *Attorney, Agent, or Firm* — McGarry Bair PC

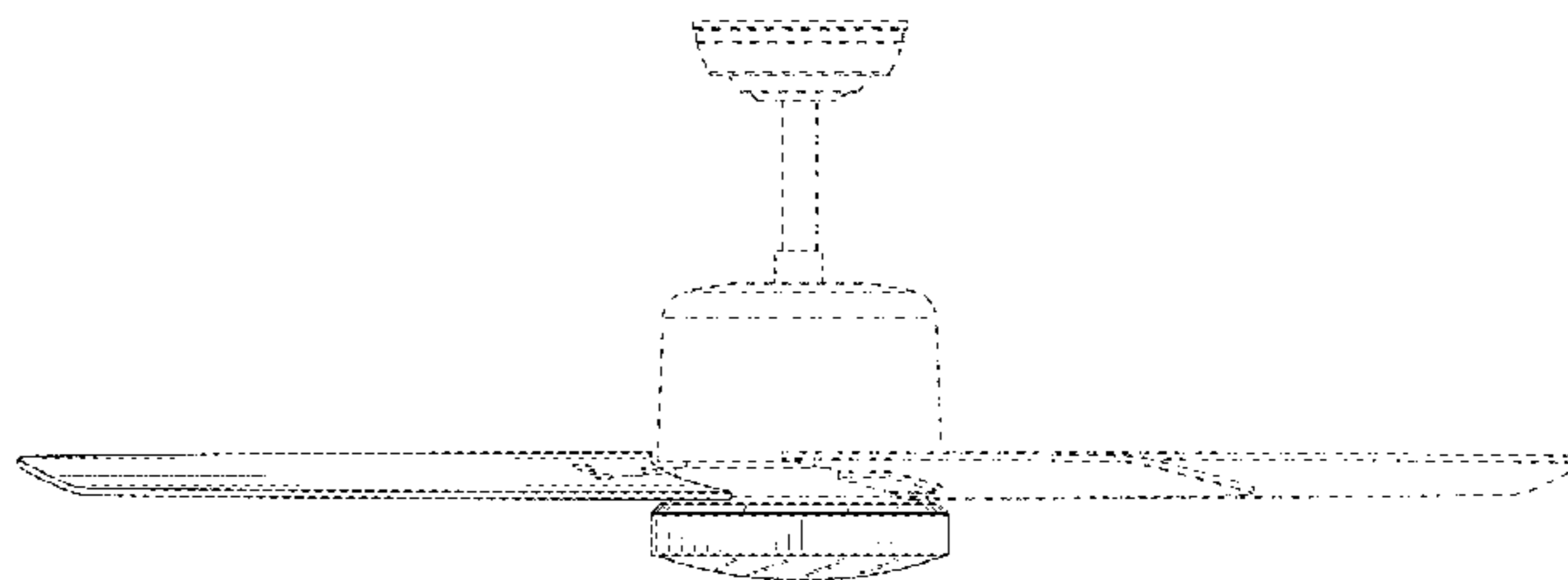
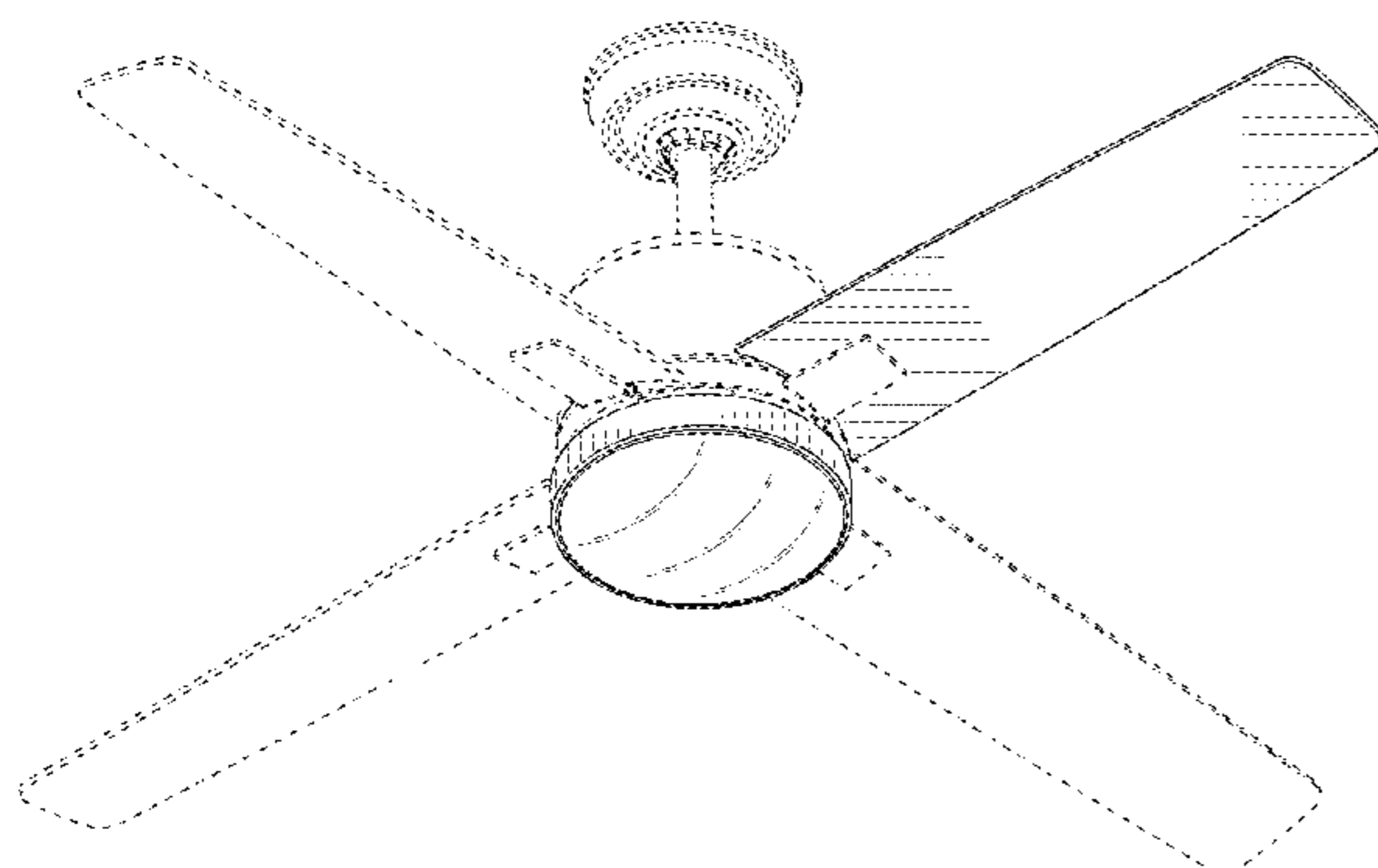
(57) **CLAIM**

The ornamental design for a ceiling fan, as shown and described.

**DESCRIPTION**

FIG. 1 is a top perspective view of a ceiling fan, showing my new design;  
FIG. 2 is a bottom perspective view thereof;  
FIG. 3 is a top view thereof;  
FIG. 4 is a bottom view thereof; and,  
FIG. 5 is a side view thereof.  
Portions of the ceiling fan shown in broken line form no part of the claimed design.

**1 Claim, 5 Drawing Sheets**



(56)

References Cited

U.S. PATENT DOCUMENTS

D751,187 S \* 3/2016 Dolan ..... D26/59  
 D760,368 S 6/2016 Chen  
 D771,794 S 11/2016 Wang  
 D772,393 S \* 11/2016 Wang ..... D23/413  
 D782,644 S 3/2017 Wang  
 D794,768 S \* 8/2017 Wang ..... D23/377  
 D795,412 S 8/2017 Schulzman  
 D795,413 S 8/2017 Wang  
 D796,659 S 9/2017 Schulzman  
 D799,661 S 10/2017 Holmes  
 D799,665 S 10/2017 Wang  
 D800,291 S 10/2017 Wang  
 D800,891 S 10/2017 McRoberts et al.  
 D802,114 S 11/2017 Busta  
 D804,010 S 11/2017 Guthrie  
 D804,629 S 12/2017 McRoberts et al.  
 D804,630 S 12/2017 Holmes et al.  
 D805,174 S 12/2017 Guthrie  
 D805,175 S 12/2017 Hagggar  
 D805,625 S \* 12/2017 Hagggar ..... D23/385  
 D809,118 S 1/2018 Guthrie et al.  
 D809,644 S 2/2018 Holmes et al.  
 D810,915 S 2/2018 Guthrie et al.  
 D810,920 S 2/2018 Hagggar  
 D826,395 S \* 8/2018 McRoberts ..... D23/411  
 D831,187 S 10/2018 Schulzman  
 D834,696 S 11/2018 Schulzman  
 D844,769 S 4/2019 McRoberts et al.  
 D851,235 S 6/2019 Hidalgo  
 D855,788 S 8/2019 Hagggar  
 D855,789 S 8/2019 Hagggar  
 D857,874 S 8/2019 Hidalgo  
 D858,735 S 9/2019 Wang  
 D862,755 S \* 10/2019 Hagggar ..... D26/59  
 D867,573 S 11/2019 Guthrie  
 D873,987 S 1/2020 Biancuzzo  
 D875,914 S 2/2020 Hagggar  
 D877,881 S 3/2020 Hidalgo  
 D886,980 S 6/2020 McRoberts et al.  
 D890,320 S 7/2020 Holmes  
 D890,910 S \* 7/2020 Hagggar ..... D23/377  
 D911,510 S 2/2021 Guthrie  
 D921,880 S \* 6/2021 Hagggar ..... D23/377  
 D921,881 S 6/2021 Hagggar  
 D933,193 S \* 10/2021 Hagggar ..... D26/59  
 D941,453 S \* 1/2022 Eiffert ..... D23/377  
 D941,984 S \* 1/2022 Hagggar ..... D23/411  
 D943,079 S \* 2/2022 O'Connell ..... D23/377  
 D946,741 S \* 3/2022 Martell ..... D23/377  
 D947,356 S \* 3/2022 Holmes Bradley ..... D23/377  
 2005/0249598 A1 11/2005 Young  
 2018/0128276 A1 5/2018 Li

OTHER PUBLICATIONS

<http://www.craftmade.com/Craftmade-MN44SS4-Stainless-Steel-Ceiling-Fan.HTM>, Item Specification for the Craftmade Lighting Montreal, Model No. MN44SS4, accessed Feb. 7, 2017.

<http://www.kichler.com/products/productU48-inch-contemporary-fan-mch-300017mch.aspx>, Item Specification for the Kichler Gelino Collection, Model No. 300017MCH, accessed Feb. 7, 2017.  
<http://www.kichler.com/products/productU52-arkwet-patio-ceiling-fan-wcp-339529wcp.aspx>, Item Specification for the Kichler Arkwet Patio Collection, Model No. 339529WCP, accessed Feb. 7, 2017.  
<http://ceilingfans.emerson.com/shop/en/fan/fans-s-emerson-fans/emerson-fans-browse-all/highrise-fan-p-cf430>, Item Specification for the Emerson Highrise, Model No. CF430BS, accessed Feb. 7, 2017.  
<http://www.montecarlofans.com/33062/52-Clarity-Rubberized-White-3CL-YR52RZWD.html>, Item Specification for the Monte Carlo Clarity Collection, Model No. 3CLYR52RZWD, accessed Feb. 7, 2017.  
<http://www.kichler.com/products/productU60-bowen-ceiling-fan-mwh-330243mwh.aspx>, Item Specification for the Kichler Bowen Ceiling Fan Collection, Model No. 330243MWH, accessed Feb. 7, 2017.  
<http://www.kichler.com/products/productU52-inch-lucian-ceiling-fan-ni-300176ni.aspx>, Item Specification for the Kichler Lucian Collection, Model No. 330000NI, accessed Feb. 7, 2017.  
<http://www.menards.com/main/p-1444424537879-c-7487.htm?tid=-5244648551955826367>, Item Specification for the Lurn of the Century Montego Bay, Model No. CP152115, accessed Feb. 7, 2017.  
<http://www.fanimation.com/products/xeno/>, Item Specification for the Fanimation Xeno, Model No. FP6729, accessed Feb. 8, 2017.  
<https://www.amazon.com/Kichler-Lighting-300175WH-Integrated-Downlight/dp/BOOHERJ10>, Item Specification for the Kichler Vassar, Model No. 300175WH, accessed Feb. 8, 2017.  
<https://ceilingfans.emerson.com/shop/en/fan/54-volta-ceiling-fan-p-cf590>, Item Specification for the Emerson Volta, Model No. CF950BQ, accessed Feb. 8, 2017.  
<http://www.menards.com/main/p-1444438448164-c-7488.htm?tid=-5244648551955826367>, Item Specification for the Lurn of the Century Lafitte, Model No. fn1305gs, accessed Feb. 8, 2017.  
<http://www.kichler.com/products/product/56-ellys-ceiling-fan-ni-300239ni.aspx>, Item Specification for the Kichler Ellys Collection, Model No. 300239NI, accessed Feb. 8, 2017.  
<http://www.hunterfan.com/Ceiling-Fans?PageNumber=14>, Item Specification for the Hunter Fan Windemere, Model No. 59039, accessed Feb. 8, 2017.  
<http://www.craftmade.com/Ellington-Fans-BEL52BNK3CRW-Nickel-Ceiling-Fan.HTM>, Item Specification for the Craftmade Beltre, Model No. BEL52BNK3CRW, accessed Feb. 8, 2017.  
[http://www.cudakitchen.com/42-inch-innes-i-i-fan-300130OBB?gclid=CjwKEAiAoOvEBRDD25uyu9Lg9ycSJAD0cnBysy76Tilm6Db3jKmCBKVNokXc7gBCJ\\_nN9S4K\\_pROSRoCzLLw?wcB](http://www.cudakitchen.com/42-inch-innes-i-i-fan-300130OBB?gclid=CjwKEAiAoOvEBRDD25uyu9Lg9ycSJAD0cnBysy76Tilm6Db3jKmCBKVNokXc7gBCJ_nN9S4K_pROSRoCzLLw?wcB), Item Specification for Kichler Innes, Model No. 3001300BB, accessed Feb. 8, 2017.  
<http://ceilingfans.emerson.com/shop/en/fan/midway-eco-fan-p-cf955>, Item Specification for the Emerson Midway Eco, Model No. CF955BS, accessed Feb. 8, 2017.  
<http://www.kingoffans.com/photos/manuals/176.pdf>, Item Specification for the King of Fans Windward, Model No. o4404, accessed Feb. 8, 2017.

\* cited by examiner



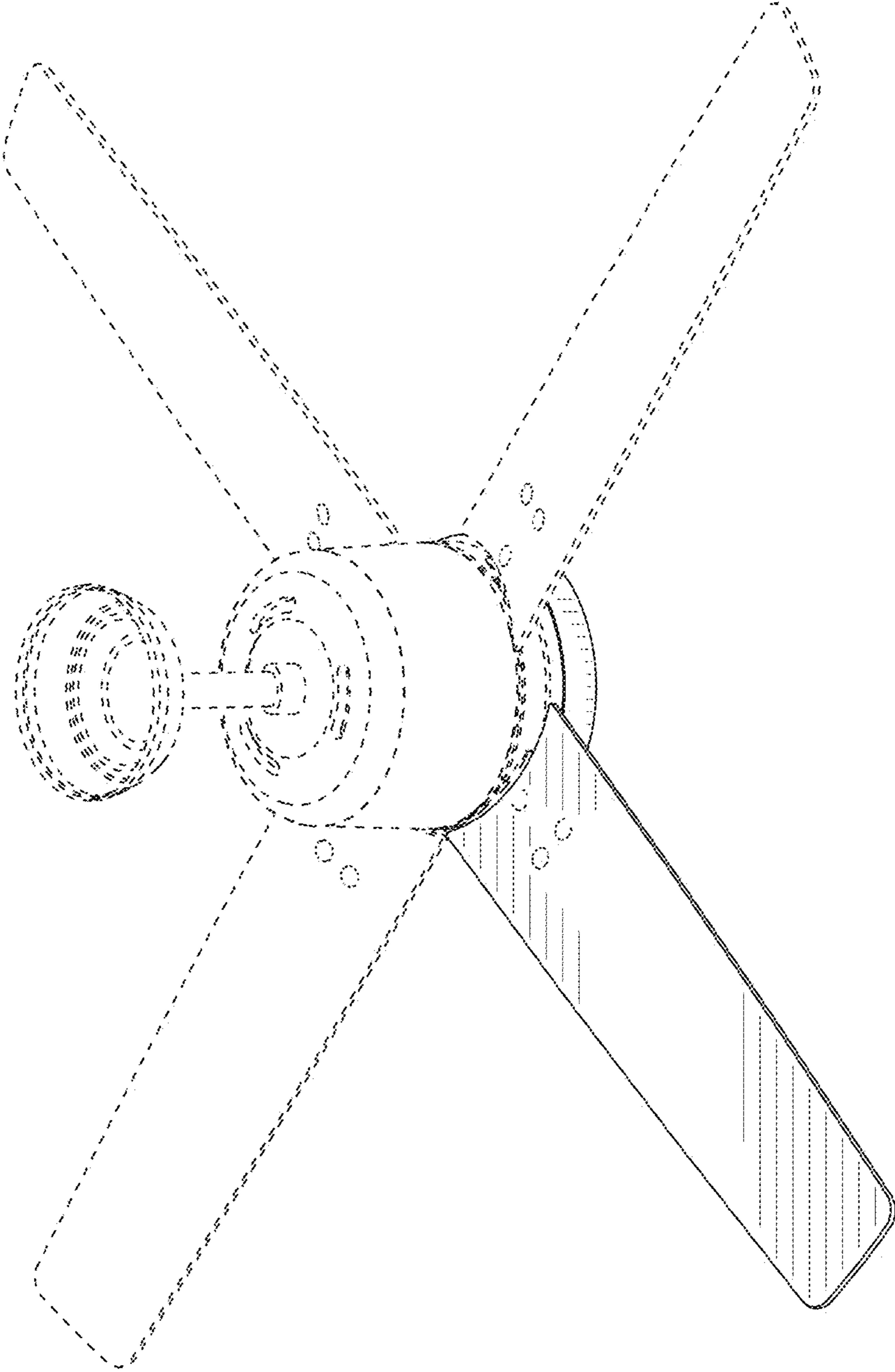


FIG. 1

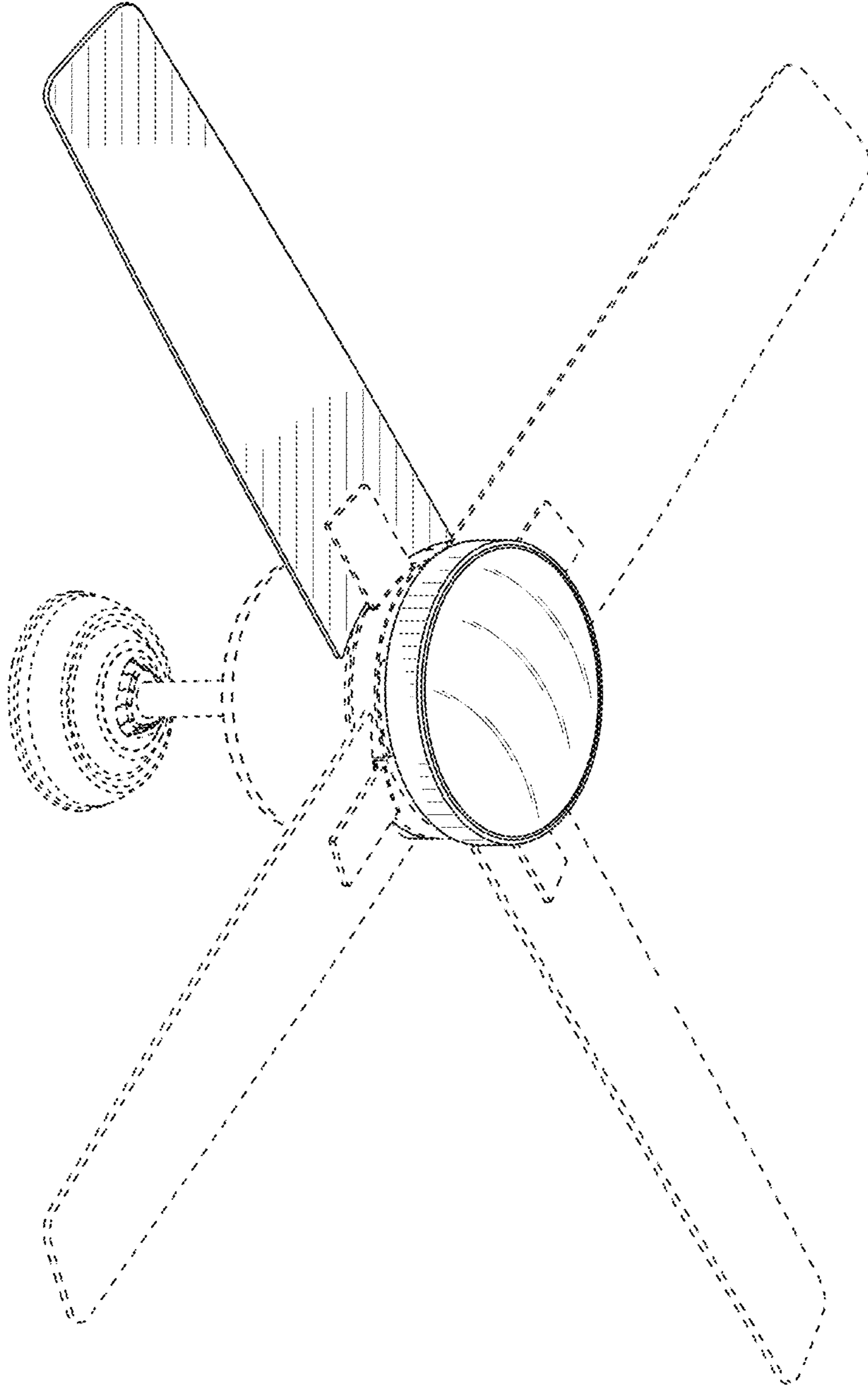


FIG. 2

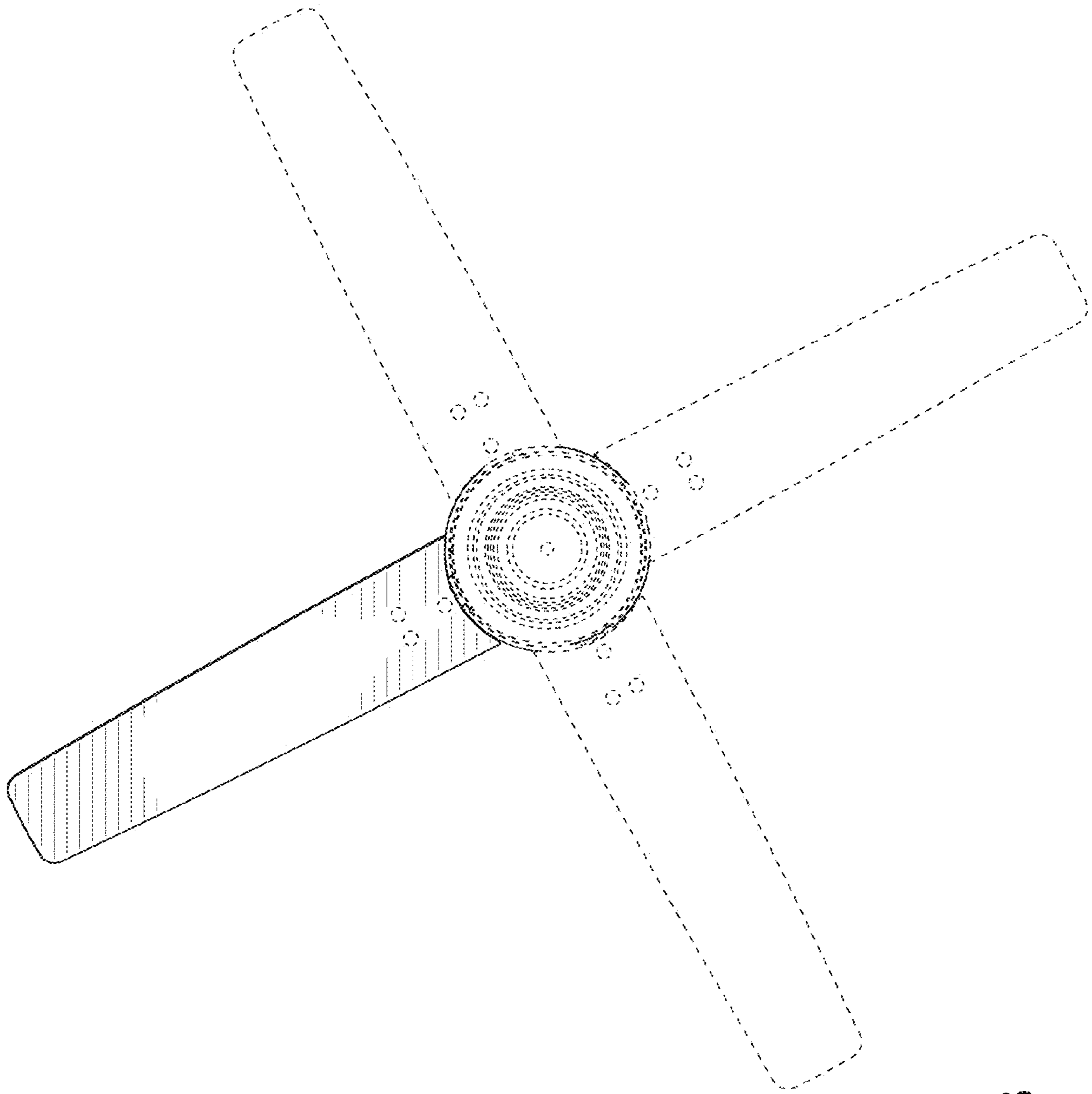


FIG. 3

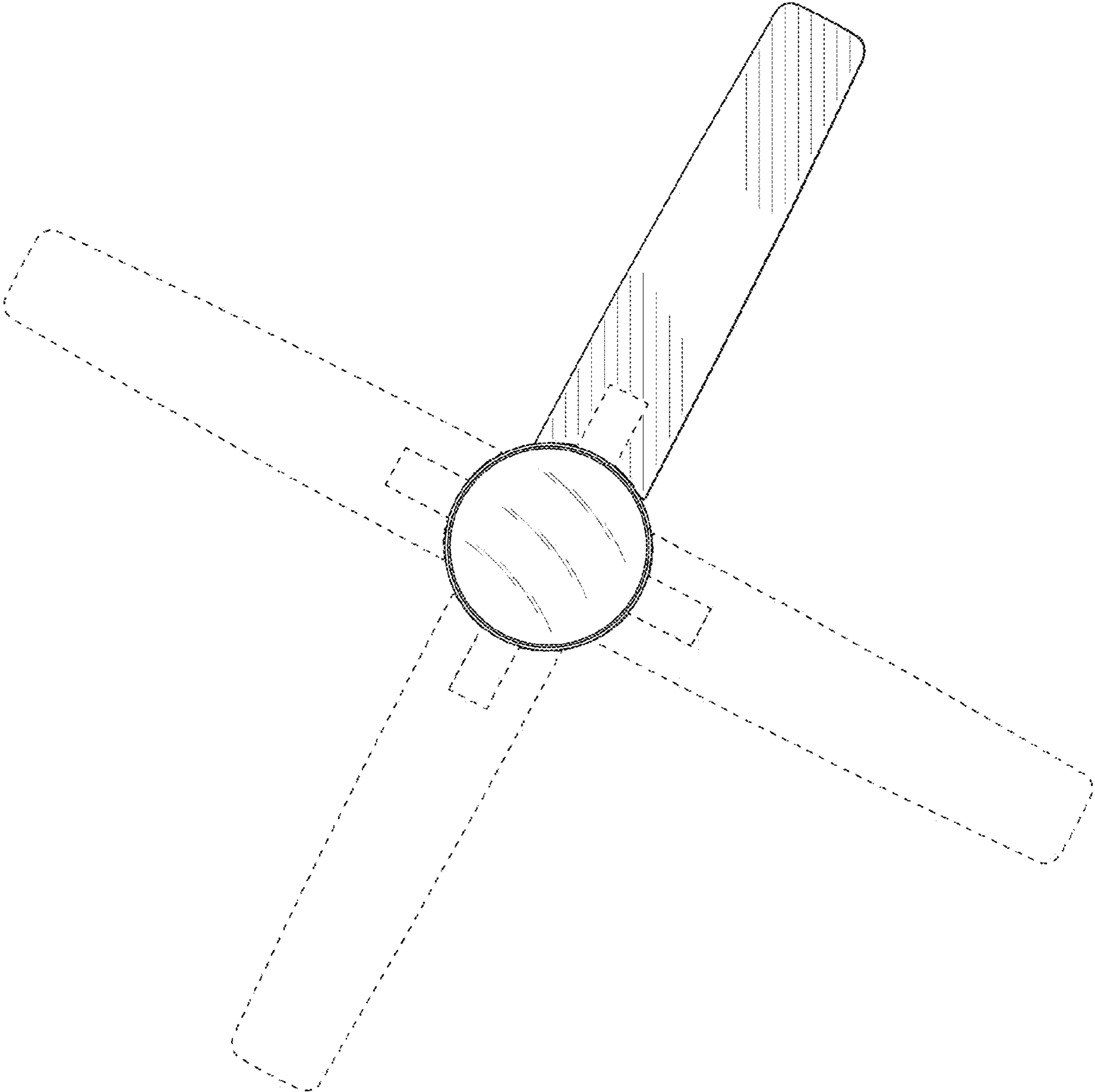


FIG. 4

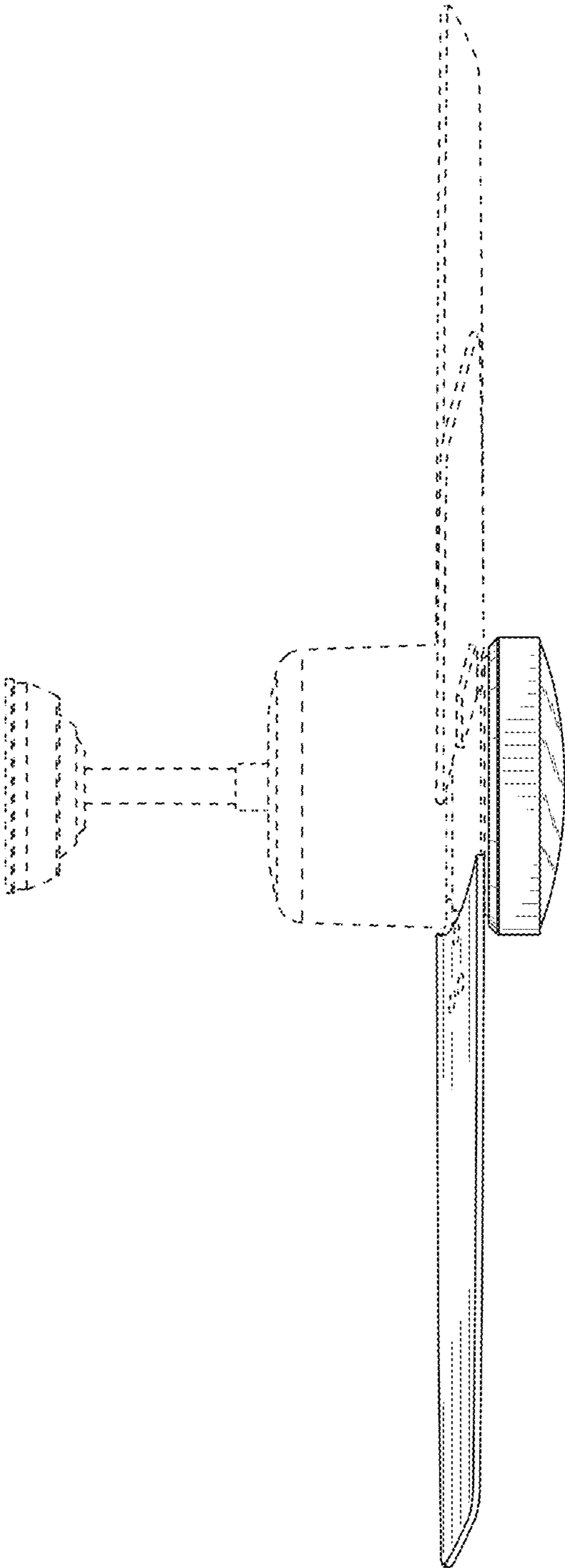


FIG. 5