



US00D969298S

(12) **United States Design Patent** (10) **Patent No.:** **US D969,298 S**
Eiffert et al. (45) **Date of Patent:** **** Nov. 8, 2022**

(54) **CEILING FAN**
(71) Applicant: **HUNTER FAN COMPANY**,
Memphis, TN (US)
(72) Inventors: **Ryan Lee Eiffert**, Memphis, TN (US);
Claire Bernice McRoberts, La Jolla,
CA (US)
(73) Assignee: **Hunter Fan Company**, Memphis, TN
(US)
(**) Term: **15 Years**

D799,665 S 10/2017 Wang
D804,011 S 11/2017 Holmes et al.
D804,631 S 12/2017 Holmes
D804,636 S 12/2017 Guthrie et al.
D804,637 S 12/2017 Holmes
D804,639 S * 12/2017 Guthrie D26/59
D810,919 S 2/2018 Haggar
D834,698 S 11/2018 Hildago
D844,770 S * 4/2019 Schulzman D26/59
D861,155 S * 9/2019 Badarello D23/411
D873,987 S 1/2020 Biancuzzo
D874,637 S * 2/2020 Haggar D23/411
(Continued)

(21) Appl. No.: **29/819,992**
(22) Filed: **Dec. 19, 2021**

Related U.S. Application Data

(63) Continuation of application No. 29/724,069, filed on
Feb. 12, 2020, now Pat. No. Des. 941,454.
(51) **LOC (13) Cl.** **23-04**
(52) **U.S. Cl.**
USPC **D23/377**; D23/411; D26/59
(58) **Field of Classification Search**
USPC D23/370, 377, 385, 411; D26/59
CPC F04D 29/703; F04D 29/34; F04D 25/088;
F04D 25/08; F04D 25/388
See application file for complete search history.

(56) **References Cited**

U.S. PATENT DOCUMENTS

D312,139 S * 11/1990 Wang D26/88
D328,491 S * 8/1992 Markwardt D26/85
D489,810 S 5/2004 Burns
D567,421 S 4/2008 Pan
D628,688 S * 12/2010 Pan D23/377
D772,393 S * 11/2016 Wang D23/413
D782,644 S 3/2017 Wang
D794,768 S * 8/2017 Wang D23/377
D798,431 S 9/2017 McRoberts

OTHER PUBLICATIONS

<https://www.hunterfan.com/ceiling-fans/bennett-with-3-lights-52-inch-fan788>, Hunter Fan Bennett 52 Inch Ceiling Fan in Brushed Nickel with 3 Lights, Item No. 54190, accessed Jan. 9, 2019.

(Continued)

Primary Examiner — Janice Hallmark
(74) *Attorney, Agent, or Firm* — McGarry Bair PC

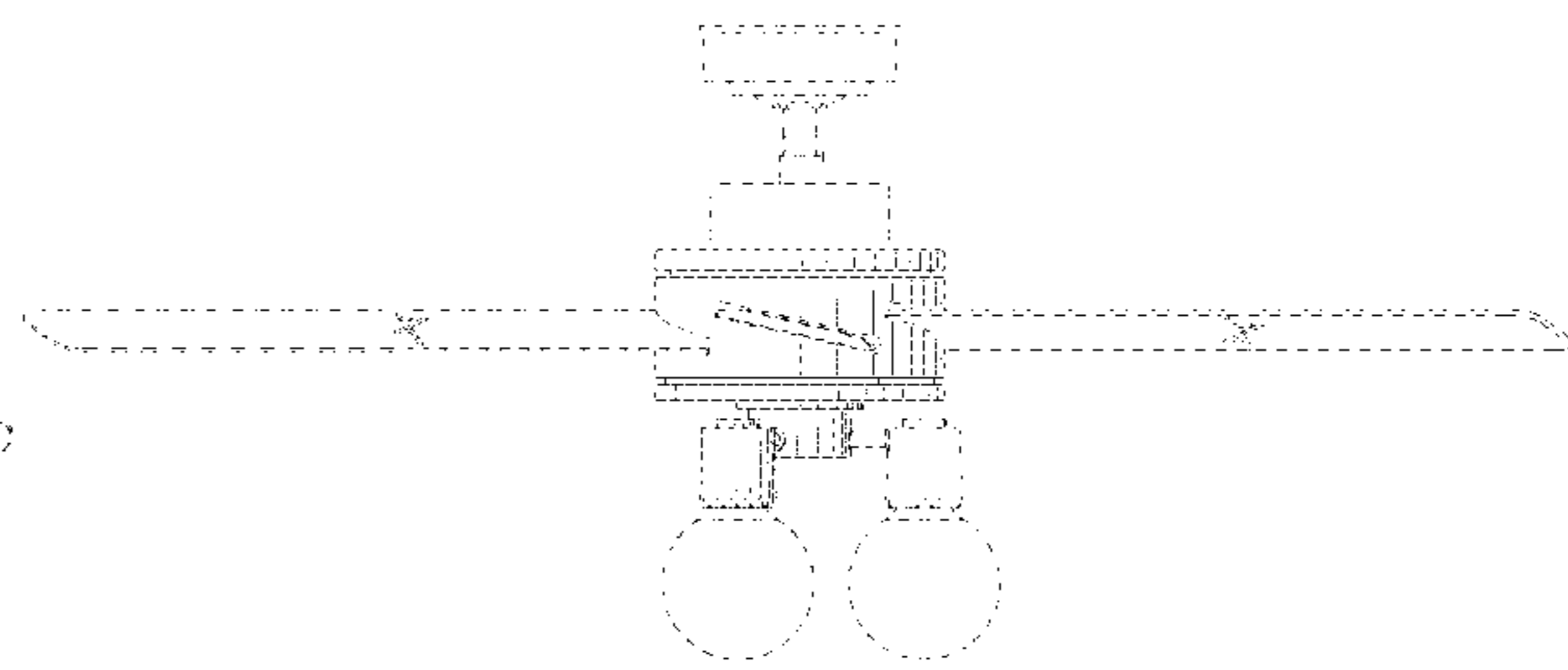
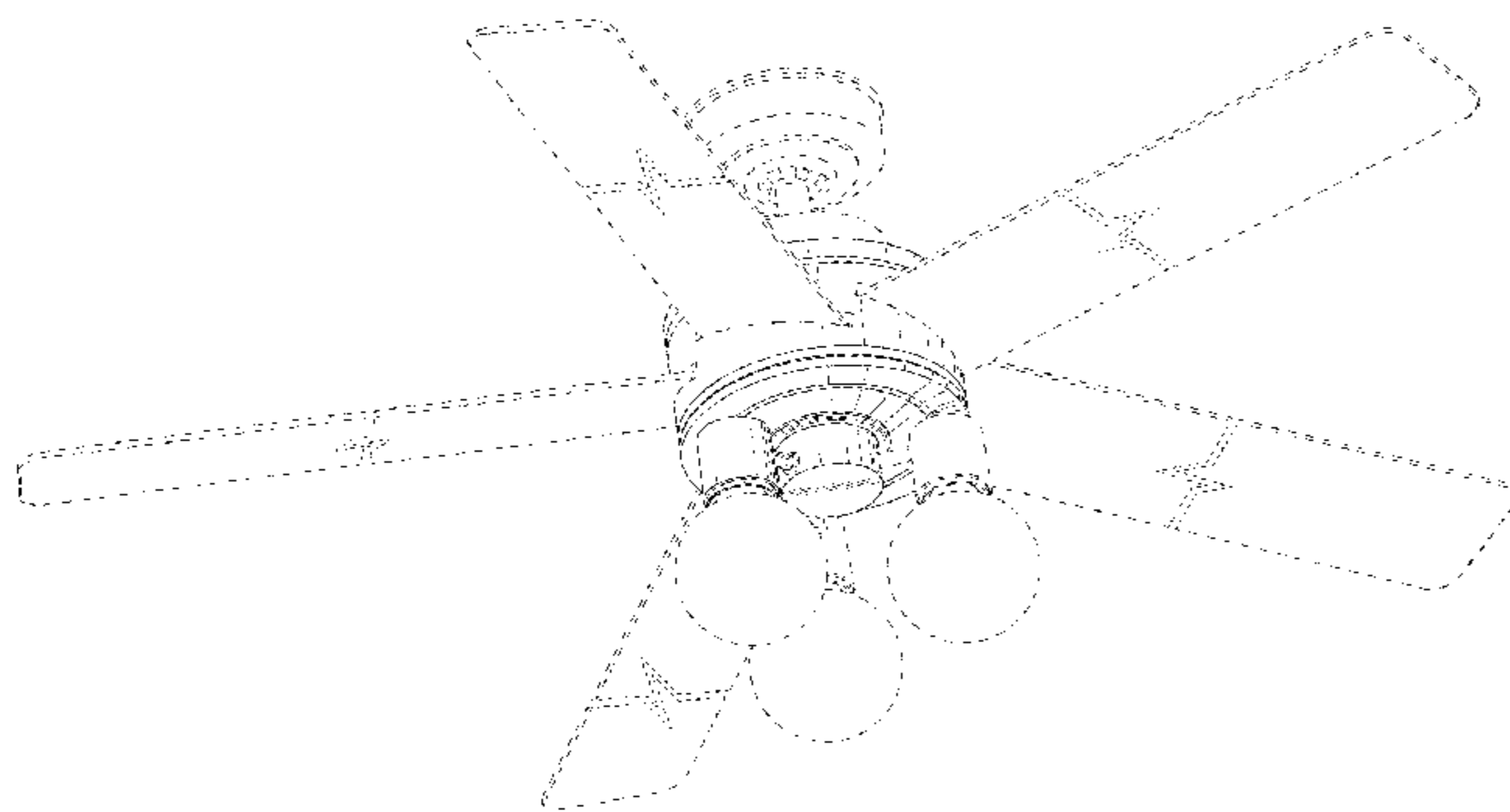
(57) **CLAIM**

The ornamental design for a ceiling fan, as shown and described.

DESCRIPTION

FIG. 1 is a top perspective view of a ceiling fan, showing our new design;
FIG. 2 is a bottom perspective view thereof;
FIG. 3 is a top view thereof;
FIG. 4 is a bottom view thereof;
FIG. 5 is a front view thereof;
FIG. 6 is a rear view thereof;
FIG. 7 is a right side view thereof; and,
FIG. 8 is a left side view thereof.
Portions of the ceiling fan shown in broken lines form no part of the claimed design.

1 Claim, 8 Drawing Sheets



(56)

References Cited

U.S. PATENT DOCUMENTS

D875,980 S 2/2020 Patrick
 D876,697 S 2/2020 McRoberts
 D877,314 S * 3/2020 Holmes D23/411
 D888,221 S 6/2020 Patrick
 D894,364 S 8/2020 Schulzman
 D894,457 S 8/2020 McRoberts
 D898,182 S * 10/2020 Zhang D23/411
 D918,376 S 5/2021 Schulzman
 D920,499 S * 5/2021 Holmes D26/59
 D921,880 S 6/2021 Haggar
 D933,193 S * 10/2021 Haggar D26/59
 D933,806 S * 10/2021 Haggar D23/377
 D941,453 S * 1/2022 Eiffert D23/377
 D941,454 S * 1/2022 Eiffert D23/377
 D946,741 S * 3/2022 Martell D23/377
 D948,700 S * 4/2022 McRoberts D26/59
 D949,448 S * 4/2022 Guthrie D26/59
 D950,040 S * 4/2022 Hidalgo D23/411
 D952,119 S * 5/2022 McRoberts D23/377
 D952,126 S * 5/2022 Schulzman D23/411
 D954,250 S * 6/2022 Holmes D23/411
 D957,616 S * 7/2022 Dalton D26/59

OTHER PUBLICATIONS

<https://www.amazon.com/dp/B00IRQU0ZO/?tag=dikbuy-20>, Craftmade Trenton 54" Ceiling Fan with Butcher Block Blades and Exposed Bulb Glass, Model No. TRE54PT5, accessed Jan. 9, 2019.
<https://www.hunterfan.com/ceiling-fans/devon-park-with-led-light-52-inch-famc45>, Hunter Fan Devon Park 52 Inch Ceiling Fan in Brushed Nickel with LED Light, Item No. 50604, accessed Jan. 9, 2019.
<https://www.minkagroup.net/f852l-hbz.html>, Minka Alva 56" Ceiling Fan with LED light in Heirloom Bronze Finish with Aged Boardwalk Blades, Model No. F852L-HBZ, accessed Jan. 9, 2019.
<https://www.hunterfan.com/ceiling-fans/crestfield-low-profile-with-3-led-lights-52-inch-fam839>, Hunter Fan 52" Crestfield Low Profile Ceiling Fan in Brushed Nickel with 3 LED Lights, Item No. 54209, accessed Jan. 9, 2019.
https://quoruminternational.com/search_individual_result.asp?current=895555&page=1, Quorum International Breeze 4LT Ceiling Fan Uni-Pack, Item No. 70525-469, accessed Jan. 9, 2019.
<https://www.homedepot.com/p/Hampton-Bay-Ellijay-52-in-Indoor-Outdoor-Natural-Iron-Ceiling-Fan-with-Light-Kit-YG205-NI/202549824>, Hampton Bay Ellijay 52 in. Indoor/Outdoor Natural Iron Ceiling Fan with Light Kit, Model No. YG205-NI, accessed Jan. 9, 2019.

* cited by examiner

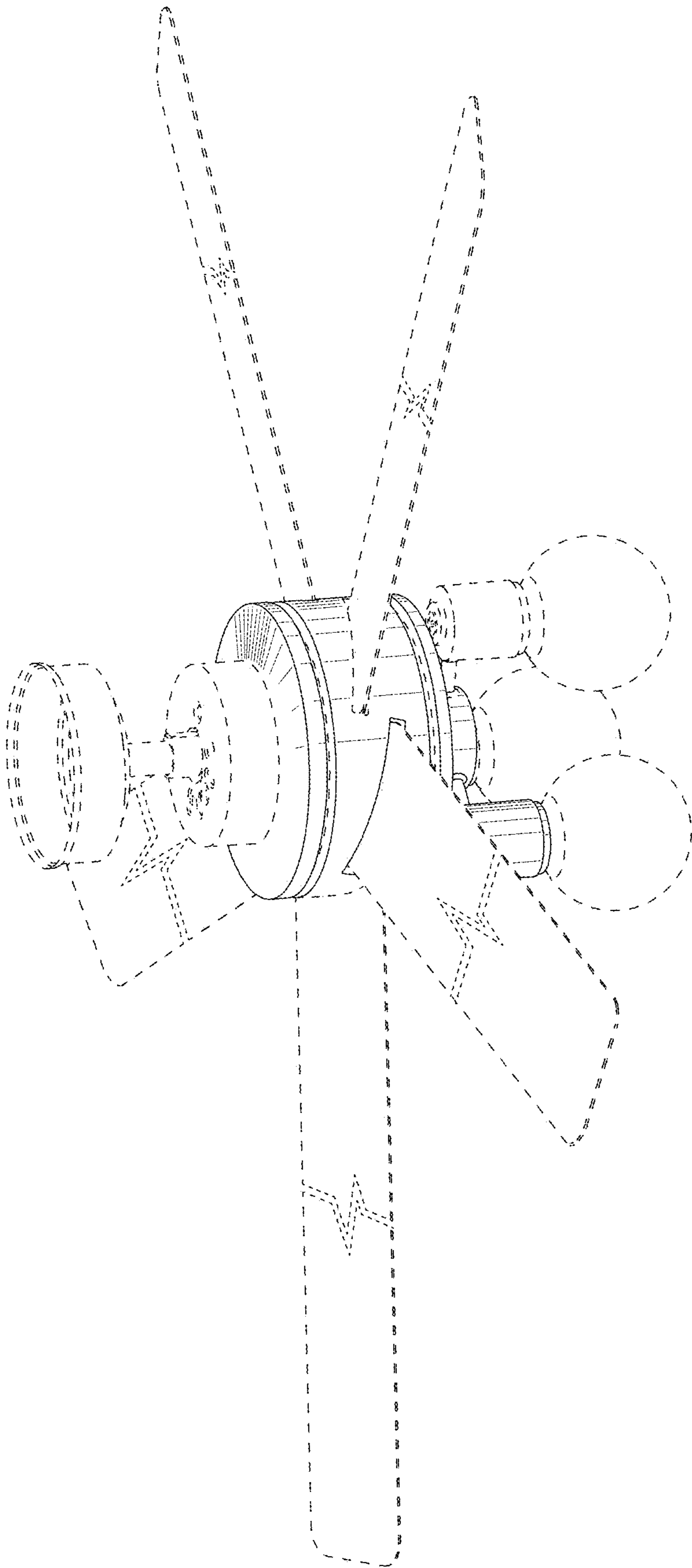


FIG. 1

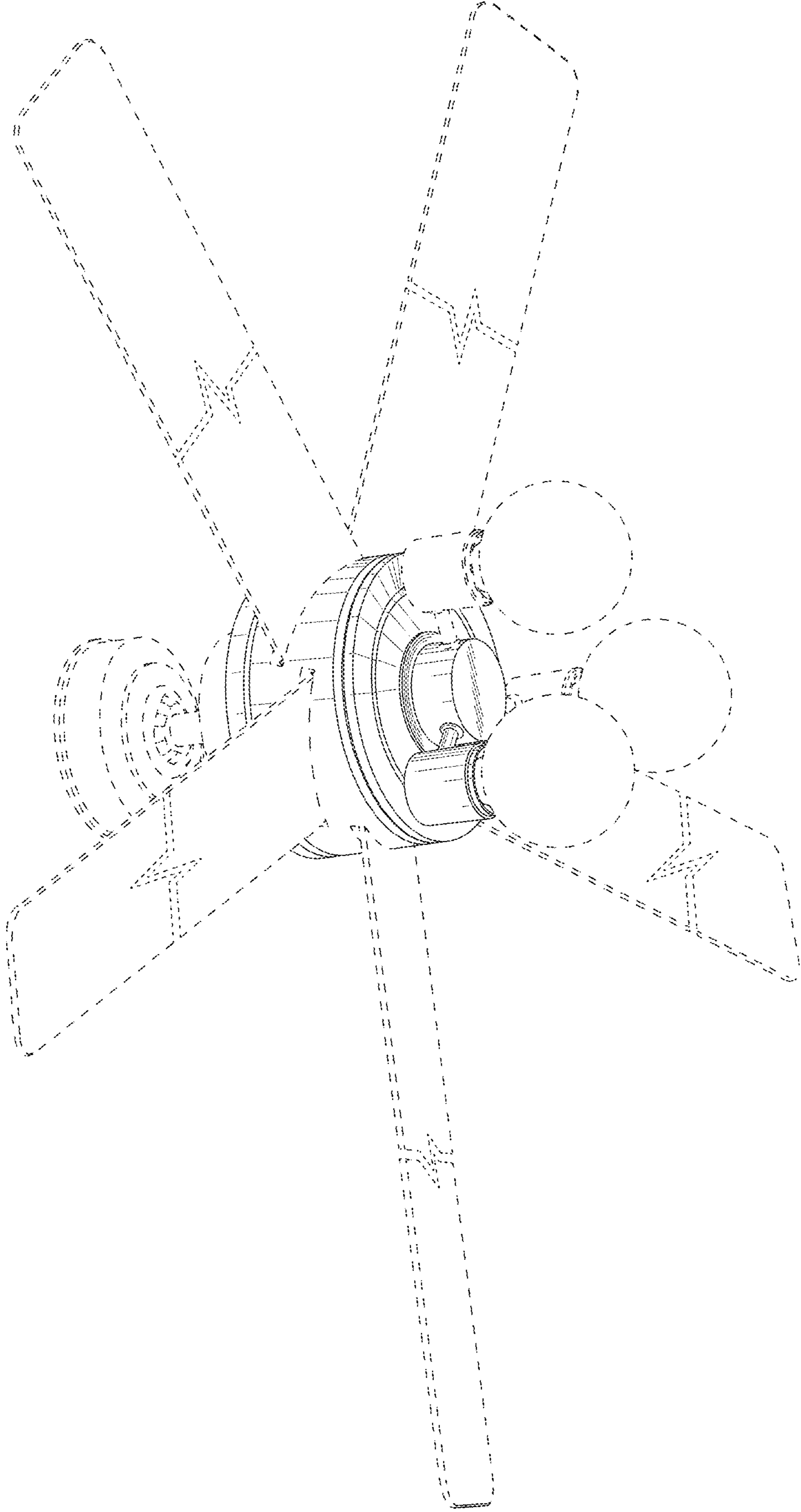


FIG. 2

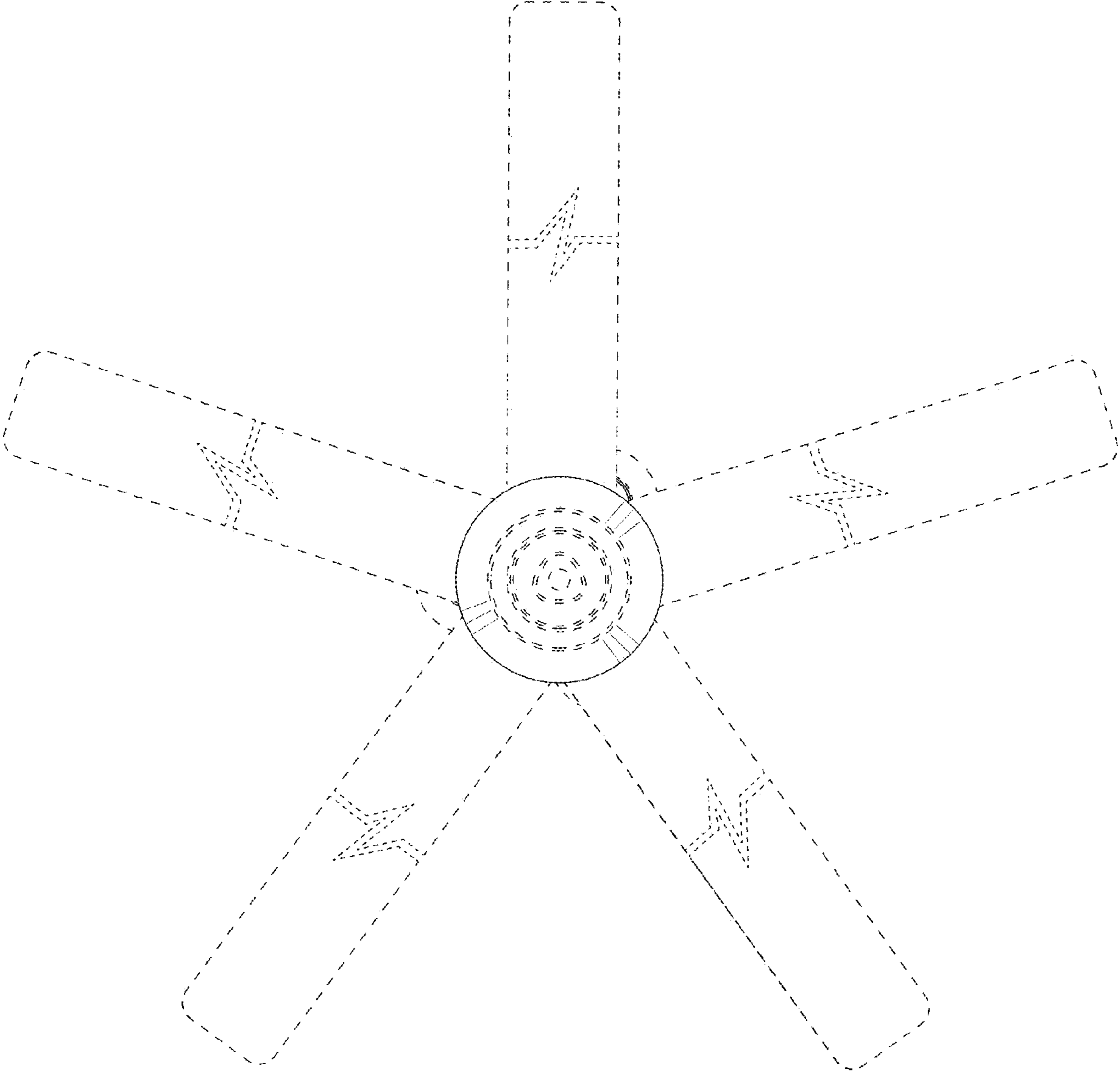


FIG. 3

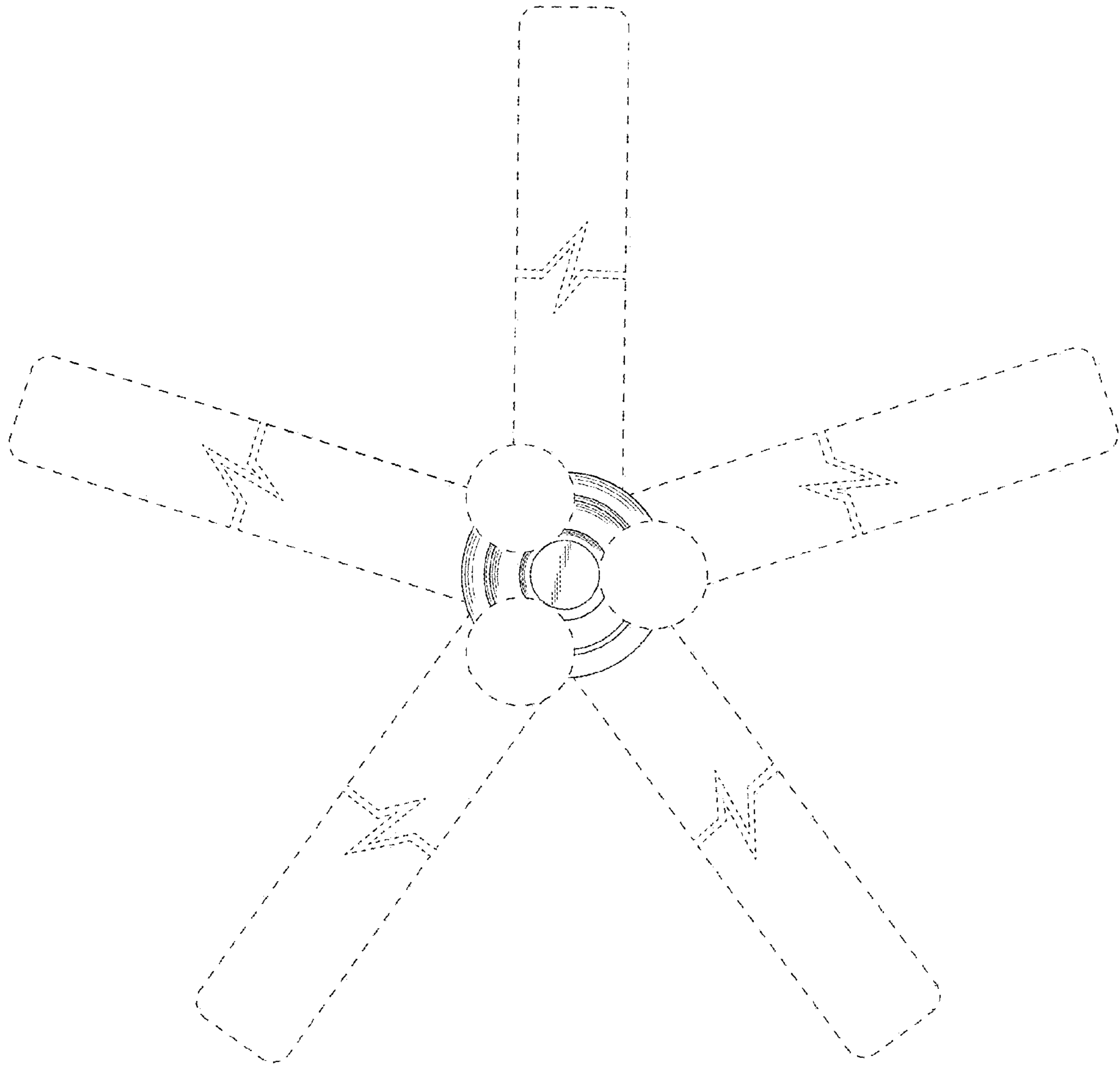


FIG. 4

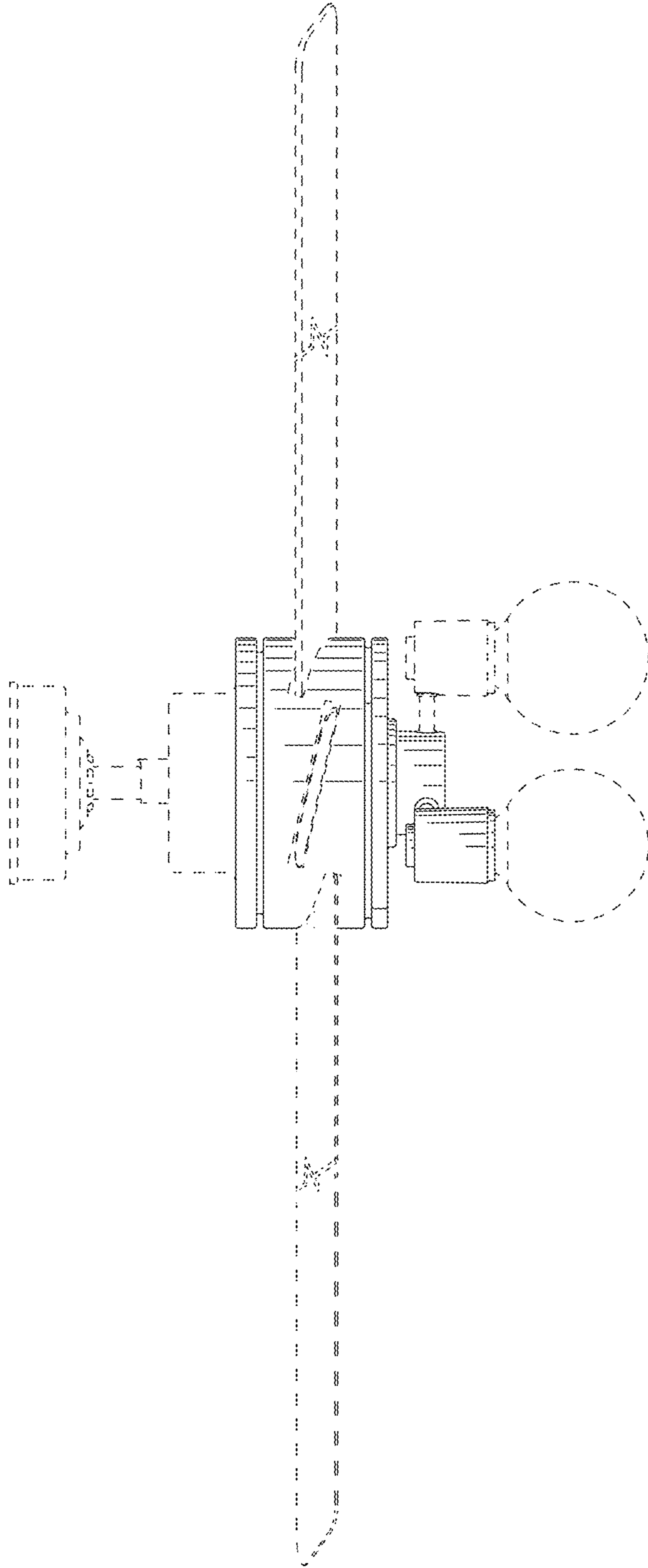


FIG. 5

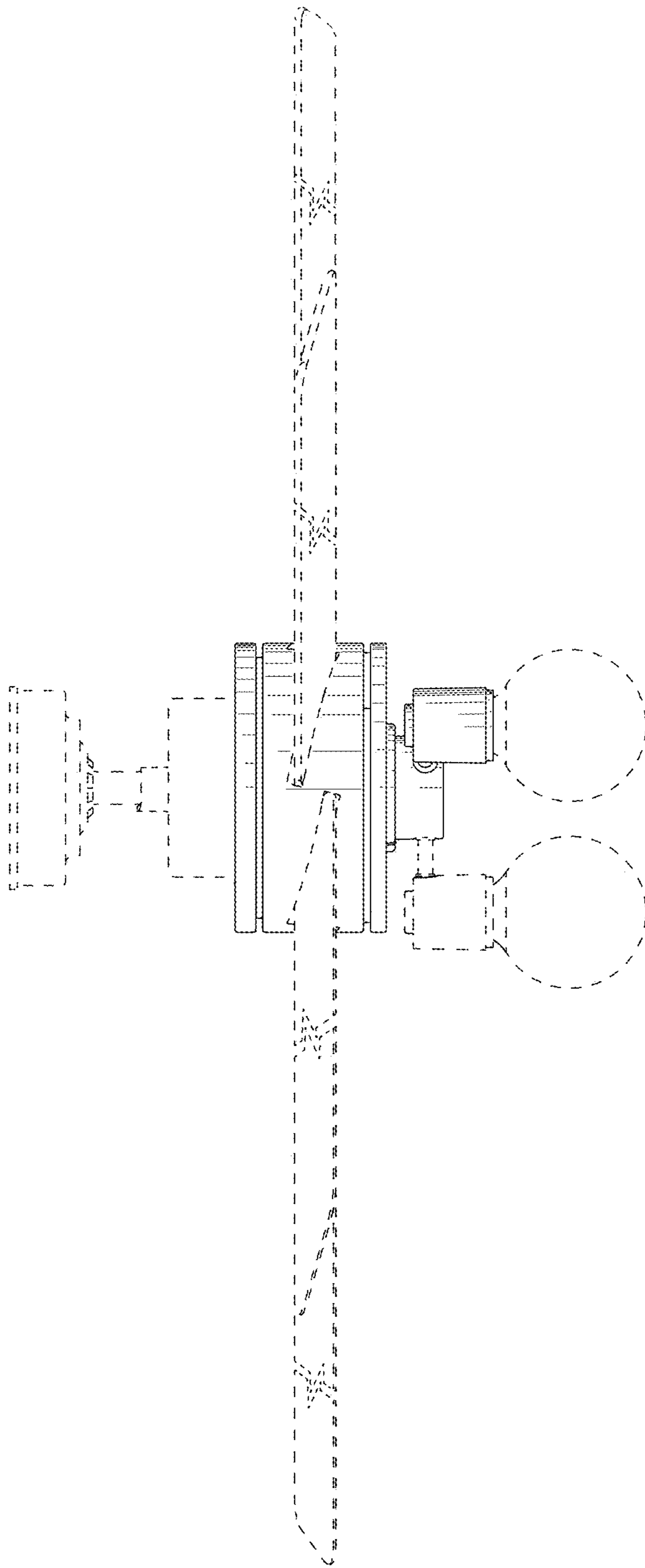


FIG. 6

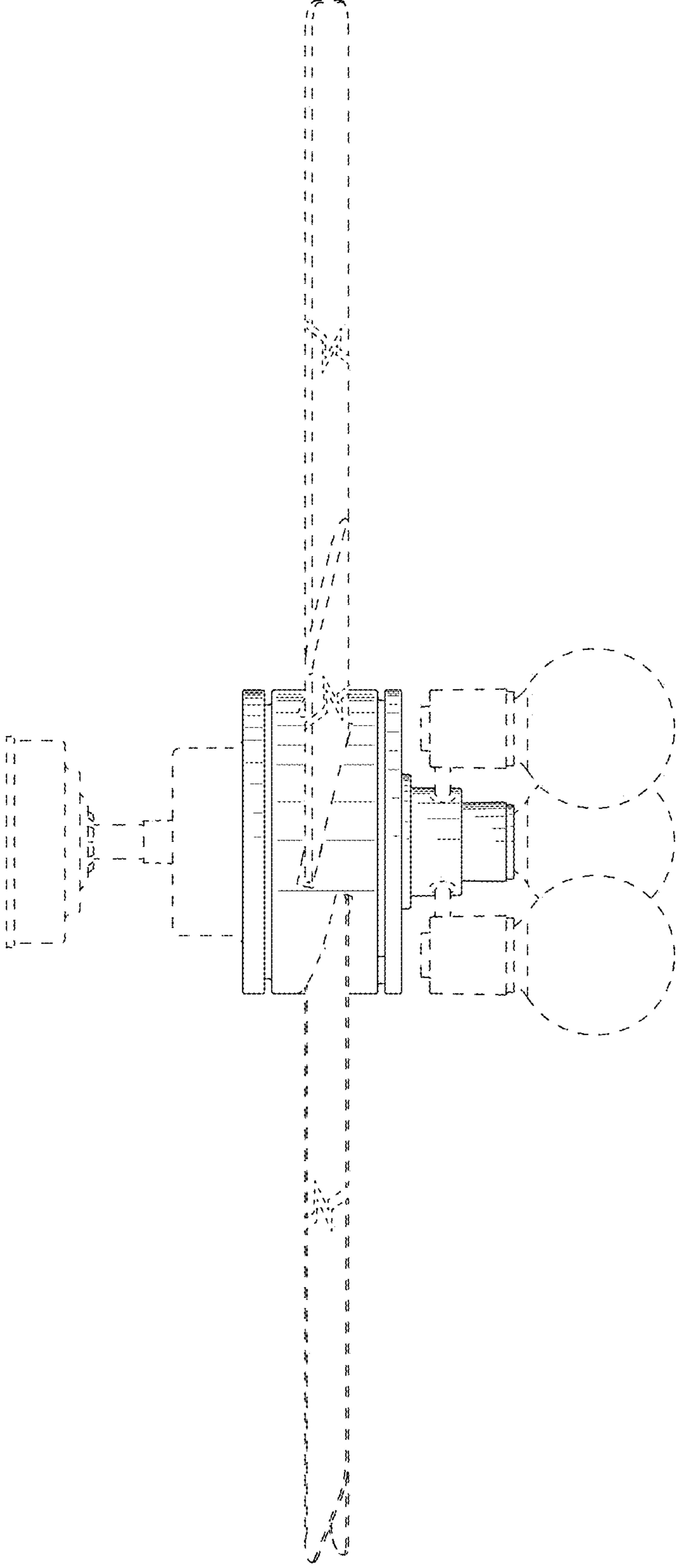


FIG. 7

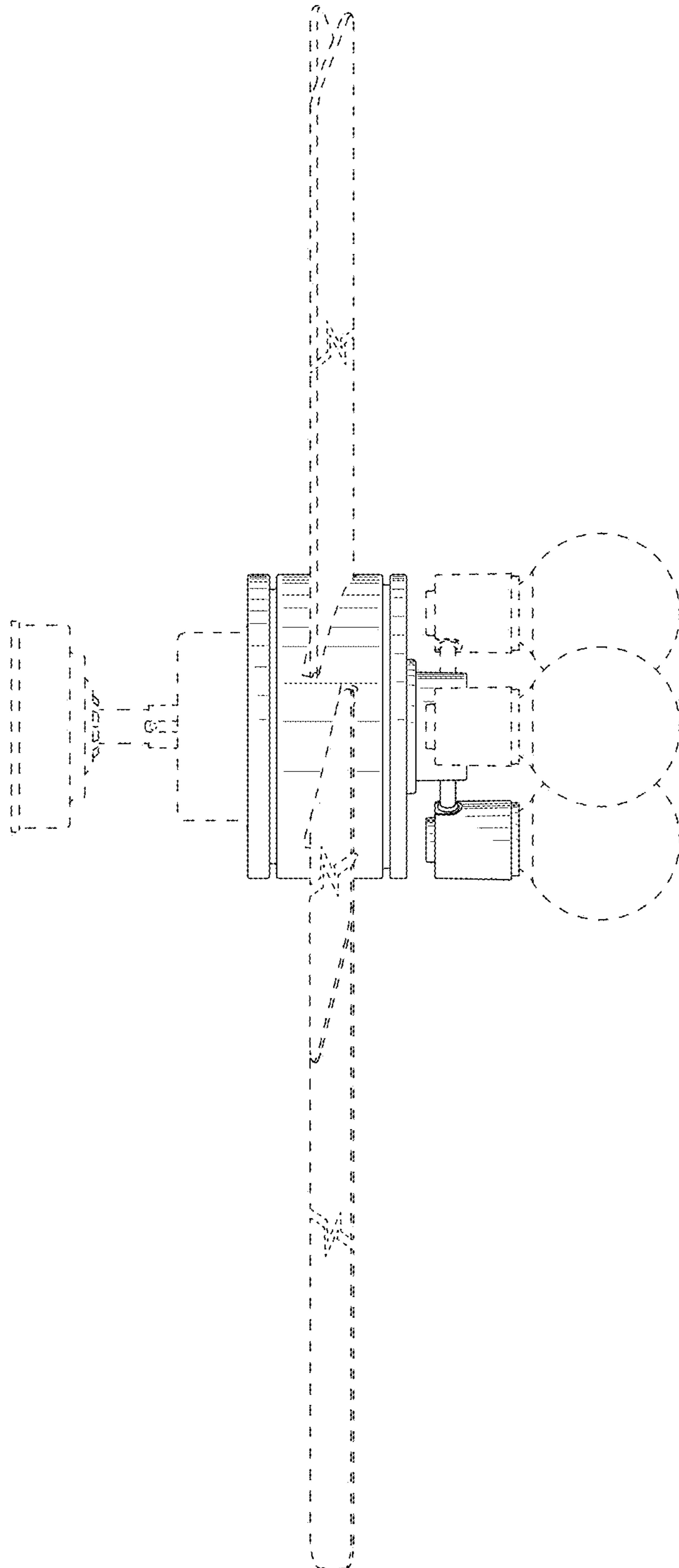


FIG. 8