

US00D969296S

(12) **United States Design Patent** (10) **Patent No.:** **US D969,296 S**  
**Williams** (45) **Date of Patent:** **\*\* Nov. 8, 2022**

(54) **CEILING FAN**  
(71) Applicant: **Kichler Lighting LLC**, Cleveland, OH (US)  
(72) Inventor: **Scott Williams**, Brookpark, OH (US)  
(73) Assignee: **Kichler Lighting LLC**, Cleveland, OH (US)  
(\*\*) Term: **15 Years**  
(21) Appl. No.: **29/811,313**  
(22) Filed: **Oct. 13, 2021**

D800,291 S \* 10/2017 Wang ..... D23/385  
D842,447 S \* 3/2019 Horng ..... D23/377  
D858,735 S \* 9/2019 Wang ..... D23/377  
D890,909 S \* 7/2020 Streng ..... D23/377  
D907,756 S \* 1/2021 Birchler ..... D23/377  
D940,293 S \* 1/2022 Yao ..... D23/377  
D940,847 S \* 1/2022 Wang ..... D23/377  
2011/0165002 A1\* 7/2011 Noble ..... F04D 25/068  
416/1  
2012/0313553 A1\* 12/2012 Ko ..... F21V 3/00  
362/294  
2013/0189109 A1\* 7/2013 Noble ..... F01D 5/02  
416/219 R  
2017/0370366 A1\* 12/2017 Johnson ..... F04D 27/004  
2021/0048039 A1\* 2/2021 Allen ..... H02K 7/14  
2021/0388844 A1\* 12/2021 Rhoades ..... F21V 33/0096

\* cited by examiner

**Related U.S. Application Data**

(63) Continuation of application No. 29/664,957, filed on Sep. 28, 2018, now Pat. No. Des. 936,812.  
(51) **LOC (13) Cl.** ..... **23-04**  
(52) **U.S. Cl.**  
USPC ..... **D23/377**  
(58) **Field of Classification Search**  
USPC ..... D23/370, 377, 379, 385, 411-414;  
D26/59  
CPC ..... F04D 25/088; F04D 29/38; F04D 29/384;  
F04D 29/386; F21V 33/0096  
See application file for complete search history.

*Primary Examiner* — Sharon S Oum

(74) *Attorney, Agent, or Firm* — Brooks Kushman P.C.

(57) **CLAIM**

I claim the ornamental design for a ceiling fan, as shown and described.

**DESCRIPTION**

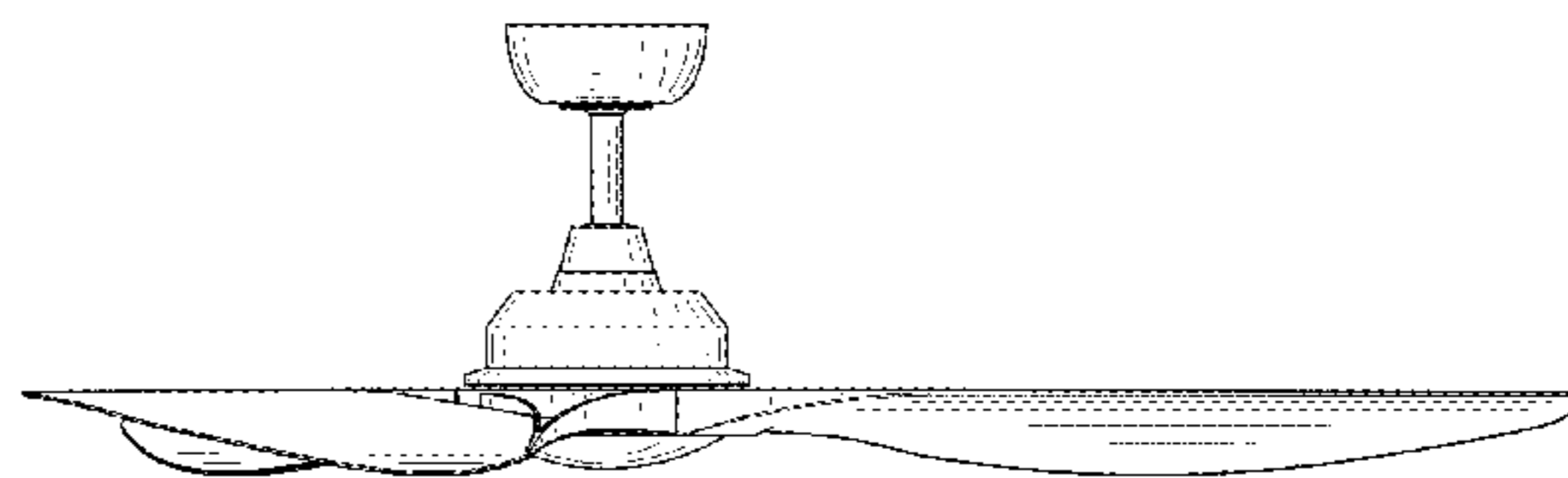
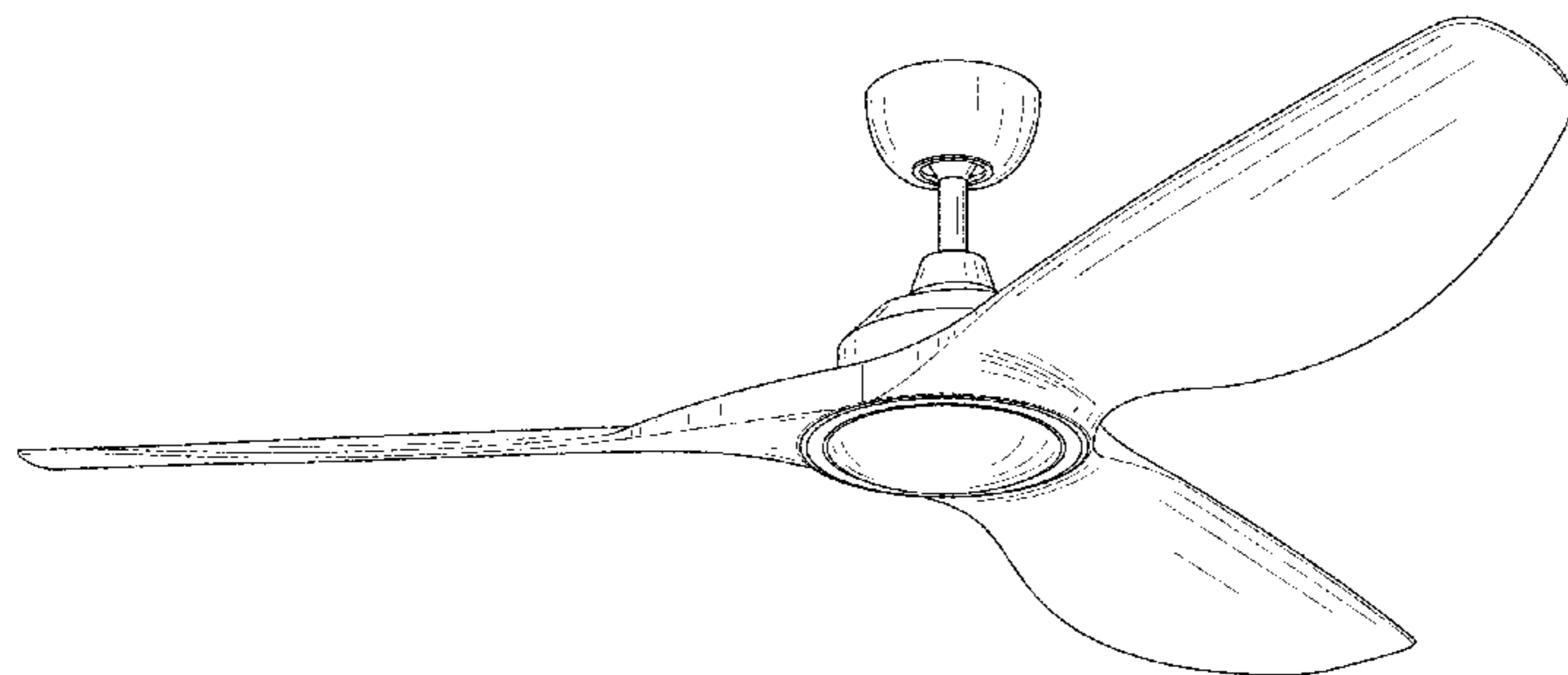
FIG. 1 is a bottom perspective view of a ceiling fan showing my new design.  
FIG. 2 is a top perspective view of the ceiling fan of FIG. 1.  
FIG. 3 is a top plan view of the ceiling fan of FIG. 1.  
FIG. 4 is a bottom plan view of the ceiling fan of FIG. 1.  
FIG. 5 is a side elevation view of the ceiling fan of FIG. 1.  
FIG. 6 is another side elevation view of the ceiling fan of FIG. 1; and,  
FIG. 7 is a plan view of a fan blade of the ceiling fan of FIG. 1 shown separately for completeness of illustration.  
The broken lines on the drawings depict portions of the ceiling fan that form no part of the claimed design.

(56) **References Cited**

**U.S. PATENT DOCUMENTS**

D596,733 S \* 7/2009 Kihara ..... D23/377  
D612,476 S \* 3/2010 Noble ..... D23/377  
D614,757 S \* 4/2010 Noble ..... D23/377  
D690,409 S \* 9/2013 Noble ..... D23/379  
D741,988 S \* 10/2015 Pan ..... D23/377  
D762,296 S \* 7/2016 Badarello ..... D23/377  
D770,027 S \* 10/2016 Noble ..... D23/385  
D798,433 S \* 9/2017 Badarello ..... D23/413

**1 Claim, 6 Drawing Sheets**



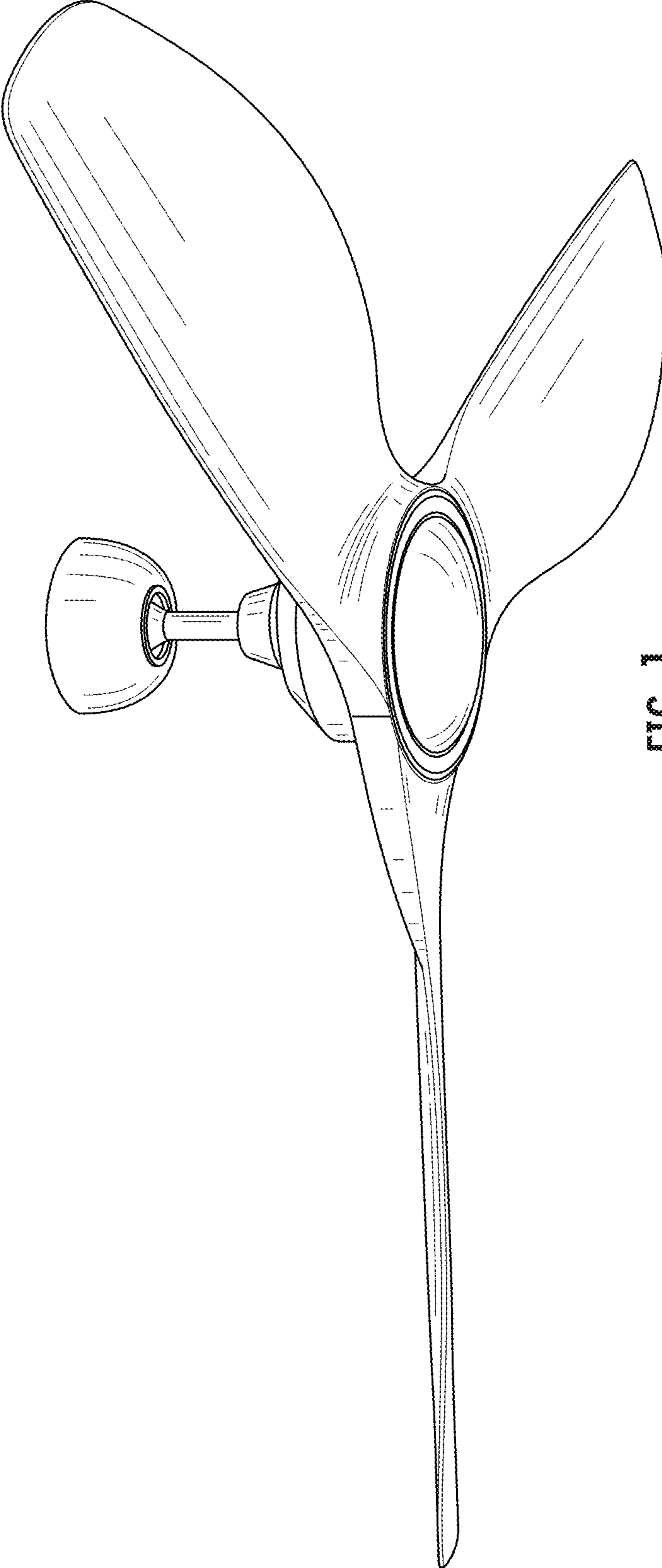


FIG. 1

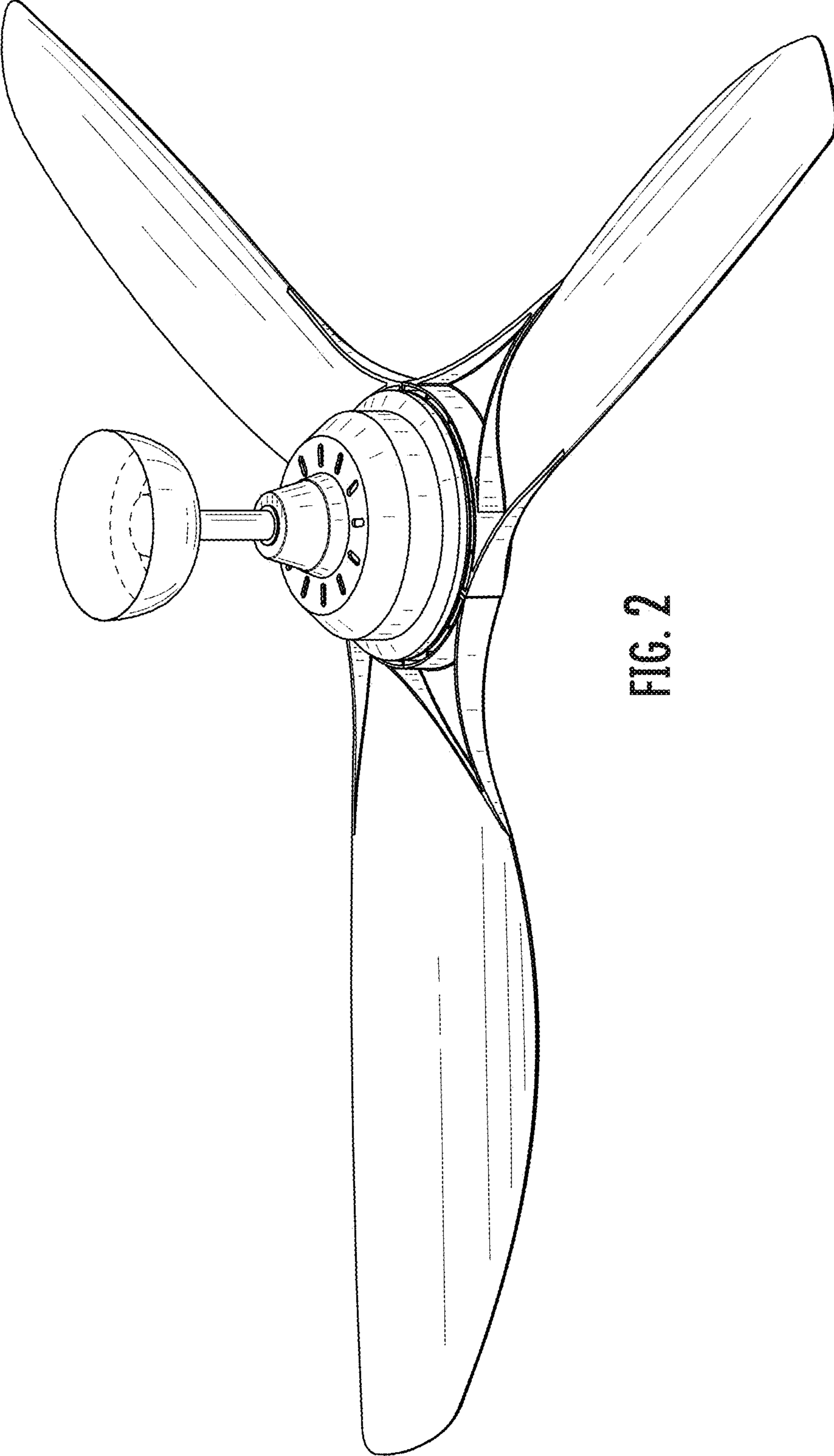


FIG. 2

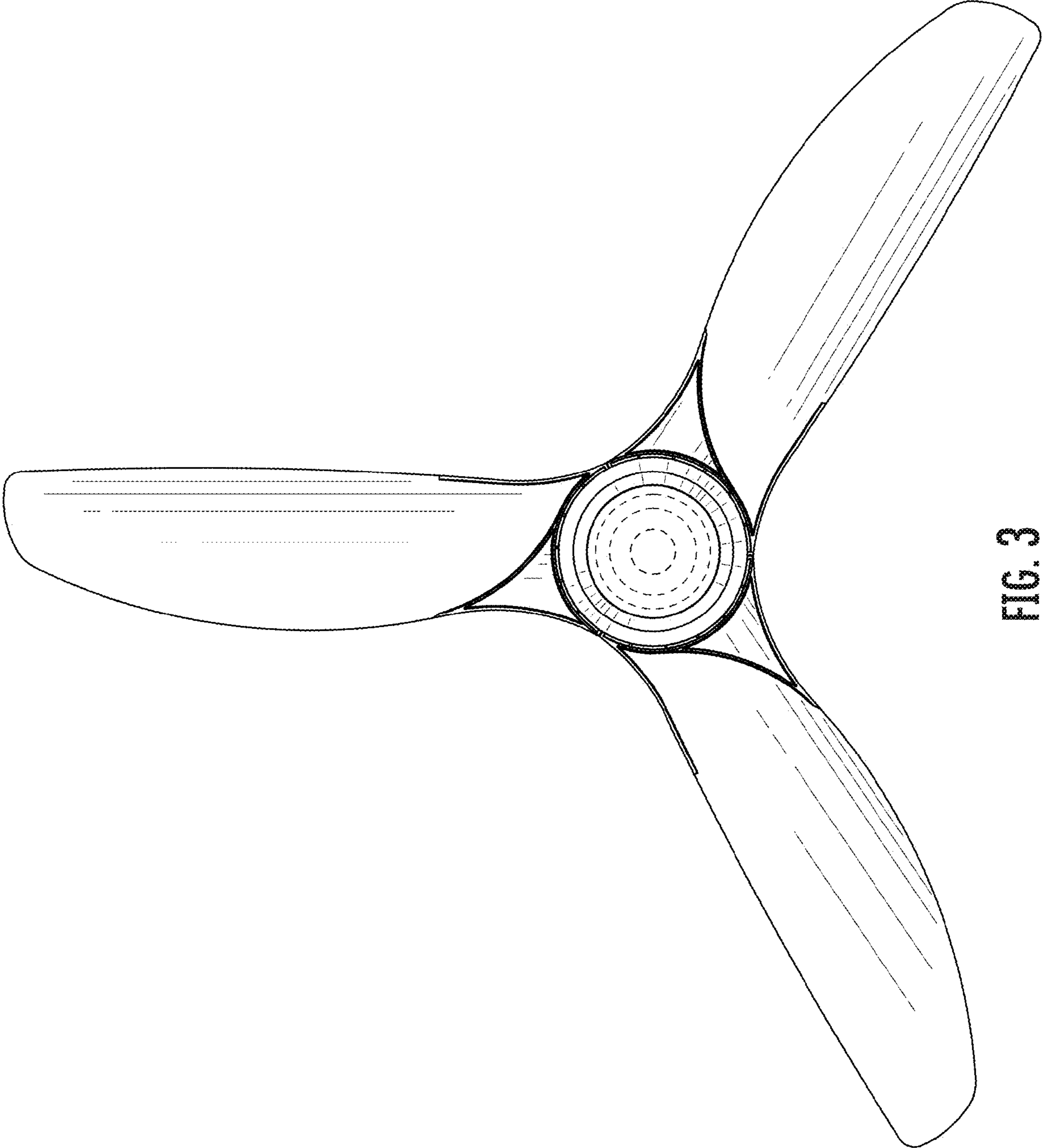


FIG. 3

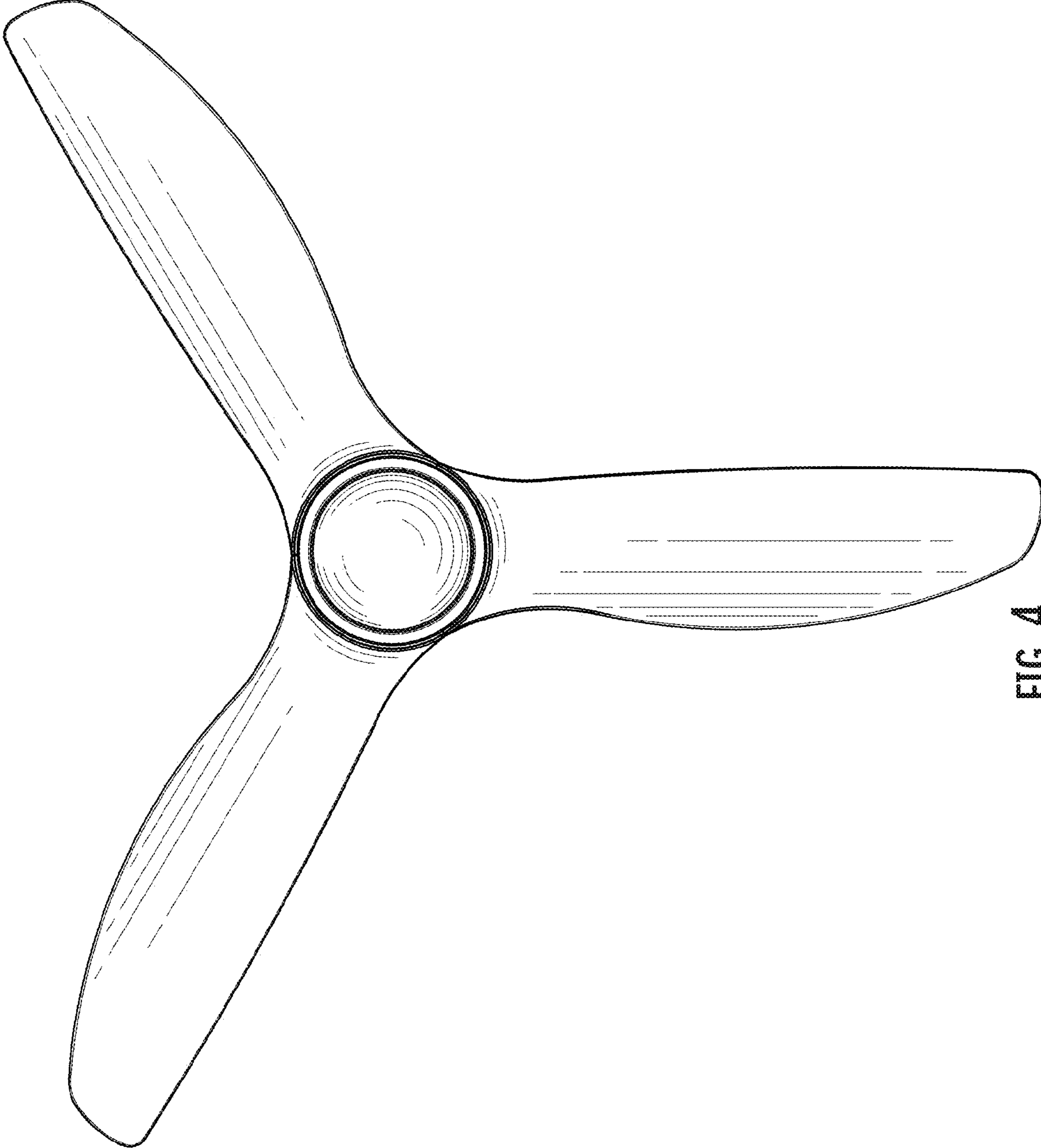


FIG. 4

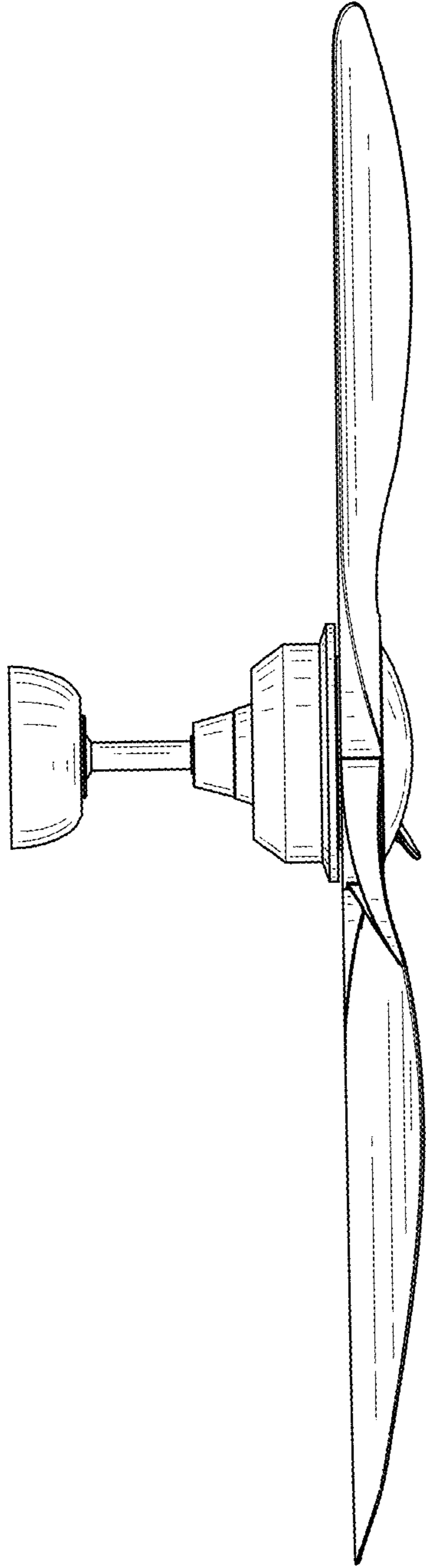


FIG. 5

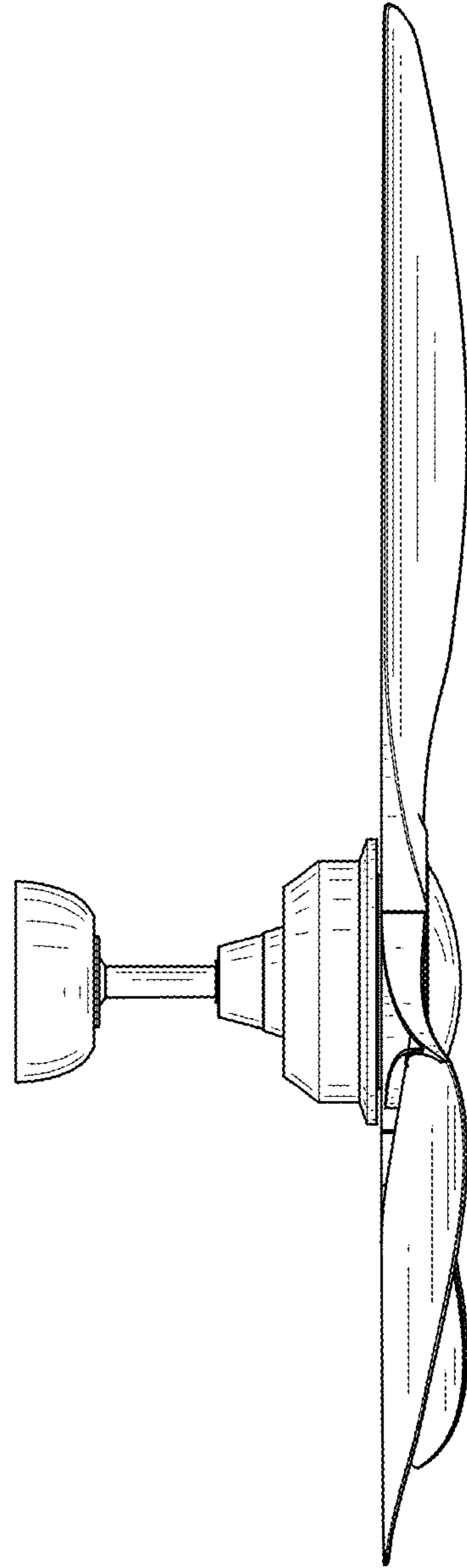


FIG. 6

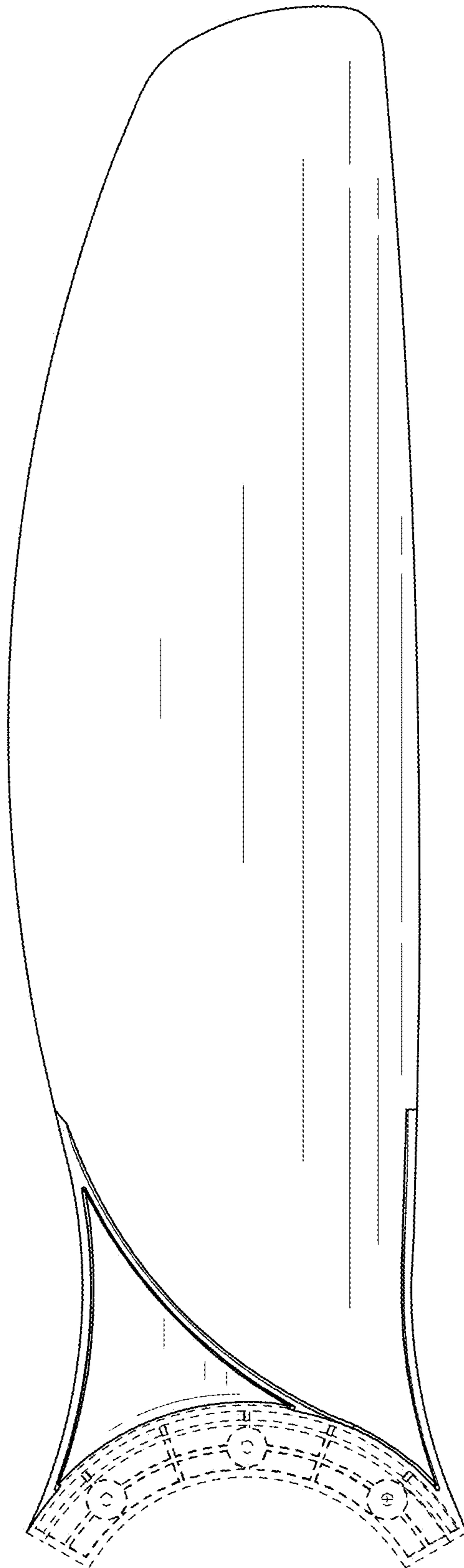


FIG. 7