



US00D969295S

(12) **United States Design Patent** (10) **Patent No.:** **US D969,295 S**
Holmes Bradley (45) **Date of Patent:** **** Nov. 8, 2022**

- (54) **CEILING FAN**
- (71) Applicant: **Hunter Fan Company**, Memphis, TN (US)
- (72) Inventor: **Christine Marie Holmes Bradley**, Memphis, TN (US)
- (73) Assignee: **Hunter Fan Company**, Memphis, TN (US)
- (**) Term: **15 Years**
- (21) Appl. No.: **29/750,427**
- (22) Filed: **Sep. 14, 2020**
- (51) **LOC (13) Cl.** **23-04**
- (52) **U.S. Cl.**
USPC **D23/377**
- (58) **Field of Classification Search**
USPC D23/370, 377, 379, 385, 411–414;
D26/59
CPC F04D 25/088; F04D 29/38; F04D 29/384;
F04D 29/386; F21V 33/0096
See application file for complete search history.

(56) **References Cited**

U.S. PATENT DOCUMENTS

| | | | |
|---------------|---------|---------------|-------------------------|
| D270,563 S | 9/1983 | Phillips | |
| 5,975,848 A * | 11/1999 | Yu | F21V 33/0096 416/171 |
| D430,930 S | 9/2000 | Zuege | |
| D437,046 S | 1/2001 | Tsuji | |
| D481,453 S * | 10/2003 | Dye | D23/377 |
| D485,348 S * | 1/2004 | Stauffer | D23/411 |
| D485,349 S | 1/2004 | Burns | |
| D536,085 S | 1/2007 | Clymer | |
| D536,435 S | 2/2007 | Tinen | |
| D584,396 S | 1/2009 | Bucher et al. | |
| D627,048 S | 11/2010 | Shurtleff | |
| D798,432 S * | 9/2017 | Badarello | D23/377 |
| D804,011 S * | 11/2017 | Holmes | D26/59 |
| D821,622 S * | 6/2018 | Badarello | D26/125 |

| | | | |
|--------------|---------|-----------|---------|
| D834,698 S | 11/2018 | Hidalgo | |
| D856,572 S | 8/2019 | Haggar | |
| D876,698 S * | 2/2020 | Hidalgo | D26/59 |
| D878,652 S * | 3/2020 | McRoberts | D26/59 |
| D885,647 S * | 5/2020 | Haggar | D26/119 |

(Continued)

OTHER PUBLICATIONS

Hunter 52" Mt. Vista Ceiling Fan with LED Light and Pull Chain—Natural Iron, review date with photo Aug. 4, 2020, site visited Mar. 25, 2022, <<https://www.overstock.com/Lighting-Ceiling-Fans/Hunter-52-Mt.-Vista-Ceiling-Fan-in-Natural-Iron-with-LED-Light-and-Pull-Chain-Natural-Iron/31573206/product.html?option=57877965>>.*

(Continued)

Primary Examiner — Sharon S Oum
(74) *Attorney, Agent, or Firm* — McGarry Bair PC

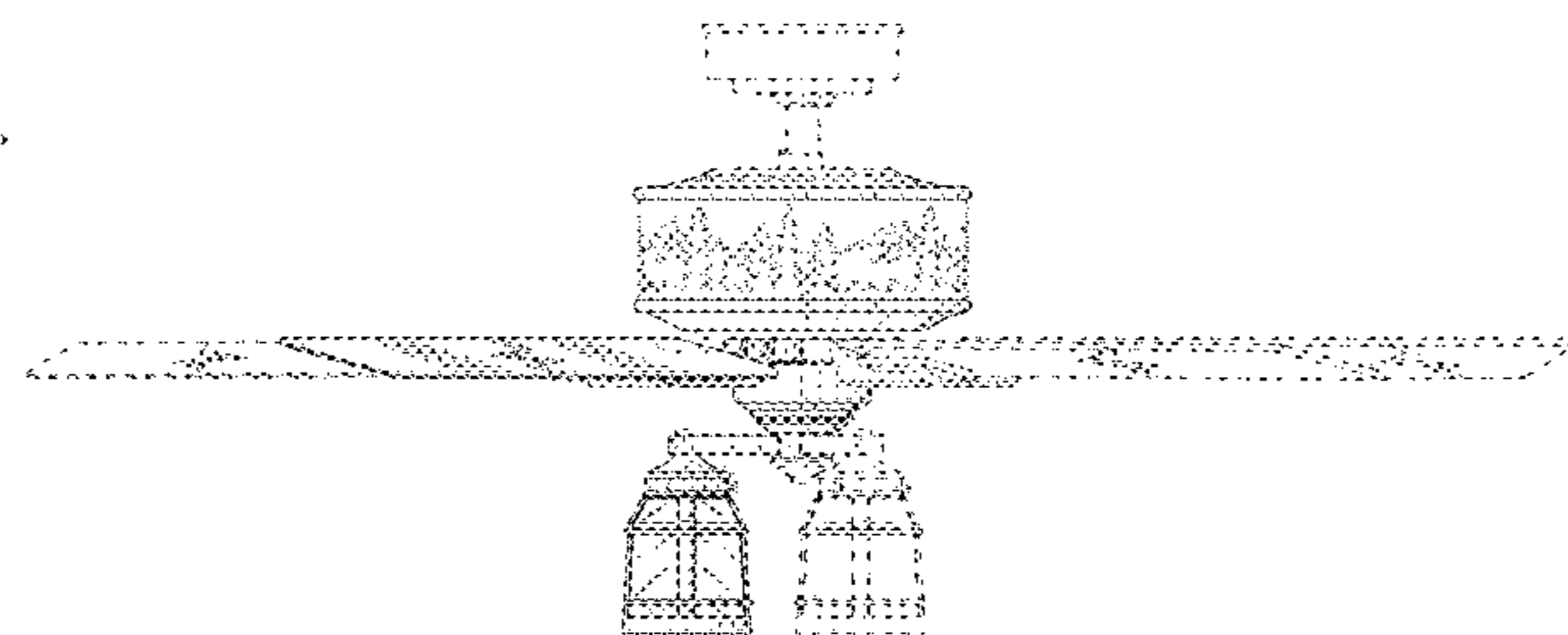
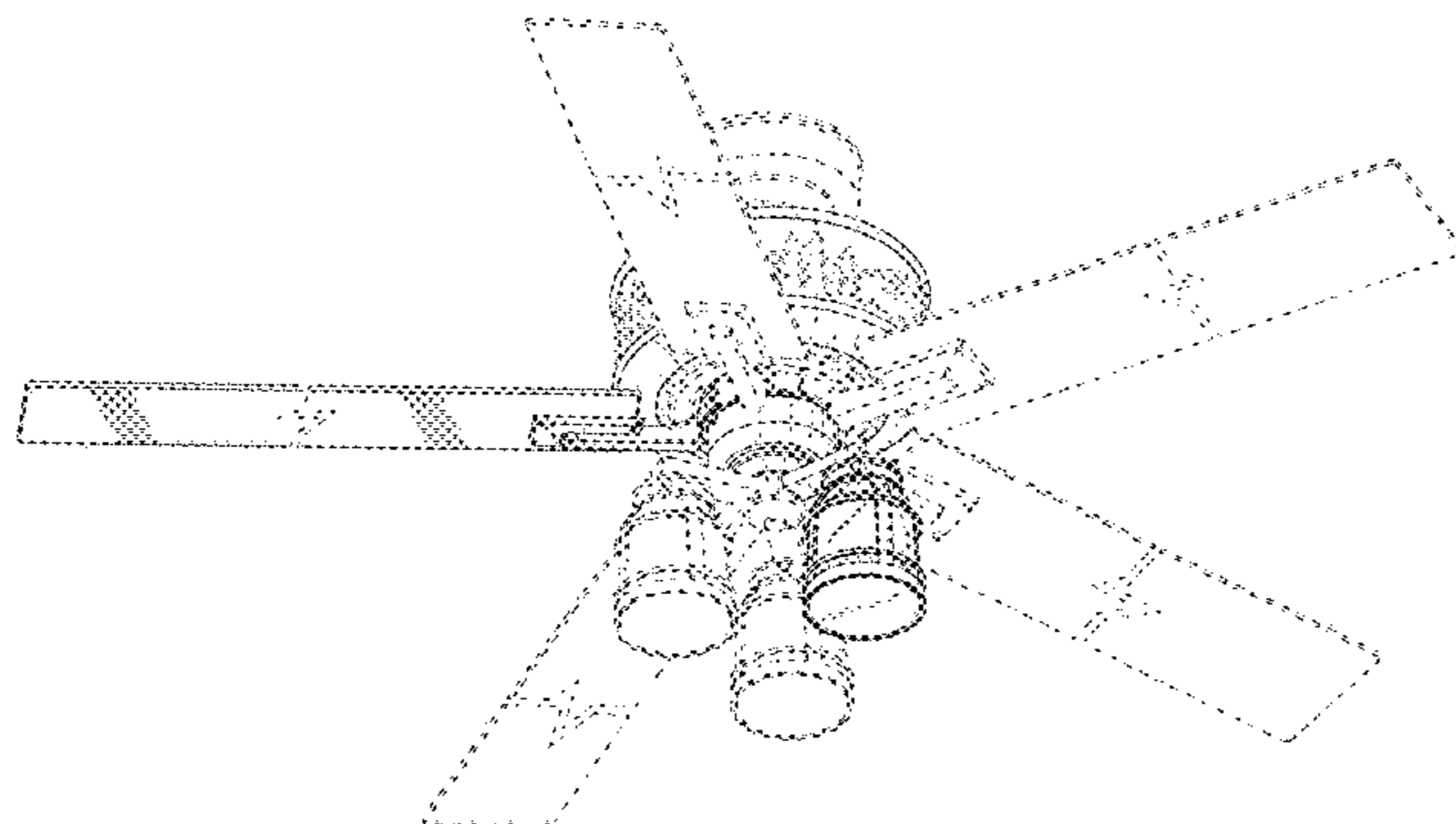
(57) **CLAIM**

The ornamental design for a ceiling fan, as shown and described.

DESCRIPTION

FIG. 1 is a top perspective view of a ceiling fan, showing my new design.
FIG. 2 is a bottom perspective view thereof;
FIG. 3 is a top view thereof;
FIG. 4 is a bottom view thereof;
FIG. 5 is a rear view thereof;
FIG. 6 is a front view thereof;
FIG. 7 is a left-side view thereof; and,
FIG. 8 is a right-side view thereof.
Portions of the ceiling fan shown in broken lines form no part of the claimed design. The ceiling fan blades are shown with a symbolic break in their length. The appearance of any portion of the ceiling fan blades between the break lines forms no part of the claimed design.

1 Claim, 8 Drawing Sheets



(56)

References Cited

U.S. PATENT DOCUMENTS

D923,861 S * 6/2021 Hagggar D26/59

OTHER PUBLICATIONS

<https://www.hunterfan.com/ceiling-fans/starklake-with-light-52-inch-famc50>, Hunter Starklake with Light 52 Inch Ceiling Fan, Item No. 50409, accessed Jan. 29, 2020.

<https://www.hunterfan.com/ceiling-fans/devon-park-with-led-light-52-inch-famc45>, Hunter Devon Park with LED light 52 Inch Ceiling Fan, Item No. 50604, accessed Jan. 29, 2020.

<https://www.hunterfan.com/ceiling-fans/hartland-with-light-44-inch-fam087>, Hunter Hartland with Light 44 inch Ceiling Fan, Item No. 50329, accessed Jan. 29, 2020.

<https://www.craftmade.com/catalog/product/view/id/8658/s/kate-kte52/>, Craftmade Kate 52" Ceiling Fan with Blades and Light Kit, Item No. KTE52BNKS, accessed Jan. 29, 2020.

<https://www.homedepot.com/p/Hampton-Bay-Ellijay-52-in-Indoor-Outdoor-Natural-Iron-Ceiling-Fan-with-Light-Kit-YG205-NI/202549824>, Hampton Bay Ellijay 52 in. Indoor/Outdoor Natural

Iron Ceiling Fan with Light Kit, Model No. YG205-NI, accessed Jan. 29, 2020.

<https://www.hunterfan.com/ceiling-fans/casablanca-compass-point-outdoor-54-inch-fam120>, Casablanca Compass Point Outdoor 54 inch Ceiling Fan, Item No. 54192, accessed Jan. 29, 2020.

<https://www.hunterfan.com/ceiling-fans/coral-bay-outdoor-with-light-52-inch-fam516>, Hunter Coral Bay Outdoor with Light 52 inch Ceiling Fan, Item No. 59420, accessed Jan. 29, 2020.

<https://www.kichler.com/kichler/products/ceiling-fans/indoor-ceiling-fans/52-inch-renew-patio-ceiling-fan-sbk/>, Kichler Renew Patio 52" Ceiling Fan Satin Black, Model No. 339515SBK, accessed Jan. 29, 2020.

<https://www.luminancebrands.com/fans/indoor/52hef5sn.html>, Luminance Heritage Fusion 52 in. 5 Blade Ceiling Fan, Model No. 52HEF5SN, accessed Jan. 29, 2020.

<https://www.luminancebrands.com/fans/indoor/52pd5owl.html>, Luminance Ponderosa 52 in. 5 Blade Ceiling Fan, Model No. 52PD5OWL, accessed Jan. 29, 2020.

<https://www.craftmade.com/patterson-pat64abzc5>, Craftmade Patterson 64" Ceiling Fan with Blades, Model No. PAT64ABZC5, accessed Jan. 29, 2020.

* cited by examiner

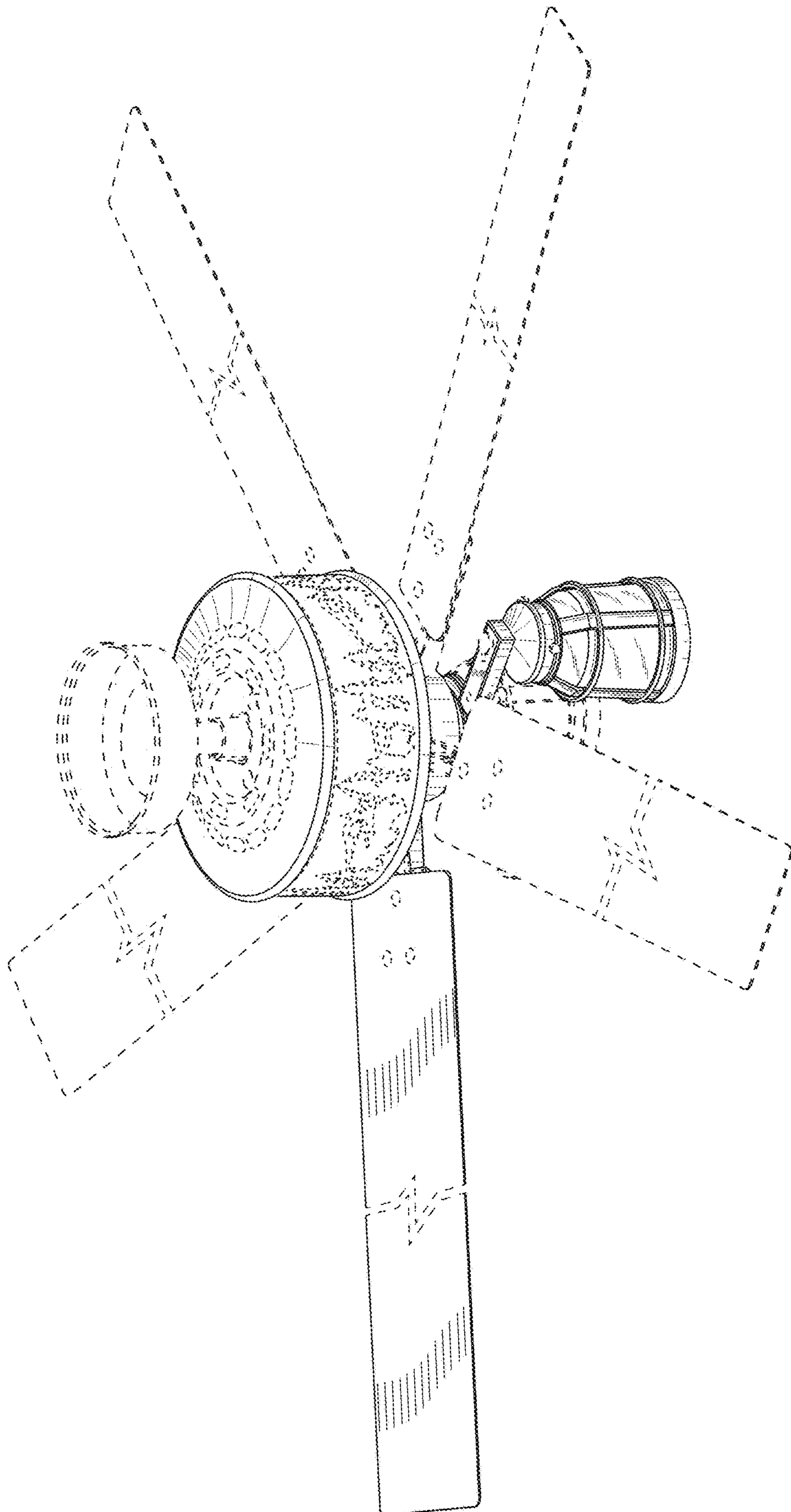


FIG. 1

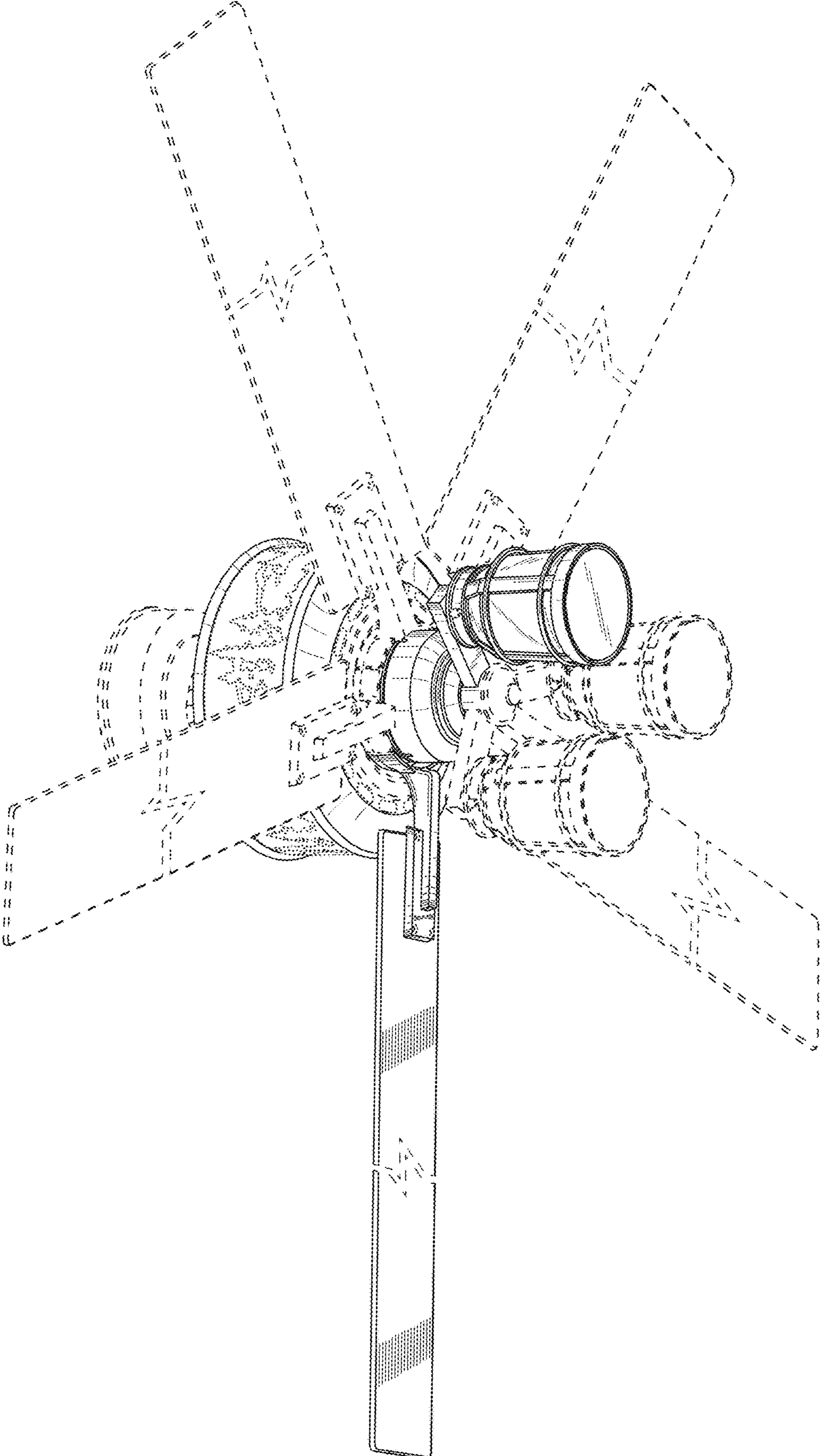


FIG. 2

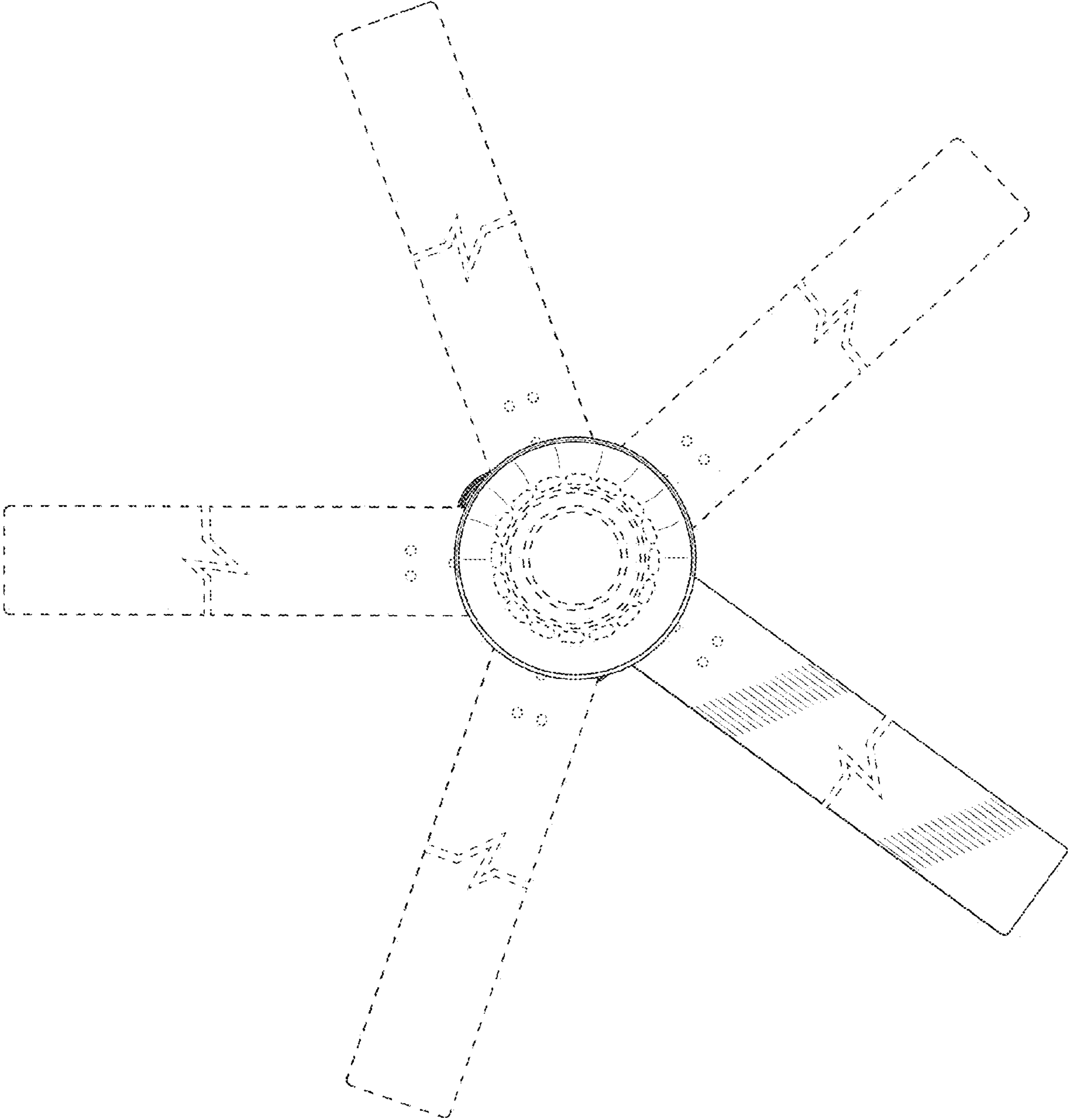


FIG. 3

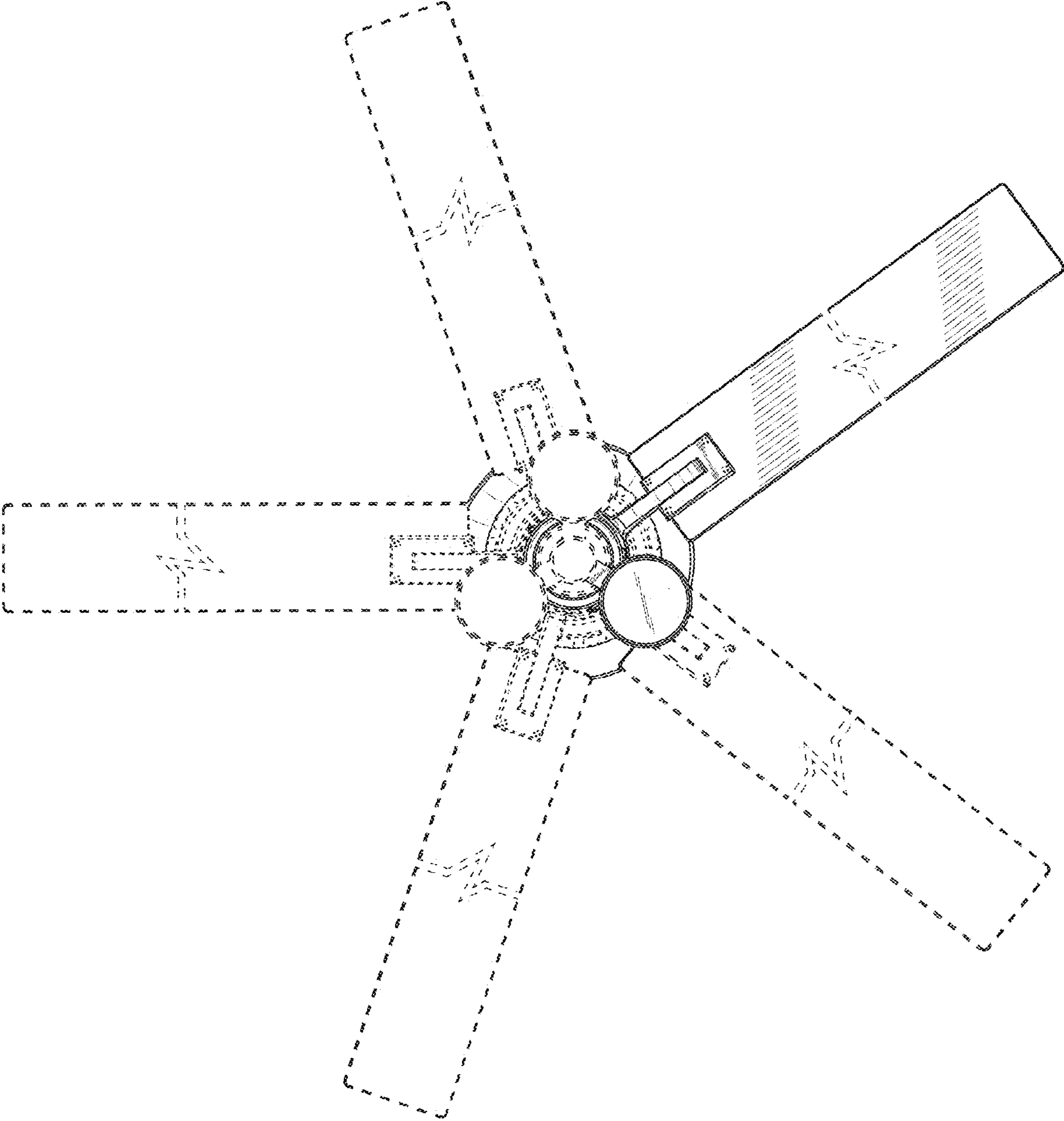


FIG. 4

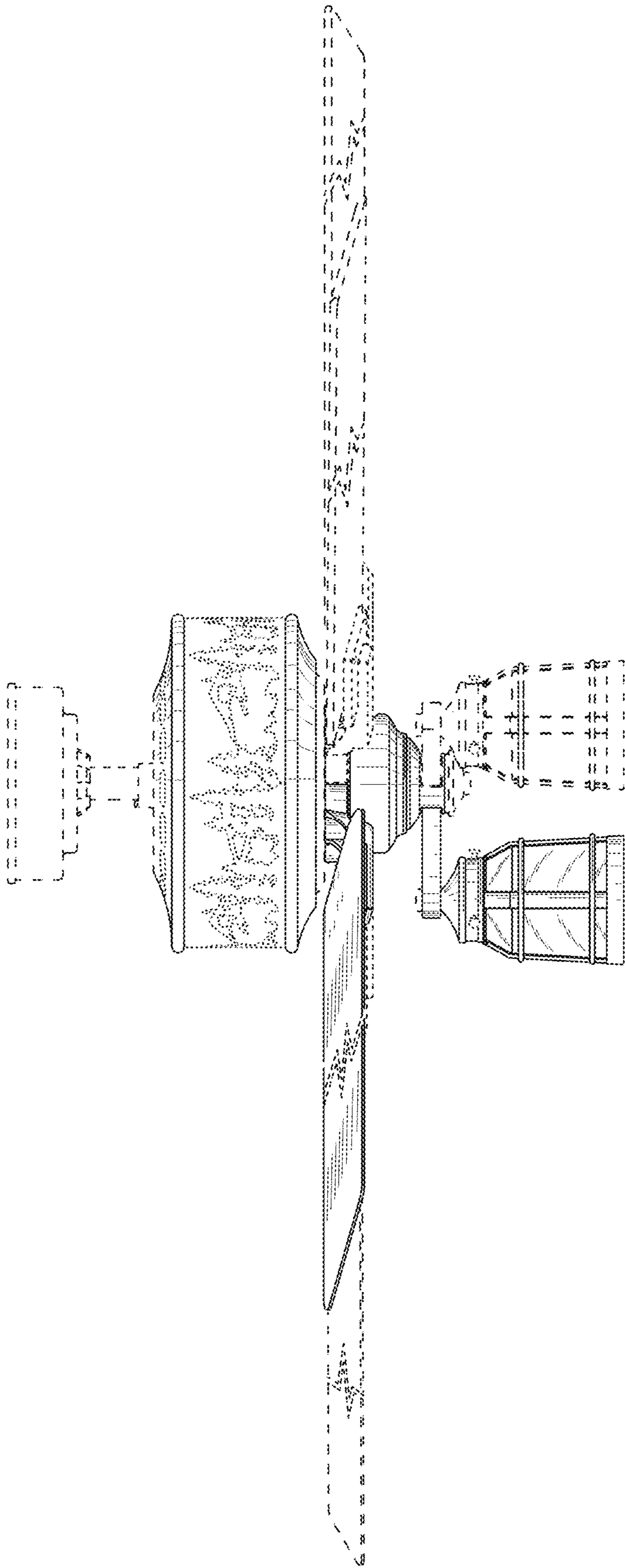


FIG. 5

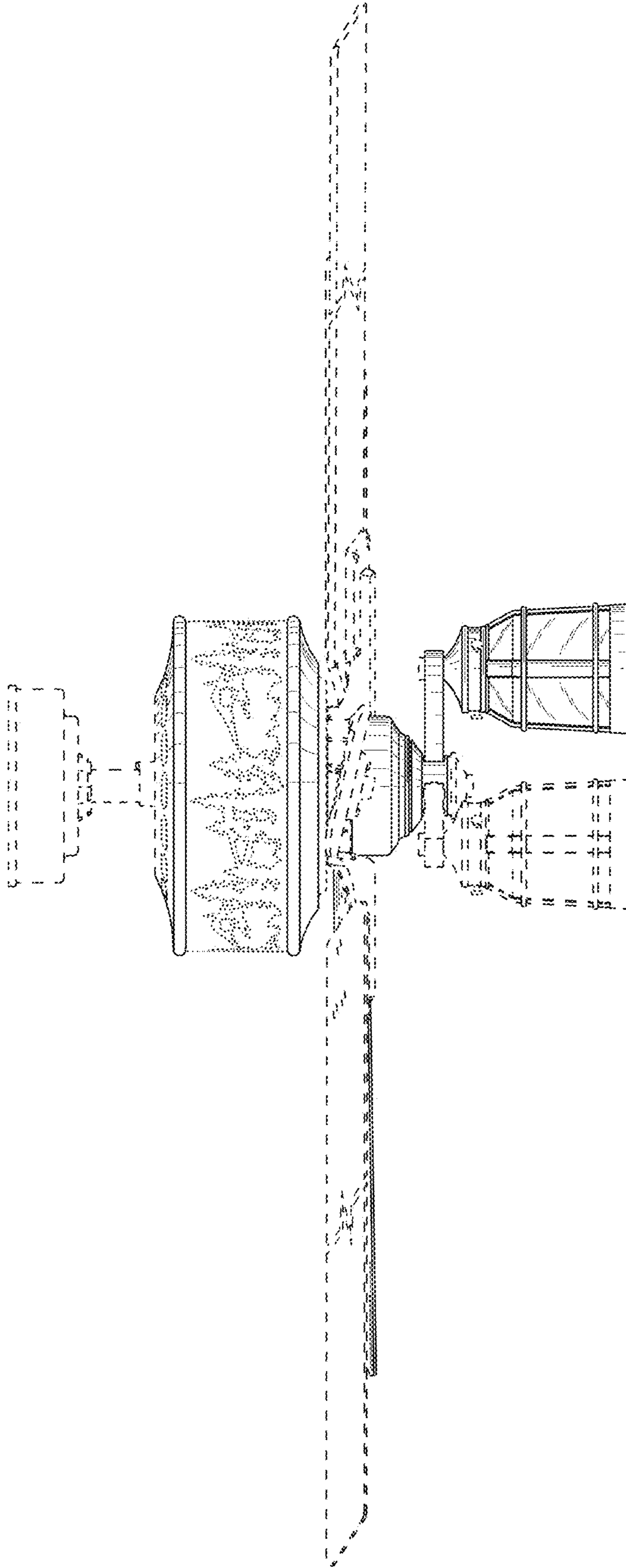


FIG. 6

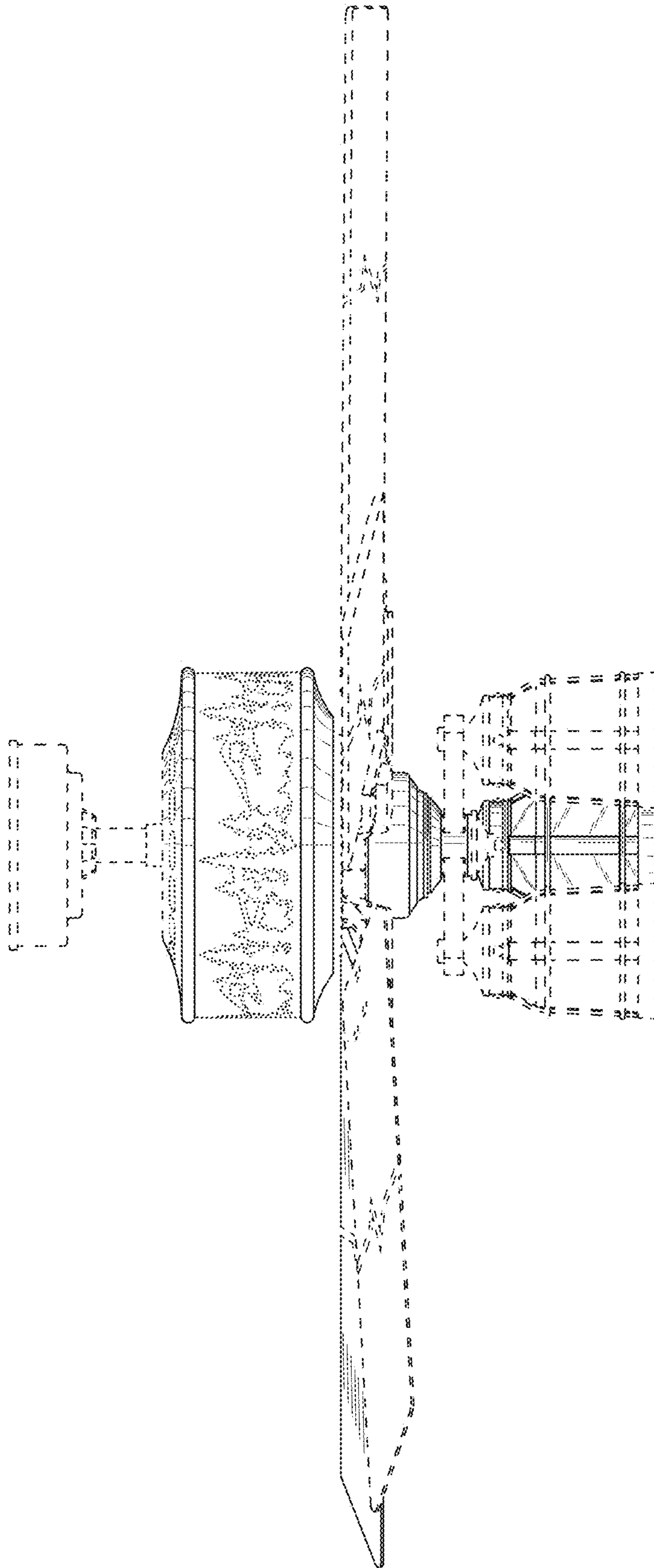


FIG. 7

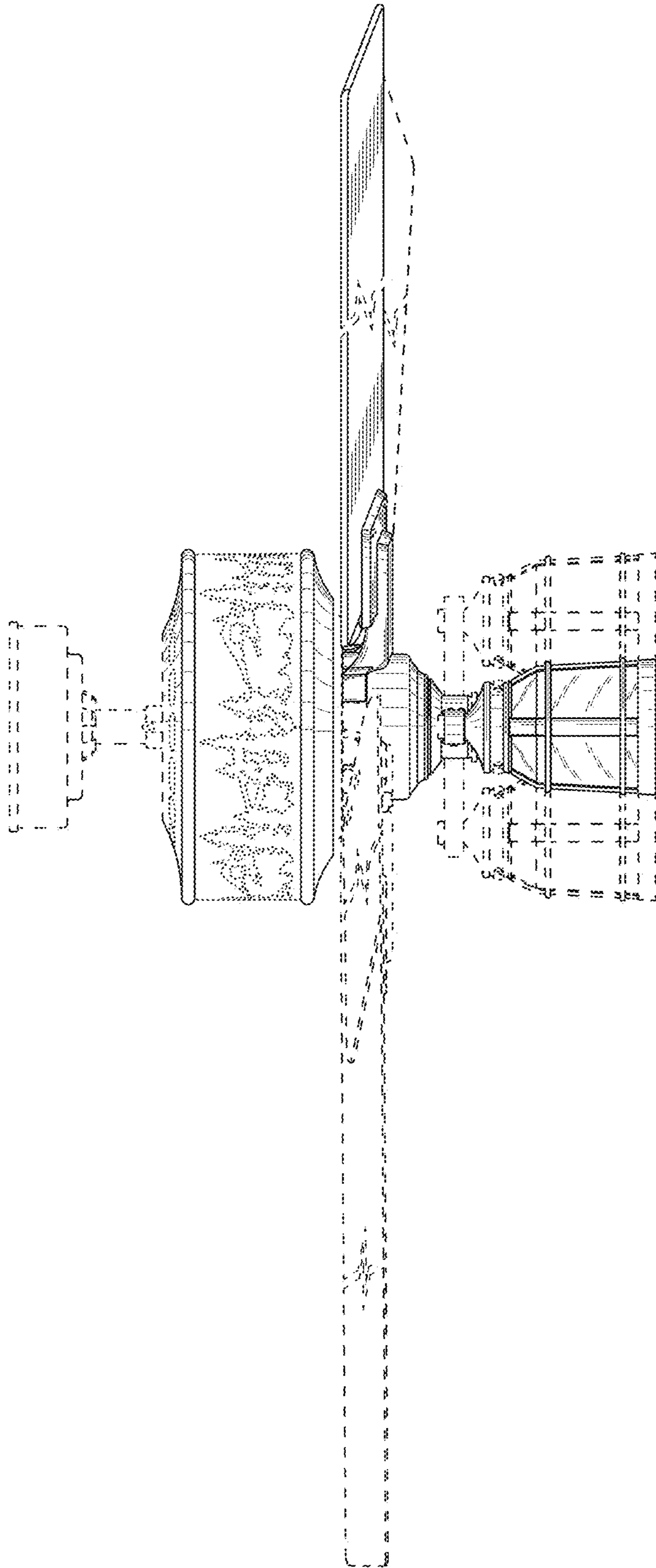


FIG. 8