



US00D969294S

(12) **United States Design Patent**
Holmes Bradley

(10) **Patent No.:** **US D969,294 S**

(45) **Date of Patent:** **** Nov. 8, 2022**

(54) **CEILING FAN**

(71) Applicant: **HUNTER FAN COMPANY**,
Memphis, TN (US)

(72) Inventor: **Christine Marie Holmes Bradley**,
Memphis, TN (US)

(73) Assignee: **Hunter Fan Company**, Memphis, TN
(US)

(**) Term: **15 Years**

(21) Appl. No.: **29/749,643**

(22) Filed: **Sep. 8, 2020**

(51) **LOC (13) Cl.** **23-04**

(52) **U.S. Cl.**
USPC **D23/377**

(58) **Field of Classification Search**
USPC D23/370, 377, 379, 385, 411-414;
D26/59
CPC F04D 25/088; F04D 29/38; F04D 29/384;
F04D 29/386; F21V 33/0096
See application file for complete search history.

(56) **References Cited**

U.S. PATENT DOCUMENTS

D333,867 S	3/1993	Markwardt	
D376,008 S	11/1996	Chan	
D598,997 S *	8/2009	Klausing	D23/377
D632,780 S	2/2011	Pan	
D660,953 S	5/2012	Allen et al.	
D705,921 S	5/2014	Wang	
D706,407 S	6/2014	Wang	
D712,533 S	9/2014	Allen et al.	
D741,988 S	10/2015	Pan	
D744,634 S	12/2015	Wang	
D771,794 S	11/2016	Wang	
D782,644 S	3/2017	Wang	
D784,510 S	4/2017	Badarello et al.	
D788,283 S	5/2017	Busta	
D788,286 S	5/2017	Busta	

D796,024 S	8/2017	Holmes	
D799,661 S *	10/2017	Holmes	D23/385
D804,630 S	12/2017	Holmes et al.	
D804,641 S *	12/2017	McRoberts	D23/385
D805,173 S	12/2017	Vajen Habig et al.	

(Continued)

OTHER PUBLICATIONS

Hunter Beck 52 in. LED Indoor Matte Black Ceiling Fan with Light Kit, review date with photo Mar. 20, 2020, site visited Mar. 25, 2022, <<https://www.homedepot.com/p/Hunter-Beck-52-in-LED-Indoor-Matte-Black-Ceiling-Fan-with-Light-Kit-54215/312955967>>.*

(Continued)

Primary Examiner — Sharon S Oum

(74) *Attorney, Agent, or Firm* — McGarry Bair PC

(57) **CLAIM**

The ornamental design for a ceiling fan, as shown and described.

DESCRIPTION

FIG. 1 is a top perspective view of a ceiling fan, showing my new design.

FIG. 2 is a bottom perspective view thereof;

FIG. 3 is a bottom view thereof;

FIG. 4 is a top view thereof;

FIG. 5 is a front view thereof;

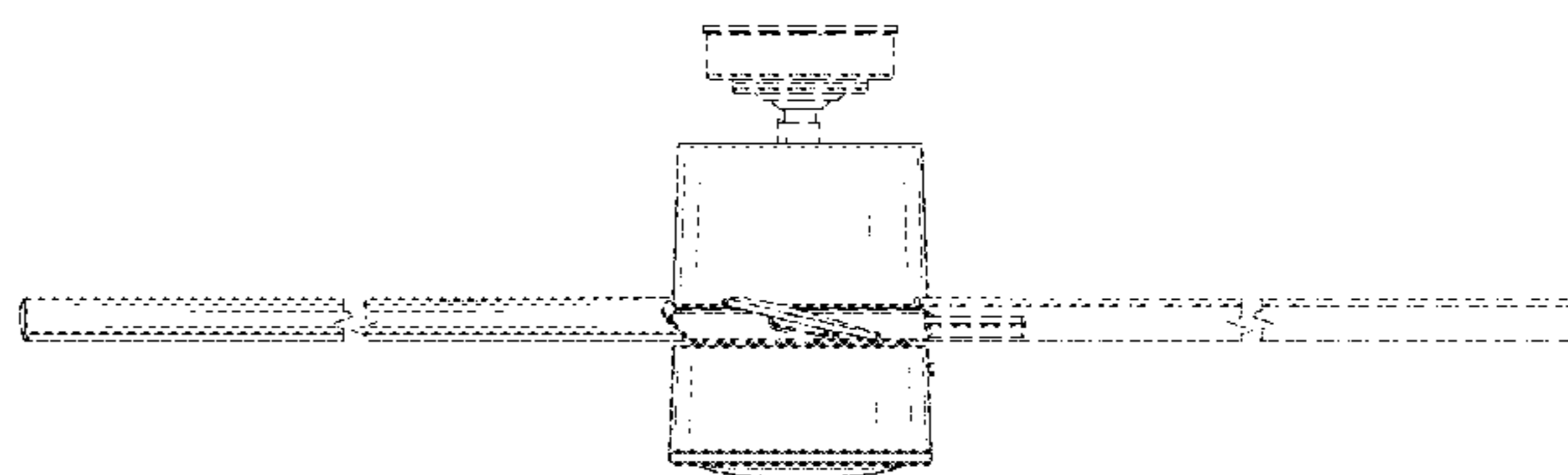
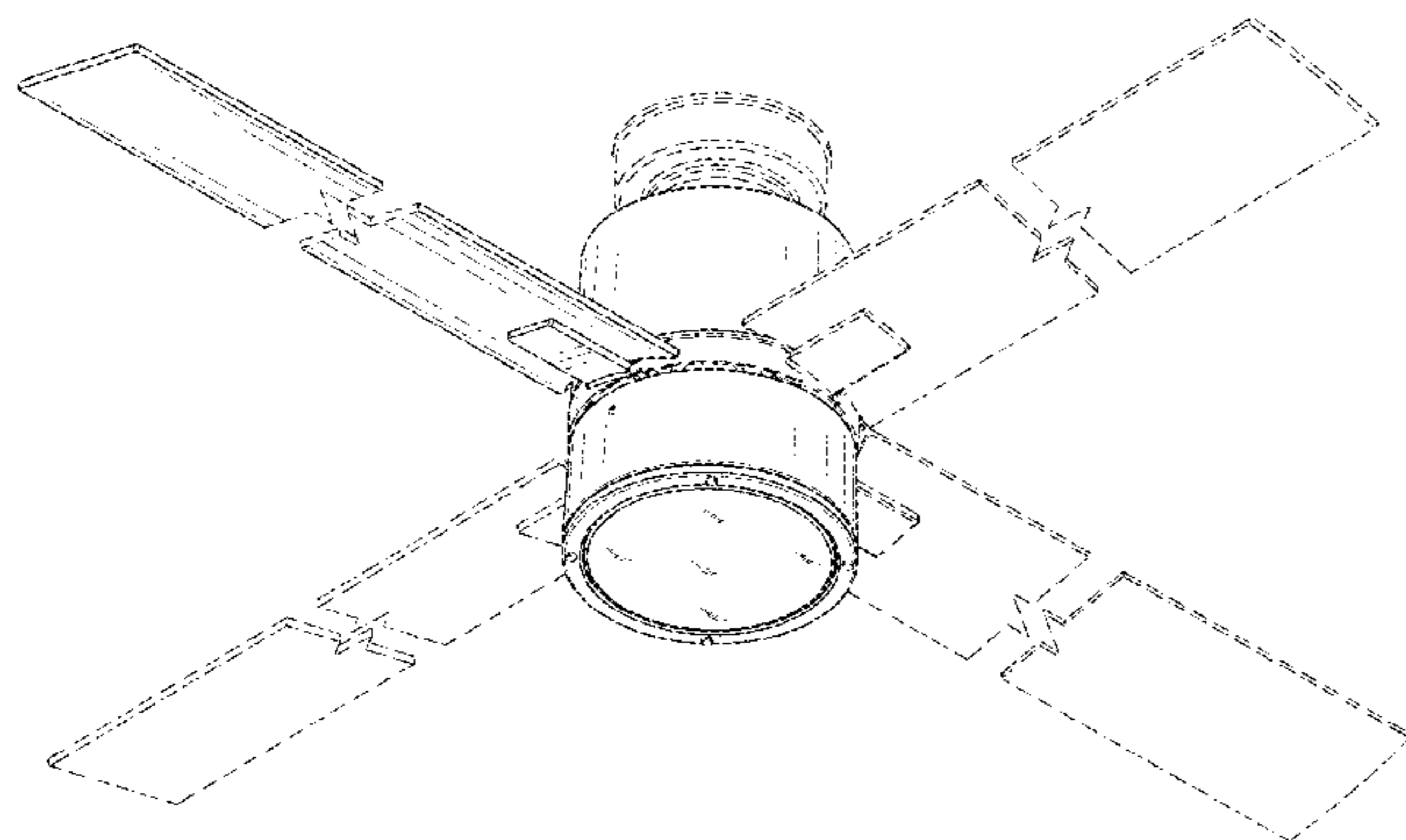
FIG. 6 is a rear view thereof;

FIG. 7 is a right-side view thereof; and,

FIG. 8 is a left-side view thereof.

Portions of the ceiling fan, are shown in broken lines. The broken lines illustrate portions of the ceiling fan that form no part of the claimed design. The ceiling fan blades are shown with a symbolic break in their length. The appearance of any portion of the ceiling fan blades between the break lines forms no part of the claimed design.

1 Claim, 8 Drawing Sheets



(56)

References Cited

U.S. PATENT DOCUMENTS

D808,512	S	1/2018	Hidalgo	
D809,118	S *	1/2018	Guthrie	D23/377
D810,917	S	2/2018	Holmes	
D810,920	S	2/2018	Haggar	
D814,011	S *	3/2018	McRoberts	D23/385
D858,735	S *	9/2019	Wang	D23/377
D862,755	S *	10/2019	Haggar	D26/59
D873,405	S *	1/2020	McRoberts	D23/377
D875,914	S *	2/2020	Haggar	D23/377
D877,882	S *	3/2020	Holmes	D23/411
D894,364	S *	8/2020	Schulzman	D23/377
D921,881	S *	6/2021	Haggar	D26/59
D938,569	S *	12/2021	Biancuzzo	D23/377
D941,452	S *	1/2022	O'Connell	D23/377
D941,984	S *	1/2022	Haggar	D23/411
D943,079	S *	2/2022	O'Connell	D23/377
D944,968	S *	3/2022	Gorali	D23/411
D946,741	S *	3/2022	Martell	D23/377
2018/0128276	A1 *	5/2018	Li	F04D 25/088

OTHER PUBLICATIONS

<https://www.hunterfan.com/ceiling-fans/mercado-with-led-light-50-inch-fam989>, Hunter Mercado 50 inch Ceiling Fan with LED Light, Item No. 59207, accessed Apr. 24, 2018.

18<https://www.hunterfan.com/ceiling-fans/casablanca-axial-with-led-light-52-inch-fam813>, Casablanca Axial 52 Inch Ceiling Fan with LED Light, Item No. 59341, accessed Apr. 24, 2018.

<https://www.homedepot.com/p/Hampton-Bay-Alida-52-in-Indoor-Oil-Rubbed-Bronze-Ceiling-Fan-with-Light-Kit-and-Remote-Control-YG222-ORB/202519632>, Hampton Bay Alida 52 in. Indoor Oil-Rubbed Bronze Ceiling Fan wit Light Kit and Remote Control, Model No. YG222-ORB, accessed Apr. 26, 2018.

<http://www.kichler.com/products/product/52-arkwet-patio-ceiling-fan-wcp-339529wcp.aspx>, Kichler Arkwet Patio 52" Ceiling Fan (Discontinued), accessed Sep. 4, 2020.

<https://www.craftmade.com/katana-kat72>, Craftmade Katana 72" Customizable Fan, Model No. KAT72, accessed Apr. 24, 2018.

<http://www.kichler.com/products/product/52-inch-ridley-ii-led-ceiling-fan-ap-300027ap.aspx>, Kichler Ridley II Collection, 52 Inch LED Ceiling Fan AP, accessed Apr. 24, 2018.

<https://www.homedepot.com/p/Hunter-Hembree-52-in-Indoor-Brushed-Nickel-Ceiling-Fan-with-Light-Kit-59230/300010925>, Hunter Hembree 52 in. Indoor Ceiling Fan with Light Kit, Discontinue, accessed Sep. 4, 2020.

<http://www.kichler.com/products/product/60-inch-rana-fan-ni-310155ni.aspx>, Kichler Rana Collection 60 Inch Brushed Nickel Ceiling Fan, Model No. 310155NI, accessed Apr. 24, 2018.

<http://www.montecarlofans.com/38129/52-Vision---Oil-Rubbed-Bronze-3VNR52OZD.html>, Monte Carlo Vision Max Collection, 52" Oil Rubbed Bronzel, Product No. 3VNR50OZD, accessed Apr. 24, 2018.

<https://www.hunterfan.com/ceiling-fans/windemere-with-light-54-inch-fam928>, Hunter Windemere 54 inch Ceiling Fan with Light, Item No. 59039, accessed Apr. 24, 2018.

<http://www.kichler.com/products/product/48-inch-celino-contemporary-fan-mch-300017mch.aspx>, Hichler Celino Collection, 48 inch Comtemporary Celing Fan, Model No. 300017MCH, accessed Apr. 24, 2018.

<http://www.hunterfan.com/Ceiling-Fans/Hepburn?ModelNumber=59321>, Hunter Hepburn 52 inch Ceiling Fan with LED Light, Item No. 59321, accessed Apr. 24, 2020.

<http://www.hunterfan.com/Ceiling-Fans/Leoni?ModelNumber=59220>, Hunter Leoni 48 inch Ceiling Fan with LED Light, Item No. 59219, accessed Apr. 24, 2018.

<http://www.montecarlofans.com/50455/56-Vision-Max---Brushed-Steel-3VNR56BSD.html>, Monte Carlo 56" Vision Max Brushed Steel Ceiling Fan, Model No. 3VNR56BSD, accessed Apr. 26, 2018.

<http://www.hunterpacific.com.au/revolution.php>, Hunter Pacific Revolution 3 Collection, accessed Apr. 26, 2018.

<https://www.hunterfan.com/ceiling-fans/duncan-low-profile-with-light-52-inch-fam701>, Hunter Duncan Low Profile with LED Light 52 inch, Item No. 59586, accessed Sep. 2, 2020.

<https://www.hunterfan.com/ceiling-fans/wingate-with-light-52-inch-fam802>, Hunter Wingate 52 Inch Ceiling Fan with Light, Item No. 59439, accessed Apr. 24, 2018.

<http://www.quoruminternational.com/index.cfm/app/productDetail?product=66565-86>, Quorum Ceiling Fan, Model No. 66565-86, accessed Apr. 24, 2018.

<http://www.kichler.com/products/product/56-inch-hatteras-bay-fan-obb-300018obb.aspx>, Kichler Hatteras Bay Collection, 56 Inch Ceiling Fan, Model No. 300018OBB, accessed Apr. 24, 2018.

<http://www.menards.com/main/lighting-ceiling-fans/ceiling-fans/shop-all-ceiling-fans/turn-of-the-century-reg-ashton-52-brushed-nickel-ceiling-fan/p-1444424531588-c-7488.htm?tid=7022888069991374527>, Turn of the Century Ashton 52" Brushed Nickel Indoor Ceiling Fan, Model No. 35060, accessed Apr. 24, 2018.

http://www.cens.com/cens/html/en/product/product_main_77128.html, Orien Contemporary Series Ceiling Fan, Model No. YG-238, accessed Apr. 26, 2018.

<https://www.hunterfan.com/ceiling-fans/exeter-with-led-light-54-inch-fam800> Hunter Exeter 54 inch Ceiling Fan with LED Light, Item No. 59594, accessed Sep. 4, 2020.

<https://www.homedepot.com/p/Hampton-Bay-Valle-Paraiso-52-in-Indoor-Brushed-Nickel-Ceiling-Fan-with-Light-Kit-and-Remote-Control-14035/202050938>, Hampton Bay Velle Paraiso 52 in. Brushed Nickel Ceiling Fan with Light Kit and Remote Control, Model No. 14035, accessed Apr. 24, 2018.

<https://www.craftmade.com/acadian-aca56bnk3>, Craftmade Acadian 56" Ceiling Fan with Blades and Light Kit, Model No. ACA56BNK3, accessed Apr. 26, 2018.

<http://www.fanimation.com/products/index.php/fans/torch.html>, Fanimation Torch Indoor/Outdoor 52 inch Ceiling Fan, accessed May 11, 2018.

<https://www.hunterfan.com/ceiling-fans/casablanca-bullet-with-led-light-54-inch-fam868>, Casablanca Bullet 54 inch Ceiling Fan with LED light, Item No. 52988, accessed May 1, 2018.

<http://www.kingoffans.com/#/products/ceilingFans>, King of Fans Palm Beach Ceiling Fan, Model No. 72560, accessed Apr. 26, 2018.

* cited by examiner

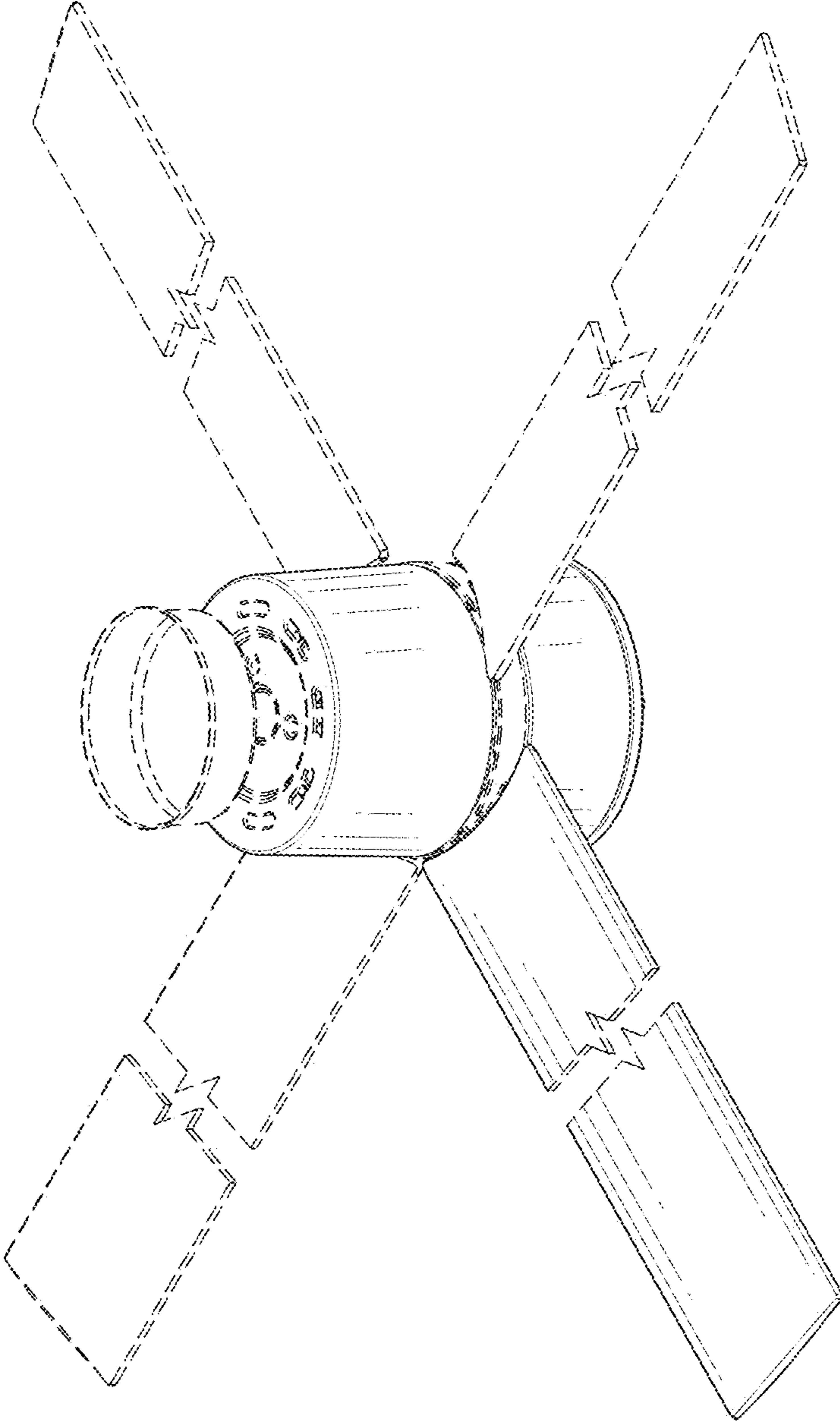


FIG. 1

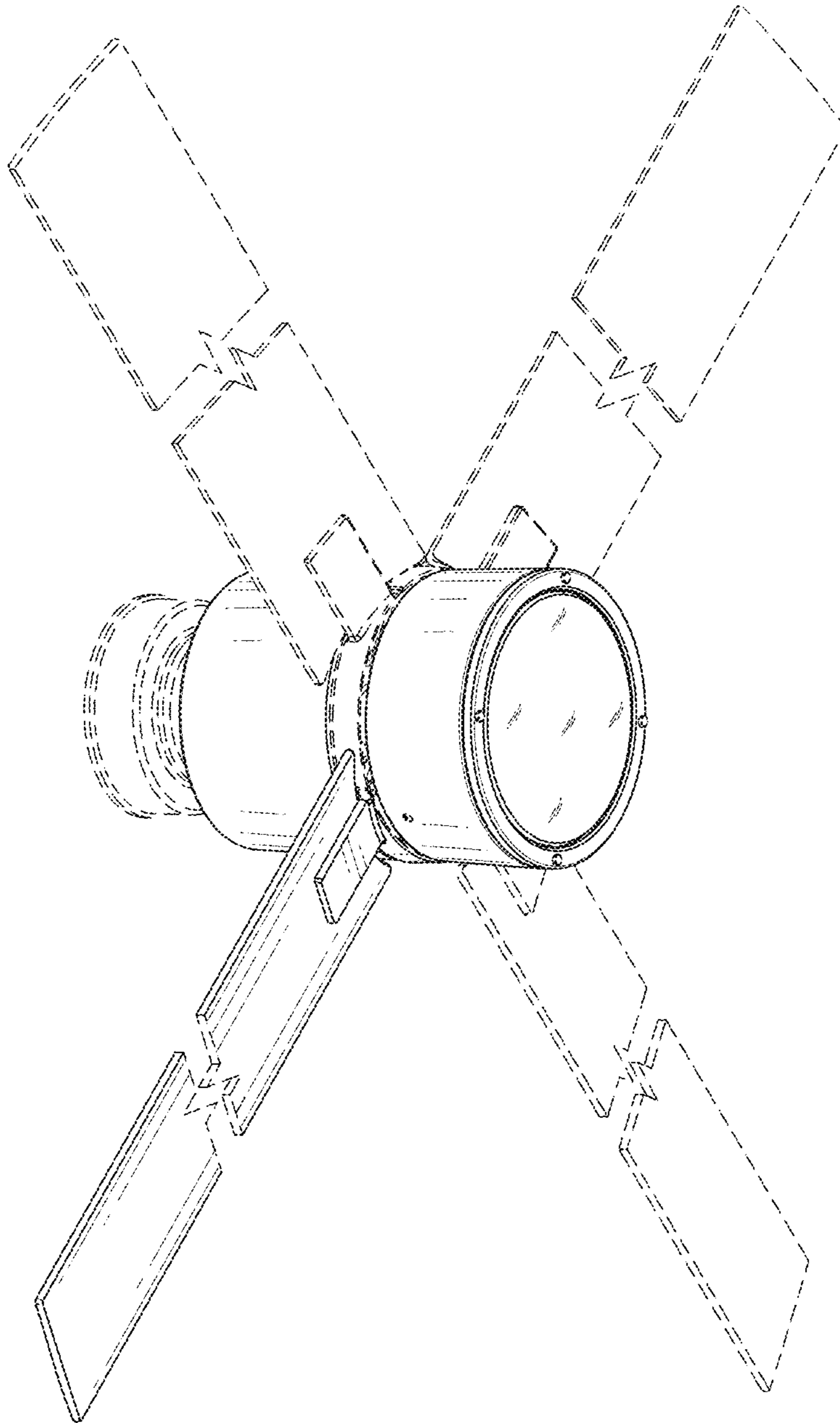


FIG. 2

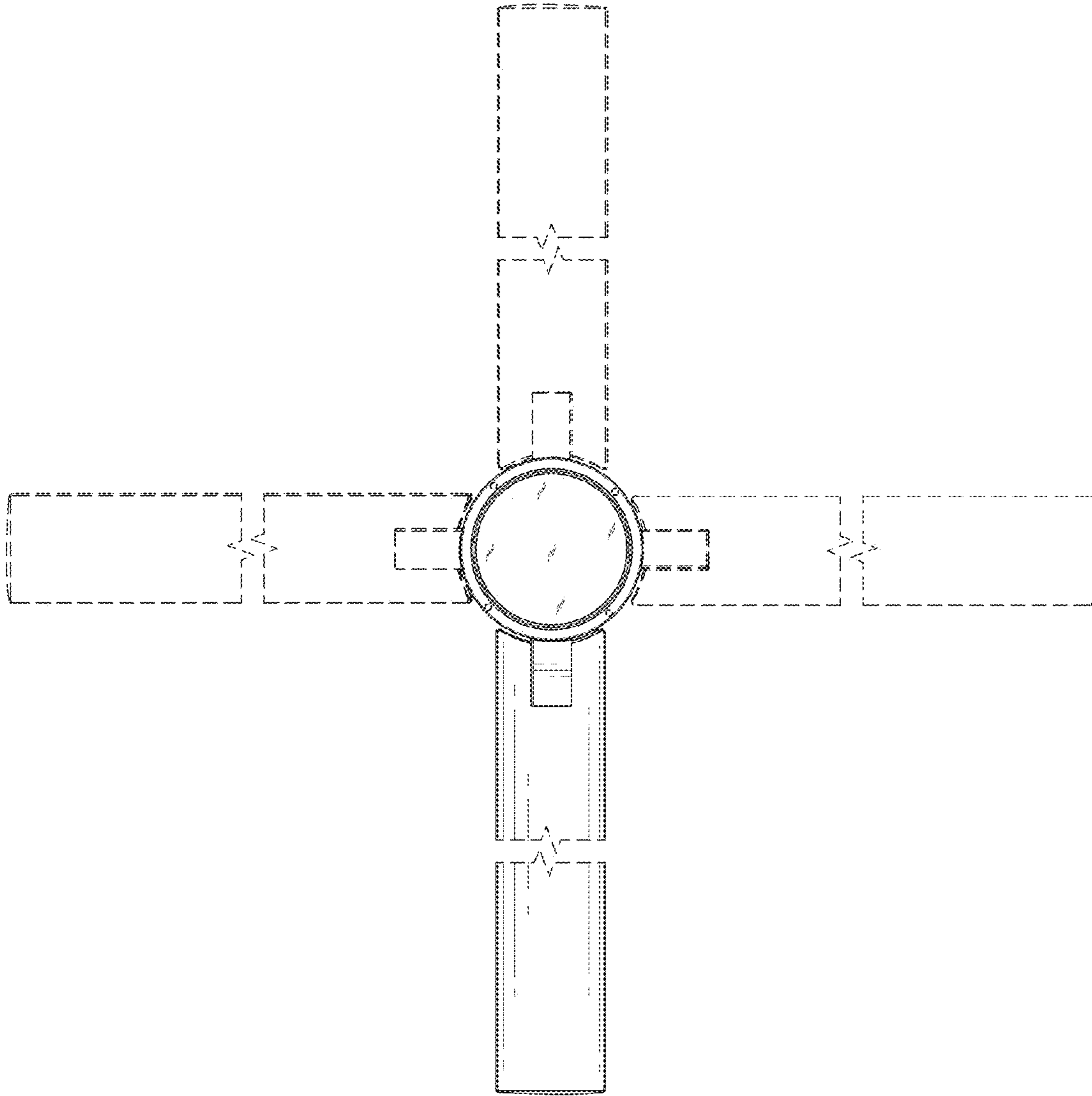


FIG. 3

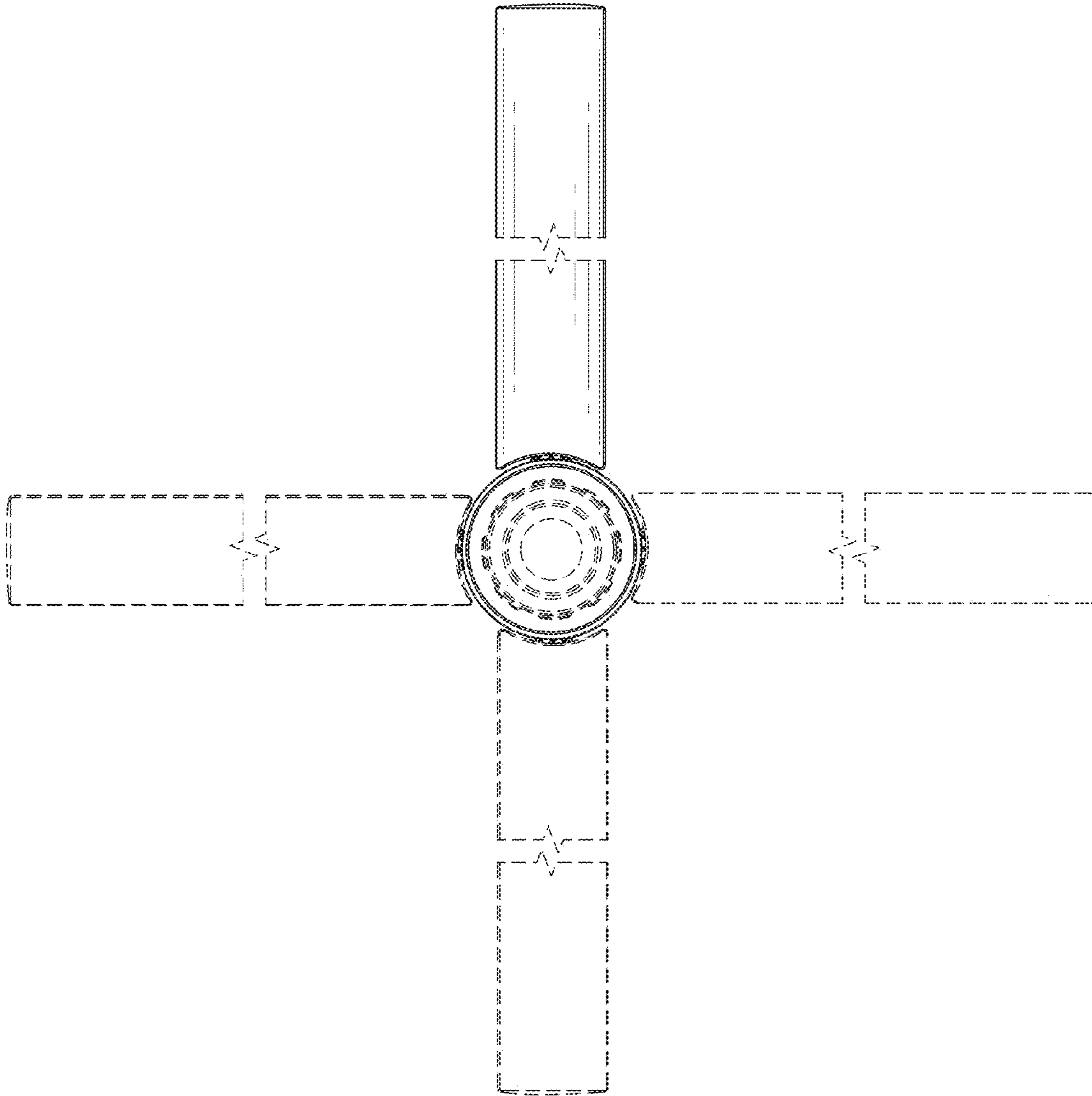


FIG. 4

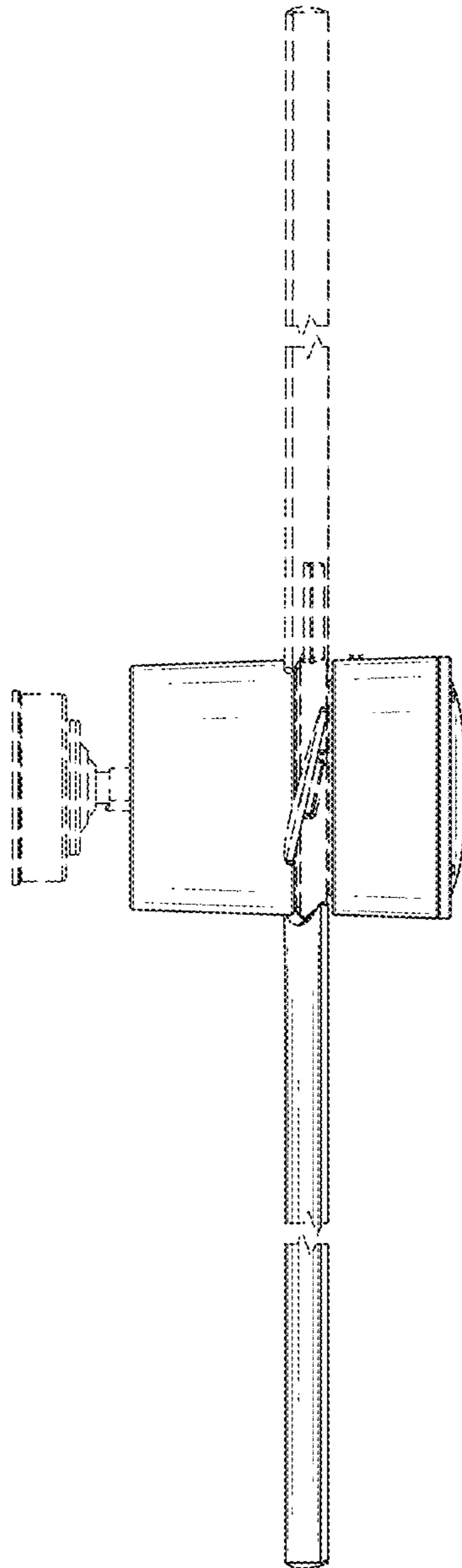


FIG. 5

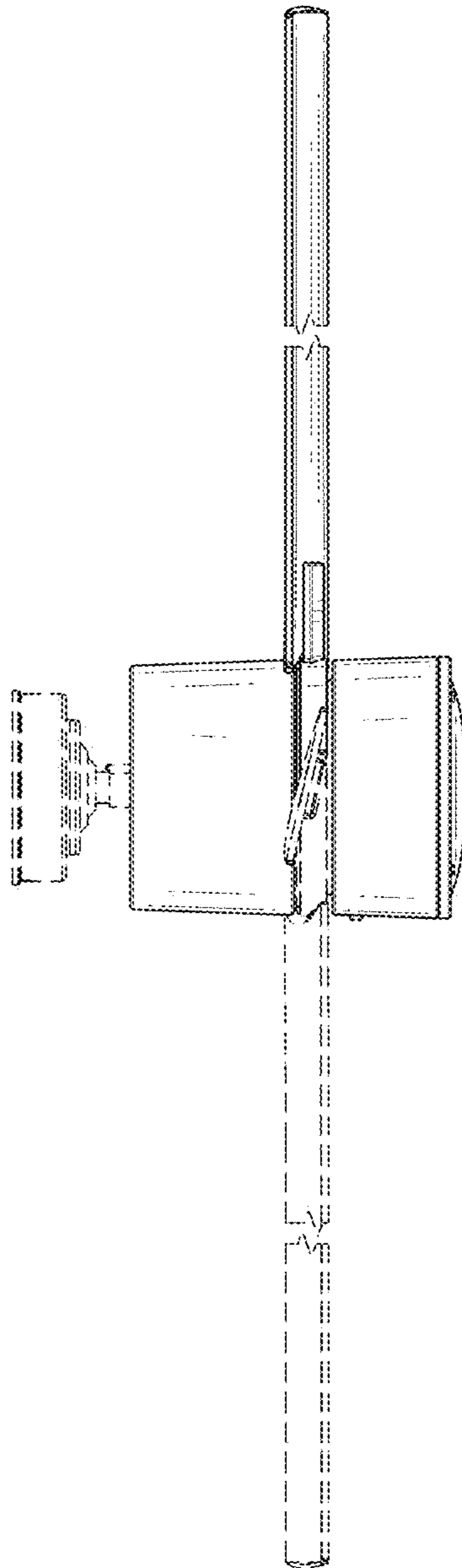


FIG. 6

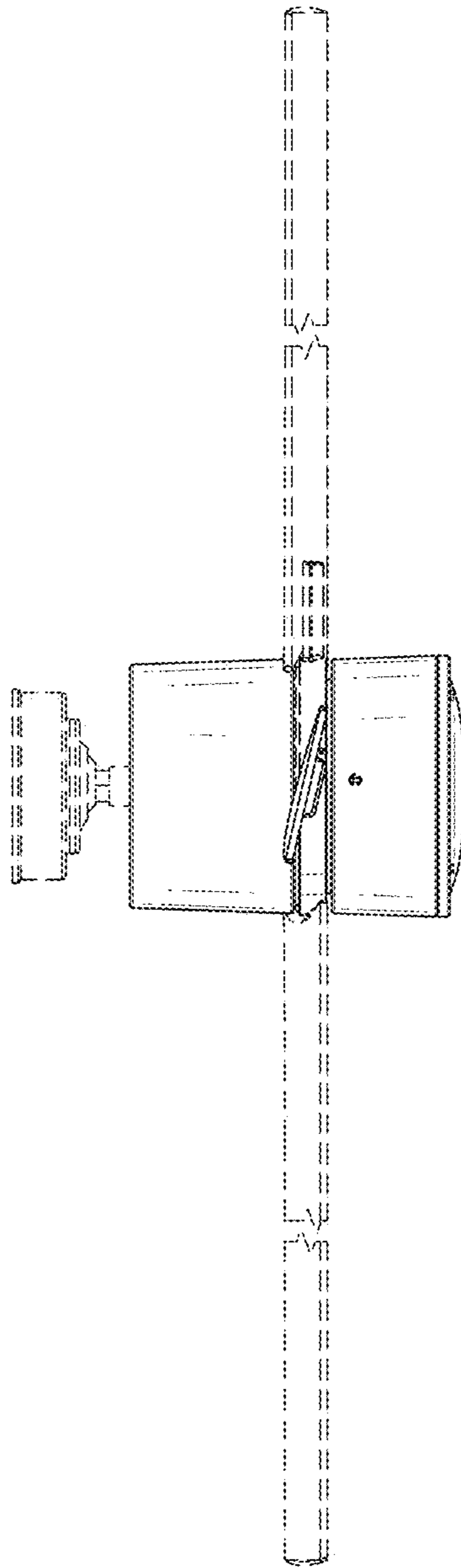


FIG. 7

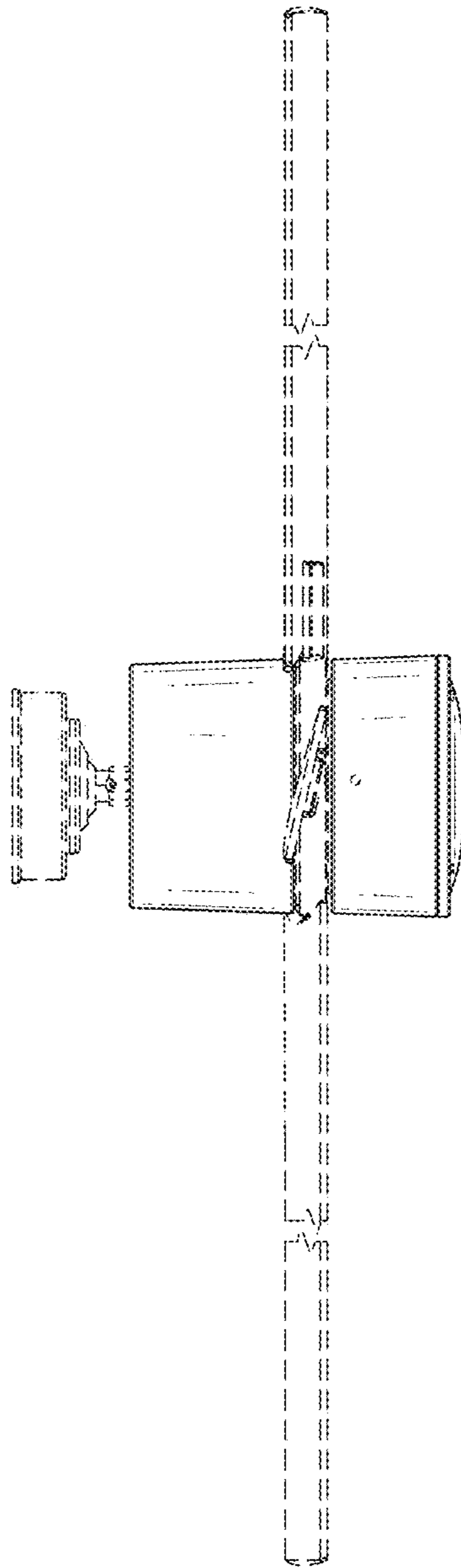


FIG. 8