



US00D969293S

(12) **United States Design Patent**
Gajewski

(10) **Patent No.:** **US D969,293 S**

(45) **Date of Patent:** **** Nov. 8, 2022**

(54) **CEILING FAN**

(71) Applicant: **Kichler Lighting LLC**, Cleveland, OH (US)

(72) Inventor: **Mark Gajewski**, Henderson, NV (US)

(73) Assignee: **Kichler Lighting LLC**, Cleveland, OH (US)

(**) Term: **15 Years**

(21) Appl. No.: **29/737,731**

(22) Filed: **Jun. 11, 2020**

Related U.S. Application Data

(63) Continuation of application No. 29/623,129, filed on Oct. 23, 2017, now Pat. No. Des. 890,319.

(51) **LOC (13) Cl.** **23-04**

(52) **U.S. Cl.**
USPC **D23/377**

(58) **Field of Classification Search**
USPC D23/370, 377, 379, 385, 411-414;
D26/59; D13/115

CPC F04D 25/088; F04D 29/38; F04D 29/384;
F04D 29/386; F21V 33/0096

See application file for complete search history.

(56) **References Cited**

U.S. PATENT DOCUMENTS

- 1,634,393 A * 7/1927 Barton B64C 11/00
416/214 R
- D321,935 S * 11/1991 Ignon D23/413
- 5,462,407 A * 10/1995 Calvo F04D 25/088
D23/413
- D389,382 S * 1/1998 Houle D8/8
- 6,811,377 B2 * 11/2004 Tang F04D 29/366
416/240

- D518,568 S * 4/2006 Young D23/413
- D524,929 S * 7/2006 Young D23/379
- D524,935 S * 7/2006 Young D23/413
- D542,905 S * 5/2007 Young D26/59
- D621,352 S * 8/2010 Snow D13/115
- 8,430,637 B2 * 4/2013 Brown F03D 1/0658
416/223 R
- D744,079 S * 11/2015 Wang D23/385
- D818,956 S * 5/2018 Ruff D13/115
- D875,682 S * 2/2020 Joutsiniemi D13/115
- 2019/0257285 A1 * 8/2019 Joutsiniemi F03D 3/065

* cited by examiner

Primary Examiner — Sharon S Oum

(74) *Attorney, Agent, or Firm* — Brooks Kushman P.C.

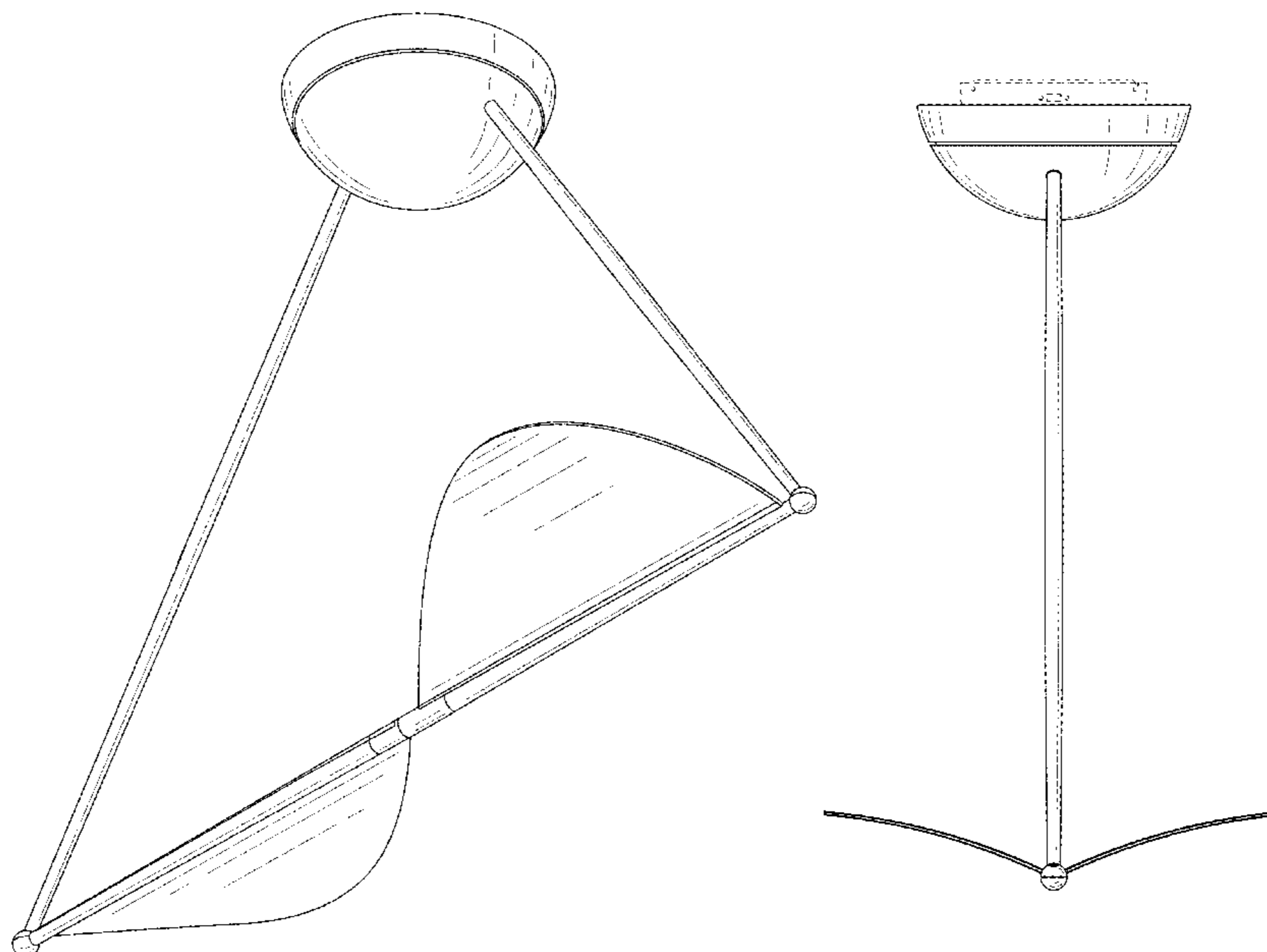
(57) **CLAIM**

I claim the ornamental design for a ceiling fan, as shown and described.

DESCRIPTION

FIG. 1 is a bottom perspective view of a ceiling fan showing a first embodiment of my new design;
 FIG. 2 is a front elevational view thereof, with the rear elevational view being a mirror image thereof;
 FIG. 3 is a left side elevational view thereof, with the right side elevational view being a mirror image thereof;
 FIG. 4 is a top plan view thereof; and
 FIG. 5 is a bottom plan view thereof;
 FIG. 6 is a front elevational view of the ceiling fan showing a second embodiment of my new design, with the rear elevational view being a mirror image thereof, and with the top and bottom views being identical to FIG. 4 and FIG. 5, respectively; and,
 FIG. 7 is a left side elevational view thereof, with the right side elevational view being a mirror image thereof.
 The broken lines on the drawings depict portions of the ceiling fan that form no part of the claimed design.

1 Claim, 7 Drawing Sheets



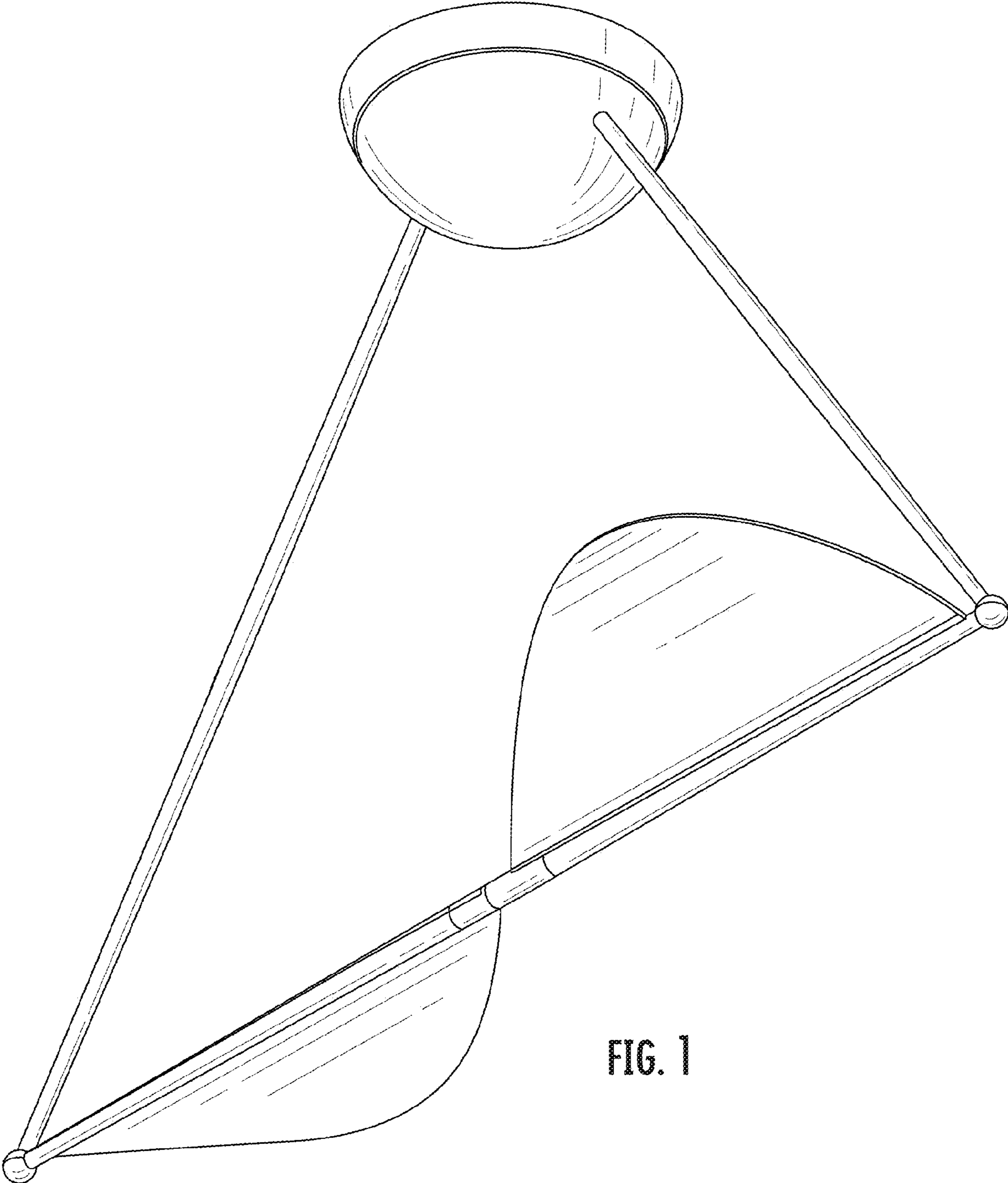


FIG. 1

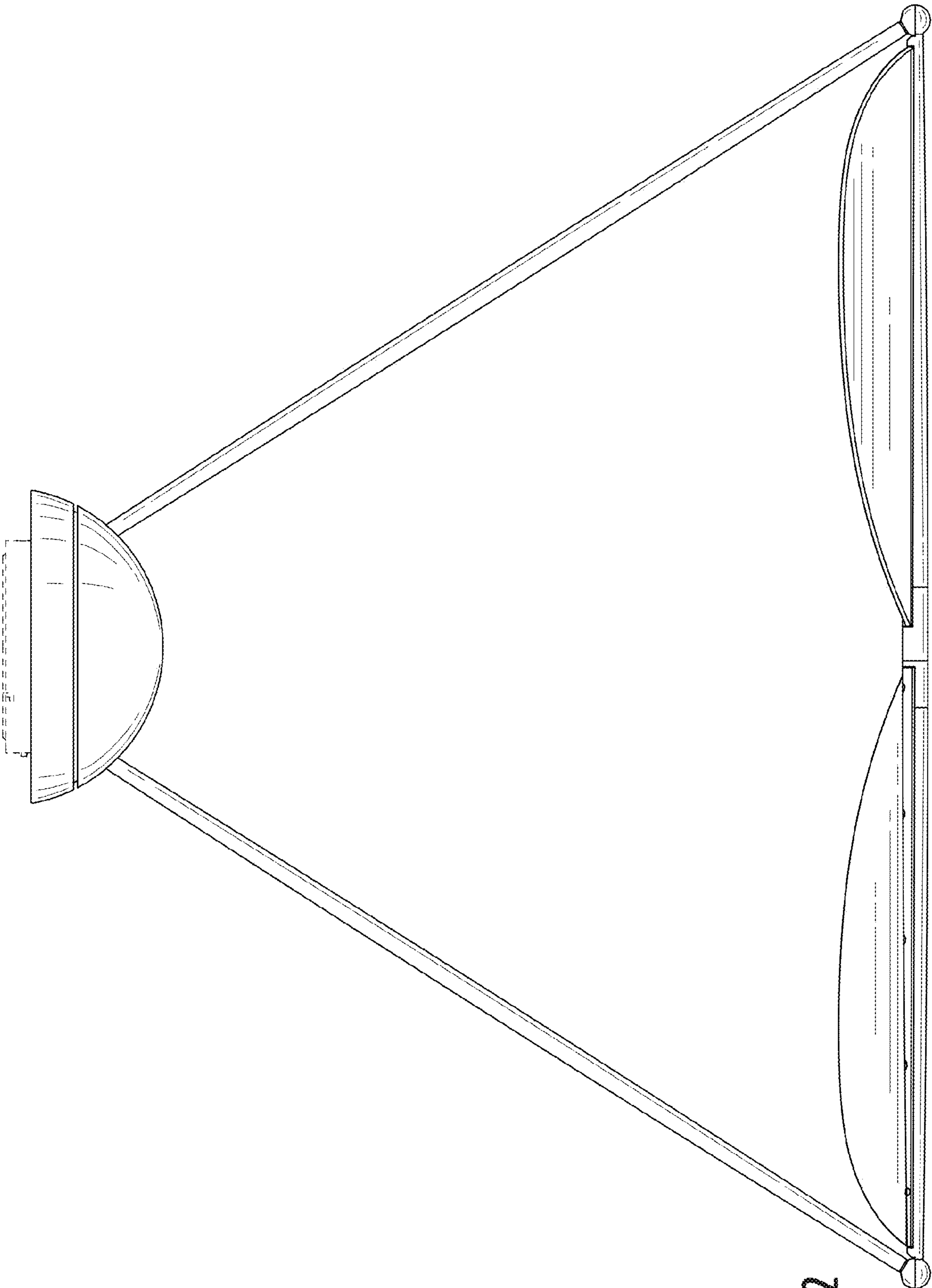


FIG. 2

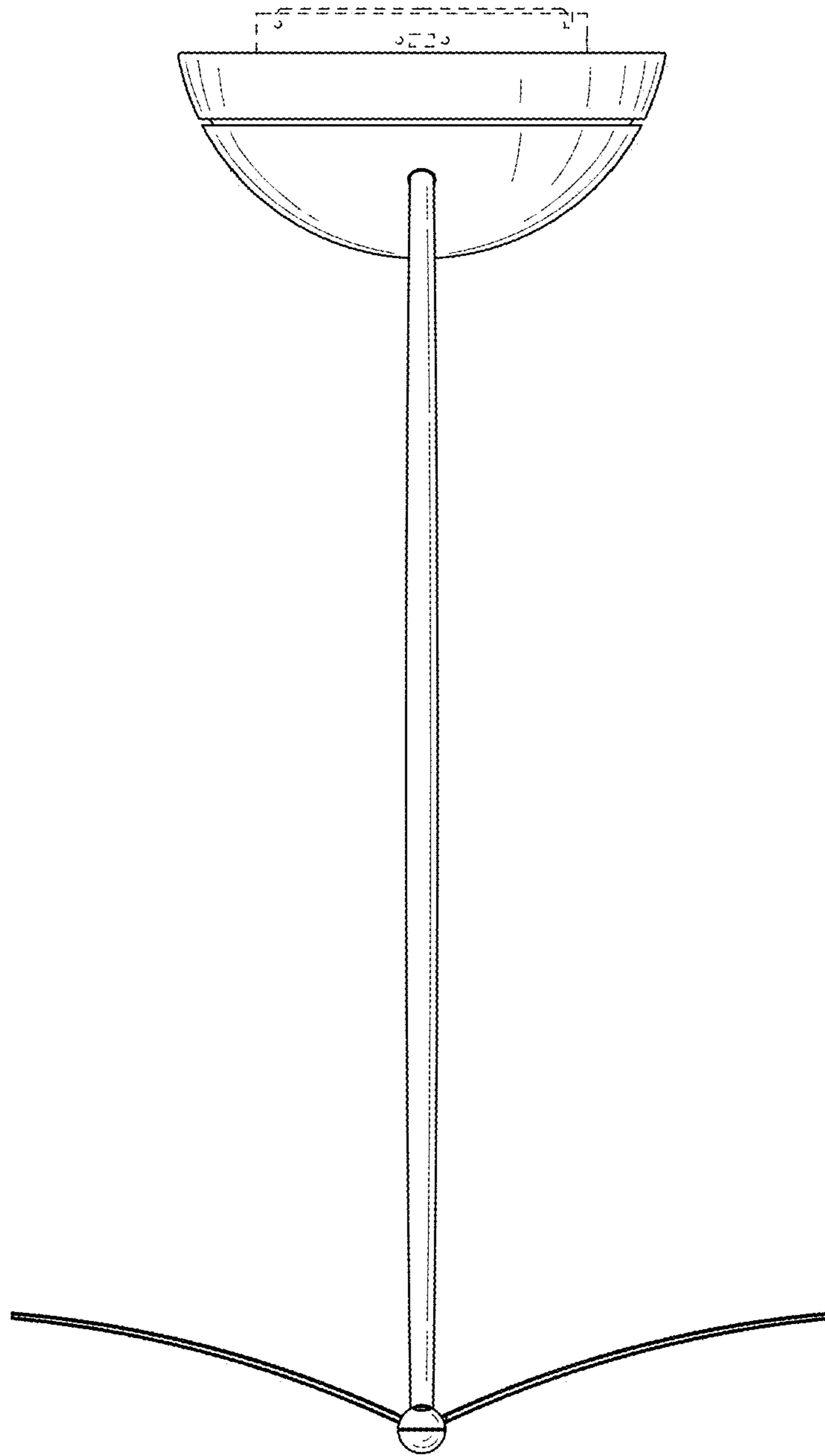


FIG. 3

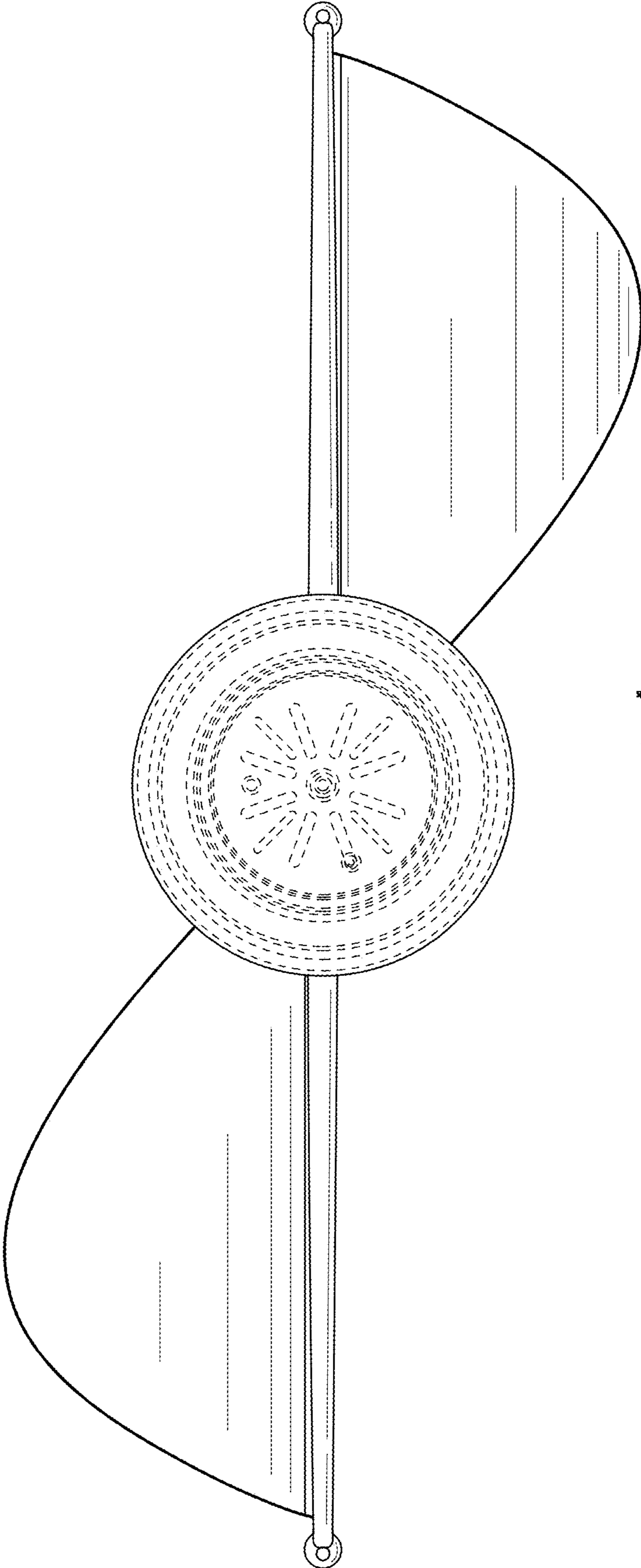


FIG. 4

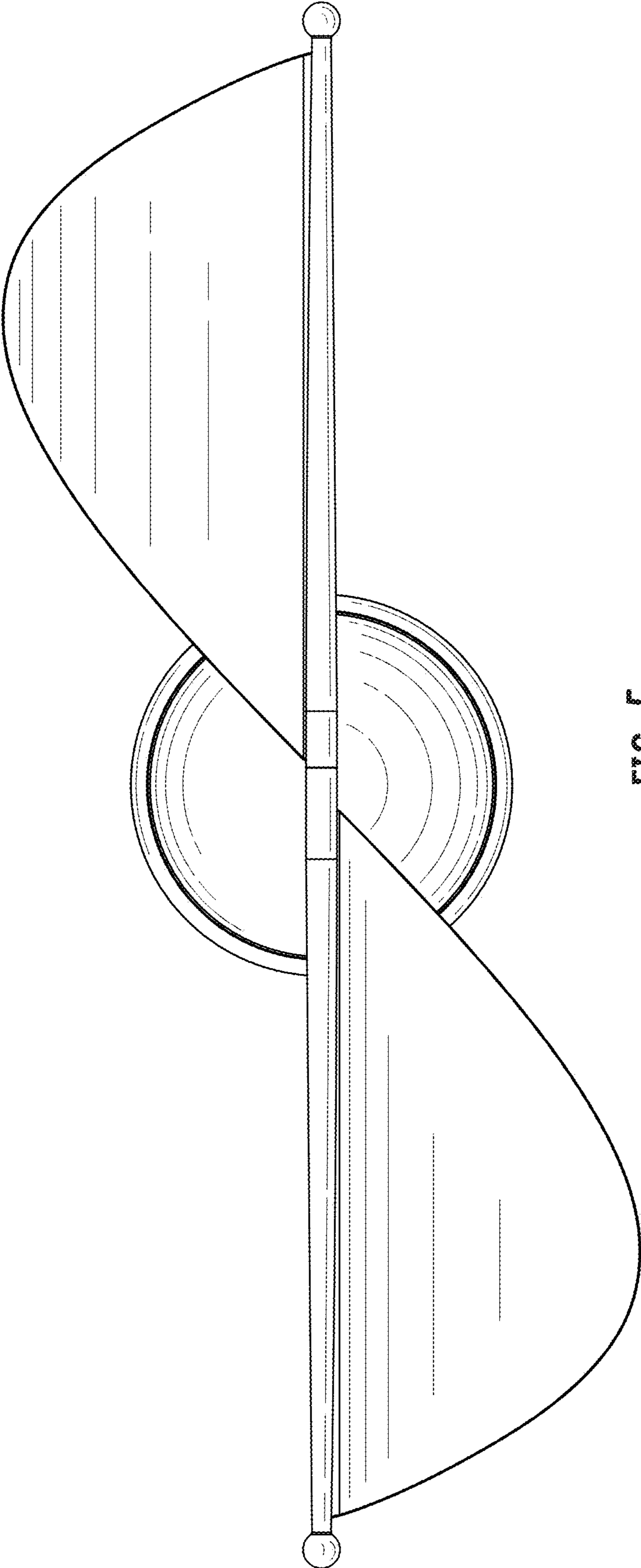


FIG. 5

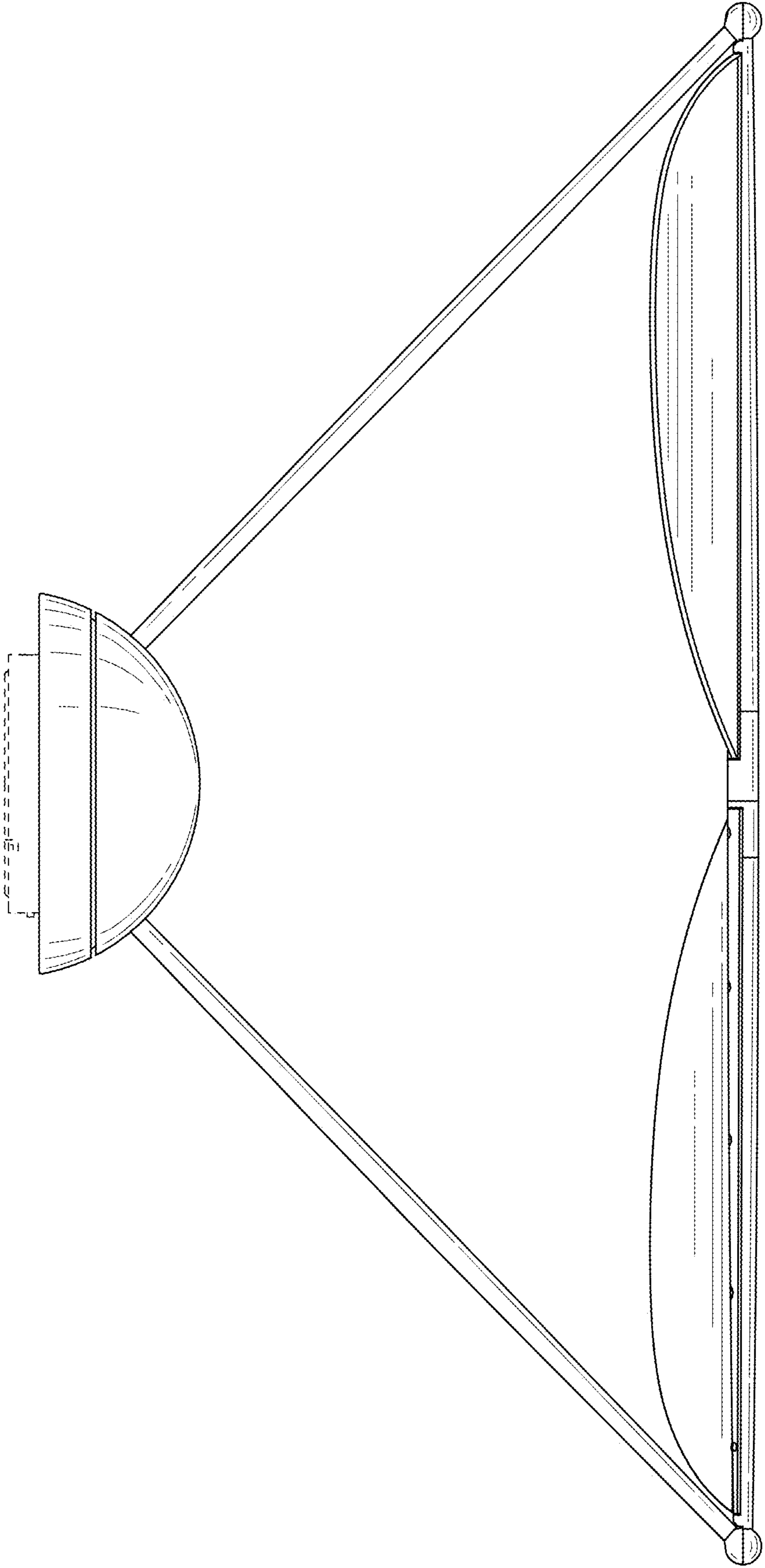


FIG. 6

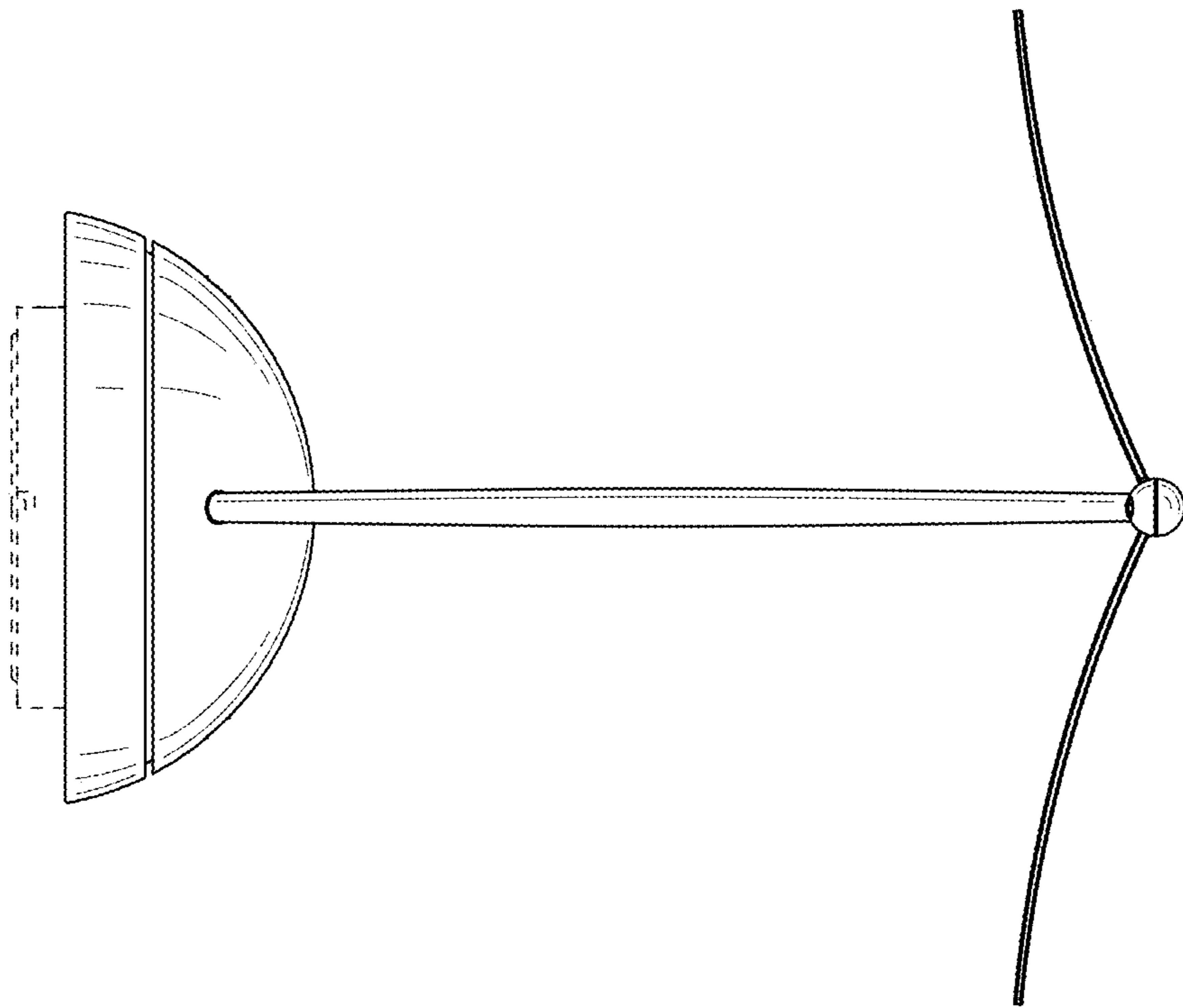


FIG. 7