



US00D969292S

(12) **United States Design Patent**
Yu et al.

(10) **Patent No.:** **US D969,292 S**
(45) **Date of Patent:** **** Nov. 8, 2022**

(54) **AIR FRESHENER**

(71) Applicants: **Daxin Yu**, West Covina, CA (US);
Zhengjie Zhang, Guangzhou (CN)

(72) Inventors: **Daxin Yu**, West Covina, CA (US);
Zhengjie Zhang, Guangzhou (CN)

(**) Term: **15 Years**

(21) Appl. No.: **29/801,069**

(22) Filed: **Jul. 26, 2021**

(30) **Foreign Application Priority Data**

Jan. 27, 2021 (CN) 202130060562.6

(51) **LOC (13) Cl.** **23-04**

(52) **U.S. Cl.**
USPC **D23/366**

(58) **Field of Classification Search**
USPC D23/366
CPC A61L 9/127
See application file for complete search history.

(56) **References Cited**

U.S. PATENT DOCUMENTS

- 2,851,304 A * 9/1958 Timms A47K 10/10
16/436
- D411,294 S * 6/1999 Gutmann D23/355
- D435,896 S * 1/2001 Burgeson D23/366
- D582,533 S * 12/2008 Bodine D23/366

- D699,334 S 2/2014 Alesi et al.
- D703,804 S * 4/2014 Nuzzi, Jr. D23/366
- 9,491,940 B2 * 11/2016 LaRosa A01M 31/008
- D840,528 S 2/2019 Laumond
- D848,856 S * 5/2019 Holbrook D9/688
- D866,741 S 11/2019 Tran et al.
- D901,664 S * 11/2020 Rasmussen D23/366
- D913,472 S * 3/2021 Malek-Ahmadi D23/366
- D913,474 S * 3/2021 Lee D23/366
- D935,008 S * 11/2021 Oura D23/366
- D953,501 S * 5/2022 Seo D23/356
- 2008/0257915 A1 * 10/2008 Wold A61M 11/007
222/389
- 2017/0295893 A1 * 10/2017 D'Alessandro A44C 15/002

* cited by examiner

Primary Examiner — Eliza Z Harvey

(74) *Attorney, Agent, or Firm* — Che-Yang Chen; Law
Office of Michael Chen

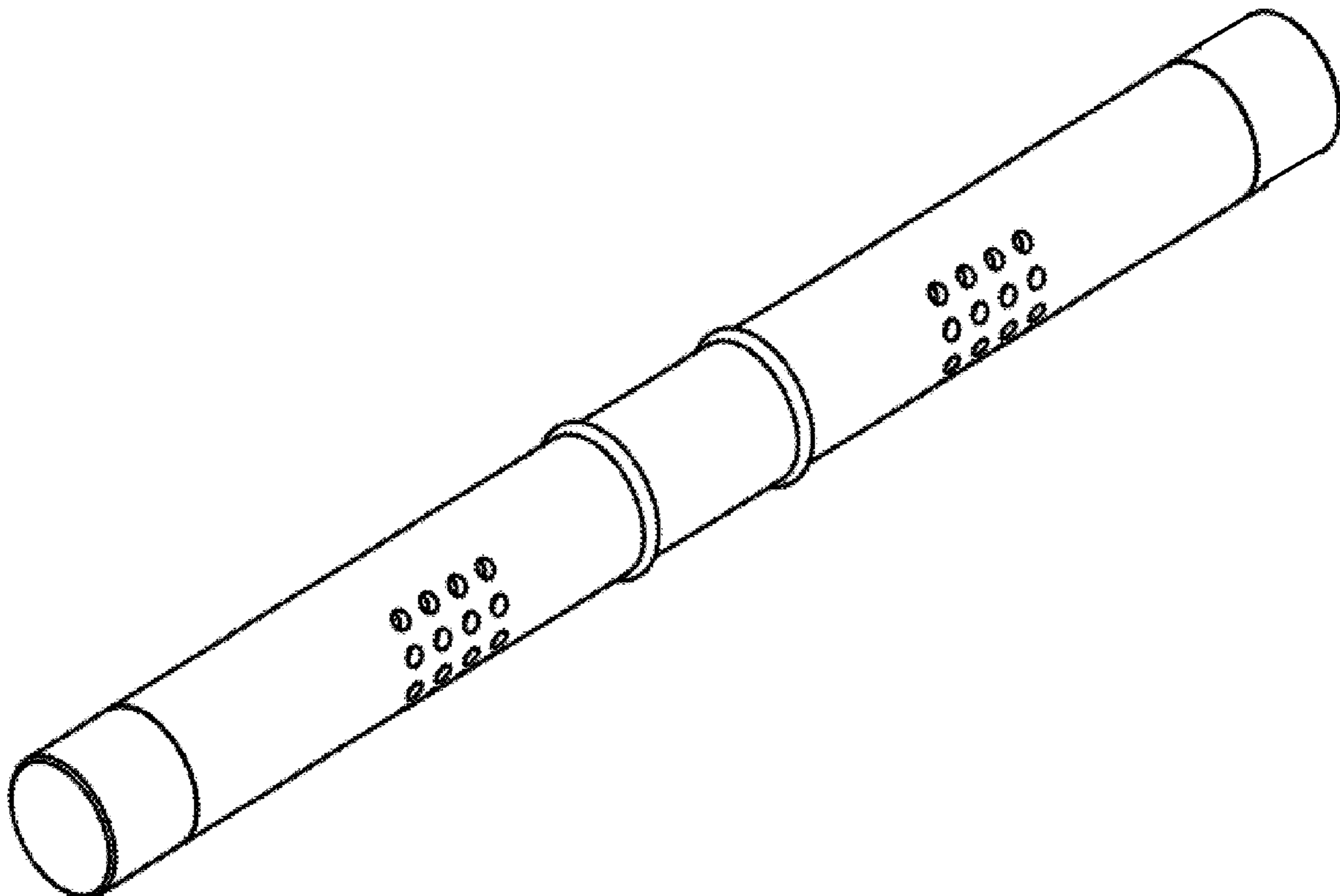
(57) **CLAIM**

The ornamental design for an air freshener, as shown and described.

DESCRIPTION

FIG. 1 is a perspective view of the air freshener showing my new design;
FIG. 2 is a front/rear elevational view thereof;
FIG. 3 is a left side elevational view thereof;
FIG. 4 is a right side elevational view thereof;
FIG. 5 is a top plan view thereof; and,
FIG. 6 is a bottom plan view thereof.

1 Claim, 4 Drawing Sheets



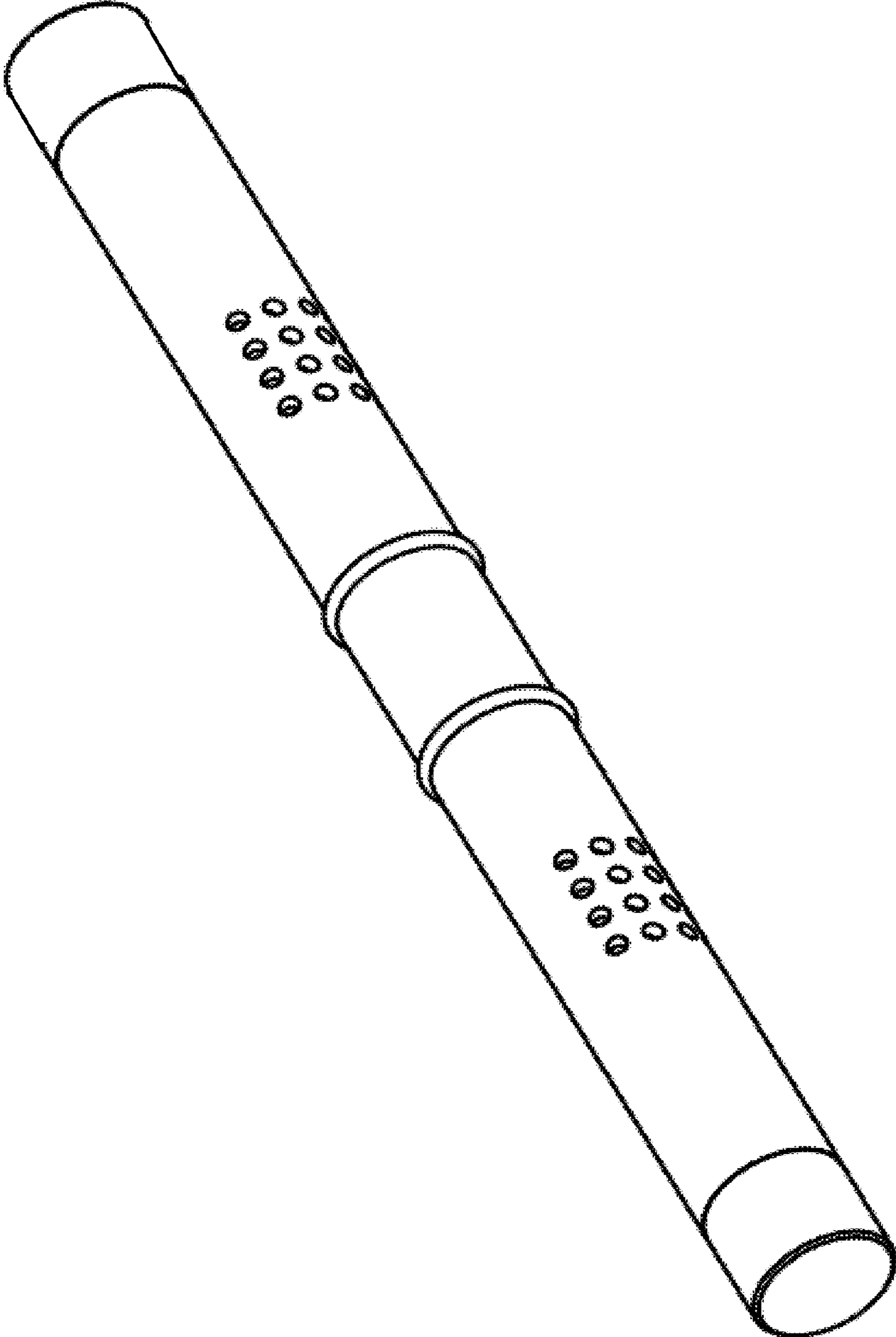


FIG. 1

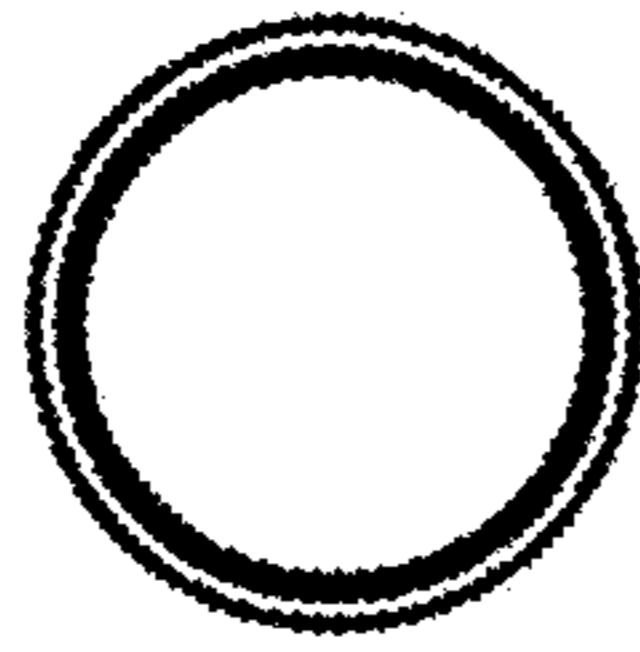


FIG. 2

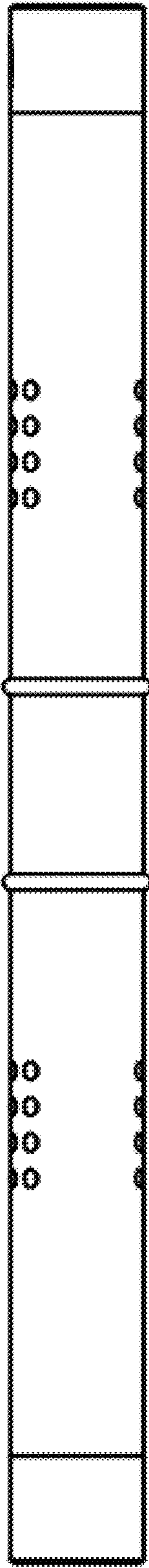


FIG. 3

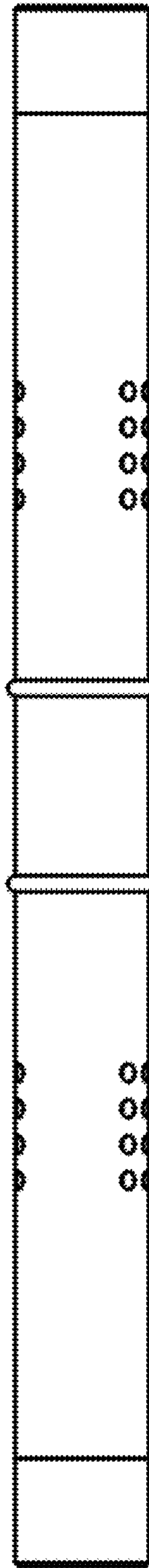


FIG. 4

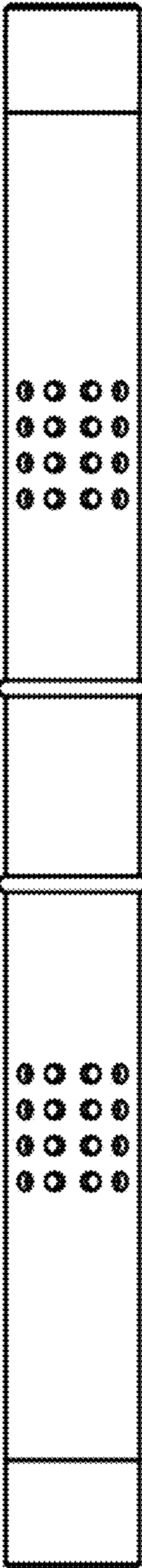


FIG. 5

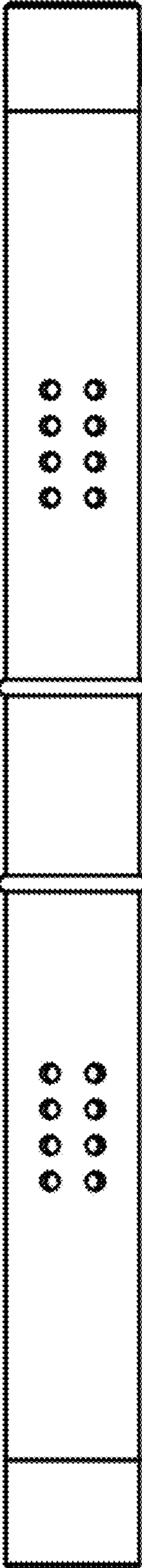


FIG. 6