



US00D969291S

(12) **United States Design Patent** (10) **Patent No.:** **US D969,291 S**
Yang et al. (45) **Date of Patent:** **** Nov. 8, 2022**

(54) **ODOR POD**

FOREIGN PATENT DOCUMENTS

(71) Applicant: **simplehuman, LLC**, Torrance, CA (US)

AU 622536 4/1992
AU 365296 11/2015

(Continued)

(72) Inventors: **Frank Yang**, Rancho Palos Verdes, CA (US); **Tzu-Hao Wei**, Hacienda Heights, CA (US); **Shinwei Rhoda Yen**, Rolling Hills Estates, CA (US); **Myk Lum**, Irvine, CA (US); **Adam Wade**, Rancho Santa Margarita, CA (US)

OTHER PUBLICATIONS

U.S. Appl. No. 13/040,770, filed Mar. 4, 2011, Yang et al.
(Continued)

(73) Assignee: **simplehuman, LLC**, Torrance, CA (US)

Primary Examiner — Angela J Lee
Assistant Examiner — David Obrien

(74) *Attorney, Agent, or Firm* — Knobbe, Martens, Olson & Bear LLP

(**) Term: **15 Years**

(21) Appl. No.: **29/747,945**

(57) **CLAIM**

(22) Filed: **Aug. 26, 2020**

The ornamental design for an odor pod, as shown and described.

(51) **LOC (13) Cl.** **23-04**

(52) **U.S. Cl.**
USPC **D23/366**

(58) **Field of Classification Search**

USPC D23/332, 333, 351–369; D7/300.1, 506; D11/143, 146; D14/188, 194, 195, 197, D14/203.2, 203.6, 204, 209, 213, 215, D14/216, 221, 228; D32/30; D26/26
CPC A61L 9/03; A61L 9/04; A61L 9/05; A61L 9/12; A61L 9/14; A61L 9/22; A61L 9/012; A61L 9/015; A61L 9/048; A61L 9/122; A61L 9/127; A61L 2209/133; A47G 7/06; F24F 6/02; F24F 6/12; Y10S 261/88; Y10S 261/89

See application file for complete search history.

DESCRIPTION

FIG. 1 is a bottom, front, left-side perspective view of an example of an odor pod embodying our new design; FIG. 2 is a top, front, left-side perspective view of the design shown in FIG. 1; FIG. 3 is bottom plan view of the design shown in FIG. 1; FIG. 4 is top plan view of the design shown in FIG. 1; FIG. 5 is a right-side elevation view of the design shown in FIG. 1; FIG. 6 is a left-side elevation view of the design shown in FIG. 1; FIG. 7 is a rear elevation view of the design shown in FIG. 1; and, FIG. 8 is a front elevation view of the design shown in FIG. 1.
The broken lines shown in the figures are for the purpose of illustrating portions of the odor pod and form no part of the claimed design.

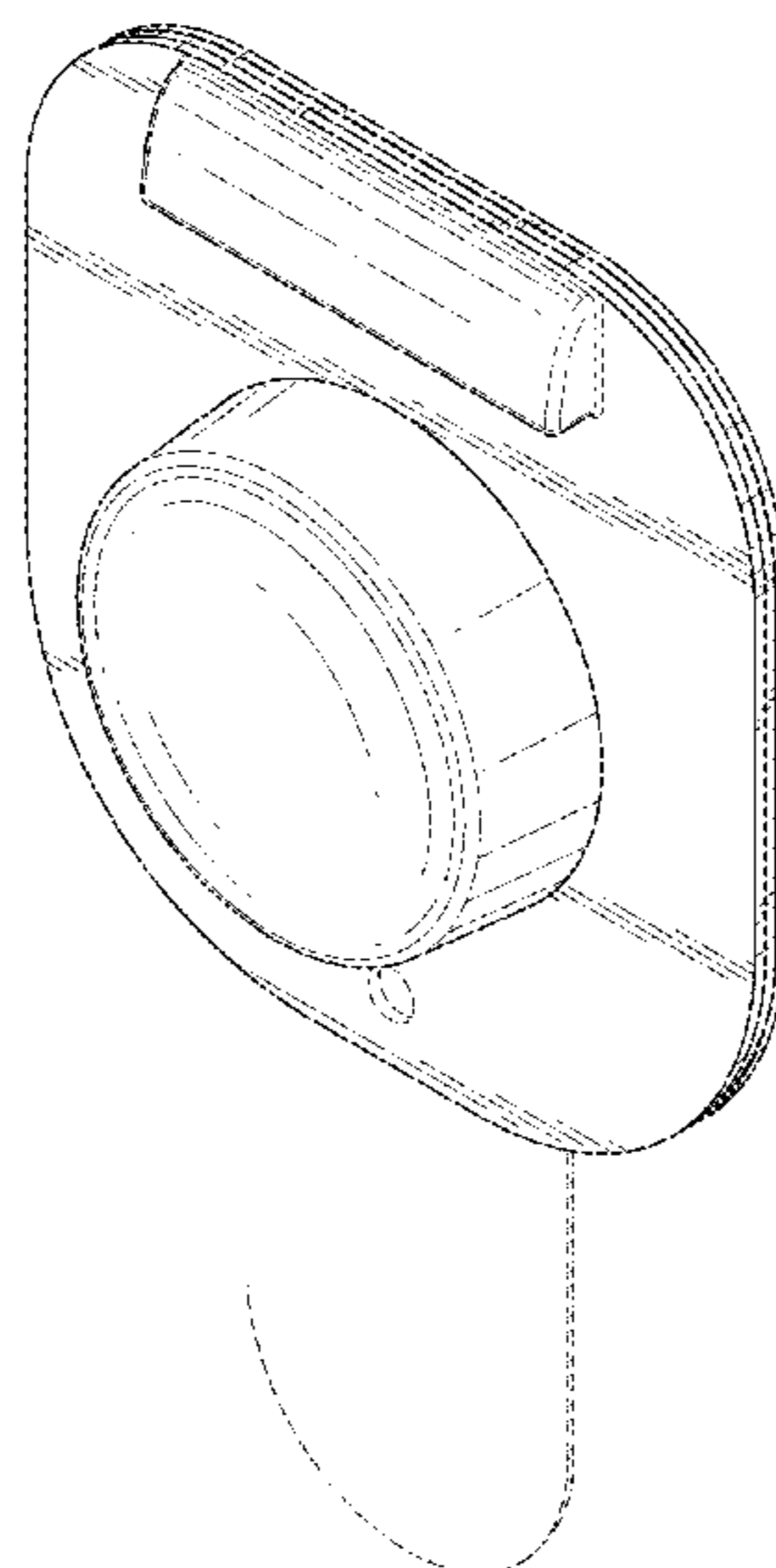
(56) **References Cited**

U.S. PATENT DOCUMENTS

830,182 A 9/1906 Skov
1,426,211 A 8/1922 Pausin
1,461,253 A 7/1923 Owen

(Continued)

1 Claim, 6 Drawing Sheets



(56)

References Cited

U.S. PATENT DOCUMENTS

1,754,802 A	4/1930	Raster	4,944,419 A	7/1990	Chandler
1,820,555 A	8/1931	Buschman	4,948,004 A	8/1990	Chich
1,891,651 A	12/1932	Padelford et al.	4,964,523 A	10/1990	Bieltvedt et al.
1,922,729 A	8/1933	Geibel	4,972,966 A	11/1990	Craft, Jr.
1,980,938 A	11/1934	Geibel	4,996,467 A	2/1991	Day
2,046,777 A	7/1936	Geibel	5,031,793 A	7/1991	Chen et al.
2,308,326 A	1/1943	Ambrose	5,048,903 A	9/1991	Loblein
D148,825 S	2/1948	Snider	5,054,724 A	10/1991	Hutcheson
2,457,274 A	12/1948	Rifken	5,065,272 A	11/1991	Owen et al.
2,593,455 A	4/1952	James	5,065,891 A	11/1991	Casey
2,759,625 A	8/1956	Ritter	D322,350 S	12/1991	Craft, Jr. et al.
2,796,309 A	6/1957	Taylor	5,076,462 A	12/1991	Perrone
2,888,307 A	5/1959	Graves et al.	D323,573 S	1/1992	Schneider
2,946,474 A	7/1960	Knapp	5,090,585 A	2/1992	Power
3,008,604 A	11/1961	Garner	5,090,785 A	2/1992	Stamp
3,023,922 A	3/1962	Arrington et al.	5,100,087 A	3/1992	Ashby
3,137,408 A	6/1964	Taylor	5,111,958 A	5/1992	Witthoef
3,300,082 A	1/1967	Patterson	D327,760 S	7/1992	Donnelly
3,392,825 A	7/1968	Gale et al.	D329,929 S	9/1992	Knoedler et al.
3,451,453 A	6/1969	Heck	5,147,055 A	9/1992	Samson et al.
3,654,534 A	4/1972	Fischer	5,156,290 A	10/1992	Rodrigues
3,800,503 A	4/1974	Maki	D331,097 S	11/1992	Sieren
3,820,200 A	6/1974	Myers	5,170,904 A	12/1992	Neuhaus
3,825,150 A	7/1974	Taylor	5,174,462 A	12/1992	Hames
3,825,215 A	7/1974	Borglum	D332,852 S	1/1993	Delmerico
3,886,425 A	5/1975	Weiss	D335,562 S	5/1993	Evans
3,888,406 A	6/1975	Nippes	5,213,272 A	5/1993	Gallagher et al.
3,891,115 A	6/1975	Ono	5,222,704 A	6/1993	Light
4,014,457 A	3/1977	Hodge	D337,181 S	7/1993	Warman
4,027,774 A	6/1977	Cote	5,226,558 A	7/1993	Whitney et al.
4,081,105 A	3/1978	Dagonnet et al.	5,230,525 A	7/1993	Delmerico et al.
4,189,808 A	2/1980	Brown	5,242,074 A	9/1993	Conaway et al.
4,200,197 A	4/1980	Meyer et al.	D340,333 S	10/1993	Duran et al.
4,217,616 A	8/1980	Jessup	5,249,693 A	10/1993	Gillispie et al.
4,303,174 A	12/1981	Anderson	5,261,553 A	11/1993	Mueller et al.
4,320,851 A	3/1982	Montoya	5,265,511 A	11/1993	Itzov
4,349,123 A	9/1982	Yang	5,295,607 A	3/1994	Chang
4,357,740 A	11/1982	Brown	5,305,916 A	4/1994	Suzuki et al.
4,416,197 A	11/1983	Kehl	5,314,151 A	5/1994	Carter-Mann
4,417,669 A	11/1983	Knowles et al.	5,322,179 A	6/1994	Ting
4,457,483 A	7/1984	Gagne	5,329,212 A	7/1994	Feigleson
4,535,911 A	8/1985	Goulter	5,348,222 A	9/1994	Patey
4,570,304 A	2/1986	Montreuil et al.	5,353,950 A	10/1994	Taylor et al.
4,576,310 A	3/1986	Isgar et al.	5,372,272 A	12/1994	Jennings
D284,320 S	6/1986	Kubic et al.	5,381,588 A	1/1995	Nelson
4,609,117 A	9/1986	Pamment	5,385,258 A	1/1995	Sutherlin
4,630,332 A	12/1986	Bisbing	5,390,818 A	2/1995	LaBuda
4,630,752 A	12/1986	DeMars	5,404,621 A	4/1995	Heinke
4,664,347 A	5/1987	Brown et al.	5,407,089 A	4/1995	Bird et al.
4,697,312 A	10/1987	Freyer	5,419,452 A	5/1995	Mueller et al.
4,711,161 A	12/1987	Swin et al.	5,471,708 A	12/1995	Lynch
4,729,490 A	3/1988	Ziegenbein	5,474,201 A	12/1995	Liu
4,753,367 A	6/1988	Miller et al.	5,501,358 A	3/1996	Hobday
4,763,808 A	8/1988	Guhl et al.	D368,563 S	4/1996	Brightbill et al.
4,765,548 A	8/1988	Sing	5,520,067 A	5/1996	Gaba
4,765,579 A	8/1988	Robbins, III et al.	5,520,303 A	5/1996	Bernstein et al.
4,785,964 A	11/1988	Miller et al.	5,527,840 A	6/1996	Chutko et al.
4,792,039 A	12/1988	Dayton	5,531,348 A	7/1996	Baker et al.
4,794,973 A	1/1989	Perisic	5,535,913 A	7/1996	Asbach et al.
4,813,592 A	3/1989	Stolzman	5,558,254 A	9/1996	Anderson et al.
4,823,979 A	4/1989	Clark, Jr.	5,560,283 A	10/1996	Hannig
4,834,260 A	5/1989	Auten	5,584,412 A	12/1996	Wang
4,863,053 A	9/1989	Oberg	D377,554 S	1/1997	Adriaansen
4,867,339 A	9/1989	Hahn	5,611,507 A	3/1997	Smith
4,869,391 A	9/1989	Farrington	5,628,424 A	5/1997	Gola
4,884,717 A	12/1989	Bussard et al.	5,632,401 A	5/1997	Hurd
4,888,532 A	12/1989	Josson	5,636,416 A	6/1997	Anderson
4,892,223 A	1/1990	DeMent	5,636,761 A	6/1997	Diamond et al.
4,892,224 A	1/1990	Graham	5,644,111 A	7/1997	Cerny et al.
D307,344 S	4/1990	Massonnet	5,645,186 A	7/1997	Powers et al.
4,913,308 A	4/1990	Culbertson	5,650,680 A	7/1997	Chula
4,915,347 A	4/1990	Iqbal et al.	D383,277 S	9/1997	Peters
4,918,568 A	4/1990	Stone et al.	5,662,235 A	9/1997	Nieto
D308,272 S	5/1990	Koepsell	5,671,847 A	9/1997	Pedersen et al.
4,923,087 A	5/1990	Burrows	5,690,247 A	11/1997	Boover
			5,695,088 A	12/1997	Kasbohm
			5,699,929 A	12/1997	Ouno
			D388,922 S	1/1998	Peters
			D389,631 S	1/1998	Peters

(56)

References Cited

U.S. PATENT DOCUMENTS

5,704,511 A	1/1998	Kellams	6,774,586 B1	8/2004	Shih
5,724,837 A	3/1998	Shin	6,785,912 B1	9/2004	Julio
5,730,312 A	3/1998	Hung	6,812,655 B1	11/2004	Wang et al.
5,732,845 A	3/1998	Armaly, Jr.	6,814,249 B2	11/2004	Lin
5,735,495 A	4/1998	Kubota	D499,450 S	12/2004	Goodman et al.
5,738,239 A	4/1998	Triglia	6,837,393 B1	1/2005	Kuo
5,770,935 A	6/1998	Smith et al.	6,857,538 B2	2/2005	Lin
5,799,909 A	9/1998	Ziegler	6,859,005 B2	2/2005	Boliver
5,816,431 A	10/1998	Giannopoulos	D503,021 S	3/2005	Yang et al.
5,816,640 A	10/1998	Nishimura	D503,022 S	3/2005	Lai
D401,028 S	11/1998	Ahern, Jr. et al.	D503,502 S	3/2005	Lai
D401,383 S	11/1998	Gish	6,866,826 B2	3/2005	Moore et al.
D401,719 S	11/1998	Van Leeuwen et al.	6,883,676 B2	4/2005	Lin
5,873,643 A	2/1999	Burgess, Jr. et al.	D507,090 S	7/2005	Yang et al.
5,881,896 A	3/1999	Presnell et al.	6,920,994 B2	7/2005	Lin
5,881,901 A	3/1999	Hampton	D509,339 S	9/2005	Lin
5,884,237 A	3/1999	Kanki et al.	6,974,948 B1	12/2005	Brent
5,887,748 A	3/1999	Nguyen	D513,445 S	1/2006	Lin
D412,552 S	8/1999	Burrows	6,981,606 B2	1/2006	Yang et al.
5,961,105 A	10/1999	Ehrnsberger et al.	D517,764 S	3/2006	Wang
5,967,355 A	10/1999	Ragot	D517,767 S	3/2006	Yang et al.
5,967,392 A	10/1999	Niemi et al.	D518,266 S	3/2006	Yang et al.
5,987,708 A	11/1999	Newton	7,017,773 B2	3/2006	Gruber et al.
6,000,569 A	12/1999	Liu	D522,203 S	5/2006	Lin
6,010,024 A	1/2000	Wang	D522,204 S	5/2006	Lin
6,024,238 A	2/2000	Jaros	7,044,323 B2	5/2006	Yang
6,036,050 A	3/2000	Ruane	D522,704 S	6/2006	Lin
6,102,239 A	8/2000	Wien	D524,504 S	7/2006	Lin
6,105,859 A	8/2000	Stafford	D525,756 S	7/2006	Yang et al.
6,123,215 A	9/2000	Windle	7,073,677 B2	7/2006	Richardson et al.
D431,700 S	10/2000	Roudebush	7,077,283 B2	7/2006	Yang et al.
6,126,031 A	10/2000	Reason	7,080,750 B2	7/2006	Wein et al.
6,129,233 A	10/2000	Schiller	D526,457 S	8/2006	Lin
6,131,861 A	10/2000	Fortier, Jr. et al.	D526,458 S	8/2006	Lin
D435,951 S	1/2001	Yang et al.	D526,756 S	8/2006	Lin
6,209,744 B1	4/2001	Gill	7,086,550 B2	8/2006	Yang et al.
6,211,637 B1	4/2001	Studer	D528,726 S	9/2006	Lin
6,234,339 B1	5/2001	Thomas	D530,476 S	10/2006	Lin
6,250,492 B1	6/2001	Verbeek	D530,874 S	10/2006	Lin
D445,980 S	7/2001	Tjugum	7,121,421 B2	10/2006	Yang et al.
6,286,706 B1	9/2001	Tucker	D531,499 S	11/2006	Zaidman
6,328,320 B1	12/2001	Walski et al.	D535,450 S	1/2007	Chen
6,345,725 B1	2/2002	Lin	D535,799 S	1/2007	Epps
6,364,147 B1	4/2002	Meinzinger et al.	D535,800 S	1/2007	Yang et al.
6,386,386 B1	5/2002	George	7,163,591 B2	1/2007	Kim et al.
6,390,321 B1	5/2002	Wang	7,168,591 B1	1/2007	Miller
6,401,958 B1	6/2002	Foss et al.	D537,223 S	2/2007	Lin
D466,667 S	12/2002	Lin	D537,597 S	2/2007	Bolden
6,519,130 B1	2/2003	Breslow	D537,599 S	2/2007	Lin
6,557,716 B1	5/2003	Chan	D537,601 S	2/2007	Lin
D476,456 S	6/2003	Englert et al.	D537,999 S	3/2007	Lin
D476,457 S	6/2003	Verbeek	D538,995 S	3/2007	Lin
6,596,983 B2	7/2003	Brent	D539,498 S	3/2007	Yang et al.
D480,193 S	9/2003	Wang	D539,499 S	3/2007	Yang et al.
6,612,099 B2	9/2003	Stravitz	D540,001 S	4/2007	Zimmerman
6,626,316 B2	9/2003	Yang	D542,001 S	5/2007	Yang et al.
6,626,317 B2	9/2003	Pfiefer et al.	D542,995 S	5/2007	Lin
D481,508 S	10/2003	Wang	D543,673 S	5/2007	Yang et al.
6,632,064 B1	10/2003	Walker et al.	D544,170 S	6/2007	Lin
D481,846 S	11/2003	Lin	D544,171 S	6/2007	Lin
D482,169 S	11/2003	Lin	D544,671 S	6/2007	Saunders et al.
6,659,407 B2	12/2003	Asaro	D545,024 S	6/2007	Liao
6,681,950 B2	1/2004	Miller, Jr. et al.	7,225,943 B2	6/2007	Yang et al.
6,701,832 B1	3/2004	Hawkins	D547,020 S	7/2007	Chen
D488,604 S	4/2004	Yang et al.	7,243,811 B1	7/2007	Ramsey
D488,903 S	4/2004	Yang et al.	D550,918 S	9/2007	Wang et al.
D489,503 S	5/2004	Lin	D552,319 S	10/2007	Gusdorf
D489,855 S	5/2004	Tseng	D552,321 S	10/2007	Yang et al.
D489,857 S	5/2004	Yang et al.	D552,823 S	10/2007	Yang et al.
D490,583 S	5/2004	Yang et al.	D552,824 S	10/2007	Zimmerman
D490,954 S	6/2004	Brand	D552,825 S	10/2007	Yang et al.
D491,706 S	6/2004	Yang et al.	D555,320 S	11/2007	Yang et al.
6,758,366 B2	7/2004	Bourgund et al.	D557,869 S	12/2007	Hawker et al.
D493,930 S	8/2004	Wang	D559,494 S	1/2008	Yang et al.
D494,723 S	8/2004	Lin	D559,495 S	1/2008	Yang et al.
			D562,522 S	2/2008	Daams
			7,328,842 B2	2/2008	Wagner et al.
			D564,169 S	3/2008	Wang
			D564,723 S	3/2008	Yang et al.

(56)

References Cited

U.S. PATENT DOCUMENTS

D566,367 S	4/2008	Lin	D635,319 S	3/2011	Meyerhoffer
D566,369 S	4/2008	Shek	7,896,187 B2	3/2011	Haibel
D566,923 S	4/2008	Lin	7,922,024 B2	4/2011	Yang et al.
D567,468 S	4/2008	Yang et al.	7,950,543 B2	5/2011	Yang et al.
D568,572 S	5/2008	Yang et al.	D639,520 S	6/2011	Lin
D569,720 S	5/2008	Lablaine	D644,390 S	8/2011	Smeets et al.
7,374,060 B2	5/2008	Yang et al.	7,992,742 B1	8/2011	Kim
D571,520 S	6/2008	Lin	8,006,857 B2	8/2011	Lin
D574,119 S	7/2008	Sofy	D644,806 S	9/2011	Yang et al.
7,395,990 B1	7/2008	Stevens	D644,807 S	9/2011	Yang et al.
7,398,913 B2	7/2008	McClure	D649,728 S	11/2011	Campbell
7,404,499 B1	7/2008	Ramsey	8,074,833 B2	12/2011	Yang et al.
D574,569 S	8/2008	Yang et al.	8,096,445 B2	1/2012	Yang et al.
D575,860 S *	8/2008	Wu D23/366	D655,061 S	2/2012	Scaturro
D576,371 S	9/2008	Zimmerman	8,136,688 B2	3/2012	Lee et al.
D578,265 S	10/2008	Presnell	D657,108 S	4/2012	Yang et al.
D578,266 S	10/2008	Yang et al.	D657,109 S	4/2012	Liao
D578,268 S	10/2008	Yang et al.	8,297,470 B2	10/2012	Yang et al.
D578,722 S	10/2008	Yang et al.	8,317,055 B2	11/2012	Zawrotny et al.
7,438,199 B1	10/2008	Tidrick	D672,520 S	12/2012	Yang et al.
D580,120 S	11/2008	Lin	D673,750 S	1/2013	Quan
D580,613 S	11/2008	Yang et al.	D675,802 S	2/2013	Yang et al.
D580,615 S	11/2008	Yang et al.	D675,803 S	2/2013	Yang et al.
D581,622 S	11/2008	Presnell et al.	8,393,489 B1	3/2013	Stravitz
D582,121 S	12/2008	Wang et al.	8,418,869 B2	4/2013	Yang et al.
D584,470 S	1/2009	Bizzell et al.	D684,741 S	6/2013	Harris
D585,171 S	1/2009	Bizzell et al.	D689,255 S	9/2013	Sun Ting Kung et al.
D585,172 S	1/2009	Lin	D691,254 S *	10/2013	Sanders D23/366
D585,618 S	1/2009	Yang et al.	8,567,630 B2	10/2013	Yang et al.
D586,065 S	2/2009	Lin	8,569,980 B2	10/2013	Yang et al.
D586,066 S	2/2009	Lin	D694,382 S *	11/2013	Brandenburg D23/366
D586,069 S	2/2009	Lin	8,575,537 B2	11/2013	Yao et al.
D586,070 S	2/2009	Lin	D696,762 S *	12/2013	Lin D23/366
7,494,021 B2	2/2009	Yang et al.	8,607,932 B2	12/2013	Cooper et al.
D587,874 S	3/2009	Lin	8,672,171 B2	3/2014	Wynn et al.
D588,321 S	3/2009	Schoofs	8,678,219 B1	3/2014	Wang et al.
D589,670 S	3/2009	Smeets	8,686,676 B2	4/2014	Yang et al.
D593,271 S	5/2009	Yang et al.	D704,406 S	5/2014	Kern
7,530,578 B2	5/2009	Niemeyer et al.	8,716,969 B2	5/2014	Yang et al.
7,540,396 B2	6/2009	Yang et al.	8,720,728 B2	5/2014	Yang et al.
7,543,716 B2	6/2009	Lin	D709,172 S *	7/2014	Brandenburg D23/366
D596,820 S	7/2009	Yang et al.	D709,662 S	7/2014	Yang et al.
7,559,433 B2	7/2009	Yang et al.	8,766,582 B2	7/2014	Yang et al.
D599,074 S	8/2009	Bizzell et al.	8,807,378 B2	8/2014	Kaberna
D599,971 S	9/2009	Lin	8,807,379 B1	8/2014	Hammond
D603,119 S	10/2009	Yang et al.	D714,510 S	9/2014	Yang et al.
7,607,552 B2	10/2009	Efstathiou	D715,575 S	10/2014	Williams et al.
D604,472 S	11/2009	Blanks et al.	D716,015 S	10/2014	van de Leest
7,614,519 B2	11/2009	Krauth et al.	8,851,316 B2	10/2014	Barrett et al.
7,621,420 B2	11/2009	Bandoh et al.	8,872,459 B2	10/2014	Yang et al.
D608,069 S	1/2010	Schoofs	D717,012 S	11/2014	Han
7,656,109 B2	2/2010	Yang et al.	D717,013 S	11/2014	Han
D611,216 S	3/2010	Yang et al.	D717,014 S	11/2014	Han
D611,217 S	3/2010	Bizzell et al.	D717,015 S	11/2014	Han
D611,671 S	3/2010	Yang et al.	D719,313 S	12/2014	Kao
7,694,838 B2	4/2010	Yang et al.	D725,860 S	3/2015	Spivey et al.
7,703,622 B1	4/2010	Bynoe	D725,861 S	3/2015	Yang et al.
D615,270 S	5/2010	Yang et al.	D730,008 S	5/2015	Yang et al.
D615,722 S	5/2010	Yang et al.	9,051,093 B2	6/2015	Yang et al.
7,712,285 B2	5/2010	Stravitz et al.	D755,461 S	5/2016	Wall
7,741,801 B2	6/2010	Fukuizumi	D758,686 S	6/2016	Beumer
7,748,556 B2	7/2010	Yang et al.	D759,934 S	6/2016	Yang et al.
7,781,995 B2	8/2010	Yang et al.	D762,037 S	7/2016	Chen
D623,817 S	9/2010	Yang et al.	D765,937 S	9/2016	Chen
D625,068 S	10/2010	Shannon	D766,998 S	9/2016	Kao et al.
7,806,285 B2	10/2010	Yang et al.	9,434,538 B2	9/2016	Yang et al.
D627,533 S	11/2010	Yang et al.	D770,121 S	10/2016	Chen
D627,944 S	11/2010	Wang et al.	D771,344 S	11/2016	Yang et al.
D629,172 S	12/2010	Liao	D773,145 S	11/2016	Yang et al.
D629,579 S	12/2010	Lin	9,481,515 B2	11/2016	Yang et al.
D630,404 S	1/2011	Yang et al.	D773,769 S	12/2016	Chen
D631,221 S	1/2011	Yang et al.	9,573,759 B2	2/2017	Yang et al.
D632,039 S	2/2011	Yang et al.	9,586,755 B1	3/2017	Yang et al.
D632,864 S	2/2011	Yang et al.	D787,828 S	5/2017	Thoma et al.
D634,911 S	3/2011	Yang et al.	D790,145 S	6/2017	Chen
			D793,642 S	8/2017	Yang et al.
			D794,765 S *	8/2017	Brandenburg D23/366
			D798,016 S	9/2017	Yang et al.
			D804,133 S	9/2017	Yang et al.

(56)

References Cited

U.S. PATENT DOCUMENTS

9,751,692 B2	9/2017	Yang et al.	2005/0103788 A1	5/2005	Yang et al.
9,790,025 B2	10/2017	Yang et al.	2005/0129803 A1	6/2005	Umeda et al.
9,856,080 B2	1/2018	Yang et al.	2005/0133506 A1	6/2005	Yang et al.
D820,544 S	6/2018	Joseph	2005/0230396 A1	10/2005	Yang et al.
D825,876 S	8/2018	Chen	2005/0230397 A1	10/2005	Yang et al.
D826,390 S *	8/2018	Brandenburg D23/366	2005/0258177 A1	11/2005	Woodson
D827,968 S	9/2018	Chen	2005/0258794 A1	11/2005	Fukuizumi
D829,400 S	9/2018	Yang et al.	2005/0284870 A1	12/2005	Yang et al.
D830,029 S	10/2018	Greenspoon et al.	2006/0027579 A1	2/2006	Yang et al.
D835,374 S	12/2018	Yang et al.	2006/0056741 A1	3/2006	Yang et al.
D835,376 S	12/2018	Yang et al.	2006/0103086 A1	5/2006	Niemeyer et al.
D836,278 S	12/2018	Berberet et al.	2006/0110537 A1	5/2006	Huang et al.
D840,628 S	2/2019	Chang	2006/0138149 A1	6/2006	Tracy
D845,576 S	4/2019	Lu	2006/0156948 A1	7/2006	Hendriks et al.
D849,221 S *	5/2019	Brandenburg D23/366	2006/0163257 A1	7/2006	Golbert
10,279,996 B2	5/2019	Yang et al.	2006/0175336 A1	8/2006	Wang
10,279,997 B2	5/2019	Yang et al.	2006/0186121 A1	8/2006	Yang et al.
D851,350 S	6/2019	Lu	2006/0196874 A1	9/2006	Yang
D853,067 S	7/2019	Chen	2006/0213910 A1	9/2006	Yang et al.
D855,919 S	8/2019	Yang et al.	2006/0226149 A1	10/2006	Yang et al.
D858,024 S	8/2019	Yang et al.	2006/0237641 A1	10/2006	Moeller et al.
D858,923 S	9/2019	Yang et al.	2006/0249510 A1	11/2006	Lin
D861,076 S	9/2019	Chen	2006/0255033 A1	11/2006	Yang et al.
10,472,170 B2	11/2019	Yang et al.	2006/0261071 A1	11/2006	Yang et al.
10,494,175 B2	12/2019	Yang et al.	2006/0278643 A1	12/2006	Chiou
D874,776 S	2/2020	Spadotto	2007/0012699 A1	1/2007	Yang et al.
10,654,648 B1	5/2020	Rodriguez	2007/0029323 A1	2/2007	Yang et al.
10,683,165 B2	6/2020	Yang et al.	2007/0034334 A1	2/2007	Ramsey et al.
D890,317 S *	7/2020	Riley D23/366	2007/0045326 A1	3/2007	Tramontina et al.
10,723,549 B2	7/2020	Yang et al.	2007/0090112 A1	4/2007	Kalman et al.
D896,946 S *	9/2020	Gobber D23/366	2007/0114847 A1	5/2007	Ichimaru et al.
D901,815 S	11/2020	Yang et al.	2007/0181579 A1	8/2007	Kuo et al.
10,906,738 B2	2/2021	Barry	2007/0182551 A1	8/2007	Yang et al.
11,027,916 B2	6/2021	Yang et al.	2007/0205195 A1	9/2007	Yang et al.
D925,153 S	7/2021	Busch	2007/0209846 A1	9/2007	Wilson
D930,933 S	9/2021	Yang et al.	2007/0215622 A1	9/2007	Perez
11,136,186 B2	10/2021	Yang et al.	2007/0241109 A1	10/2007	Lin
11,279,555 B2	3/2022	Yang et al.	2007/0266637 A1	11/2007	McGowan
2001/0002690 A1	6/2001	Rosky	2007/0272691 A1	11/2007	Wang et al.
2001/0020619 A1	9/2001	Pfeifer et al.	2007/0289972 A1	12/2007	Wynn et al.
2001/0045512 A1	11/2001	Brent	2008/0011754 A1	1/2008	Ramsey
2002/0009567 A1	1/2002	Brand	2008/0011910 A1	1/2008	Ramsey
2002/0066736 A1	6/2002	Pyles	2008/0041863 A1	2/2008	Forest
2002/0079315 A1	6/2002	Yang	2008/0083756 A1	4/2008	Daniels
2002/0092853 A1	7/2002	Wang	2008/0083757 A1	4/2008	Parker et al.
2002/0096523 A1	7/2002	Pyles	2008/0099274 A1	5/2008	Seel
2002/0096524 A1	7/2002	Hardesty	2008/0128428 A1	6/2008	Beckerman
2002/0100758 A1	8/2002	Pyles	2008/0164257 A1	7/2008	Boll et al.
2002/0104266 A1	8/2002	Ranaudo	2008/0236275 A1	10/2008	Breed et al.
2002/0116924 A1	8/2002	Winkelmann et al.	2008/0237234 A1	10/2008	Yang et al.
2002/0185199 A1	12/2002	Myers et al.	2008/0245794 A1	10/2008	Escobar et al.
2003/0089719 A1	5/2003	Berger	2008/0257889 A1	10/2008	Kovacevich et al.
2003/0102316 A1	6/2003	Forest	2008/0257890 A1	10/2008	Kovacevich et al.
2003/0201265 A1	10/2003	Lin	2008/0257891 A1	10/2008	Kovacevich et al.
2003/0201267 A1	10/2003	Yang et al.	2008/0264948 A1	10/2008	Kovacevich et al.
2003/0205979 A1	11/2003	Papari et al.	2008/0264950 A1	10/2008	Kovacevich et al.
2003/0230576 A1	12/2003	Lin	2008/0272119 A1	11/2008	Efstathiou
2004/0004080 A1	1/2004	Yang et al.	2008/0272127 A1	11/2008	Kovacevich et al.
2004/0016756 A1	1/2004	Lin	2009/0008888 A1	1/2009	Boulden
2004/0020927 A1	2/2004	Yang et al.	2009/0071959 A1	3/2009	Cheung
2004/0028572 A1	2/2004	Sham et al.	2009/0084788 A1	4/2009	Yang et al.
2004/0134924 A1	7/2004	Hansen et al.	2009/0136341 A1	5/2009	Kenyon
2004/0140782 A1	7/2004	Okabe et al.	2009/0194532 A1	8/2009	Yang et al.
2004/0164077 A1	8/2004	Kuo	2009/0214606 A1	8/2009	Bujard et al.
2004/0174268 A1	9/2004	Scott et al.	2009/0230131 A1	9/2009	McDuffie et al.
2004/0175303 A1	9/2004	Lin	2009/0261105 A1	10/2009	Cunningham et al.
2004/0199401 A1	10/2004	Wagner	2009/0266836 A1	10/2009	Mobley
2004/0200938 A1	10/2004	Forlivio	2010/0006572 A1	1/2010	Chiou
2004/0206758 A1	10/2004	Lin	2010/0084235 A1	4/2010	Lu
2004/0206760 A1	10/2004	Gagnebin	2010/0096894 A1	4/2010	Fukai
2004/0250711 A1	12/2004	Ernst	2010/0122985 A1	5/2010	Peters et al.
2004/0251746 A1	12/2004	Ichimaru et al.	2010/0147865 A1	6/2010	Yang et al.
2005/0017006 A1	1/2005	Kuo	2010/0170904 A1	7/2010	Kalman et al.
2005/0017010 A1	1/2005	Siegel et al.	2010/0176126 A1	7/2010	Shikano
2005/0029281 A1	2/2005	Westermann et al.	2010/0178105 A1	7/2010	Monneret
			2010/0193518 A1	8/2010	Tontarelli
			2010/0219191 A1	9/2010	Prosa
			2010/0224627 A1	9/2010	Yang et al.
			2010/0237074 A1	9/2010	Yang et al.

(56)

References Cited

U.S. PATENT DOCUMENTS

2010/0252557 A1 10/2010 Clements
 2010/0294769 A1 11/2010 Lee et al.
 2010/0308049 A1 12/2010 Yang et al.
 2011/0017735 A1 1/2011 Wang et al.
 2011/0049149 A1 3/2011 Shih
 2011/0056952 A1 3/2011 Borowski et al.
 2011/0139781 A1 6/2011 Jin et al.
 2011/0220646 A1 9/2011 Yang et al.
 2011/0220647 A1 9/2011 Yang et al.
 2011/0220648 A1 9/2011 Yang et al.
 2011/0220655 A1 9/2011 Yang et al.
 2011/0272409 A1 11/2011 Kasbohm
 2012/0111895 A1 5/2012 Fitzpatrick et al.
 2012/0145932 A1 6/2012 Yao et al.
 2012/0234836 A1 9/2012 Barrett et al.
 2012/0234849 A1 9/2012 Hughes et al.
 2012/0248149 A1 10/2012 Pelfrey
 2012/0261423 A1 10/2012 Zawrotny et al.
 2013/0048641 A1 2/2013 Romano
 2013/0097809 A1 4/2013 Weber et al.
 2013/0098913 A1 4/2013 Yang et al.
 2013/0105487 A1 5/2013 Baik
 2013/0193145 A1 8/2013 Yang et al.
 2013/0233853 A1 9/2013 Yang et al.
 2013/0233857 A1 9/2013 Yang et al.
 2013/0240592 A1 9/2013 Woodruff
 2013/0248532 A1 9/2013 Yang et al.
 2013/0248535 A1 9/2013 Wolfe et al.
 2013/0300119 A1 11/2013 Anzalon et al.
 2014/0183193 A1 7/2014 Hammond et al.
 2014/0238989 A1 8/2014 Wang et al.
 2014/0240964 A1 8/2014 Adachi et al.
 2014/0246432 A1 9/2014 Yang et al.
 2014/0246434 A1 9/2014 Yang et al.
 2014/0305946 A1 10/2014 Han
 2014/0345453 A1 11/2014 Oh et al.
 2015/0251849 A1 9/2015 Yang et al.
 2015/0259139 A1 9/2015 Yang et al.
 2015/0259140 A1 9/2015 Yang et al.
 2015/0321841 A1 11/2015 Salas et al.
 2016/0137411 A1 5/2016 Rogers
 2016/0200508 A1 7/2016 Thoma et al.
 2017/0050404 A1 2/2017 Henken et al.
 2017/0073158 A1 3/2017 Yang et al.
 2017/0096299 A1 4/2017 Yang et al.
 2017/0127669 A1 5/2017 Yang et al.
 2017/0166167 A1 6/2017 Heller et al.
 2017/0176986 A1 6/2017 High et al.
 2017/0253429 A1 9/2017 Yang et al.
 2018/0093827 A1 4/2018 Yang et al.
 2018/0178978 A1 6/2018 Yang et al.
 2018/0305120 A1 10/2018 Yang et al.
 2019/0077595 A1 3/2019 Wang et al.
 2019/0185263 A1 6/2019 Yang et al.
 2019/0276232 A1 9/2019 Yang et al.
 2020/0148467 A1 5/2020 Yang et al.
 2020/0307907 A1 10/2020 Yang et al.
 2020/0407159 A1 12/2020 Yang et al.
 2021/0378921 A1* 12/2021 Velazquez Mosqueda

A61L 9/04

FOREIGN PATENT DOCUMENTS

AU 201614908 11/2016
 AU 201614909 11/2016
 CA 2182840 9/1997
 CA 2519295 3/2007
 CA 132181 6/2010
 CA 2695086 9/2010
 CA 136938 5/2011
 CA 141819 4/2012
 CA 146601 2/2013
 CA 152797 4/2014
 CA 158595 4/2015

CA 158685 4/2015
 CA 164264 10/2016
 CA 164265 10/2016
 CA 167073 10/2016
 CA 170360 3/2017
 CA 170399 3/2017
 CA 168936 10/2017
 CA 174731 7/2018
 CA 178712 11/2018
 CA 2808811 9/2020
 CN 2075182 4/1991
 CN 2378327 5/2000
 CN 2467467 12/2001
 CN 1570196 1/2005
 CN 1918002 2/2007
 CN 200964993 10/2007
 CN 101177946 5/2008
 CN 201105898 8/2008
 CN 101509131 8/2009
 CN 201330049 10/2009
 CN 201367221 Y 12/2009
 CN 201372076 12/2009
 CN 201447201 5/2010
 CN 201512253 U 6/2010
 CN 301252792 S 6/2010
 CN 201597962 U 10/2010
 CN 201907743 7/2011
 CN 102190144 9/2011
 CN 202213911 5/2012
 CN 301947175 6/2012
 CN 103072348 5/2013
 CN 103207416 7/2013
 CN 103300590 9/2013
 CN 103303618 9/2013
 CN 103381944 A 11/2013
 CN 302771721 3/2014
 CN 104016030 9/2014
 CN 303188855 4/2015
 CN 303206241 5/2015
 CN 204587817 8/2015
 CN 105015986 11/2015
 CN 303611394 3/2016
 CN 303622098 3/2016
 CN 205169479 4/2016
 CN 106103299 11/2016
 CN 303967208 12/2016
 CN 304018339 1/2017
 CN 304018340 1/2017
 CN 103381944 B 3/2017
 CN 106546203 A 3/2017
 CN 107032015 A 8/2017
 CN ZL 201310076306.0 12/2017
 CN ZL 201580000648.1 1/2018
 CN ZL 201730168630.4 2/2018
 CN 304710097 S 7/2018
 CN 304938760 S 12/2018
 CN ZL 201410074431.2 3/2019
 CN ZL 201580014369.0 8/2019
 DE 1610087 7/1950
 DE 822376 11/1951
 DE 1283741 7/1966
 DE 8436939 3/1985
 DE 9108341 10/1991
 DE 4225936 2/1994
 DE 19525885 3/1997
 DE 19617823 11/1997
 DE 19809331 5/1999
 DE 19811991 A1 9/1999
 DE 29918687 3/2000
 DE 19933180 1/2001
 DE 10036259 A1 11/2001
 DE 10148997 4/2003
 DE 20305521 U1 6/2003
 DE 20217561 3/2004
 DE 10337806 A1 3/2005
 EP 0582240 7/1993
 EP 0903305 A1 3/1999
 EP 0906876 A2 4/1999
 EP 1094017 A1 4/2001

(56)

References Cited

FOREIGN PATENT DOCUMENTS		
EP	1162161	12/2001
EP	1361176	11/2003
EP	1136393 B1	4/2004
EP	1447342 A2	8/2004
EP	1600373 A2	11/2005
EP	1647503 A1	4/2006
EP	1686073 A1	8/2006
EP	1918223 A1	5/2008
EP	1700799 B1	8/2009
EP	001164826-0001	9/2009
EP	001232904-0001	10/2010
EP	2343250 A1	7/2011
EP	001908575-0001	8/2011
EP	001317416-0001	4/2012
EP	001317416-0002	4/2012
EP	001335285-0001	7/2012
EP	001335293-0001	7/2012
EP	001381636-0001	8/2013
EP	001381792-0001	8/2013
EP	2636611 A1	9/2013
EP	3144251 A1	3/2014
EP	001420590-0001	9/2014
EP	2772454 A2	9/2014
EP	2636613 B1	3/2015
EP	2915763 A1	9/2015
EP	2918518 A2	9/2015
EP	002766782-0001	11/2015
EP	002766782-0002	11/2015
EP	002766881-0001	11/2015
EP	2364932 B1	4/2016
EP	3042864 A1	7/2016
EP	003177500-0001	9/2016
EP	003177500-0002	9/2016
EP	003362235-0001	10/2016
EP	003362052-0001	11/2016
EP	003996339-0001	5/2017
EP	3214019 A1	9/2017
EP	004554889-0001	12/2017
EP	3549886 A2	10/2019
FR	2887152	12/2006
GB	191004921	6/1910
GB	1555543 A	11/1979
GB	2384418	7/2003
JP	02-152670	6/1990
JP	H06-56011	8/1994
JP	06-272888	9/1994
JP	2004-106713	4/2004
JP	2004-231237	8/2004
JP	D1300450	5/2007
JP	D1300451	5/2007
JP	2007-154831	6/2007
JP	D1322056	2/2008
JP	D1398668	10/2010
JP	2013-231413 A	11/2013
JP	2014-523329 A	9/2014
JP	D1550907	4/2016
JP	D1551184	4/2016
JP	1585339	8/2017
JP	1614455	8/2018
KR	20040087306 A	10/2004
KR	3003841370000	6/2005
KR	3004095430000	3/2006
KR	3004095430001	7/2006
NL	6908550	12/1970
TW	183920	5/1992
TW	230977	9/1994
TW	395392	6/2000
TW	D112733	9/2006
TW	D129485	7/2009
TW	D133382	2/2010
TW	D133678	3/2010
TW	145989	3/2012
TW	D147147	5/2012
TW	D154797	7/2013
TW	D158187	1/2014

TW	D161587	7/2014
TW	D162495	8/2014
TW	D168957	7/2015
TW	D170334	9/2015
TW	201538406	10/2015
TW	201544405	12/2015
TW	D176312	6/2016
TW	D176313	6/2016
TW	201720729	6/2017
TW	D183552	6/2017
TW	D184449	7/2017
TW	D193369	10/2018
TW	D194575	12/2018
TW	D194576	12/2018
TW	1670213	9/2019
WO	WO 92/02430 A1	2/1992
WO	WO 96/33671	10/1996
WO	WO 2005/080232 A1	9/2005
WO	WO 2006/079263 A1	8/2006
WO	WO 2007/139570	12/2007
WO	WO 2009/114495 A1	9/2009
WO	WO 2015/134902 A1	9/2015
WO	WO 2015/138625 A1	9/2015
WO	WO 2016/054109 A1	4/2016

OTHER PUBLICATIONS

U.S. Appl. No. 13/040,786, filed Mar. 4, 2011, Yang et al.
U.S. Appl. No. 13/040,709, filed Mar. 4, 2011, Yang et al.
U.S. Appl. No. 13/047,662, filed Mar. 14, 2011, Yang et al.
U.S. Appl. No. 29/386,880, filed Mar. 4, 2011, Yang et al.
U.S. Appl. No. 13/787,084, filed Mar. 6, 2013, Yang et al.
U.S. Appl. No. 29/411,482, filed Mar. 9, 2012, Yang et al.
U.S. Appl. No. 29/411,491, filed Jan. 20, 2012, Yang et al.
U.S. Appl. No. 29/411,490, filed Jan. 20, 2012, Yang et al.
U.S. Appl. No. 13/417,084, filed Mar. 9, 2012, Yang et al.
U.S. Appl. No. 13/783,149, filed Mar. 1, 2013, Yang et al.
U.S. Appl. No. 29/447,313, filed Mar. 1, 2013, Yang et al.
U.S. Appl. No. 29/484,903, filed Mar. 13, 2014, Yang et al.
U.S. Appl. No. 29/484,764, filed Mar. 1, 2013, Yang et al.
U.S. Appl. No. 14/198,460, filed Mar. 5, 2014, Yang et al.
U.S. Appl. No. 14/637,270, filed Mar. 4, 2015, Yang et al.
U.S. Appl. No. 14/639,049, filed Mar. 4, 2015, Yang et al.
U.S. Appl. No. 14/639,862, filed Mar. 5, 2015, Yang et al.
U.S. Appl. No. 29/519,549, filed Mar. 5, 2015, Yang et al.
U.S. Appl. No. 29/519,551, filed Mar. 5, 2015, Yang et al.
U.S. Appl. No. 14/856,309, filed Sep. 26, 2015, Yang et al.
U.S. Appl. No. 29/548,018, filed Dec. 9, 2015, Yang et al.
U.S. Appl. No. 29/557,032, filed Mar. 4, 2016, Yang et al.
U.S. Appl. No. 29/557,088, filed Mar. 4, 2016, Yang et al.
U.S. Appl. No. 29/563,650, filed May 6, 2016, Yang et al.
U.S. Appl. No. 15/265,455, filed Sep. 14, 2016, Yang et al.
U.S. Appl. No. 29/584,385, filed Nov. 14, 2016, Yang et al.
U.S. Appl. No. 15/448,245, filed Mar. 2, 2017, Yang et al.
U.S. Appl. No. 15/476,285, filed Mar. 31, 2017, Yang et al.
U.S. Appl. No. 29/583,627, filed Jun. 22, 2017, Yang et al.
U.S. Appl. No. 29/608,587, filed Jun. 22, 2017, Yang et al.
U.S. Appl. No. 29/610,345, filed Jul. 11, 2017, Yang et al.
U.S. Appl. No. 15/783,370, filed Oct. 13, 2017, Yang et al.
U.S. Appl. No. 15/809,218, filed Nov. 10, 2017, Yang et al.
U.S. Appl. No. 29/633,369, filed Jan. 12, 2018, Yang et al.
U.S. Appl. No. 29/633,372, filed Jan. 12, 2018, Yang et al.
U.S. Appl. No. 16/284,996, filed Feb. 25, 2019, Yang et al.
U.S. Appl. No. 16/293,463, filed Mar. 5, 2019, Yang et al.
U.S. Appl. No. 29/747,968, filed Aug. 26, 2020, Yang et al.
U.S. Appl. No. 29/747,945, filed Aug. 26, 2020, Yang et al.
Complaint for Patent Infringement, Filed in Case No. CV 09-1373-DSF-AJW, *Simplehuman, LLC V. Cuisinart Corporation, Lifetime Brands, Inc., and M. Kamenstein, Inc.* dated Feb. 26, 2009.
U.S. Appl. No. 60/595,868 (Ramsey).
U.S. Appl. No. 60/595,920 (Ramsey).
Entire File History of U.S. Pat. No. 7,243,811, including Rule 131 Declaration signed Feb. 12, 2007.

(56)

References Cited

OTHER PUBLICATIONS

Exhibits A, B1, B2, C1, C2 cited in Dec. 12, 2006 IDS in U.S. Pat. No. 7,243,811.

First Amended Complaint for Patent Infringement, Filed in Case No. CV 09-1373-DSF-AJW, *Simplehuman, LLC V. Conair Corporation and Lifetime Brands, Inc.*, dated Mar. 17, 2009.

Trento Corner 23 Trash Can, Hailo product webpage, May 2008, http://www.hailo.de/html/default.asp?site=12_71_107&lang=en.

alzashop.com, Simplehuman 45L Pedal Rectangular White Plastic Stainless Steel Trash Can, <https://www.alzashop.com/simplehuman-45l-pedal-rectangular-white-plastic-stainless-steel-d5841987.htm>, site visited Jul. 20, 2021, in 3 pages.

Schaefer, http://www.schaeferco.com/about_rollcoaters.html, 2007, in 12 pages.

Simplehuman Liner Rim Dual Bucket Rectangular Recycler with Liner Pocket, Stainless Steel, 58 Liter/ 15 Gallon, Item No. CW2025, www.amazon.com, site visited Dec. 29, 2015.

Web page showing picture of Hero Bullet trash can, archived Nov. 17, 2004, downloaded from http://web.archive.org/web/200411170031117003115/http://www.simplehuman.com/images/hero_bullet.jpg.

Agion Material Safety Data Sheet; Agion Antimicrobial Type AC; publicly available at least as early as Oct. 2015 (in three pages).

U.S. District Court Civil Docket for *Simplehuman, LLC, V. Conair Corporation and Lifetime Brands, Inc.*, Filed in Case No. CV 09-1373-DSF-AJW.

European Search Report for European Application No. 06010394, dated Aug. 24, 2006, in 1 page.

International Search Report and Written Opinion in corresponding International Application No. PCT/US2006/34282, dated Jun. 13, 2008, 14 pages.

Office Action for Canadian Patent Application No. 2695086, dated Jan. 29, 2016, in 3 pages.

European Search Report for Application No. EP 10002273, dated Jan. 4, 2011, in 9 pages.

Partial European Search Report for Application No. EP 10002273, dated Jul. 2, 2010, in 4 pages.

Search Report for Taiwan Design Patent Application No. 097304453, dated Apr. 22, 2009.

Office Action for Canadian Design Patent Application No. 132181, dated Dec. 23, 2009, in 2 pages.

Office Action for Canadian Patent Application No. 2733460, dated Jun. 19, 2017, in 4 pages.

Office Action for Chinese Patent Application No. 201110060533.5, dated Jan. 23, 2014, in 13 pages.

Office Action for Chinese Patent Application No. 201110060533.5, dated Sep. 9, 2014, in 8 pages.

Office Action for Chinese Patent Application No. 201110060533.5, dated Mar. 9, 2015, in 7 pages.

Extended Search Report for European Patent Application No. 11157823.3, dated Mar. 28, 2013, in 5 pages.

Examination Report for European Patent Application No. 11157823.3, dated Oct. 28, 2014, in 5 pages.

Office Action for Canadian Design Patent Application No. 136938, dated Sep. 29, 2010, in 2 pages.

Office Action for Chinese Design Patent Application No. 201030509403.1, dated Apr. 6, 2011, in 2 pages.

Search Report for Taiwan Design Patent Application No. 099304439, dated Jul. 1, 2011, in 1 page.

Office Action for Taiwan Design Patent Application No. 099304439, dated Jul. 21, 2011, in 6 pages.

Office Action for Canadian Design Patent Application No. 141819, dated Oct. 13, 2011, in 2 pages.

Office Action for Chinese Design Patent Application No. 201130284559.9, dated Nov. 10, 2011, in 2 pages.

Office Action for Chinese Application No. 201310076306.0, dated Dec. 23, 2015, in 14 pages.

Office Action for Chinese Application No. 201310076306.0, dated Aug. 30, 2016, in 17 pages.

Office Action for Chinese Application No. 201310076306.0, dated Jan. 25, 2017, in 18 pages.

Extended European Search Report for European Application No. 13158229.8, dated Jul. 2, 2013, in 8 pages.

Office Action for European Application No. 13158229.8, dated Jul. 12, 2018, in 5 pages.

Office Action for European Application No. 13158229.8, dated Jun. 27, 2019, in 5 pages.

Search Report for Taiwanese Design Application No. 102302061, dated Jun. 20, 2013, in 1 page.

Office Action for Chinese Application No. 201310076770.X, dated Dec. 30, 2015, in 3 pages.

Extended European Search Report for European Application No. 13158479.9, dated Jun. 20, 2013, in 8 pages.

Office Action for Canadian Design Patent Application No. 146602, dated Nov. 27, 2012, in 1 page.

Office Action in corresponding Canadian Application No. 2842987, dated Dec. 11, 2019, in 8 pages.

Office Action in corresponding Canadian Application No. 2842987, dated May 29, 2020, in 3 pages.

Office Action for Chinese Application No. 201410074431.2, dated Feb. 28, 2017, in 18 pages.

Office Action for Chinese Application No. 201410074431.2, dated Nov. 3, 2017, in 21 pages.

Partial European Search Report for European Application No. 14156599.4, dated Jun. 3, 2014, in 5 pages.

Extended European Search Report for European Application No. 14156599.4, dated Oct. 24, 2014, in 10 pages.

Office Action in corresponding European Application No. 14156599.4, dated Aug. 3, 2018, in 7 pages.

Office Action in corresponding European Application No. 14156599.4, dated Aug. 9, 2019, in 6 pages.

International Search Report and Written Opinion in corresponding International Application No. PCT/US2015/053037, dated Feb. 5, 2016, in 12 pages.

International Preliminary Report on Patentability in corresponding International Application No. PCT/US2015/053037, dated Apr. 13, 2017, in 9 pages.

Search Report for Taiwanese Design Application No. 103305382, dated May 12, 2015, in 4 pages.

International Search Report and Written Opinion in corresponding International Application No. PCT/US2015/19997, dated Jul. 28, 2015, 12 pages.

International Preliminary Report on Patentability in corresponding International Application No. PCT/US2015/19997, dated Sep. 22, 2016, 9 pages.

Office Action in corresponding Canadian Application No. 2941643, dated Apr. 22, 2021, 5 pages.

Partial Supplementary European Search Report in corresponding European Application No. 15761922.2, dated Sep. 26, 2017, 14 pages.

Extended Search Report in corresponding European Application No. 15761922.2, dated Jan. 31, 2018, 15 pages.

Office Action in corresponding European Application No. 15761922.2, dated Apr. 12, 2021, in 7 pages.

Office Action for Canadian Patent Application No. 2,883,594, dated Apr. 7, 2021, in 5 pages.

Office Action for Chinese Patent Application No. 20158000648.1, dated Jun. 2, 2016, in 10 pages.

Office Action for Chinese Patent Application No. 20158000648.1, dated Feb. 13, 2017, in 10 pages.

Extended European Search Report for European Patent Application No. 15157795.4, dated Jul. 24, 2015, in 8 pages.

Office Action in corresponding European Patent Application No. 15157795.4, dated Aug. 9, 2018, in 6 pages.

Office Action in corresponding European Patent Application No. 15157795.4, dated Jan. 18, 2019, in 5 pages.

Office Action in corresponding Taiwanese Patent Application No. 104106689, dated Sep. 12, 2018, in 5 pages.

Office Action in corresponding Taiwanese Patent Application No. 104106689, dated Nov. 29, 2019, in 9 pages.

Office Action in corresponding Taiwanese Patent Application No. 104106689, dated Jun. 17, 2020, in 9 pages.

(56)

References Cited

OTHER PUBLICATIONS

International Search Report and Written Opinion for International Patent Application No. PCT/US2015/019240, dated Jun. 18, 2015, in 7 pages.

International Preliminary Report on Patentability in corresponding International Patent Application No. PCT/US2015/019240, dated Sep. 22, 2016, in 6 pages.

Office Action in corresponding Canadian Patent Application No. 2883994, dated Apr. 21, 2021, in 4 pages.

Partial Search Report for European Application No. 15157649.3, dated Oct. 23, 2015, in 6 pages.

Extended European Search Report for European Application No. 15157649.3, dated Feb. 11, 2016, in 13 pages.

Office Action in corresponding European Application No. 15157649.3, dated Nov. 13, 2018, in 7 pages.

Office Action in corresponding European Application No. 15157649.3, dated Oct. 7, 2019, in 3 pages.

Office Action for Taiwanese Application No. 104106875, dated Sep. 17, 2018, in 20 pages.

Search Report for Taiwanese Application No. 103305380, date of research May 12, 2015, in 4 pages.

Office Action for Australian Application No. 201514705, dated Sep. 23, 2015, in 2 pages.

Office Action for Canadian Application No. 164265, dated Dec. 15, 2015, in 2 pages.

Search Report for Taiwanese Application No. 104304908, dated Feb. 15, 2016, in 2 pages.

Search Report for Taiwanese Application No. 104304907, dated Feb. 15, 2016, in 2 pages.

Office Action for Canadian Application No. 164264, dated Dec. 15, 2015, in 1 pages.

Office Action for Canadian Application No. 164264, dated Apr. 6, 2016, in 11 pages.

Office Action for European Application No. 002766881-0001, dated Sep. 14, 2015, in 2 pages.

Office Action in corresponding Chinese Patent Application No. 201610830334.0, dated Nov. 5, 2019, in 16 pages.

Extended Search Report for European Patent Application No. 16188727.8, dated Jan. 30, 2017, in 8 pages.

Office Action for Canadian Design Patent Application No. 168936, dated May 26, 2017, in 2 pages.

Office Action for Taiwan Design Patent Application No. 105303316, dated Nov. 16, 2016, in 6 pages.

Office Action in corresponding Chinese Patent Application No. 201710123436.3, dated Feb. 1, 2021, in 19 pages.

Extended European Search Report for European Patent Application No. 17159265.2, dated Jun. 26, 2017, in 10 pages.

Office Action in corresponding European Patent Application No. 17159265.2, dated Nov. 16, 2018, in 6 pages.

Office Action in corresponding European Patent Application No. 17159265.2, dated Jul. 1, 2019, in 6 pages.

Office Action in corresponding Taiwanese Patent Application No. 106106934, dated Dec. 28, 2020, in 11 pages.

Search Report in corresponding Taiwanese Patent Application No. 106106934, dated Dec. 24, 2020, in 1 page.

Office Action for Canadian Design Patent Application No. 174731 dated Nov. 8, 2017, in 2 pages.

Office Action for Taiwanese Design Patent Application No. 106302554 dated Dec. 28, 2017, in 7 pages.

Extended European Search Report in corresponding European Patent Application No. 19160903.1, dated Jan. 10, 2020, in 10 pages.

* cited by examiner

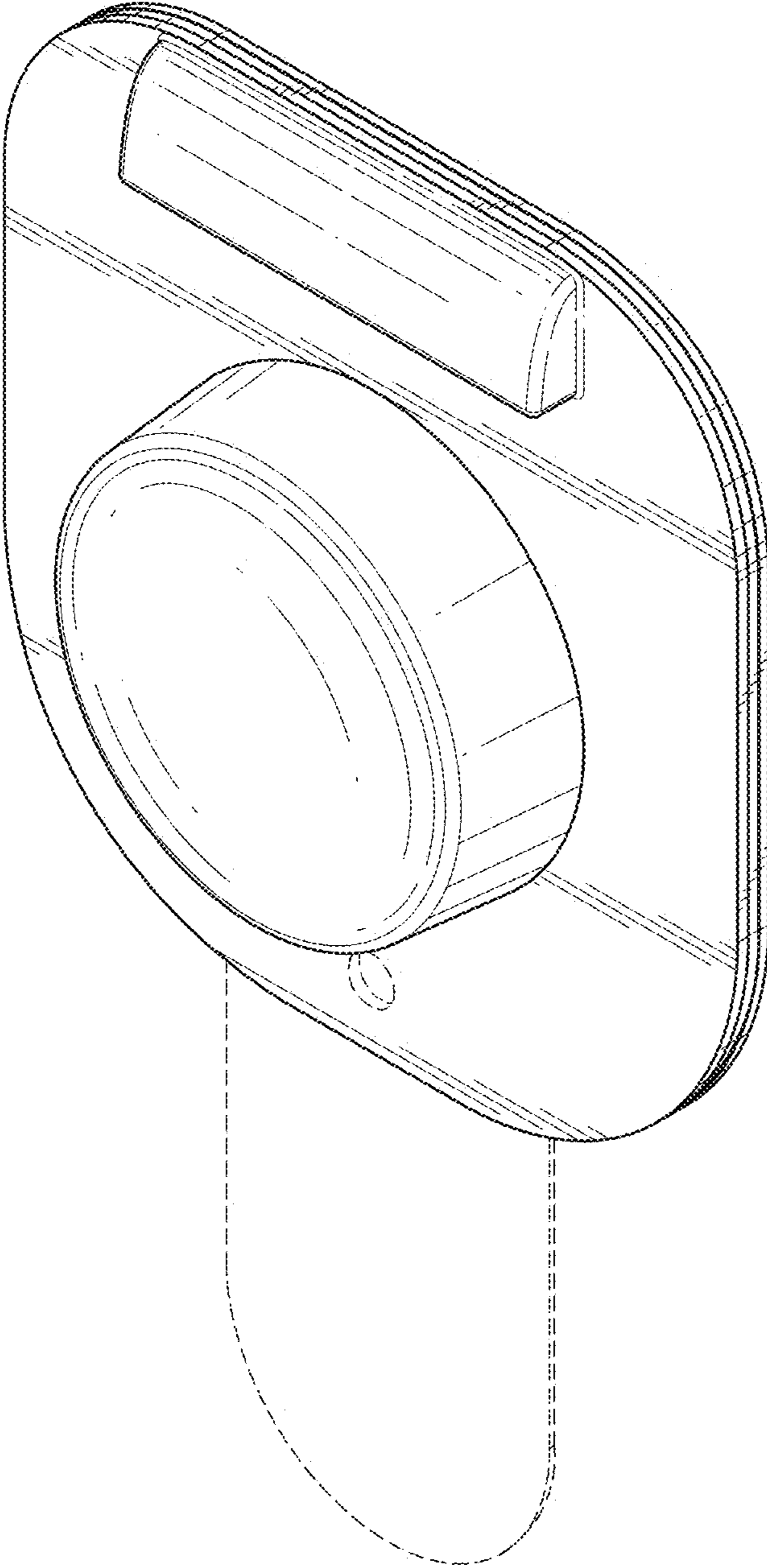


FIG. 1

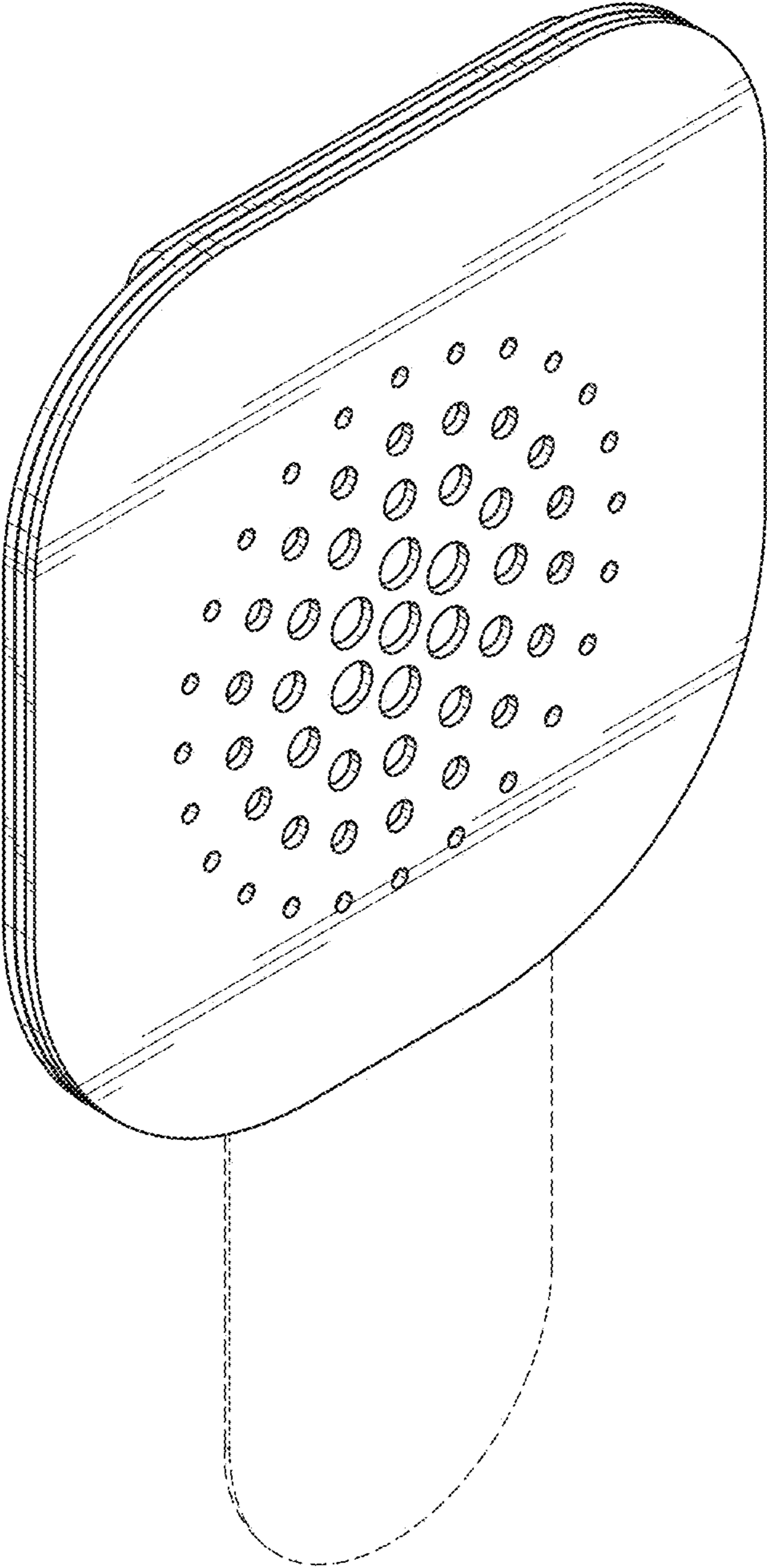


FIG. 2

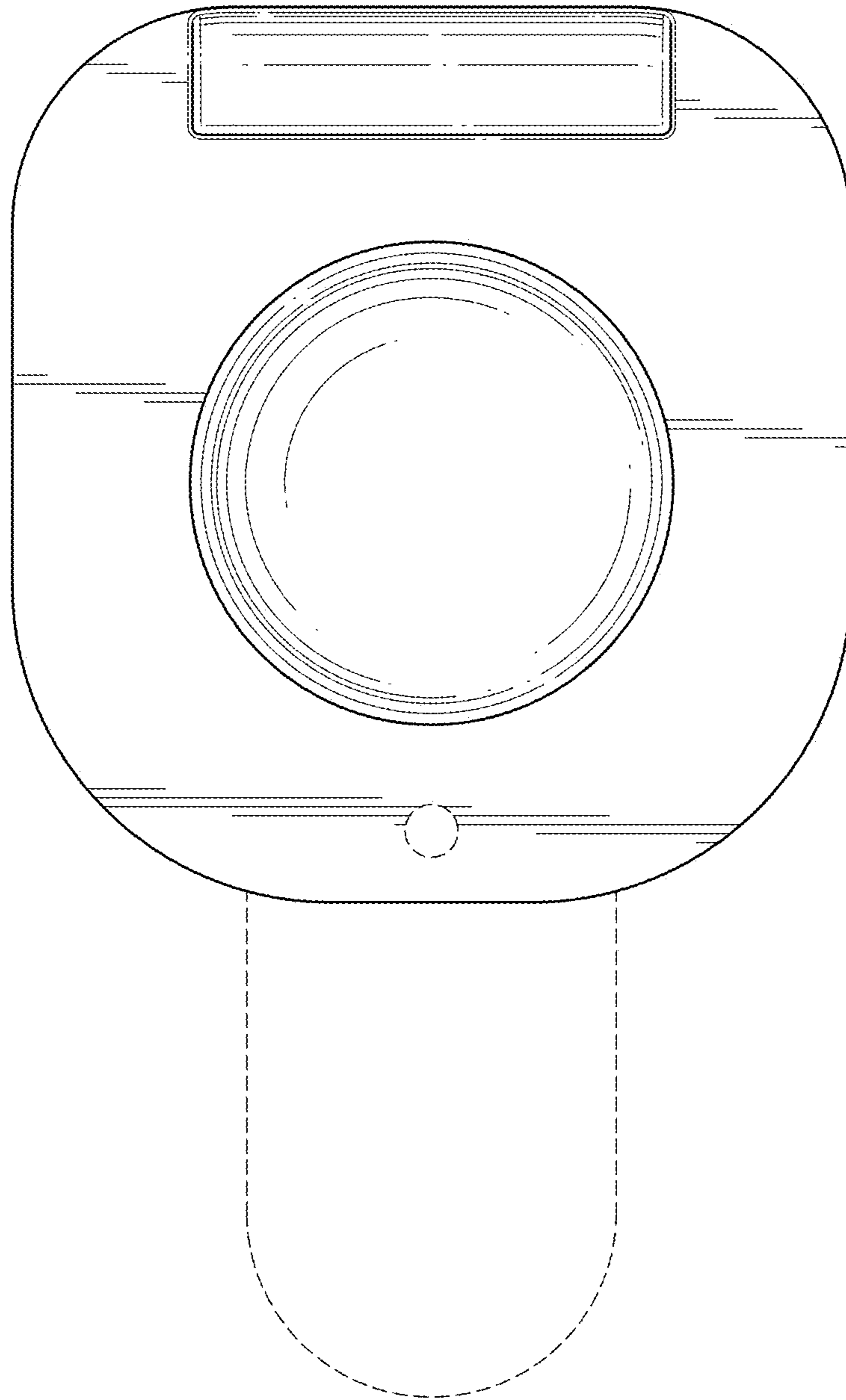


FIG. 3

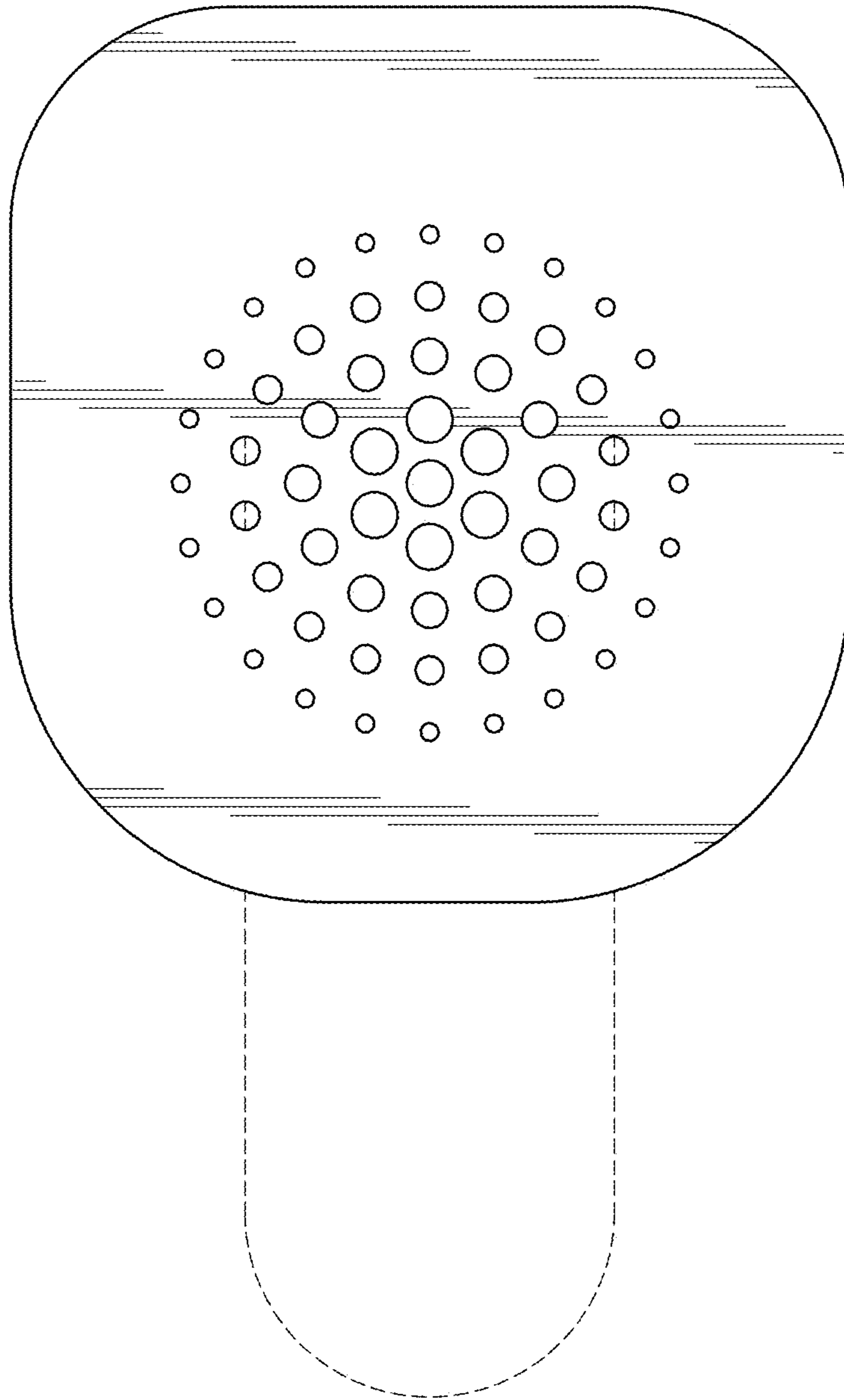


FIG. 4

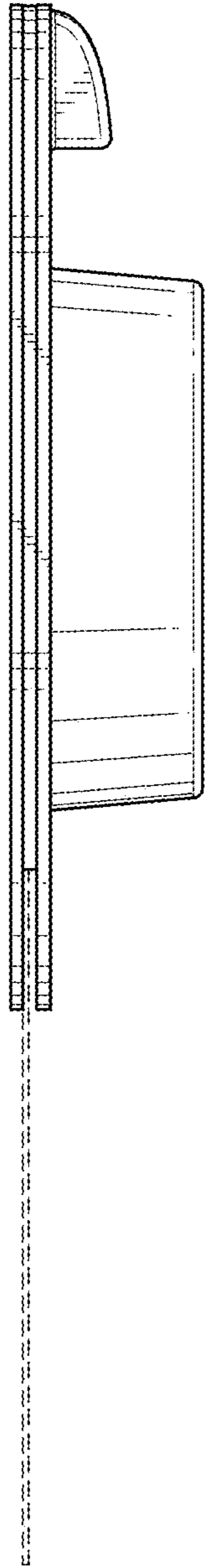


FIG. 5

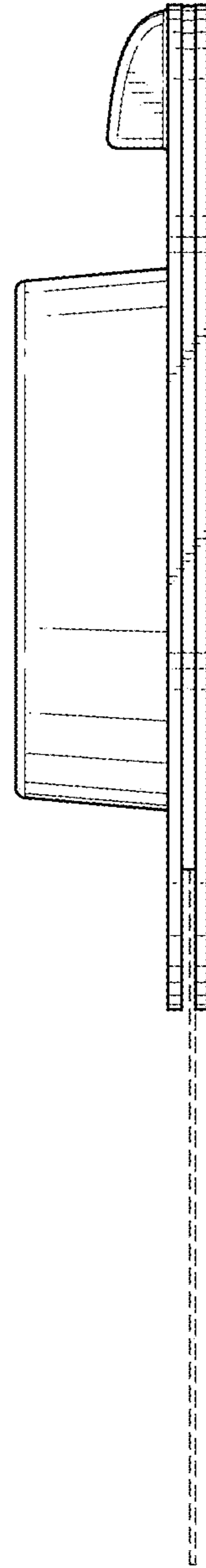


FIG. 6

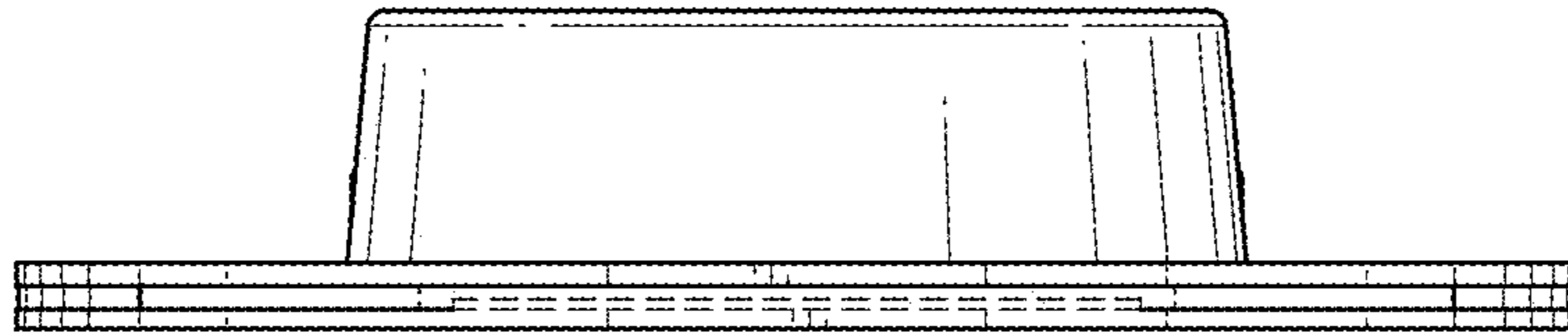


FIG. 7



FIG. 8