



US00D969288S

(12) **United States Design Patent**  
**Morii**

(10) **Patent No.:** **US D969,288 S**  
(45) **Date of Patent:** **\*\* Nov. 8, 2022**

(54) **AIR PURIFIER**

(71) Applicant: **FOREST WELL CO., LTD.**,  
Yokohama (JP)

(72) Inventor: **Ryuhei Morii**, Yokohama (JP)

(\*\*) Term: **15 Years**

(21) Appl. No.: **35/512,286**

(22) Filed: **Jan. 25, 2021**

(80) **Hague Agreement Data**

Int. Filing Date: **Jan. 25, 2021**

Int. Reg. No.: **DM/212541**

Int. Reg. Date: **Jan. 25, 2021**

Int. Reg. Pub. Date: **Jul. 30, 2021**

(51) **LOC (13) Cl.** ..... **23-04**

(52) **U.S. Cl.**  
USPC ..... **D23/364**

(58) **Field of Classification Search**  
USPC ..... D23/233, 238, 239, 241–243, 245,  
D23/248–255, 257

CPC ..... A61L 9/00; A61L 9/02; A61L 9/03; A61L  
9/034; A61L 9/04; A61L 9/12; A61L  
9/032; A61L 9/122; A61L 9/127; A61L  
9/22; B01D 46/00; B01D 46/0002; B01D  
46/20; F24F 13/20; A62B 21/00; F21S  
8/04; F21S 8/06; F21S 8/026; F21S  
8/028; F21S 8/061; F21S 8/063

See application file for complete search history.

(56) **References Cited**

**U.S. PATENT DOCUMENTS**

1,424,250 A \* 8/1922 Kelly ..... E03C 1/0409  
4/678  
D258,759 S \* 3/1981 Johnson ..... F24F 13/28  
D23/366

D280,013 S \* 8/1985 Madl ..... D23/364  
D280,128 S \* 8/1985 Doyle ..... D23/364  
D280,129 S \* 8/1985 Doyle ..... D23/364  
D320,441 S \* 10/1991 Muller ..... D23/364  
D417,911 S \* 12/1999 Jane' ..... D23/364  
D433,493 S \* 11/2000 Runyan ..... D23/364  
D500,848 S \* 1/2005 Holderfield ..... D23/364  
D575,382 S \* 8/2008 Hammes ..... D23/364  
D827,115 S \* 8/2018 Petersen ..... D23/333  
D878,532 S \* 3/2020 Shin ..... D23/364  
D928,299 S \* 8/2021 Chen ..... D23/364  
D944,958 S \* 3/2022 Yan ..... E03C 1/0409  
D23/364  
D953,507 S \* 5/2022 Yan ..... D23/364  
2021/0341160 A1 \* 11/2021 Lee ..... F24F 13/28

**FOREIGN PATENT DOCUMENTS**

JP 2019155345 A \* 9/2019 ..... B03C 3/02

\* cited by examiner

*Primary Examiner* — Keli L Hill

(57) **CLAIM**

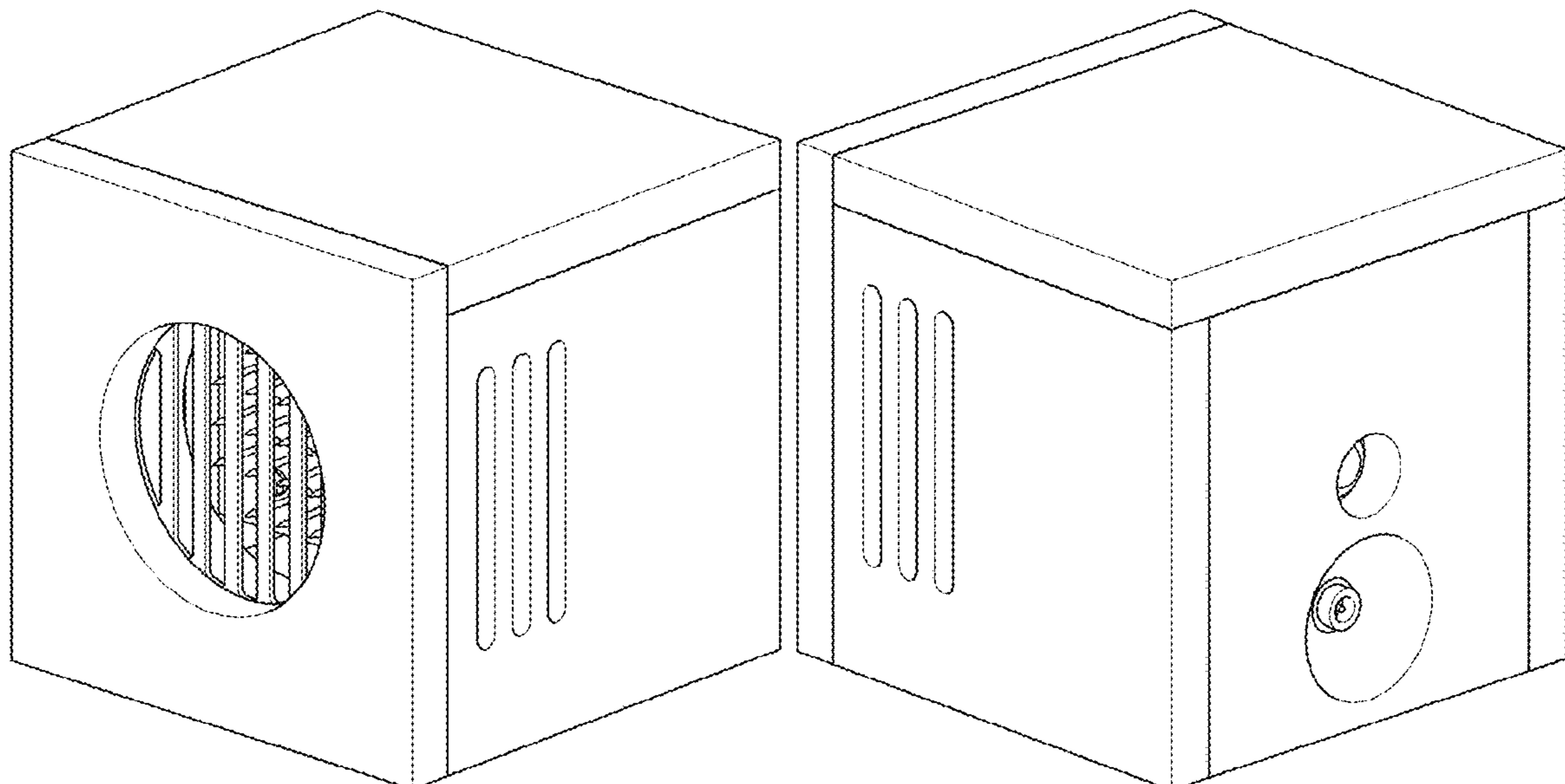
The ornamental design for an air purifier, as shown and described.

**DESCRIPTION**

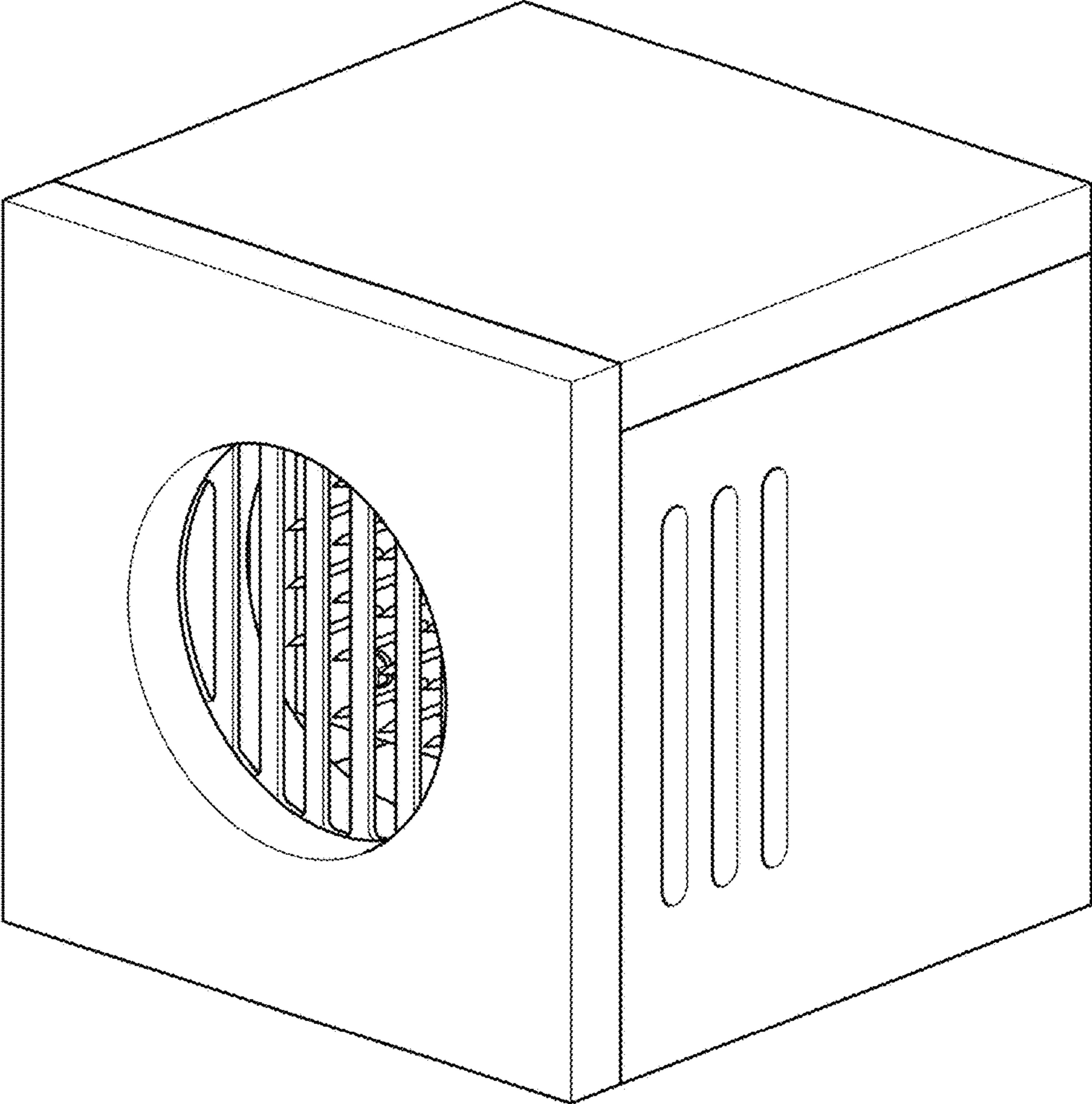
- 1. Air purifier
- 1.1 : Perspective
- 1.2 : Perspective
- 1.3 : Front
- 1.4 : Back
- 1.5 : Right
- 1.6 : Left
- 1.7 : Top
- 1.8 : Bottom

Application for overall protection for industrial design(s) as shown and described.

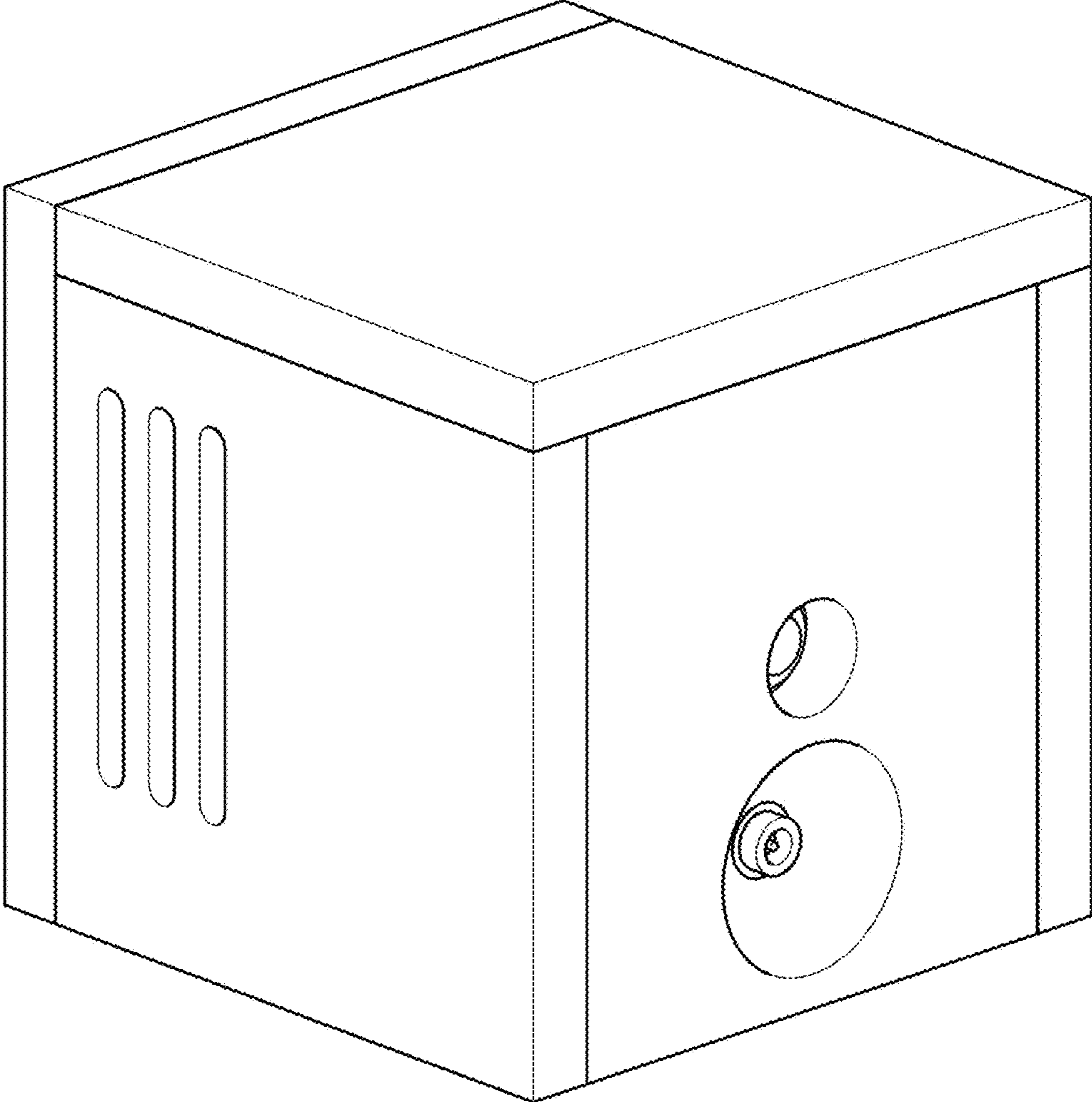
**1 Claim, 8 Drawing Sheets**



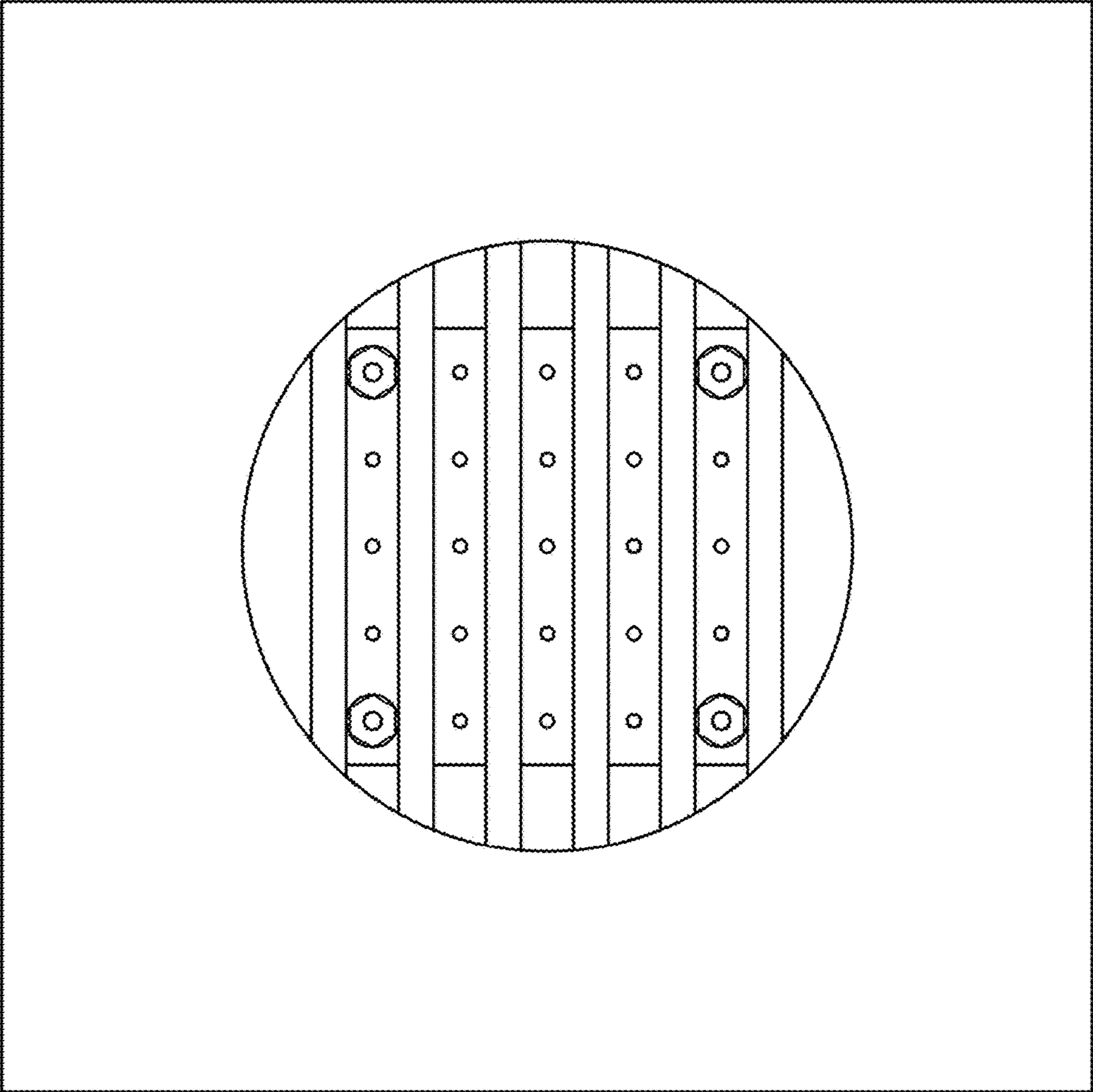
1.1



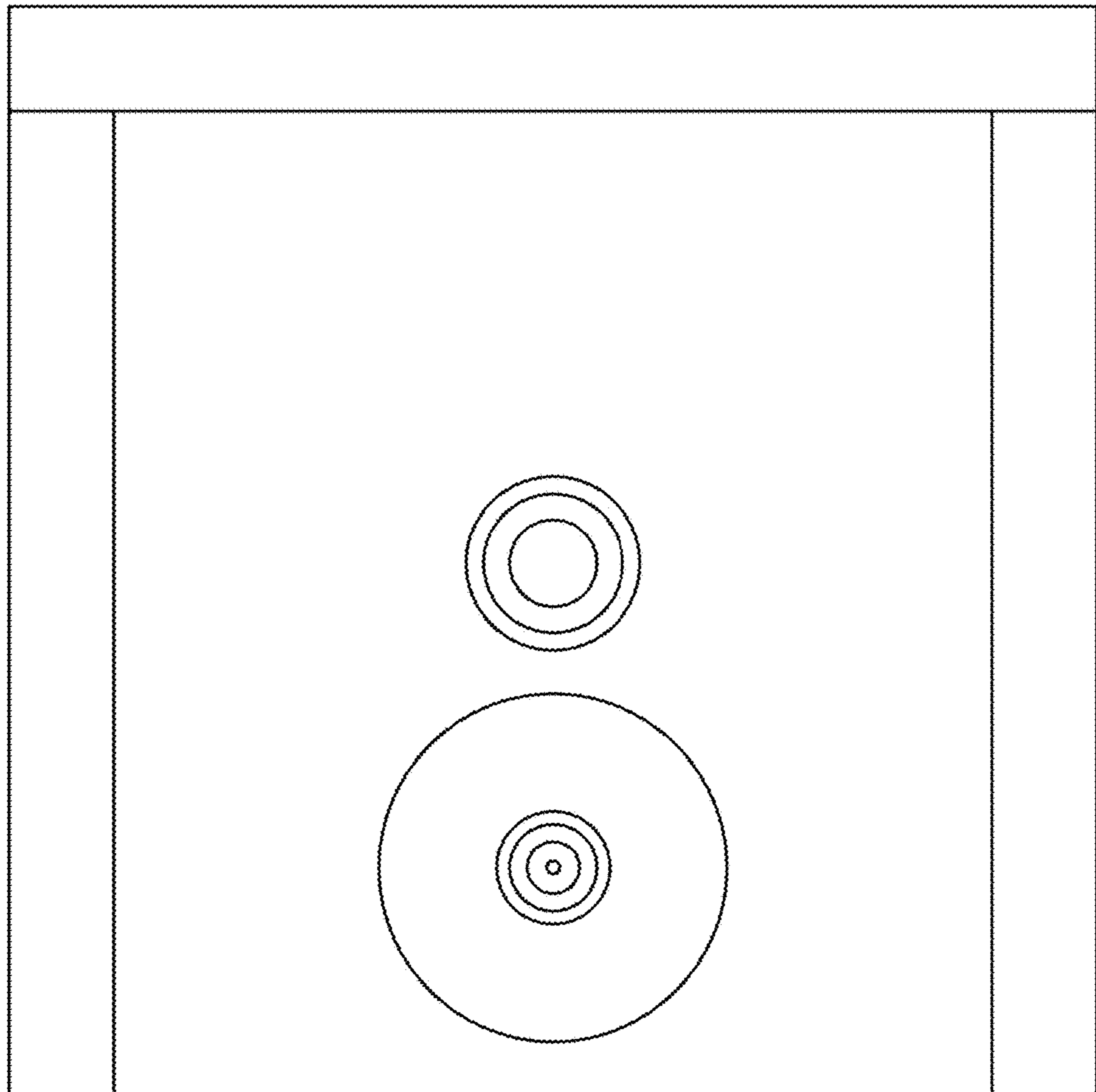
1.2



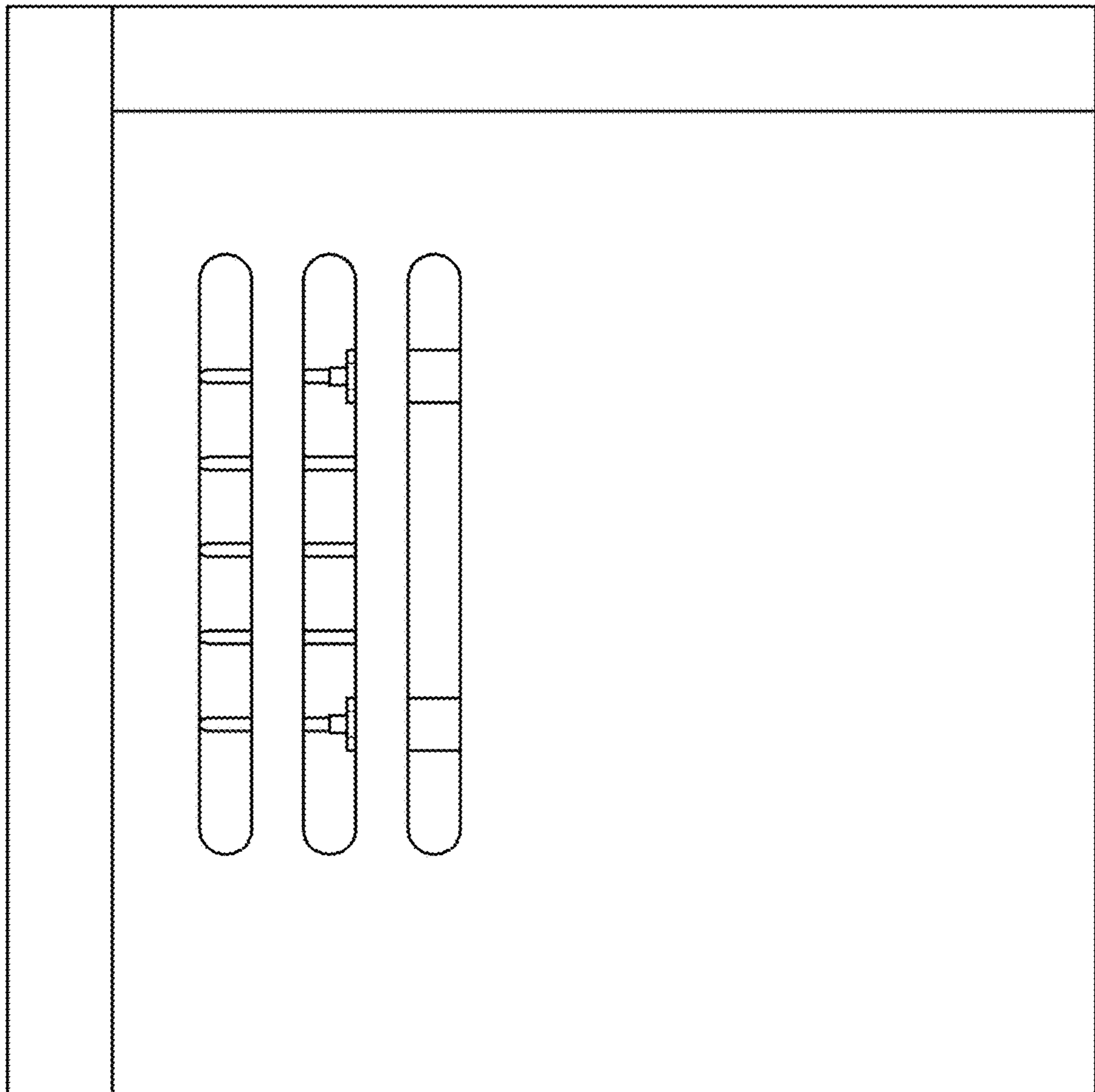
1.3



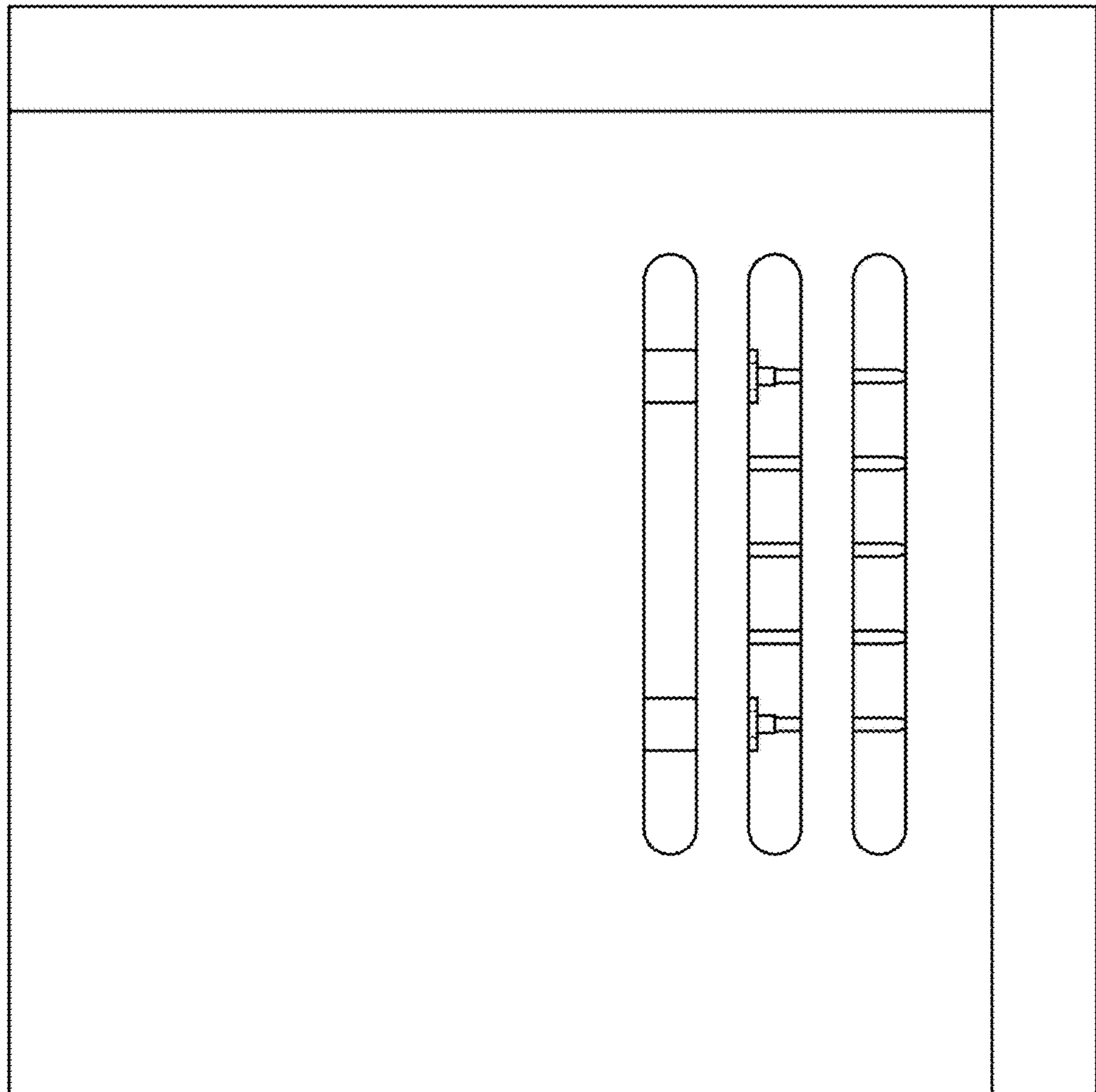
1.4



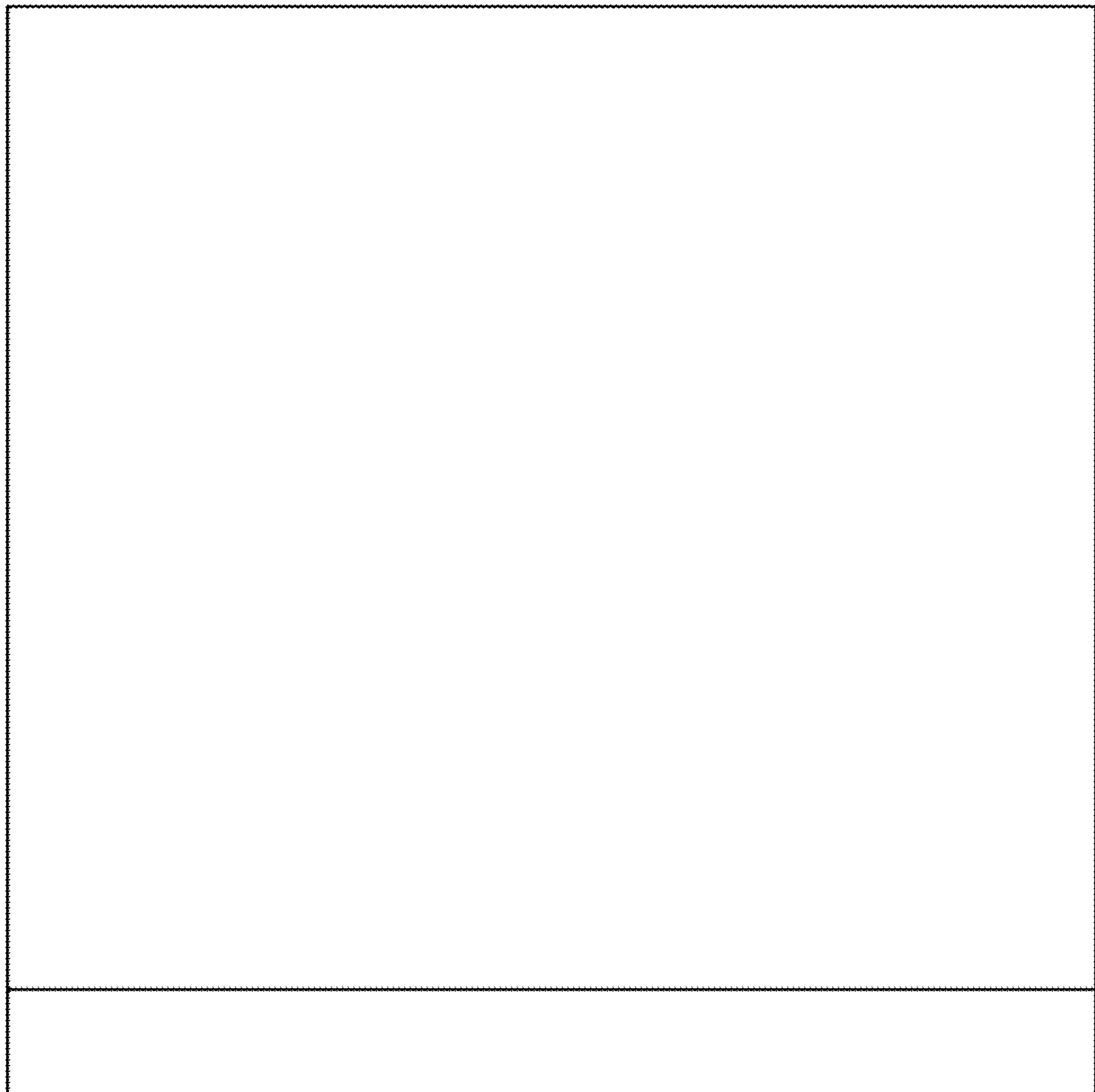
1.5



1.6



1.7





1.8

