

US00D969285S

(12) **United States Design Patent**  
**Zhang et al.**

(10) **Patent No.:** **US D969,285 S**  
(45) **Date of Patent:** **\*\* Nov. 8, 2022**

(54) **OUTDOOR UNIT OF AIR CONDITIONER**

(71) Applicants: **Qingdao Haier Air-conditioning Electronic Co., Ltd**, Shandong (CN); **Haier Smart Home Co., Ltd.**, Shandong (CN)

(72) Inventors: **Wei Zhang**, Qingdao (CN); **Yanfang Cai**, Qingdao (CN)

(73) Assignees: **Qingdao Haier Air-conditioning Electronic Co., Ltd**, Qingdao (CN); **Haier Smart Home Co., Ltd.**, Qingdao (CN)

(\*\*) Term: **15 Years**

(21) Appl. No.: **29/743,828**

(22) Filed: **Jul. 24, 2020**

(30) **Foreign Application Priority Data**

Apr. 21, 2020 (CN) ..... 202030164673.7

(51) **LOC (13) Cl.** ..... **23-04**

(52) **U.S. Cl.**  
USPC ..... **D23/351**

(58) **Field of Classification Search**  
USPC ..... D23/333, 335, 351-367, 388, 397  
CPC ..... A01G 13/06; A61L 9/032; A61L 9/122;  
F24F 1/00; F24F 1/02; F24F 1/06; F24F 1/08; F24F 1/12; F24F 1/14; F24F 1/16;  
F24F 1/18; F24F 1/0007; F24F 1/0022;  
F24F 1/0029; F24F 1/0033; F24F 3/12;  
F24F 3/16

See application file for complete search history.

(56) **References Cited**

**U.S. PATENT DOCUMENTS**

D398,388 S \* 9/1998 Aihara ..... D23/351  
D508,118 S \* 8/2005 Motonishi ..... D23/351

D683,835 S \* 6/2013 Katou ..... D23/351  
8,763,416 B2 \* 7/2014 Hika ..... F24F 1/22  
62/298  
8,978,393 B2 \* 3/2015 Hika ..... F24F 1/22  
62/77  
D816,821 S \* 5/2018 Tajima ..... D23/354  
2015/0198339 A1 \* 7/2015 Jeon ..... F25D 17/06  
62/259.2  
2016/0356518 A1 \* 12/2016 Kurachi ..... F24F 11/79

\* cited by examiner

*Primary Examiner* — Gino Colan

*Assistant Examiner* — David OBrien

(74) *Attorney, Agent, or Firm* — Maier & Maier, PLLC

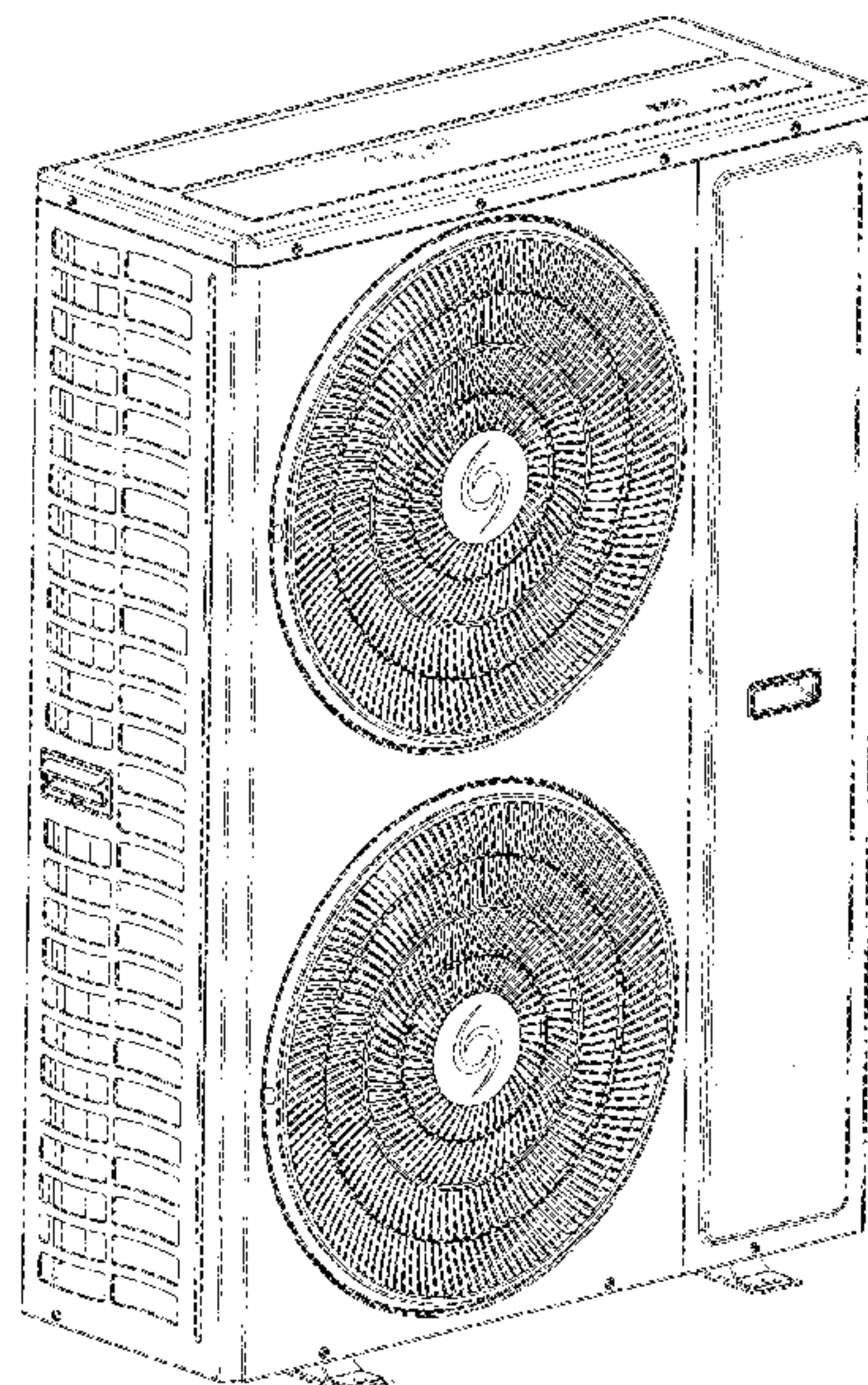
(57) **CLAIM**

The ornamental design for an outdoor unit of air conditioner, as shown and described.

**DESCRIPTION**

FIG. 1 is a first perspective view of an outdoor unit of air conditioner;  
FIG. 2 is a second perspective view of the outdoor unit of air conditioner;  
FIG. 3 is a front view of the outdoor unit of air conditioner;  
FIG. 4 is a rear view of the outdoor unit of air conditioner;  
FIG. 5 is a left side view of the outdoor unit of air conditioner;  
FIG. 6 is a right side view of the outdoor unit of air conditioner;  
FIG. 7 is a top view of the outdoor unit of air conditioner;  
and,  
FIG. 8 is a bottom view of the outdoor unit of air conditioner.  
The broken line showing in the figures shows portions of the outdoor unit of air conditioner that form no part of the claimed design.

**1 Claim, 7 Drawing Sheets**





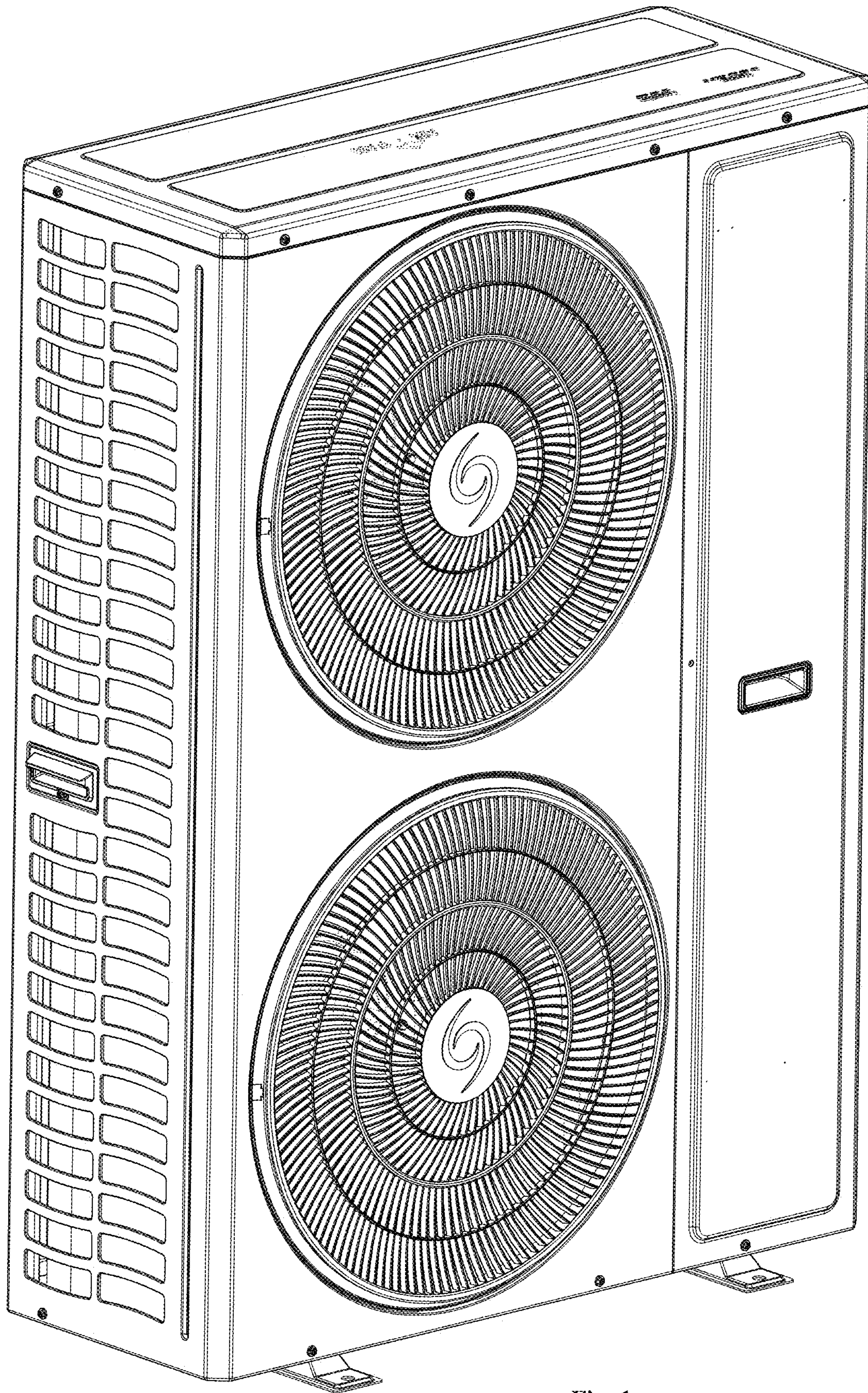


Fig. 1



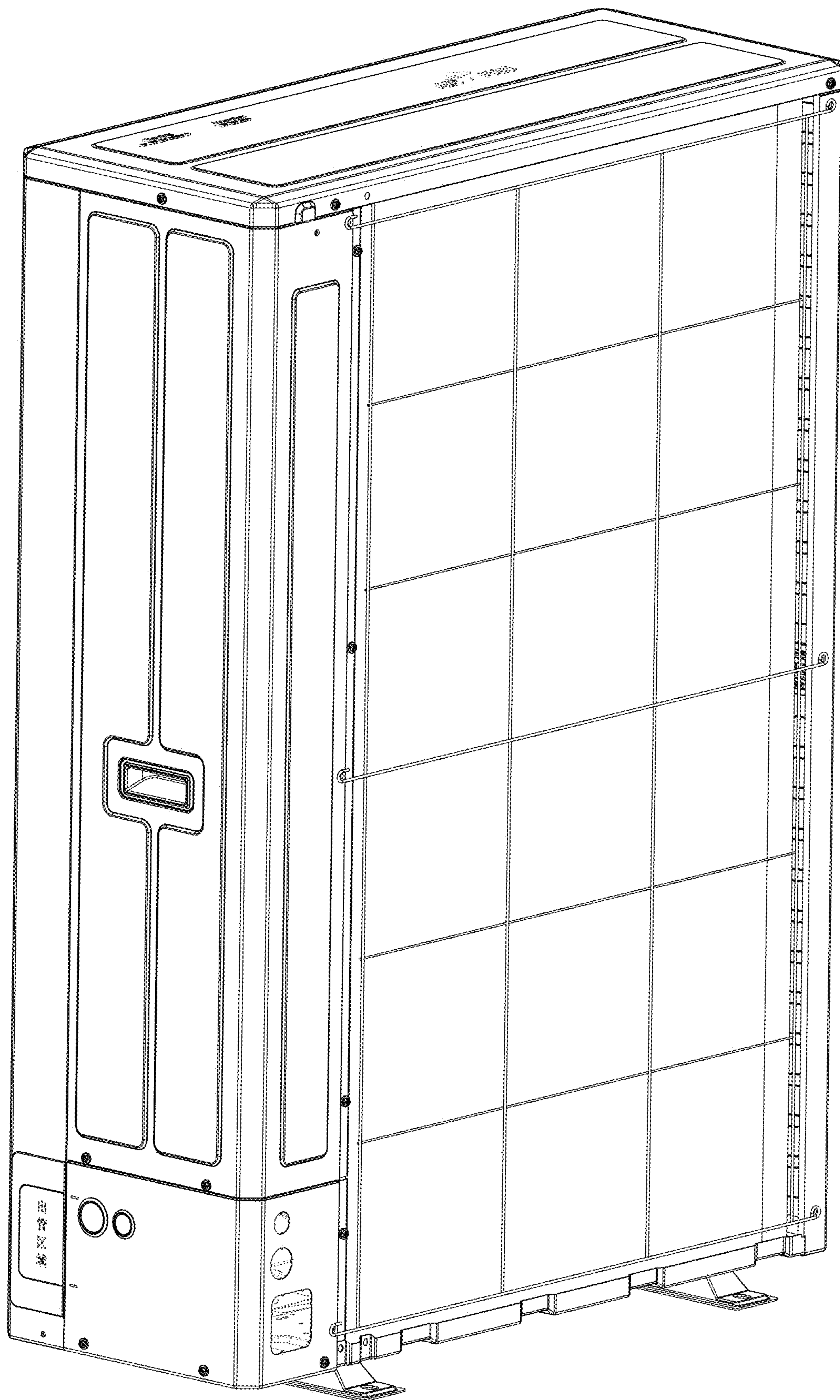


Fig. 2



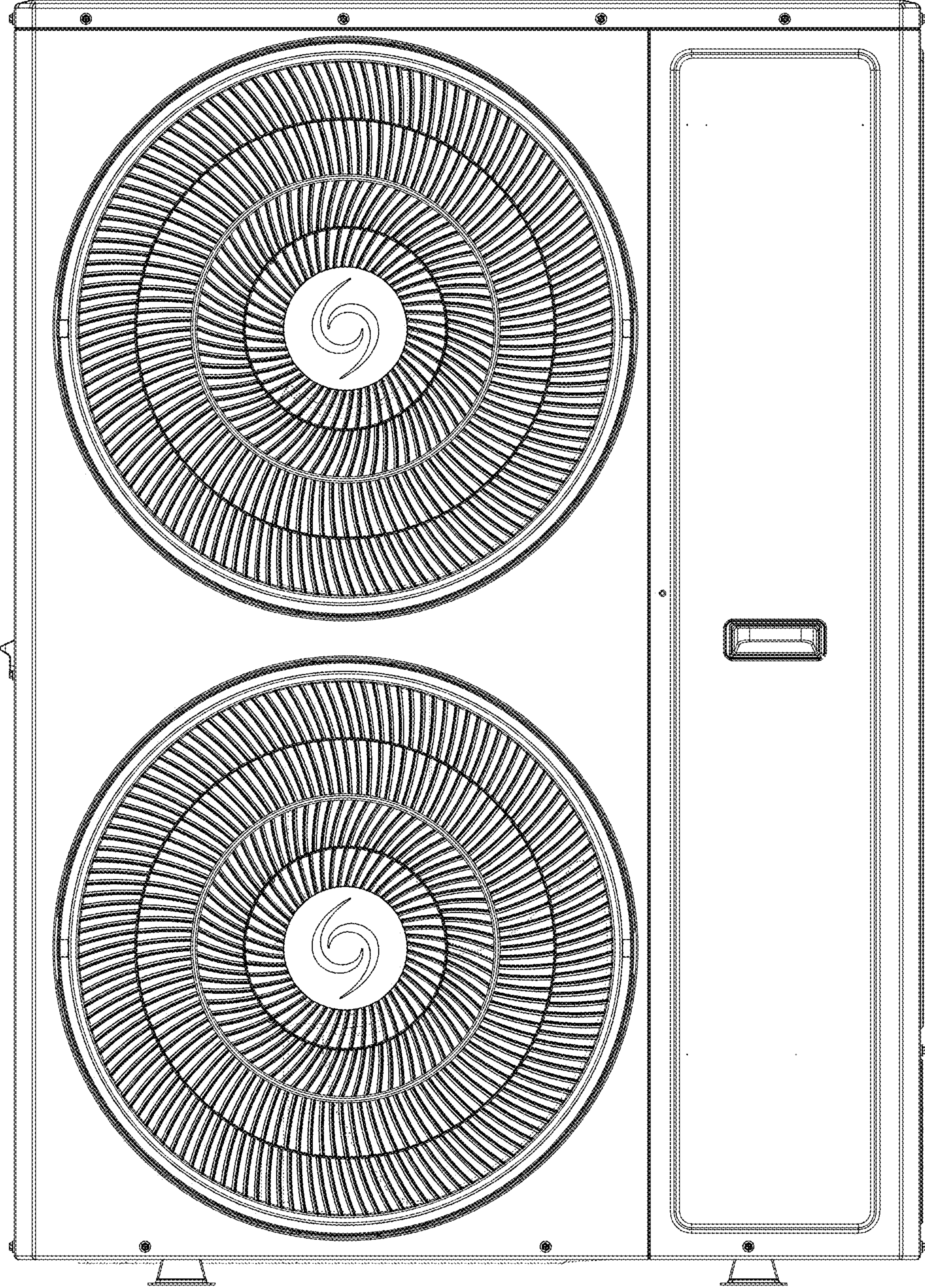


Fig. 3



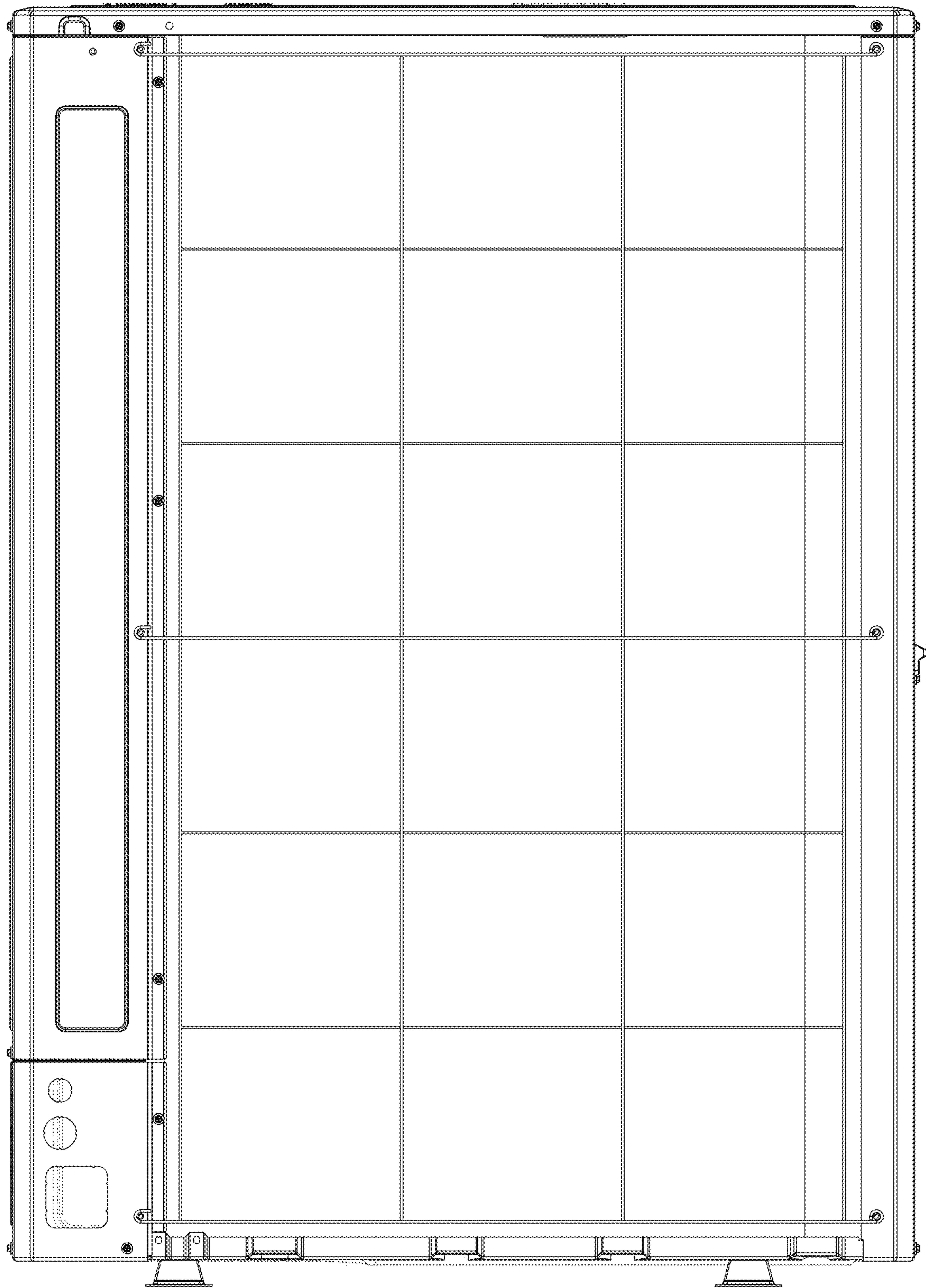


Fig. 4

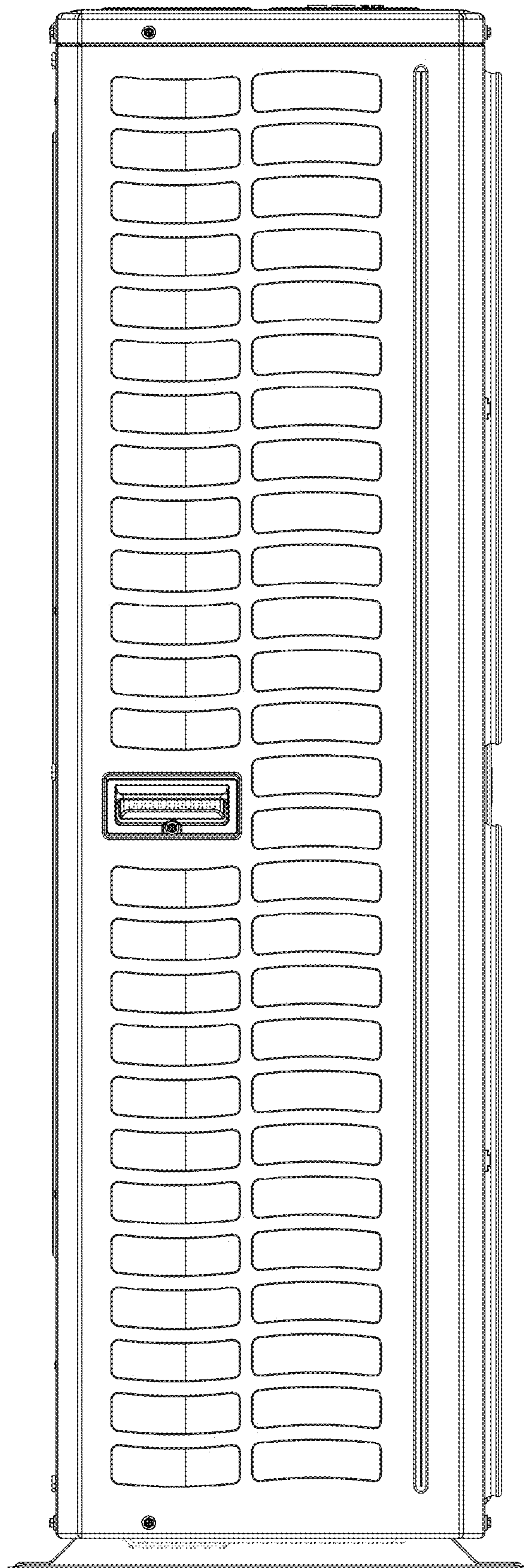


Fig. 5

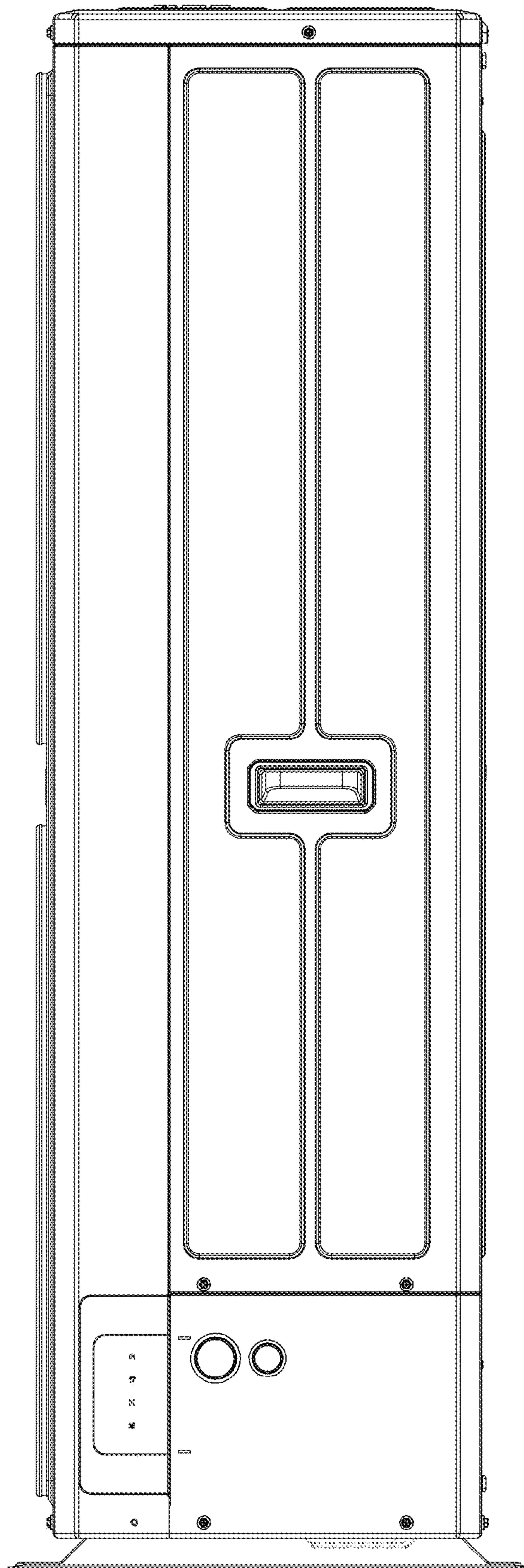


Fig. 6



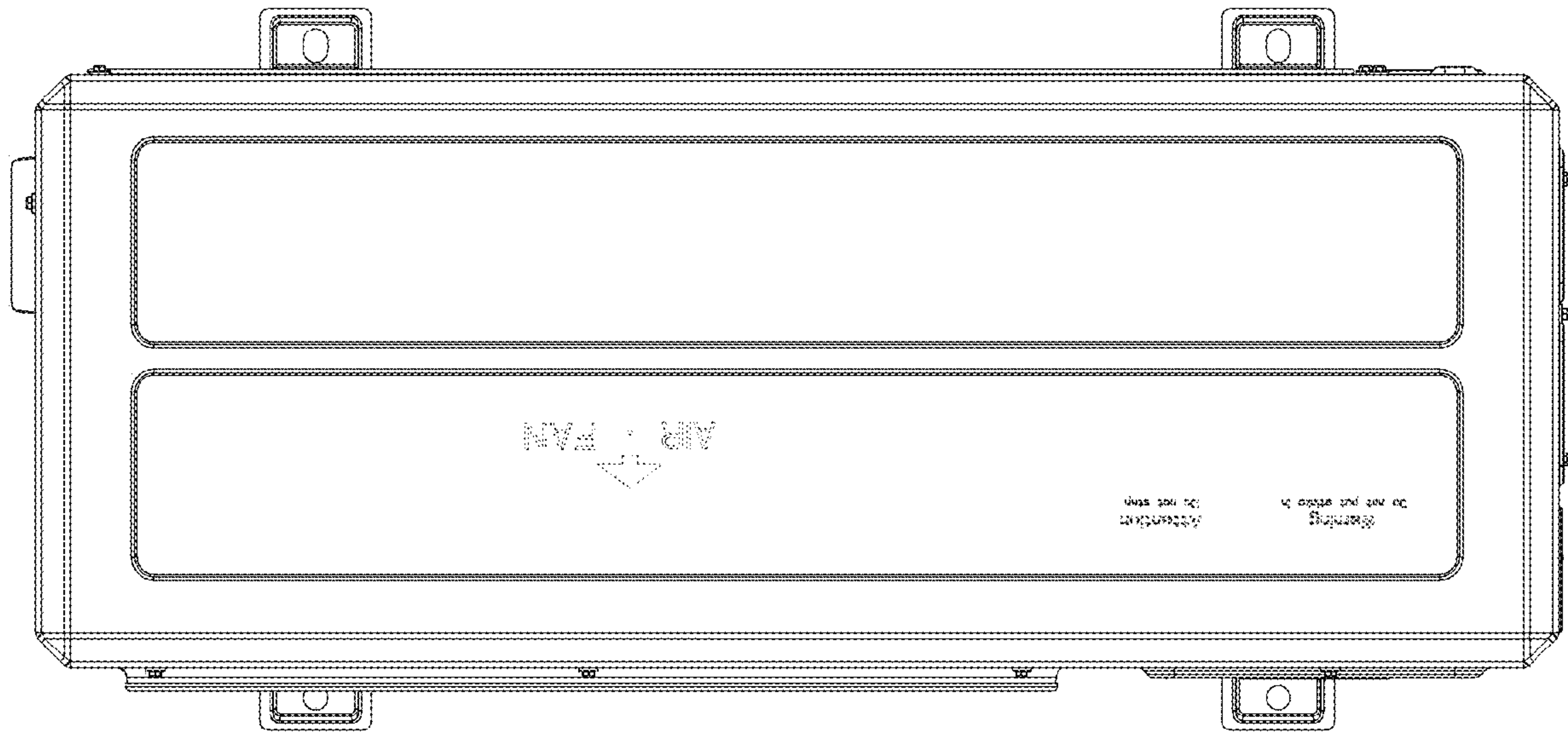


Fig. 7

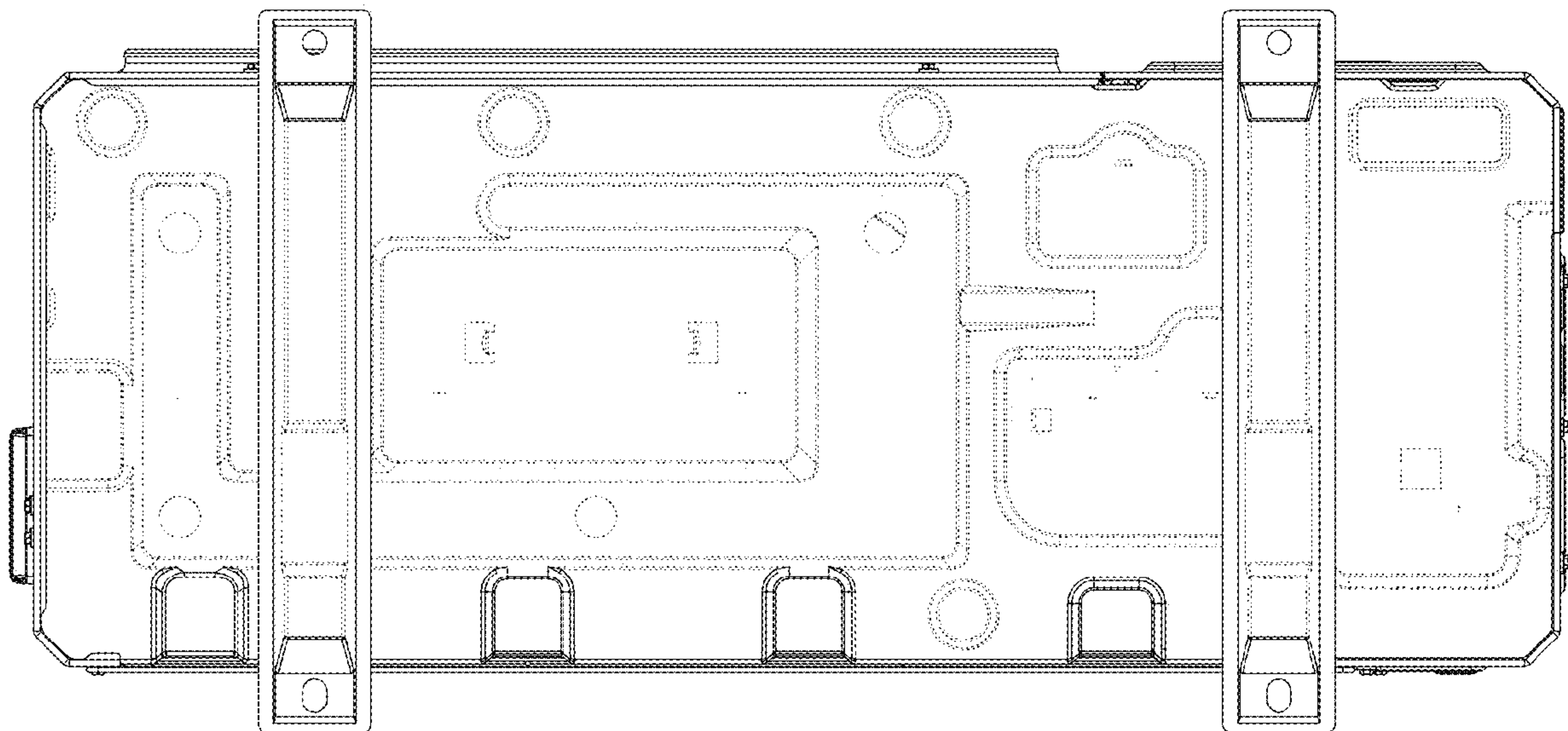


Fig. 8