



US00D969281S

(12) **United States Design Patent**  
**Slothower**

(10) **Patent No.:** **US D969,281 S**  
(45) **Date of Patent:** **\*\* Nov. 8, 2022**

(54) **TOILET SEAT LID**

**DESCRIPTION**

- (71) Applicant: **Kohler Co.**, Kohler, WI (US)
- (72) Inventor: **Erich D. Slothower**, Mill Valley, CA (US)
- (73) Assignee: **Kohler Co.**, Kohler, WI (US)
- (\*\*) Term: **15 Years**
- (21) Appl. No.: **29/724,160**
- (22) Filed: **Feb. 13, 2020**
- (51) **LOC (13) Cl.** ..... **23-02**
- (52) **U.S. Cl.**  
USPC ..... **D23/311**
- (58) **Field of Classification Search**  
USPC ..... D23/295–296, 300–301, 311–312  
See application file for complete search history.

(56) **References Cited**

**U.S. PATENT DOCUMENTS**

D434,839 S	*	12/2000	Hulsebus	.....	D23/311
D509,290 S		9/2005	Hisey		
D532,496 S		11/2006	Bates		
D556,308 S		11/2007	Hisey		
D593,654 S	*	6/2009	De Lay	.....	D23/309
D693,912 S	*	11/2013	Fullerton, Jr.	.....	D23/311
D697,600 S		1/2014	Fullerton, Jr. et al.		
D855,783 S	*	8/2019	Wu	.....	D23/311
D867,560 S	*	11/2019	Goad	.....	D23/311
D944,952 S	*	3/2022	Cheng	.....	D23/311

\* cited by examiner

*Primary Examiner* — Robert A Delehanty  
(74) *Attorney, Agent, or Firm* — Lempia Summerfield Katz LLC

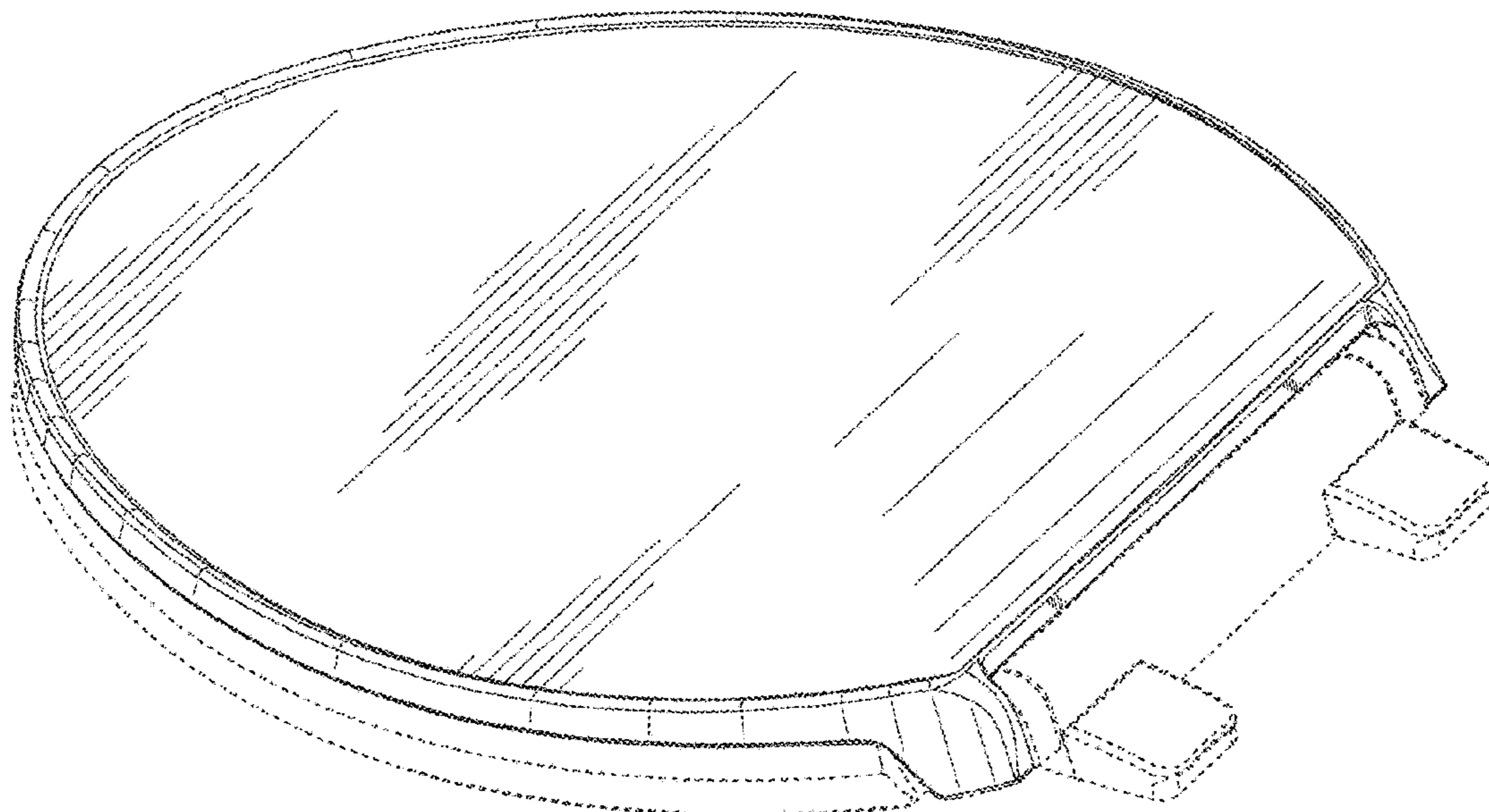
(57) **CLAIM**

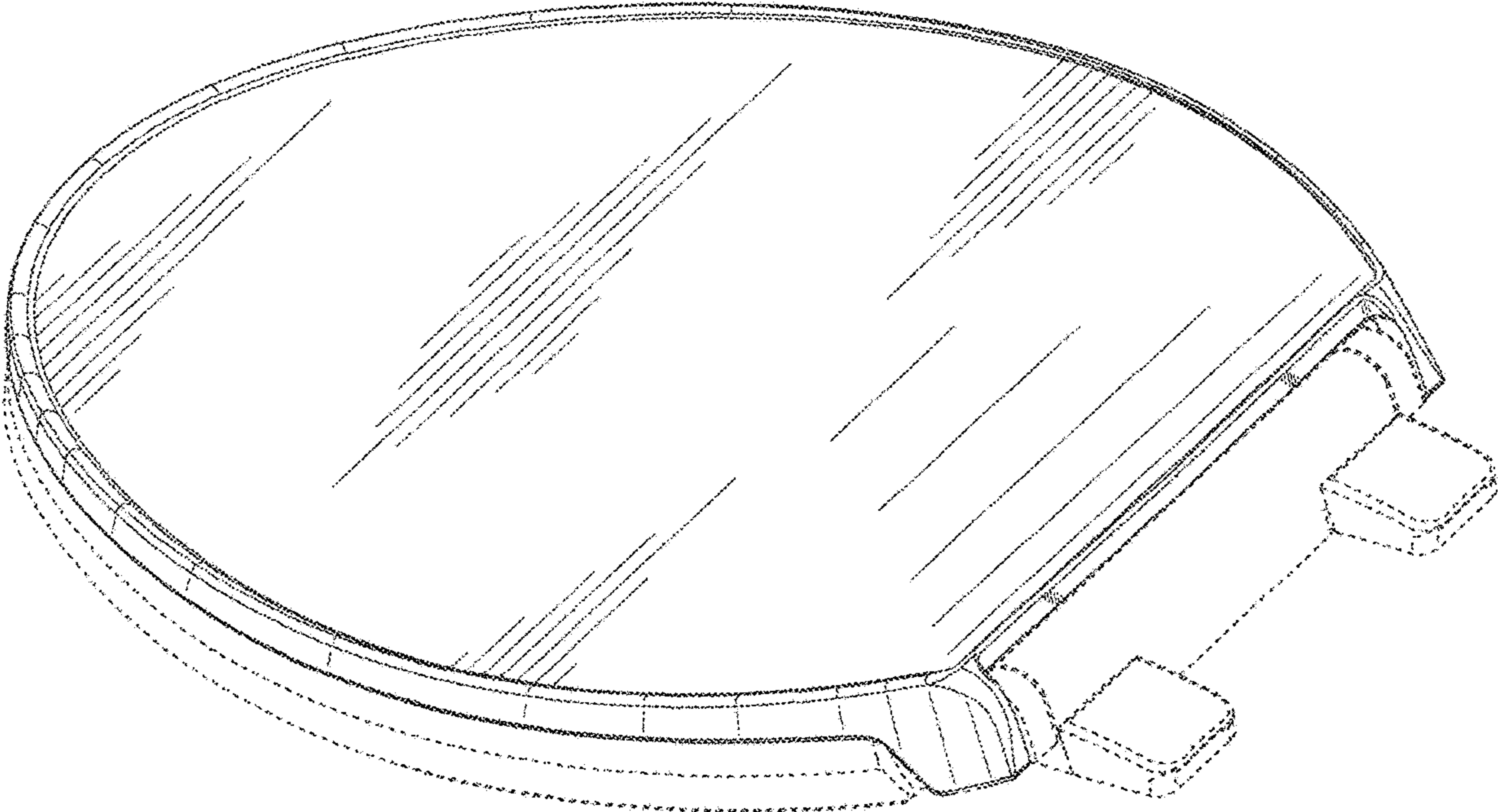
I claim the ornamental design for a toilet seat lid, as shown and described.

FIG. 1 is a perspective view of an embodiment of the claimed design;  
 FIG. 2 is a front view of the claimed design shown in FIG. 1;  
 FIG. 3 is a rear view of the claimed design shown in FIG. 1;  
 FIG. 4 is a side view of the claimed design shown in FIG. 1;  
 FIG. 5 is another side view of the claimed design shown in FIG. 1;  
 FIG. 6 is a top view of the claimed design shown in FIG. 1;  
 FIG. 7 is a bottom view of the claimed design shown in FIG. 1;  
 FIG. 8 is a perspective view of another embodiment of the claimed design;  
 FIG. 9 is a front view of the claimed design shown in FIG. 8;  
 FIG. 10 is a rear view of the claimed design shown in FIG. 8;  
 FIG. 11 is a side view of the claimed design shown in FIG. 8;  
 FIG. 12 is another side view of the claimed design shown in FIG. 8;  
 FIG. 13 is a top view of the claimed design shown in FIG. 8; and,  
 FIG. 14 is a bottom view of the claimed design shown in FIG. 8.

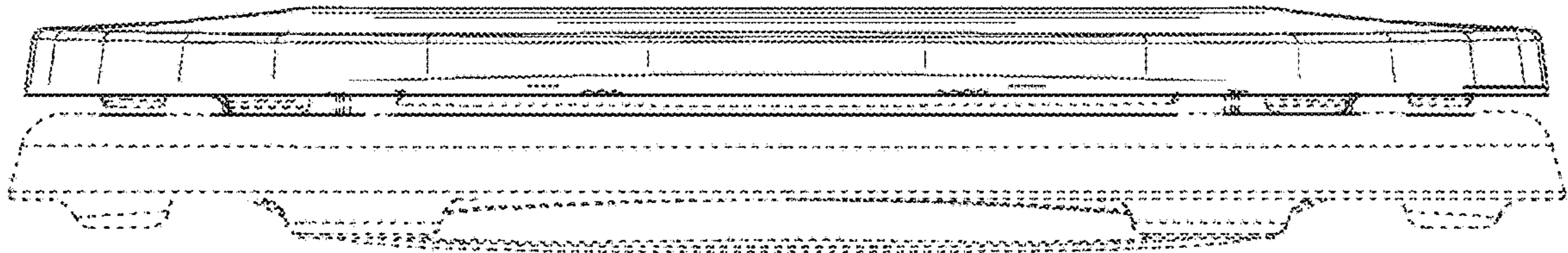
The ornamental design that is claimed is shown in the drawings as solid lines and surfaces having surface shading. The broken lines in the drawings are for illustrative purposes only and form no part of the claimed design. For example, broken lines formed by equal length dashes show unclaimed portions of the design. Broken lines formed of unequal length dashes (i.e., dash-dot) show boundaries between either claimed and unclaimed portions of the design or between unclaimed and unclaimed portions of the design.

**1 Claim, 10 Drawing Sheets**

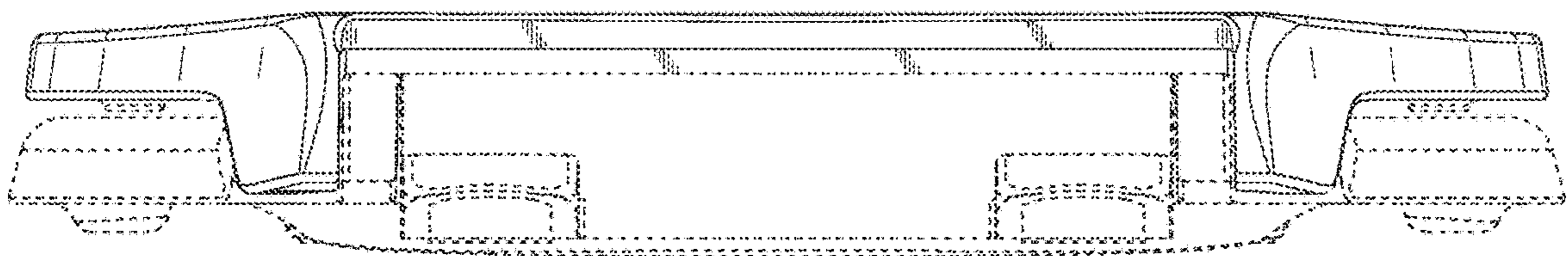




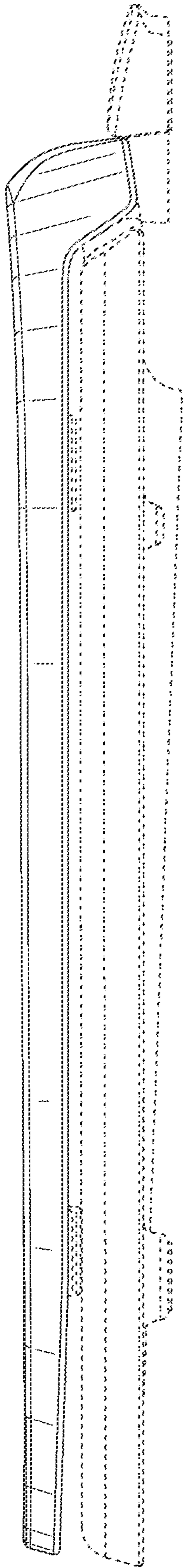
**FIG. 1**



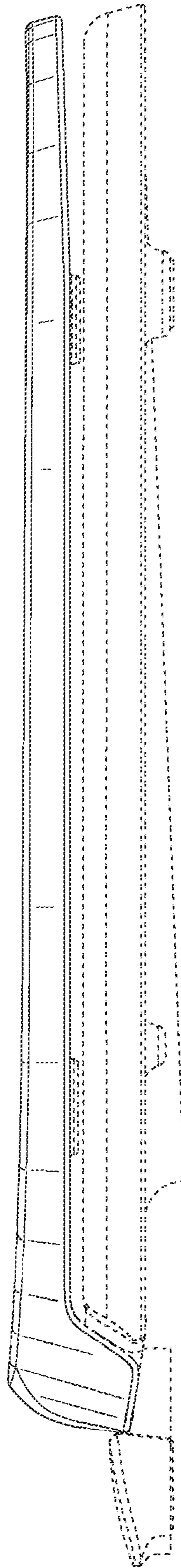
**FIG. 2**



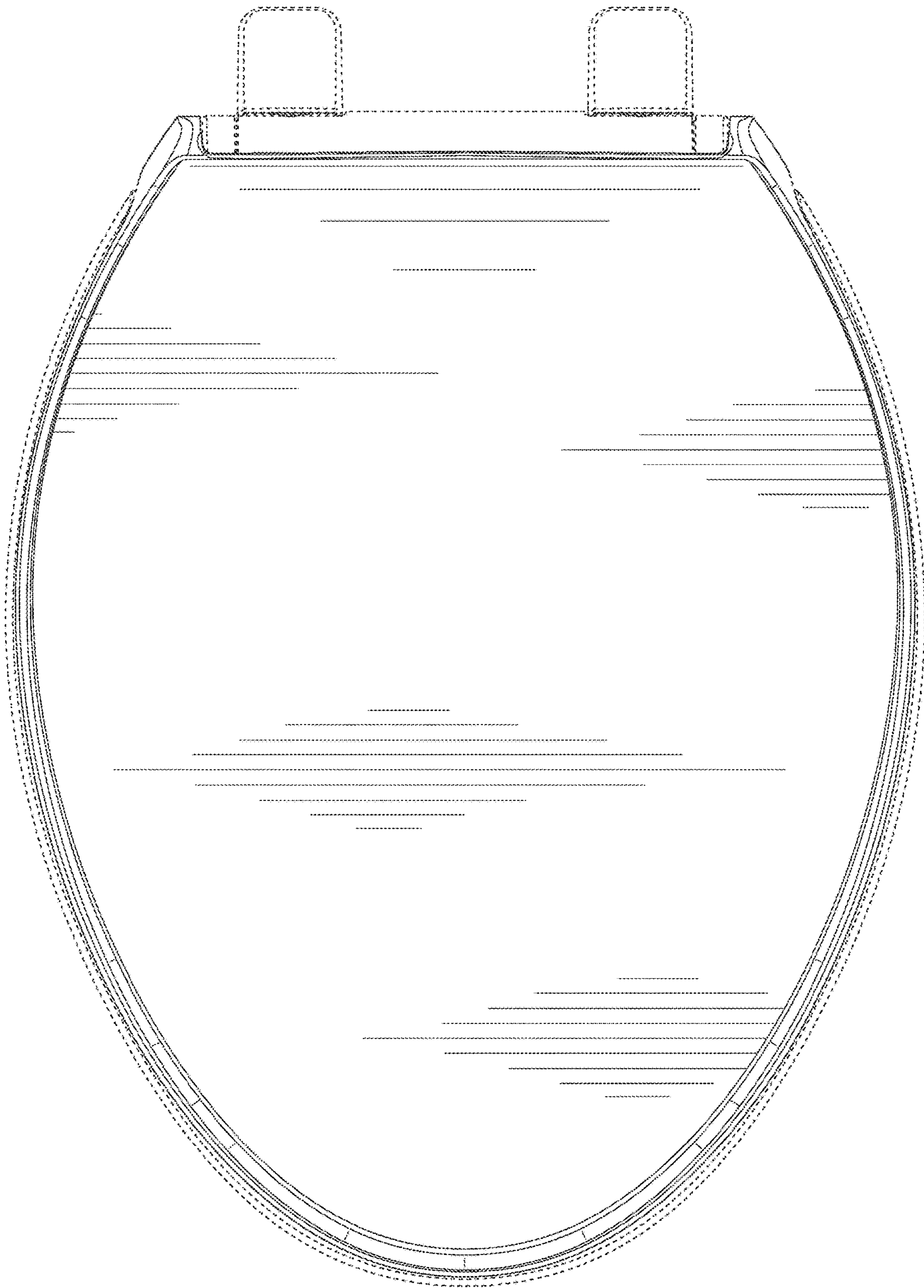
**FIG. 3**



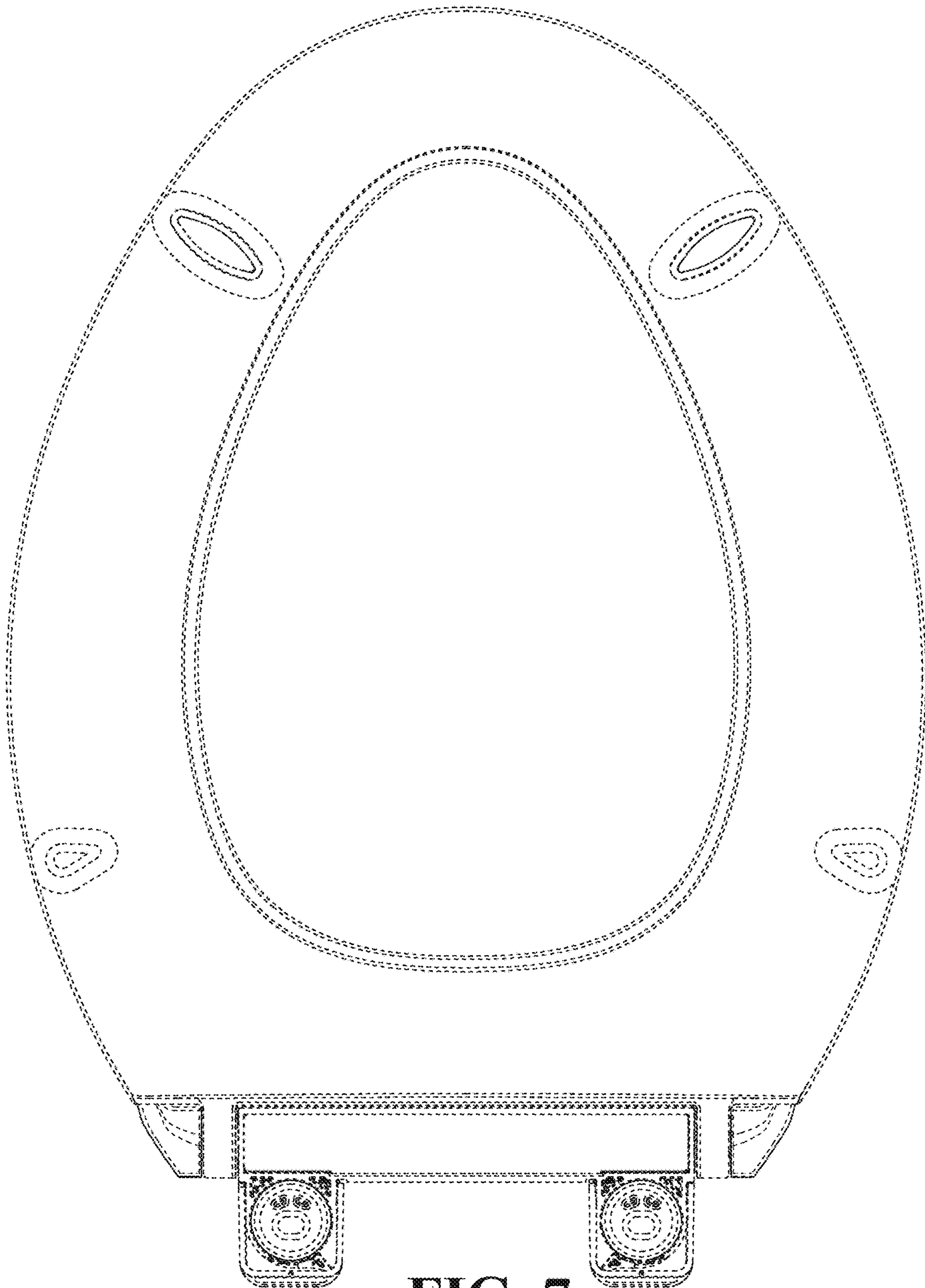
**FIG. 4**



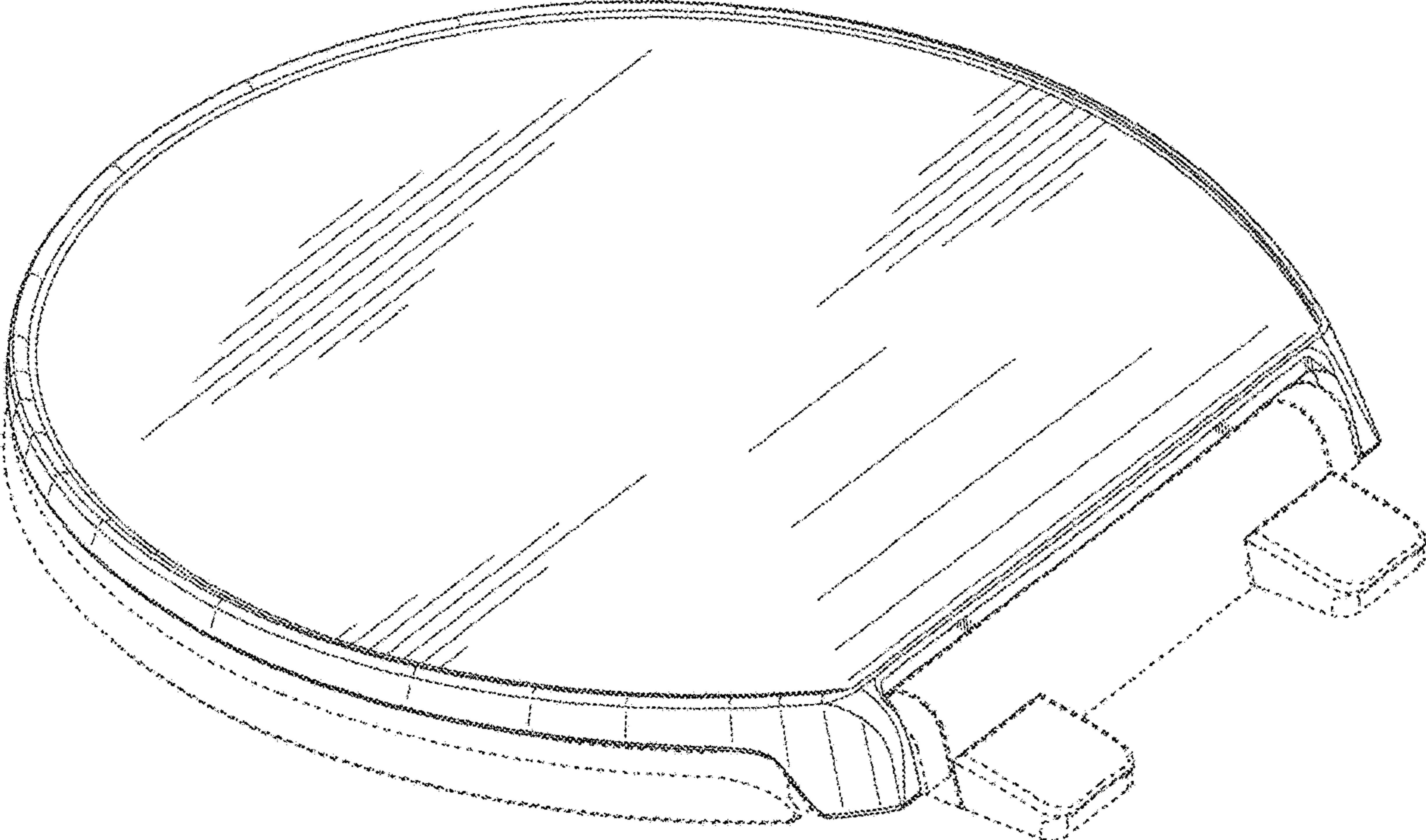
**FIG. 5**



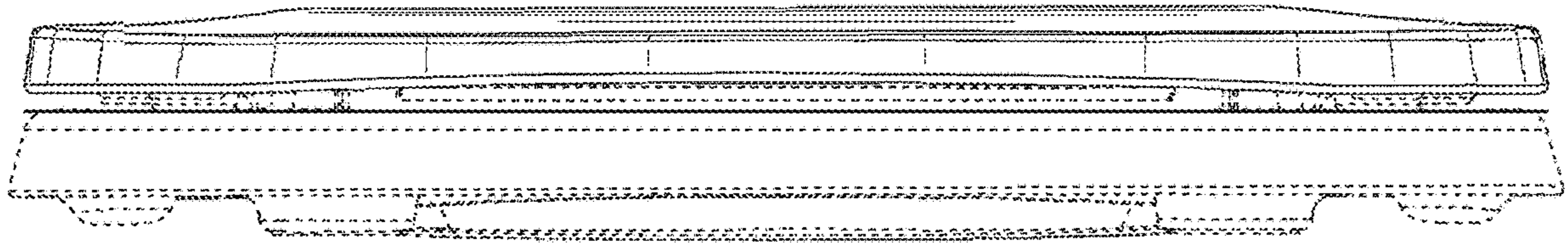
**FIG. 6**



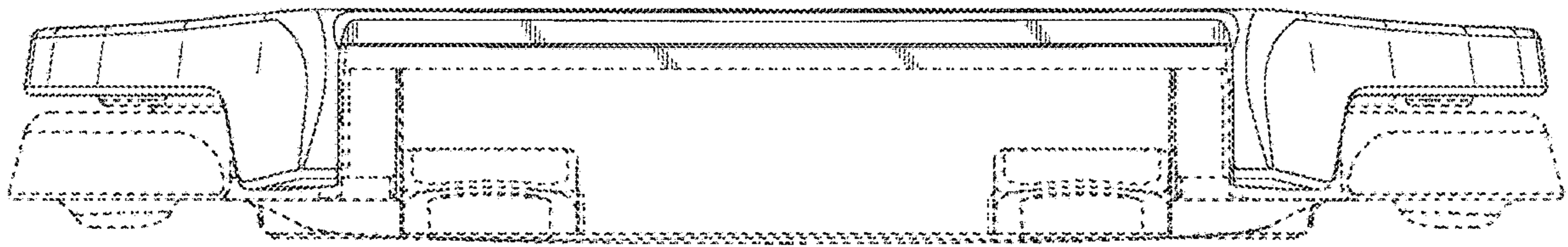
**FIG. 7**



**FIG. 8**

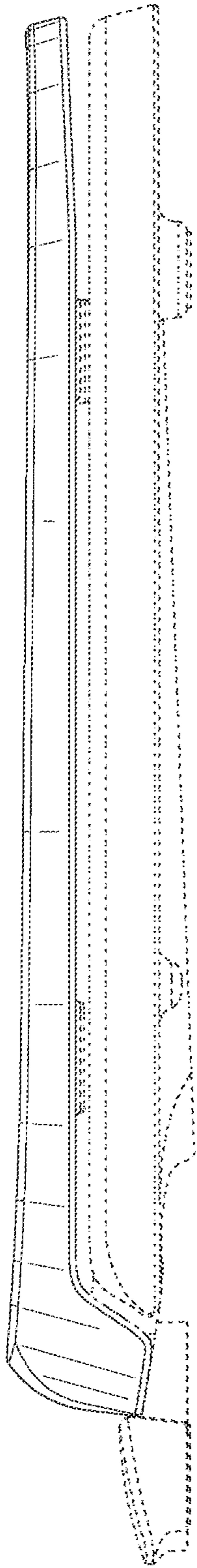


**FIG. 9**

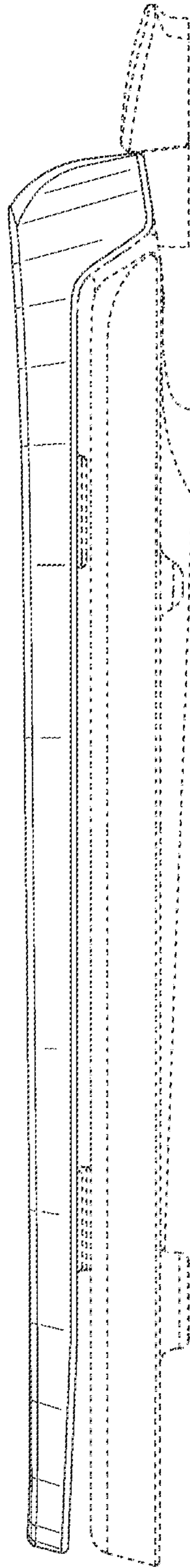


**FIG. 10**

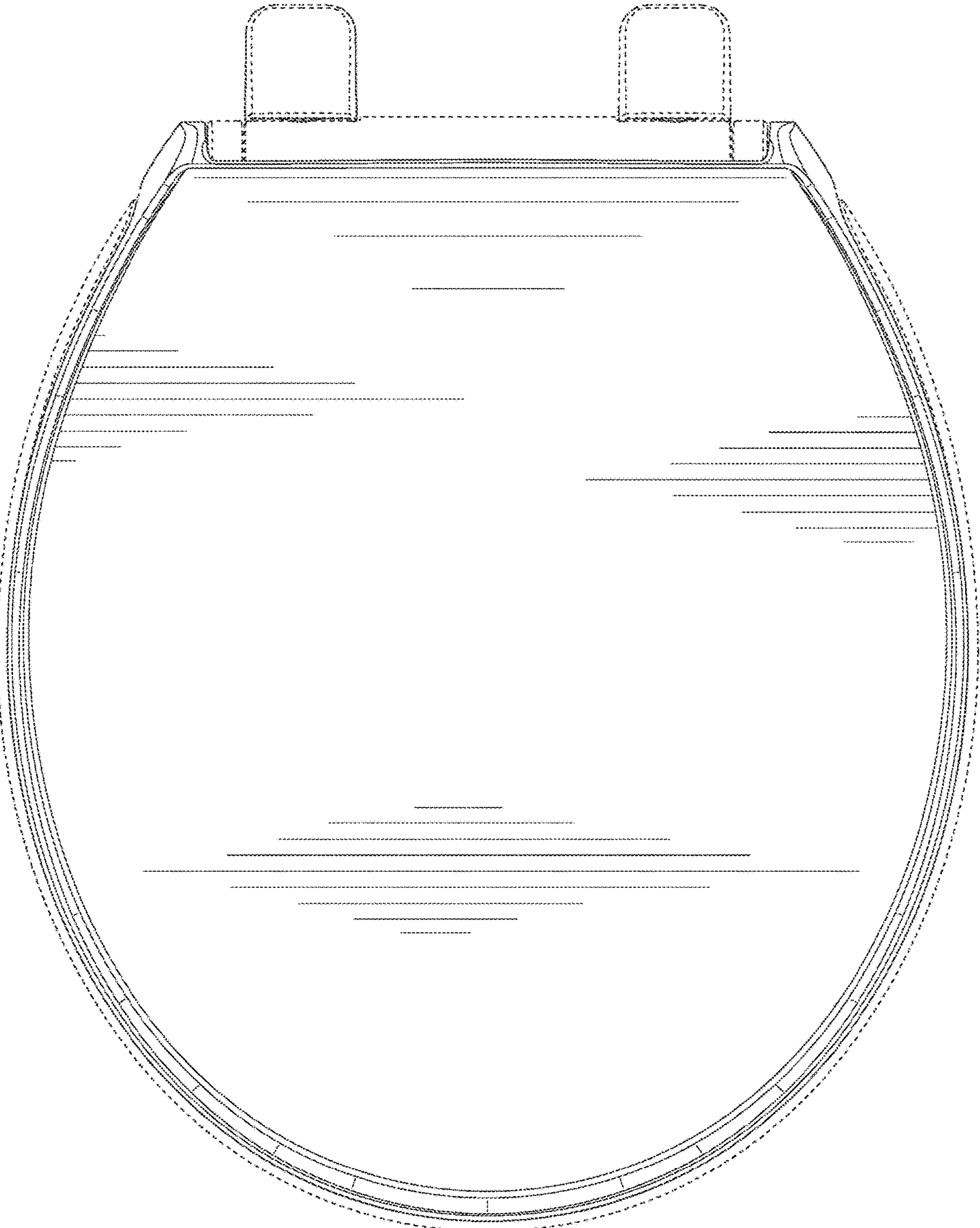




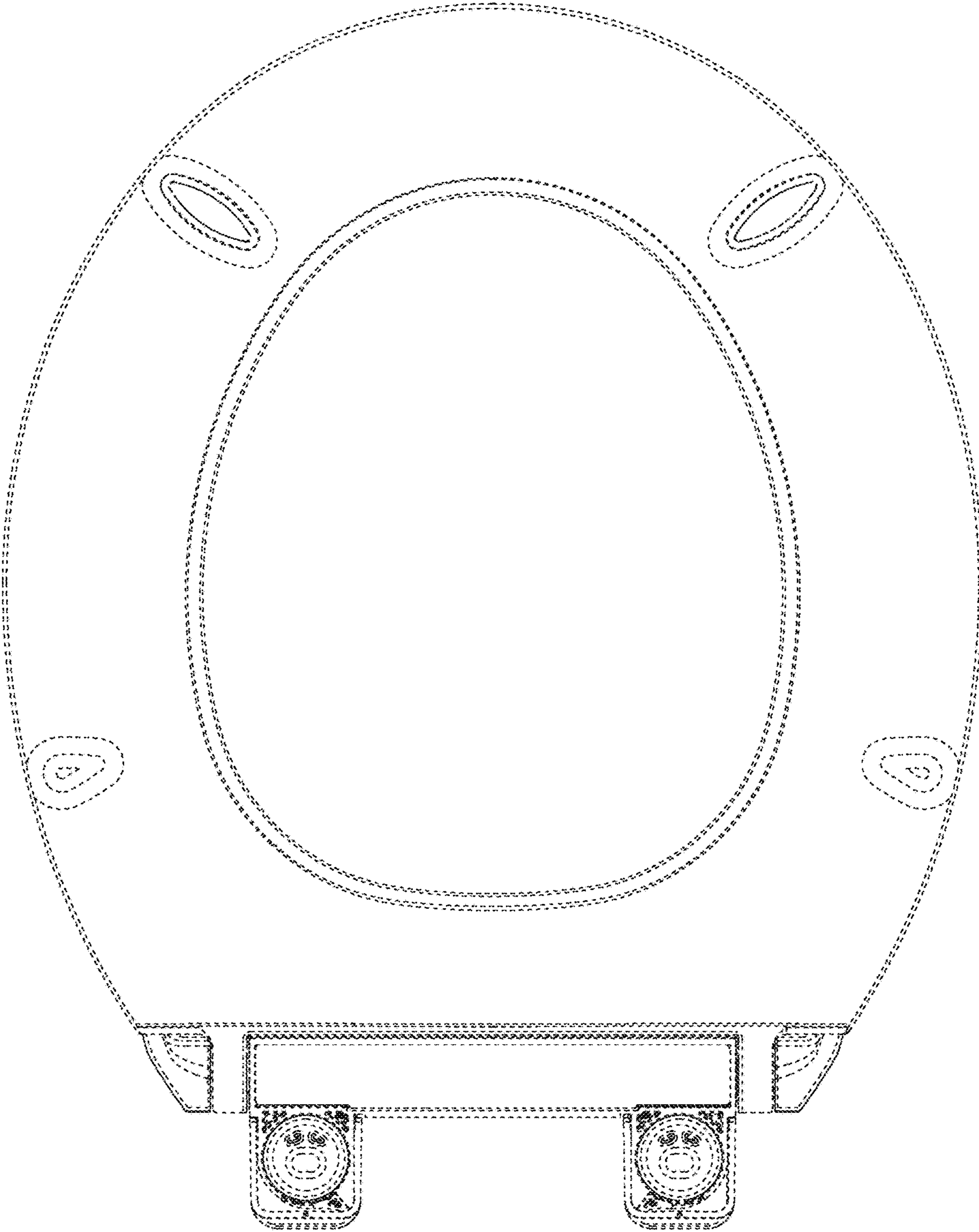
**FIG. 11**



**FIG. 12**



**FIG. 13**



**FIG. 14**