



US00D969280S

(12) **United States Design Patent** (10) **Patent No.:** **US D969,280 S**
Cummings et al. (45) **Date of Patent:** **** Nov. 8, 2022**

- (54) **RIMLESS TOILET PAN**
- (71) Applicant: **Caroma Industries Limited**, North Sydney (AU)
- (72) Inventors: **Stephen John Cummings**, New South Wales (AU); **Vincent Kai Hong Ho**, New South Wales (AU)
- (73) Assignee: **Caroma Industries Limited**, North Sydney (AU)

D602,137 S *	10/2009	Kergoet	D23/295
D825,041 S *	8/2018	Mesun	D23/309
D829,309 S *	9/2018	Cummings	D23/295
D866,728 S *	11/2019	Kergoet	D23/295
2017/0198467 A1 *	7/2017	Cummings	E03D 11/08
2017/0370085 A1 *	12/2017	Cummings	E03D 11/08

* cited by examiner

Primary Examiner — John A Voytek

(74) *Attorney, Agent, or Firm* — Wood, Phillips, Katz, Clark & Mortimer

- (**) Term: **15 Years**
- (21) Appl. No.: **29/674,946**
- (22) Filed: **Dec. 27, 2018**

Related U.S. Application Data

- (63) Continuation of application No. 29/591,271, filed on Jan. 18, 2017, now abandoned.

(30) **Foreign Application Priority Data**

Jul. 26, 2016 (AU) 201614066

(51) **LOC (13) Cl.** **23-02**

(52) **U.S. Cl.**
USPC **D23/295**

(58) **Field of Classification Search**
USPC D23/295–303, 309, 311–313
CPC A47K 11/02; A47K 11/026; A47K 11/00;
A47K 13/00; E03D 11/18; E03D 5/10;
E03D 13/00
See application file for complete search history.

(56) **References Cited**

U.S. PATENT DOCUMENTS

D414,851 S *	10/1999	Tani	D23/295
D536,428 S *	2/2007	Kohler, Jr.	D23/295

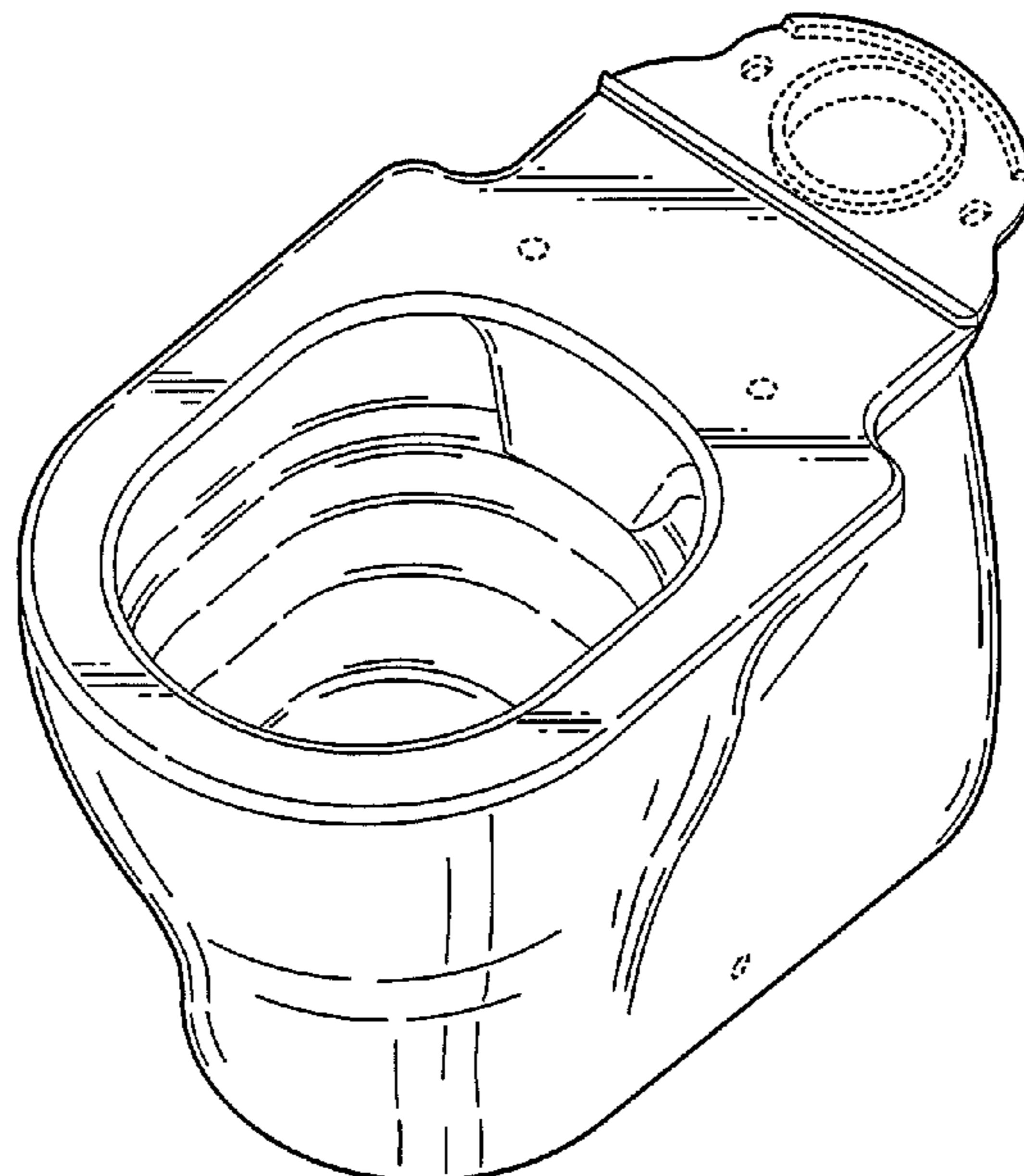
(57) **CLAIM**

The ornamental design for a rimless toilet pan, as shown and described.

DESCRIPTION

FIG. 1 is a perspective view taken from the top front and right side showing the rimless toilet pan;
 FIG. 2 is a perspective view taken from the top rear and right side showing the rimless toilet pan;
 FIG. 3 is a top plan view of the rimless toilet pan with section lines added;
 FIG. 4 is a rear elevation view of the rimless toilet pan;
 FIG. 5 is a left view of the rimless toilet pan with section lines added;
 FIG. 6 is a front view of the rimless toilet pan;
 FIG. 7 is a right view of the rimless toilet pan;
 FIG. 8 is a bottom view of the rimless toilet pan;
 FIG. 9 is a sectional view of the rimless toilet pan taken along the line 9-9 of FIG. 3;
 FIG. 10 is a sectional view of the rimless toilet pan taken along the line 10-10 of FIG. 5; and,
 FIG. 11 is a sectional view of the rimless toilet pan is taken along the line 11-11 of FIG. 5.

1 Claim, 11 Drawing Sheets



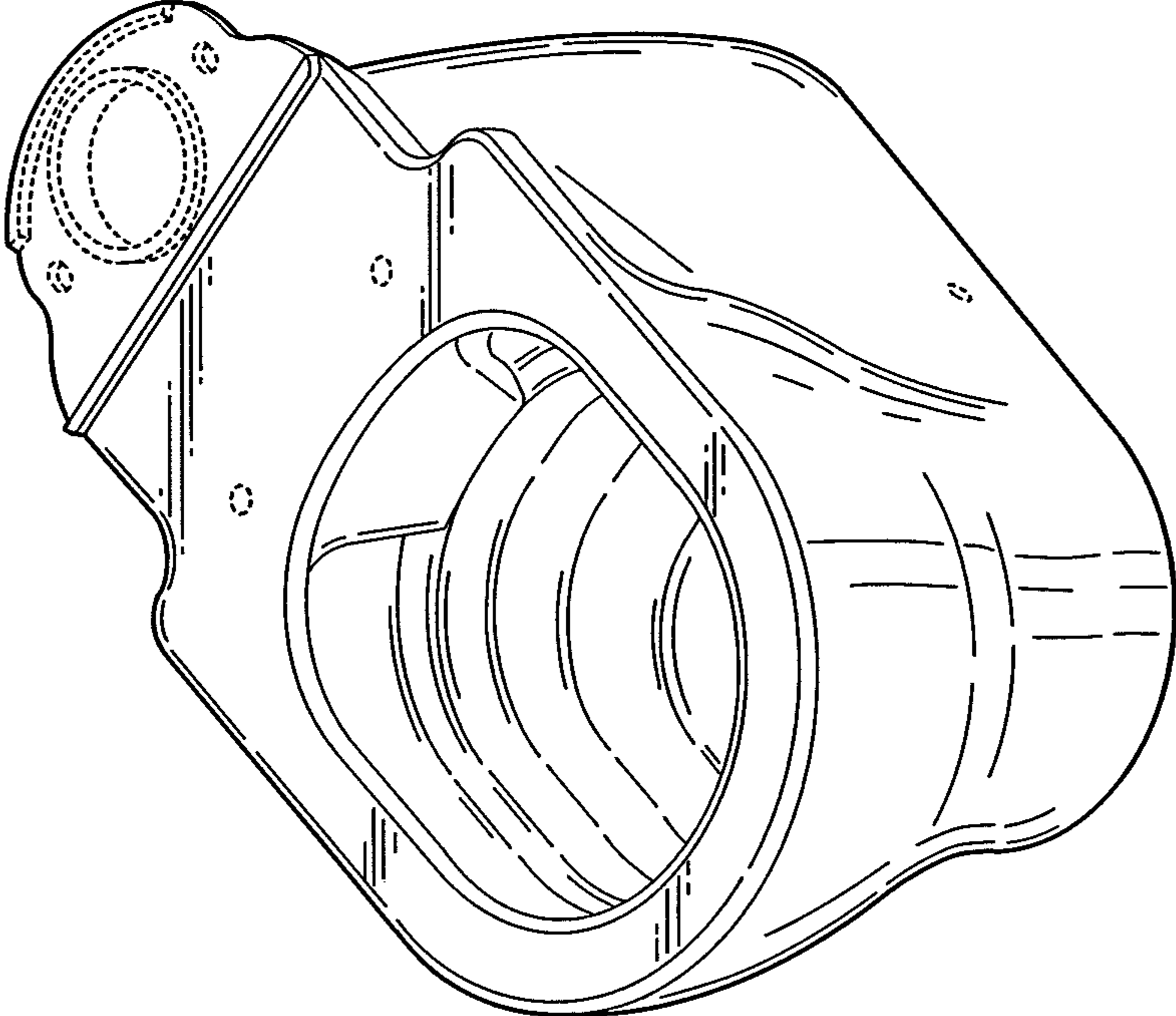


Fig. 1

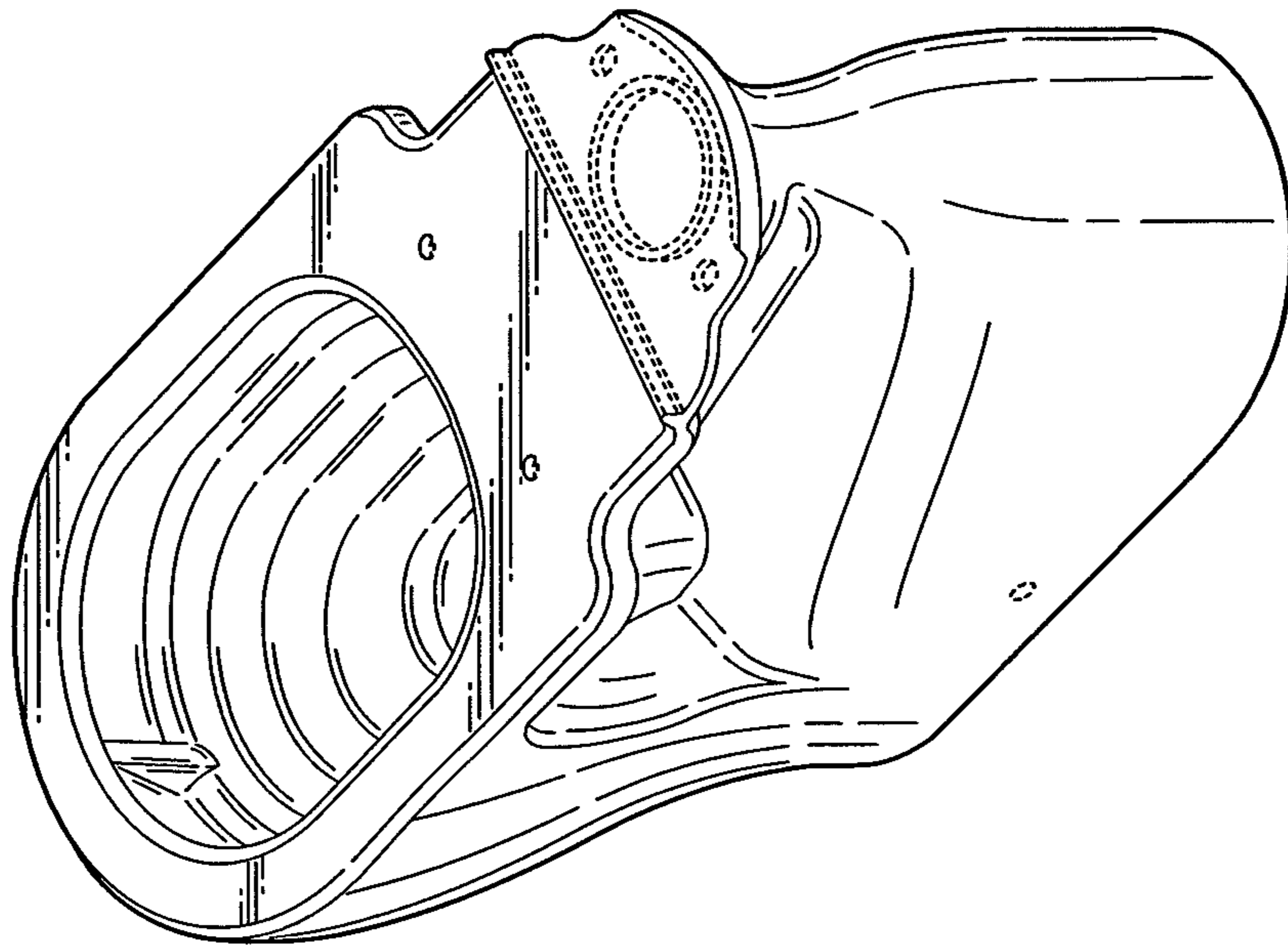


Fig. 2

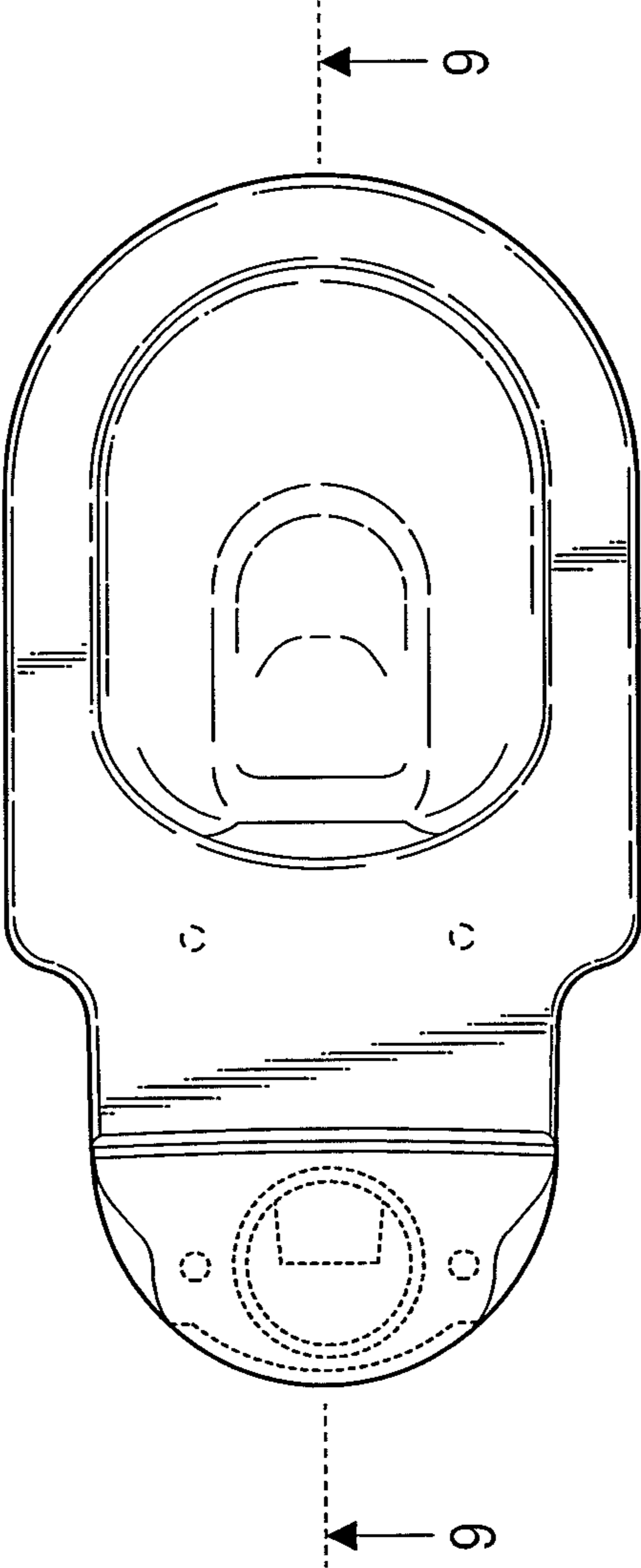


Fig. 3

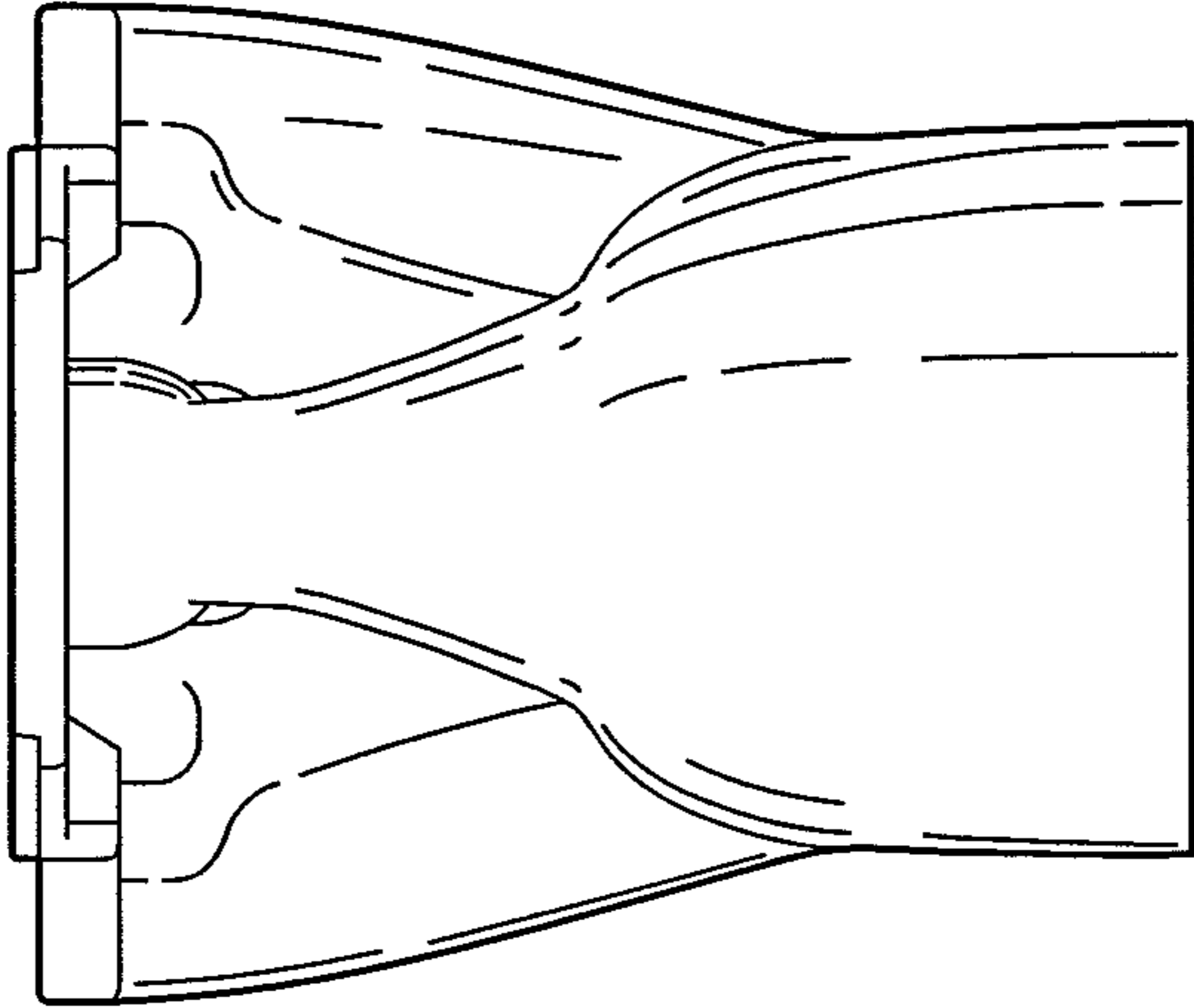


Fig. 4

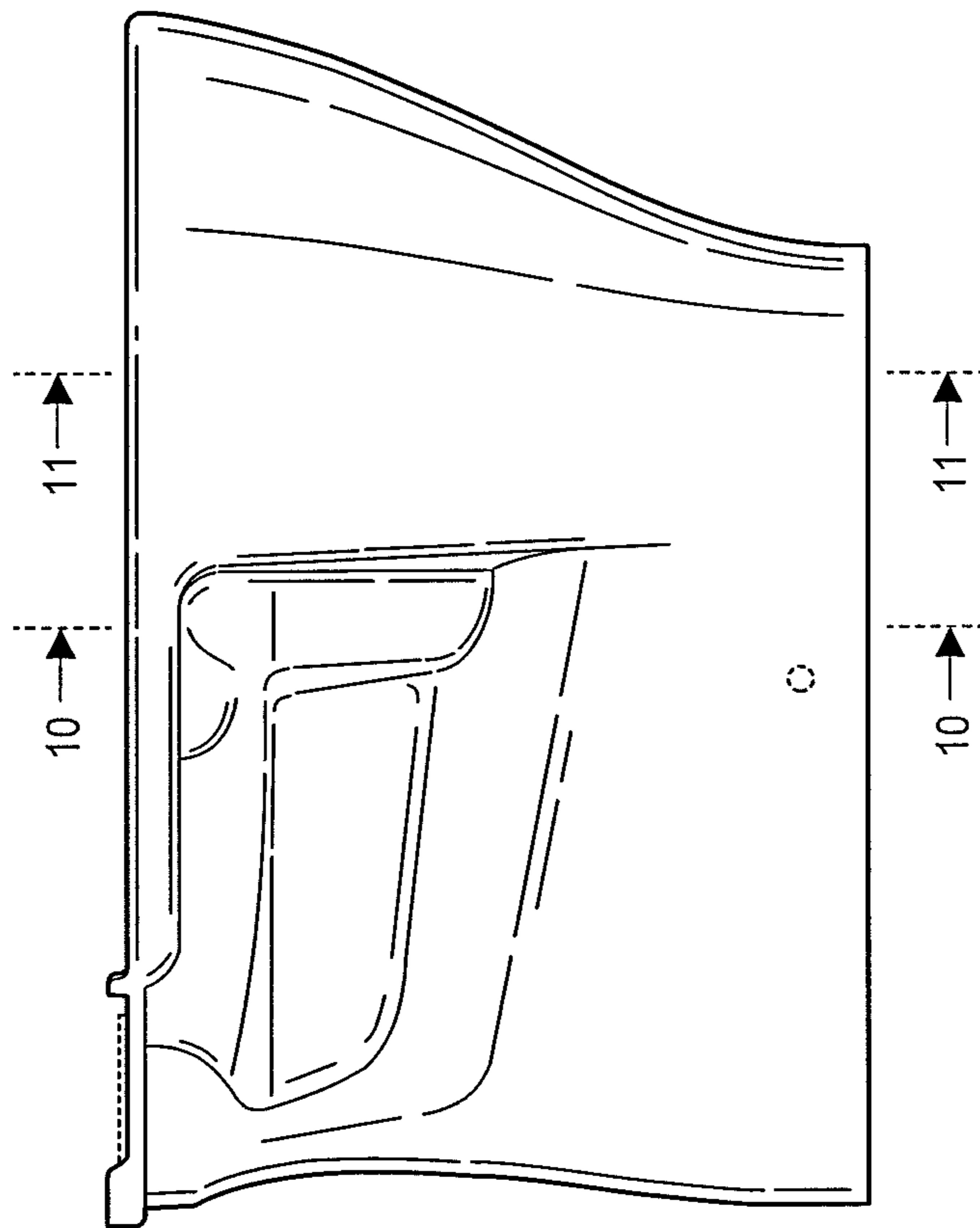


Fig. 5

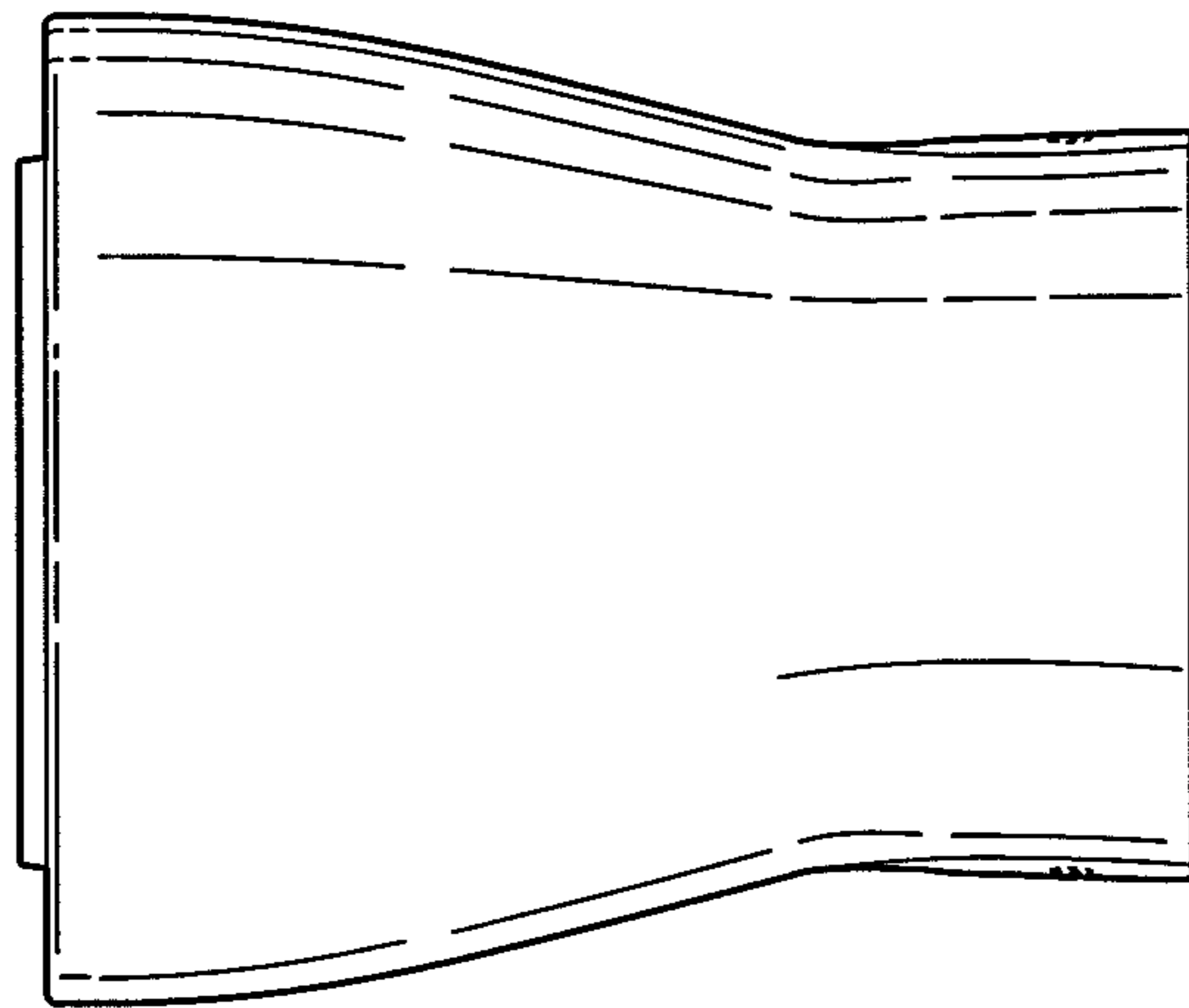


Fig. 6

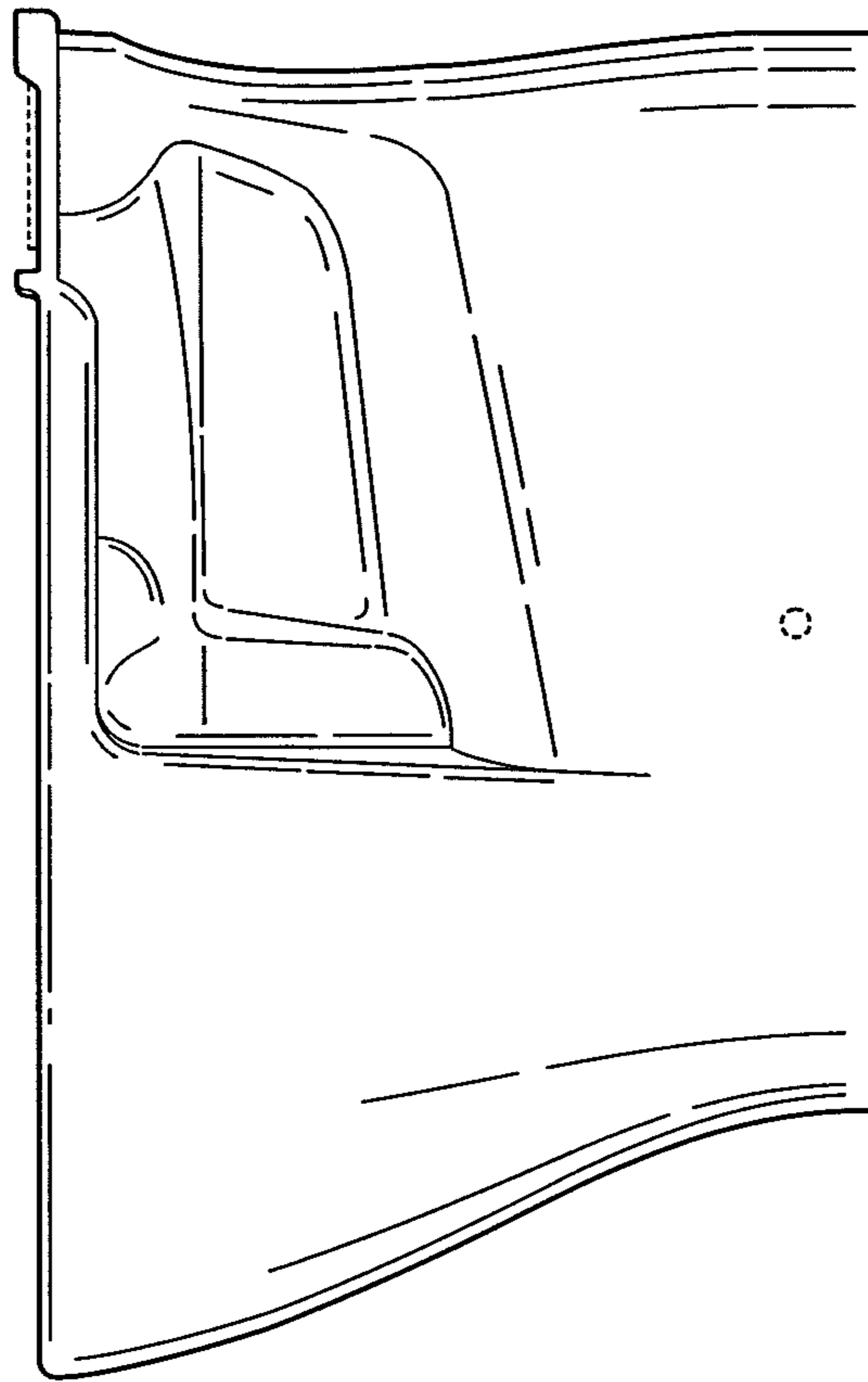


Fig. 7

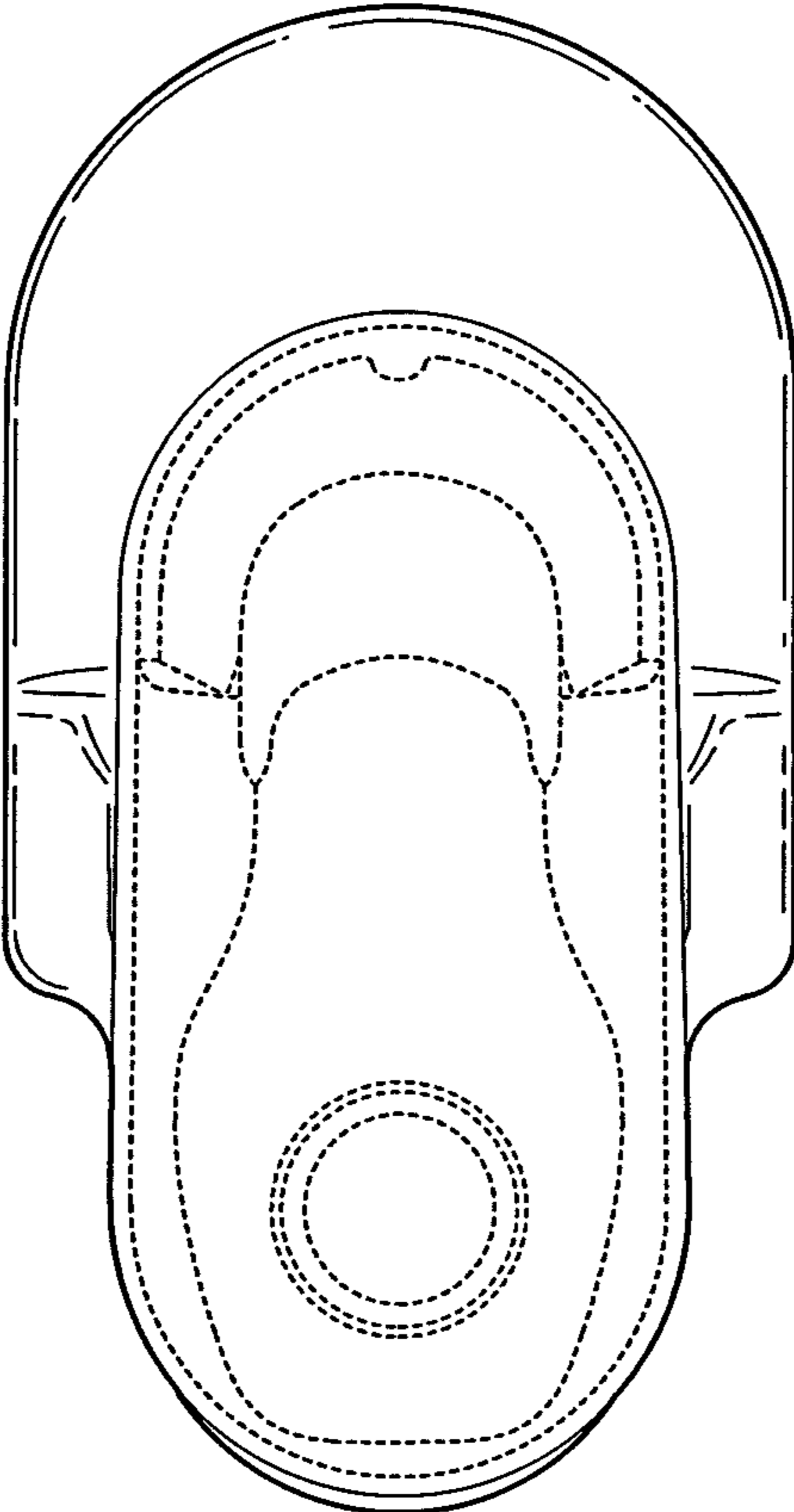


Fig. 8

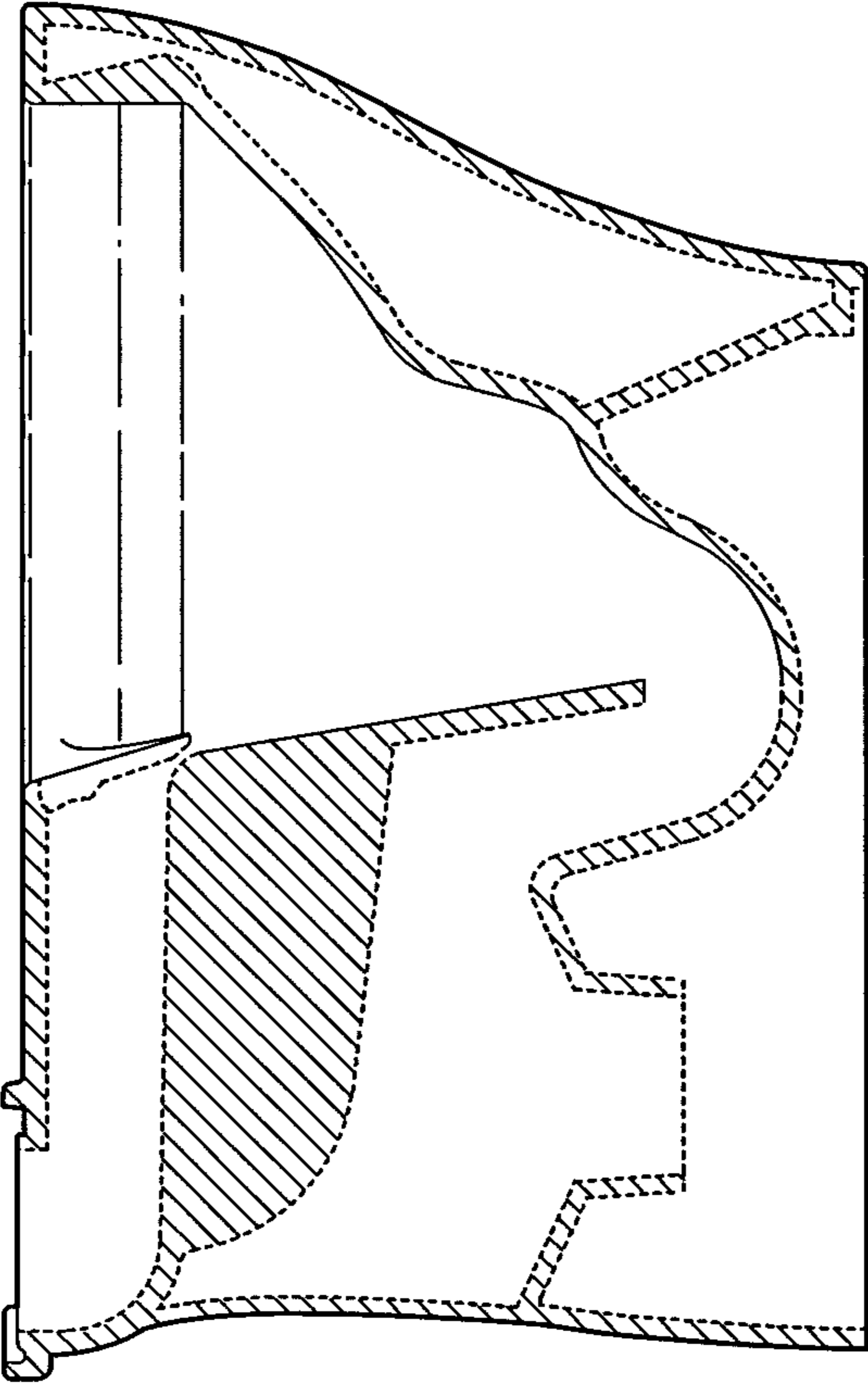


Fig. 9

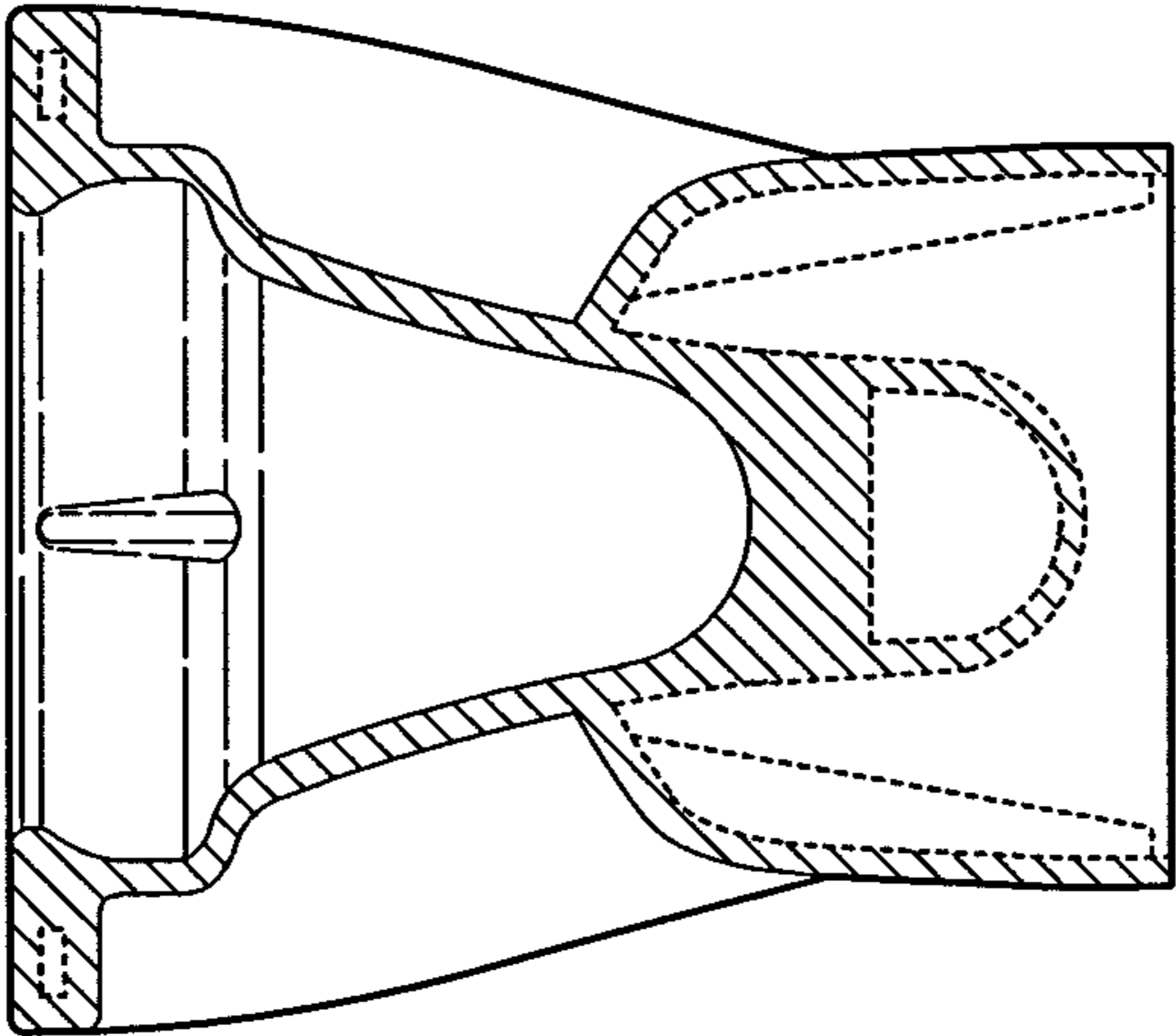


Fig. 10

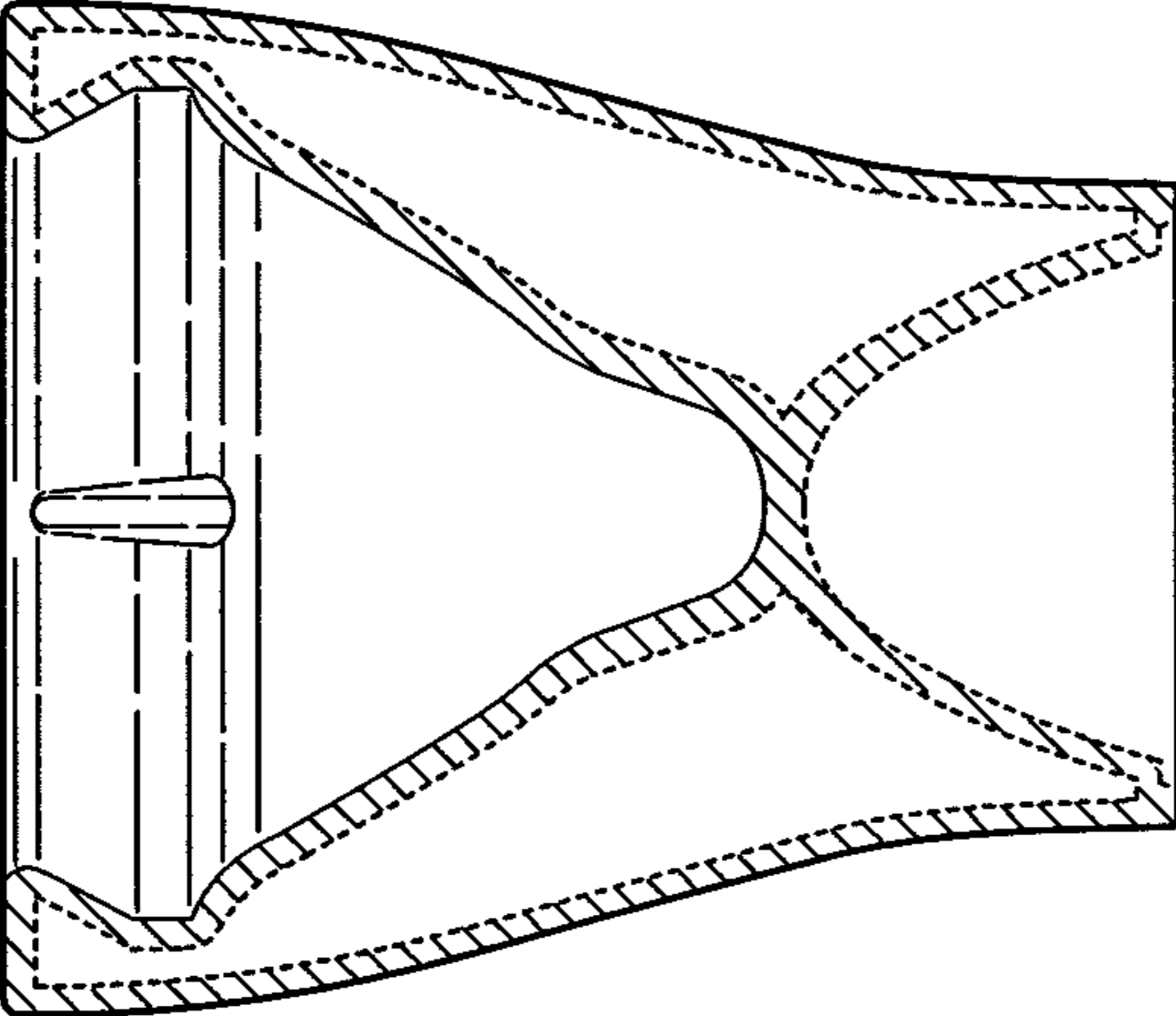


Fig. 11