



US00D969278S

(12) **United States Design Patent**
Golec

(10) **Patent No.:** **US D969,278 S**

(45) **Date of Patent:** **** Nov. 8, 2022**

(54) **TUB**

D868,221 S * 11/2019 Miura D23/277
11,304,872 B2 * 4/2022 Izumitani A47K 3/02

(71) Applicant: **Marcin Golec**, London (GB)

* cited by examiner

(72) Inventor: **Marcin Golec**, London (GB)

Primary Examiner — Robert A Delehanty

(**) Term: **15 Years**

(74) *Attorney, Agent, or Firm* — Mark M. Friedman

(21) Appl. No.: **29/751,322**

(57) **CLAIM**

The ornamental design for a tub, as shown and described.

(22) Filed: **Sep. 21, 2020**

DESCRIPTION

(51) **LOC (13) Cl.** **23-02**

FIG. 1 is a perspective rear view of a tub showing my new design;

(52) **U.S. Cl.**

FIG. 2 is a perspective front view thereof;

USPC **D23/277**; D24/204

FIG. 3 is a left-side view thereof;

(58) **Field of Classification Search**

USPC D23/275–277, 280.1, 303–306;
D24/204–205

FIG. 4 is a rear view thereof;

FIG. 5 is a front view thereof;

See application file for complete search history.

FIG. 6 is a top view thereof;

FIG. 7 is a bottom view thereof;

FIG. 8 is a right-side view thereof; and,

FIG. 9 is a cross-sectional view taken along line 9-9 of FIG.

6.

The broken lines shown in the figures illustrate portions of the tub that form no part of the claimed design.

(56) **References Cited**

U.S. PATENT DOCUMENTS

D615,633 S * 5/2010 Sauvageau D23/277
D784,499 S * 4/2017 Malinowska-Gebaska ... D23/277
D866,720 S * 11/2019 Miura D23/277

1 Claim, 9 Drawing Sheets

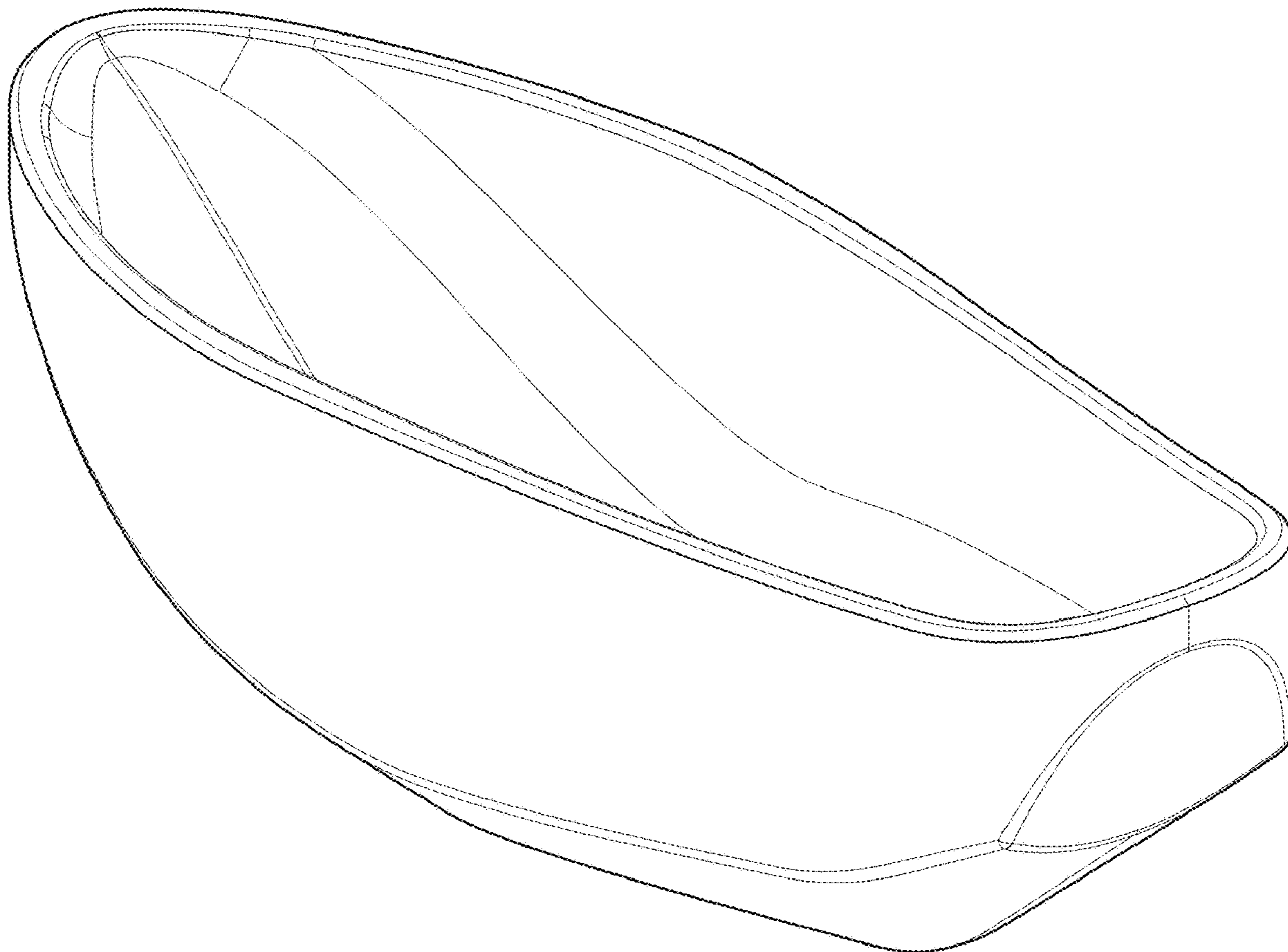




Fig. 1

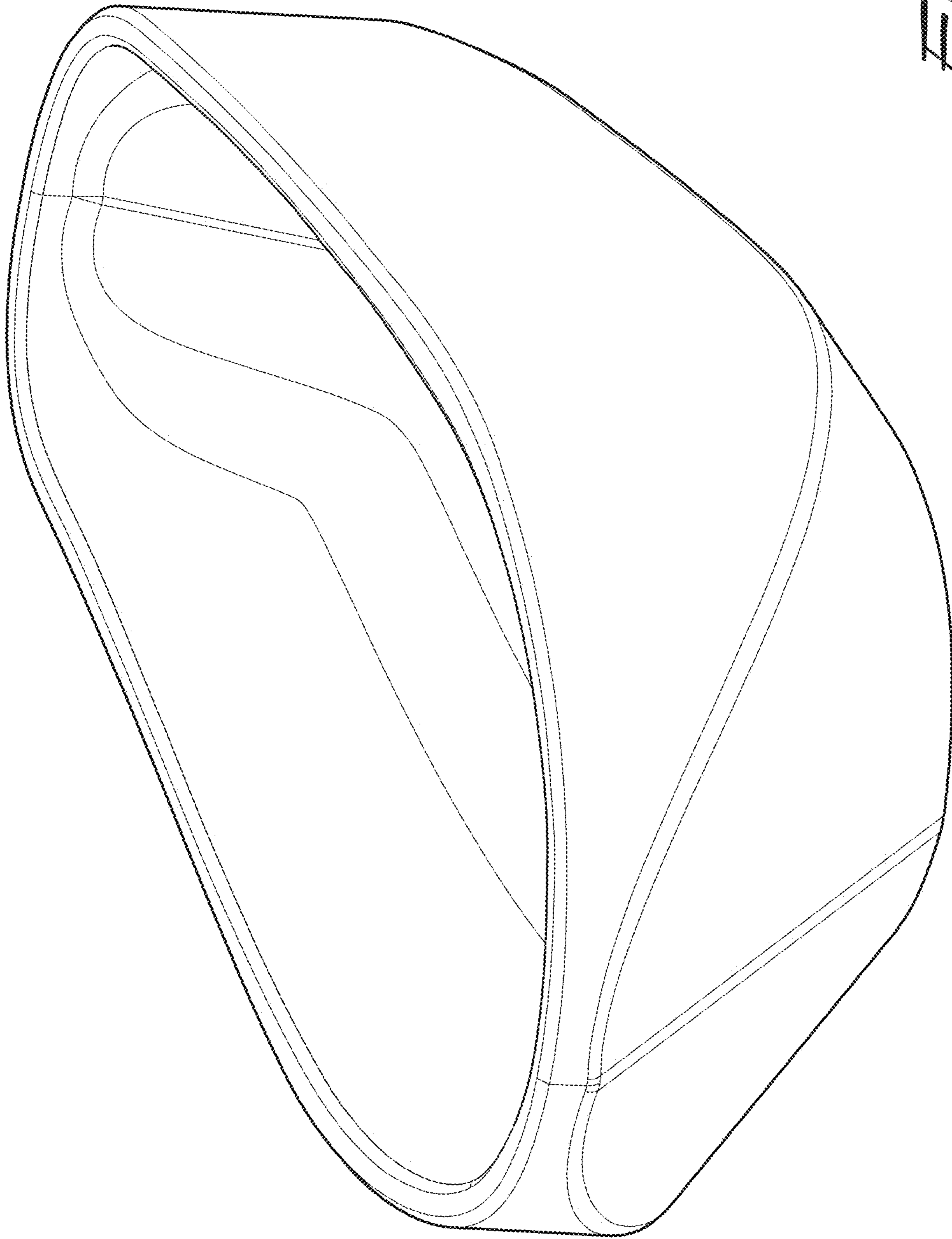


Fig. 2

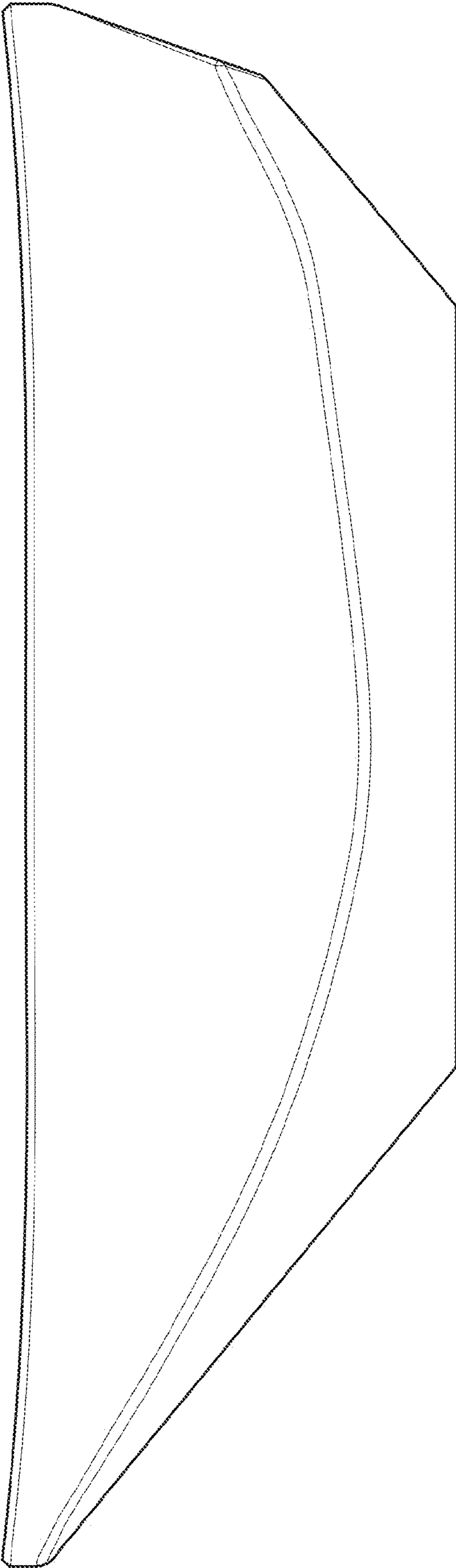


Fig. 3

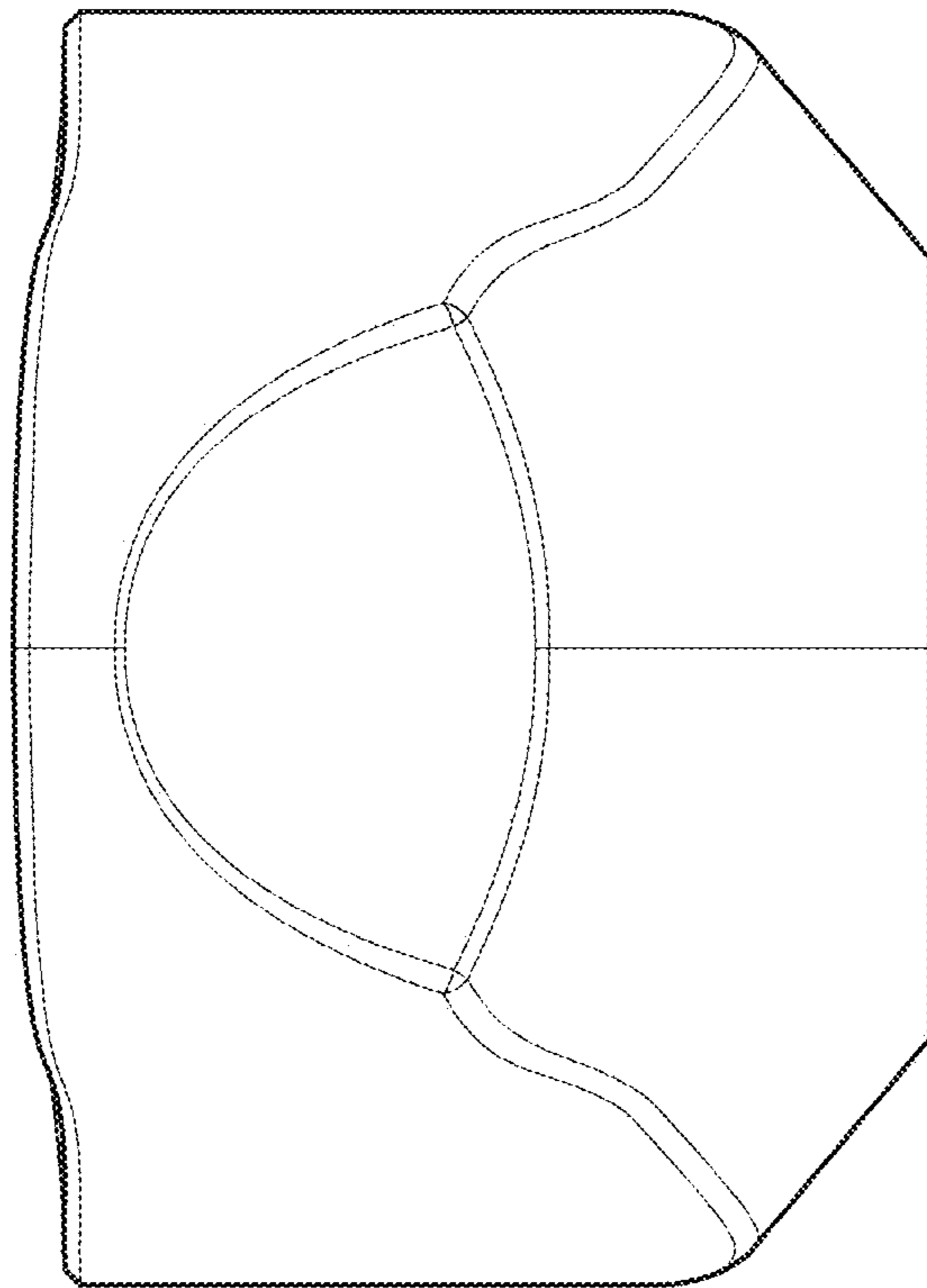


Fig. 4

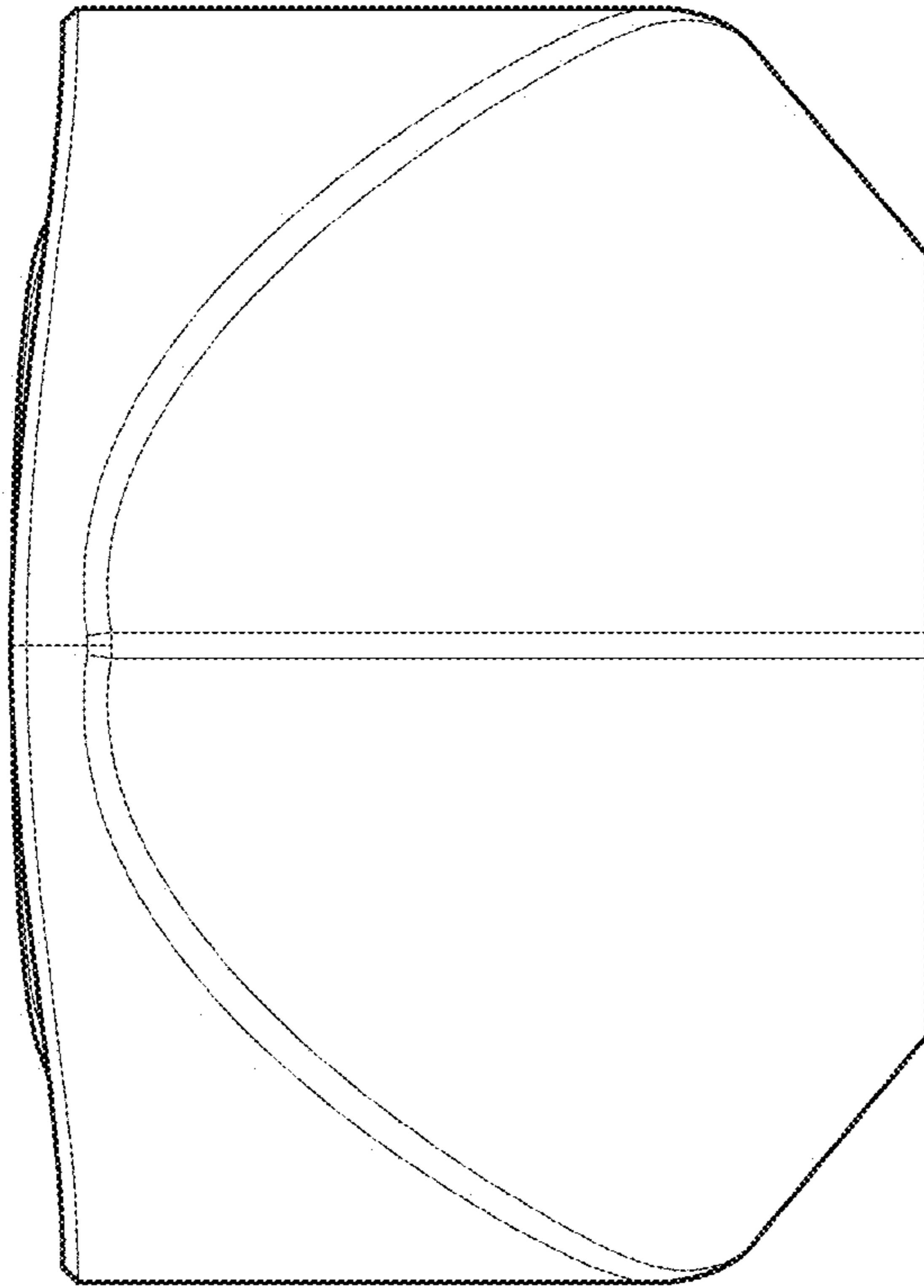


Fig. 5

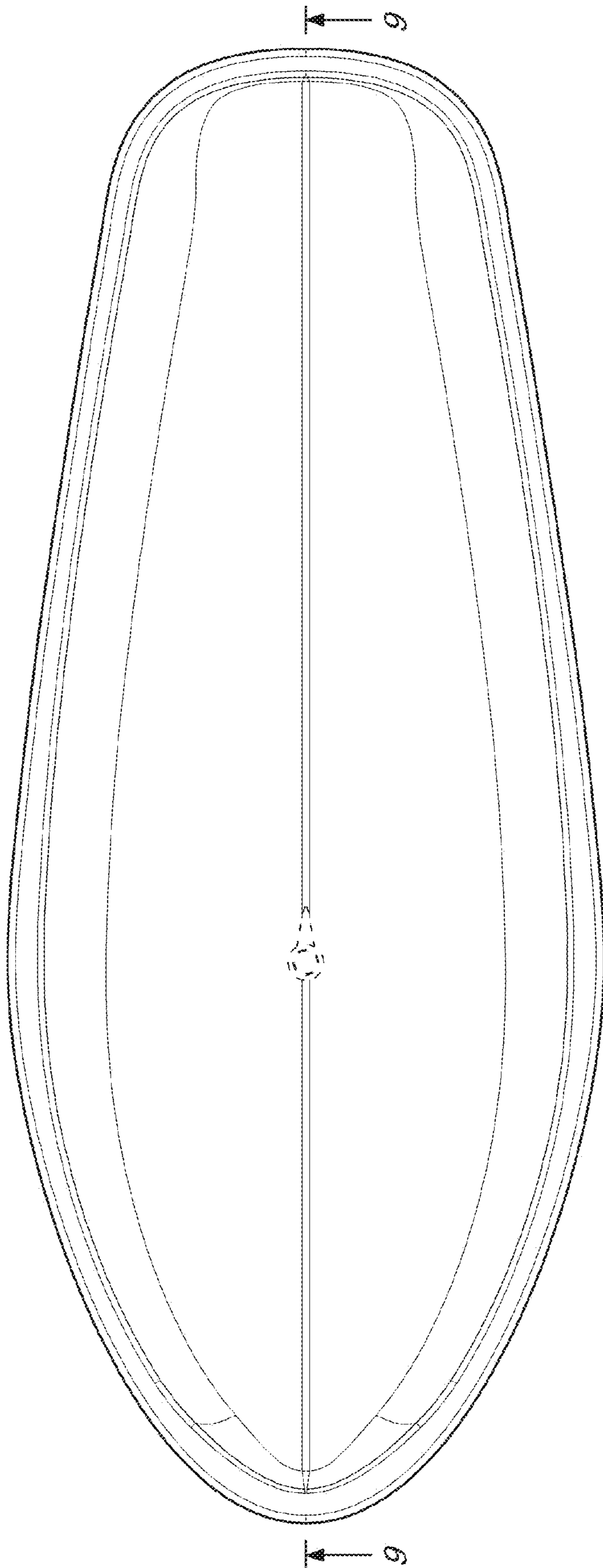


Fig. 6

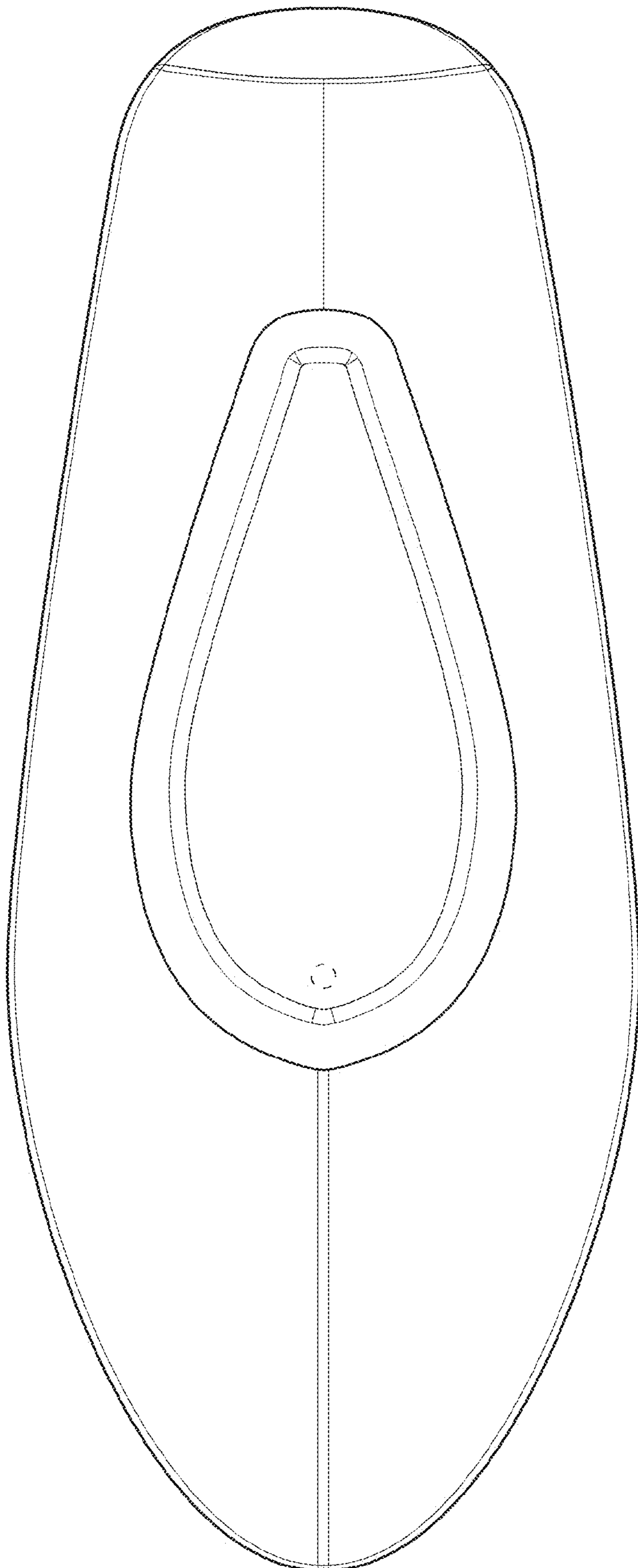


Fig. 7

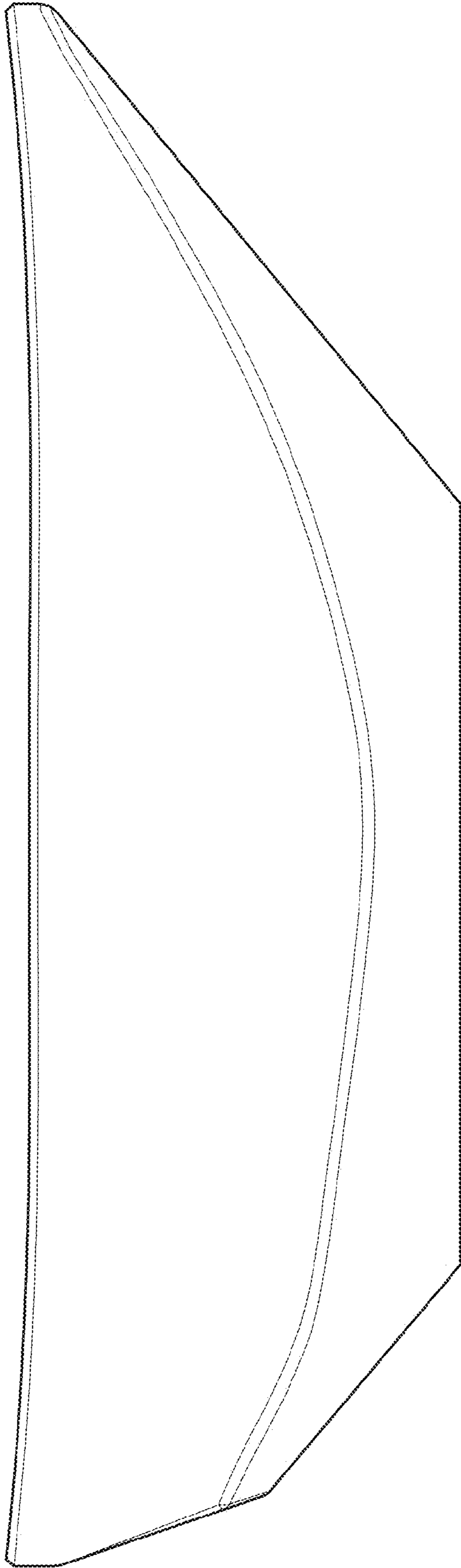


Fig. 8

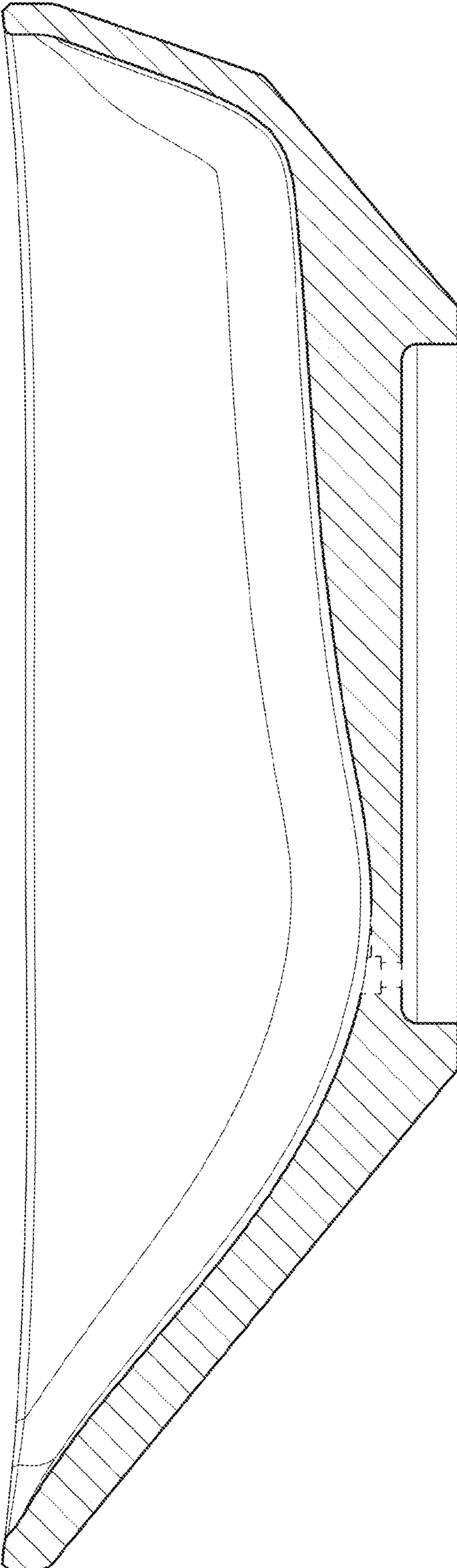


Fig. 9