

US00D969277S

(12) **United States Design Patent**
Chen

(10) **Patent No.:** **US D969,277 S**

(45) **Date of Patent:** **** Nov. 8, 2022**

(54) **BATHTUB PLUG**

(71) Applicant: **Xiaoshan Chen**, Shenzhen (CN)

(72) Inventor: **Xiaoshan Chen**, Shenzhen (CN)

(**) Term: **15 Years**

(21) Appl. No.: **29/811,873**

(22) Filed: **Oct. 18, 2021**

(51) **LOC (13) Cl.** **23-01**

(52) **U.S. Cl.**
USPC **D23/260**

(58) **Field of Classification Search**

USPC D23/259–261, 208–209, 303, 308;
D7/667; 4/290–295, 222.1, 286, 300.3,
4/583, 652

See application file for complete search history.

(56) **References Cited**

U.S. PATENT DOCUMENTS

2,196,785	A *	4/1940	El Takiguchi	B65D 39/007 220/DIG. 19
3,821,969	A *	7/1974	Sinko	F16L 55/1141 138/89
4,745,641	A *	5/1988	Tash	E03C 1/308 4/255.11
D362,048	S *	9/1995	Lang	D23/262
7,490,629	B2 *	2/2009	Williams	F16L 55/1141 220/254.1
D591,405	S	4/2009	Pogrebinsky	
D617,427	S *	6/2010	McNamara	D23/261
D724,700	S *	3/2015	Dailey	D23/260
9,908,665	B2 *	3/2018	Garcia	B65D 39/04
D844,117	S *	3/2019	Kennison	D23/260
D858,718	S *	9/2019	Najimi	D23/260
D867,551	S *	11/2019	Xiang	D23/261
D905,206	S *	12/2020	Colacino	D23/261
D921,165	S *	6/2021	Chen	D23/260
D921,851	S *	6/2021	Ning	D23/260
D941,440	S *	1/2022	Lu	D23/260
D956,186	S *	6/2022	Ma	D23/260

OTHER PUBLICATIONS

Canray Bath Tub Plug Stopper; Date First Available Jun. 12, 2022;
Visited Online 9/114/22; <https://www.amazon.com/dp/B0B1835X5W/>

ref=sspa_dk_detail_4?pd_rd_i=B0B1835X5W&pd_rd_w=rul3Q
&content-id=amzn1.sym.46bad5f6-1f0a-4167-9a8b-c8a82fa48a54
&pf_rd_p=46bad5f6-1f0a-4167-9a8b-c8a82fa48a54&pf_rd_r=
HNYZ9GTNM1d54b33d5b71a&s=home- garden&sp_csd=
d2lkZ2V0TmFtZT1zcF9kZXRhaWw&spLa=ZW5jcnlwdGVkUXV
hbGlmaWVyPUEzTUg1SUJUTzdWRFdEJmVuY3J5cHRIZEikPU
EwNDI1NDczMVBVUDdMV05FN0hNNiZlbnNyeXB0ZWRBZ
EikPUEwNzcyODExM0dQM1hXMkMwVUFYMSZ3aWRnZXR
OYW1IPXNwX2RldGFpbCZhY3Rpb249Y2xpY2tSZ
WRpcmVjdCZkb05vdExvZ0NsaWNrP (Year: 2022).
Lnrkai Bathtub Stopper Universal Tub Stopper; Date First Available
Nov. 27, 2021; Visited Online Sep. 14, 2022; https://www.amazon.com/Bathtub-Universal-Silicone-Stoppers-Bathroom/dp/B09MN6TGPB/ref=asc_df_B09MN6TGPB/?tag=hyprod-20&linkCode=df0&hvadid=563662500877&hvpos=&hvnetw=g&hvrnd=2582628546831570650&hvpone=&hvptwo=&hvqmt=&hvdev=c&hvdcmld=&hvlocint=&hvlocphy=9008192&hvtargid=pla-1595288844479&th=1 (Year: 2021).*

* cited by examiner

Primary Examiner — Amy C Wierenga

(57) **CLAIM**

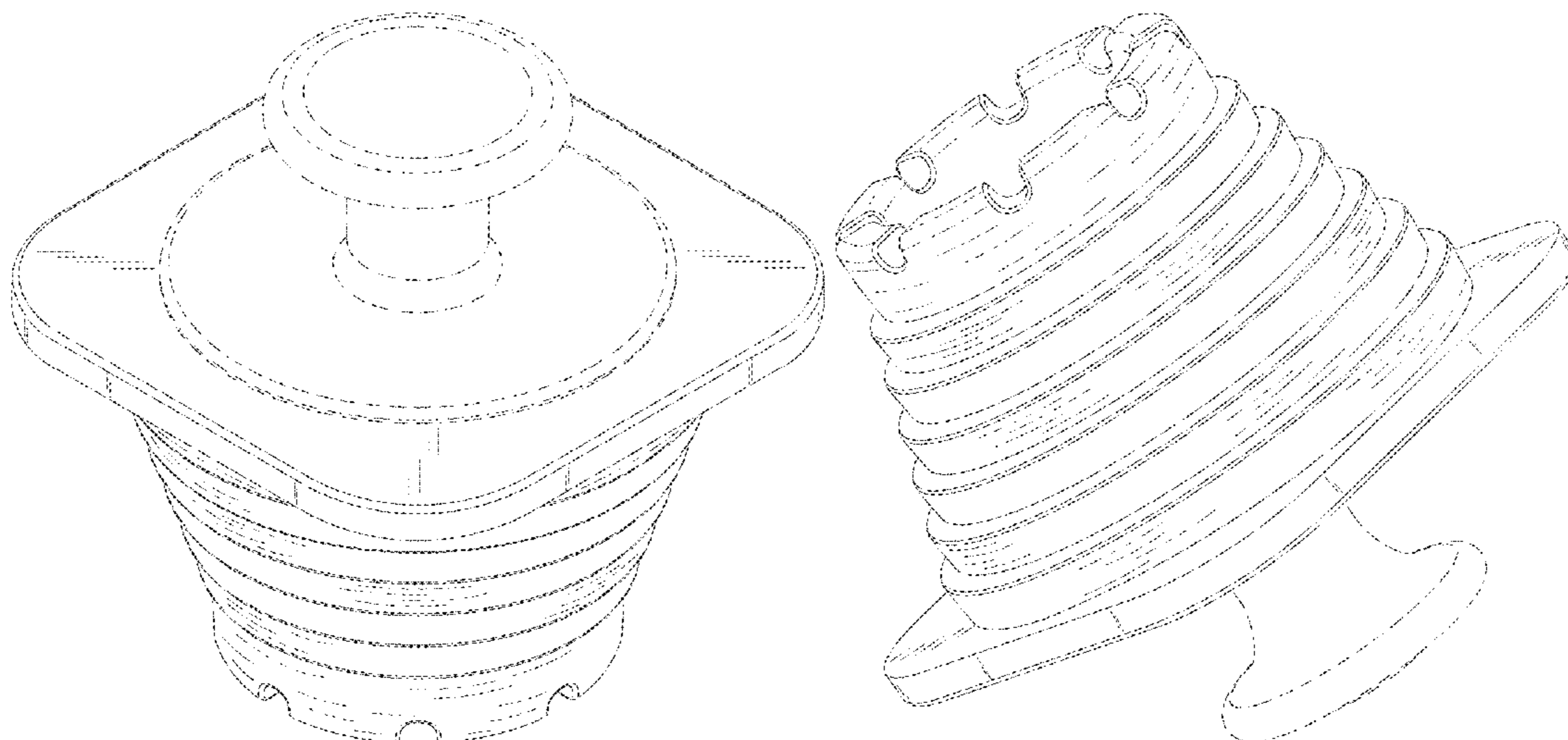
The ornamental design for a bathtub plug, substantially as shown and described.

DESCRIPTION

FIG. 1 is a top, front aid right side perspective view of a bathtub plug, showing my new design;
FIG. 2 is bottom, rear and left side perspective view;
FIG. 3 is a front elevational view thereof;
FIG. 4 is a top plan view thereof;
FIG. 5 is a bottom plan view thereof; and,
FIG. 6 is a cross-sectional view taken from line 6-6 of FIG. 4.

The broken lines in the drawings illustrate the portions of the bathtub plug, which form no part of the claimed design.

1 Claim, 6 Drawing Sheets



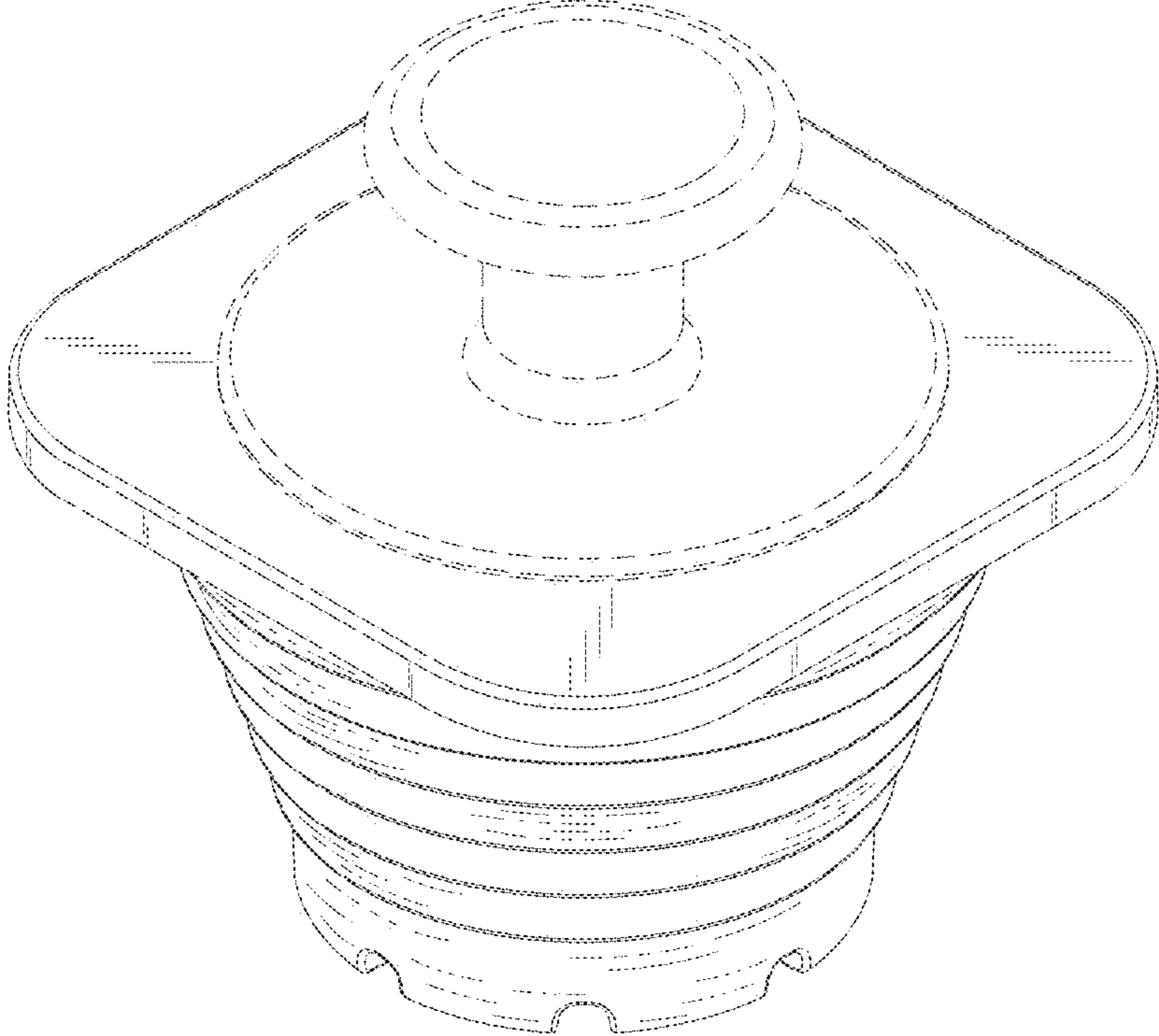


FIG.1

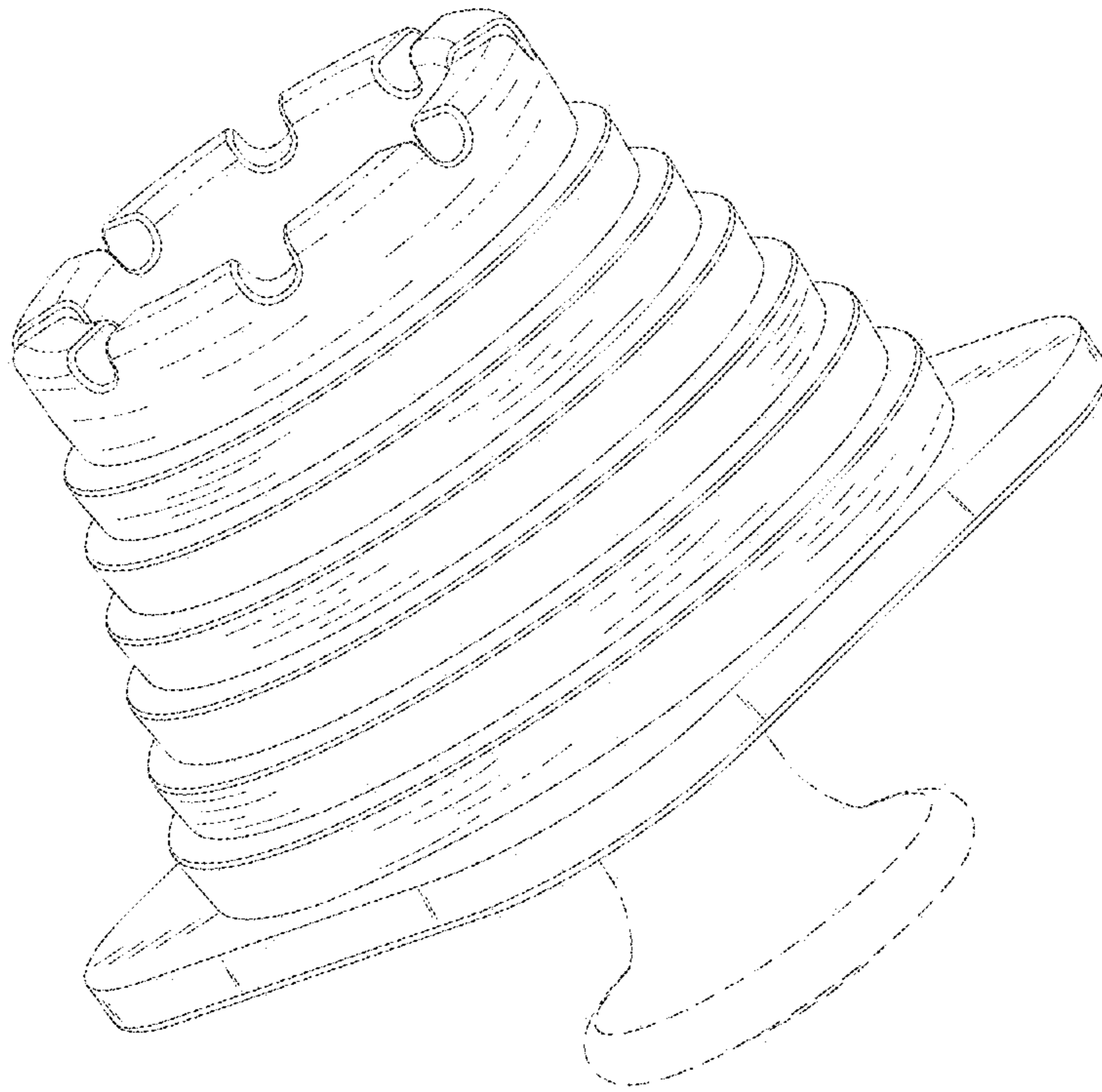


FIG.2

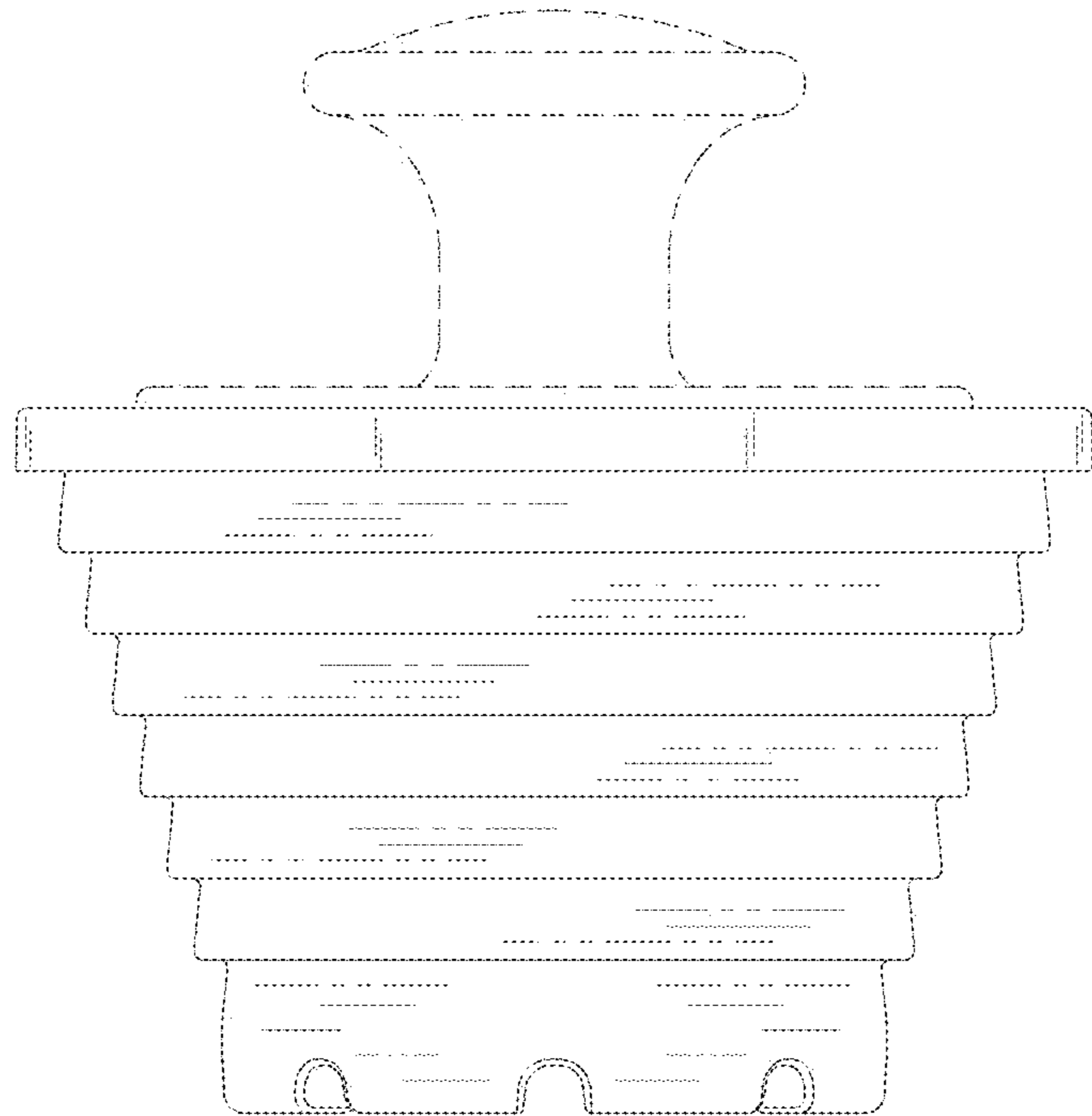


FIG.3

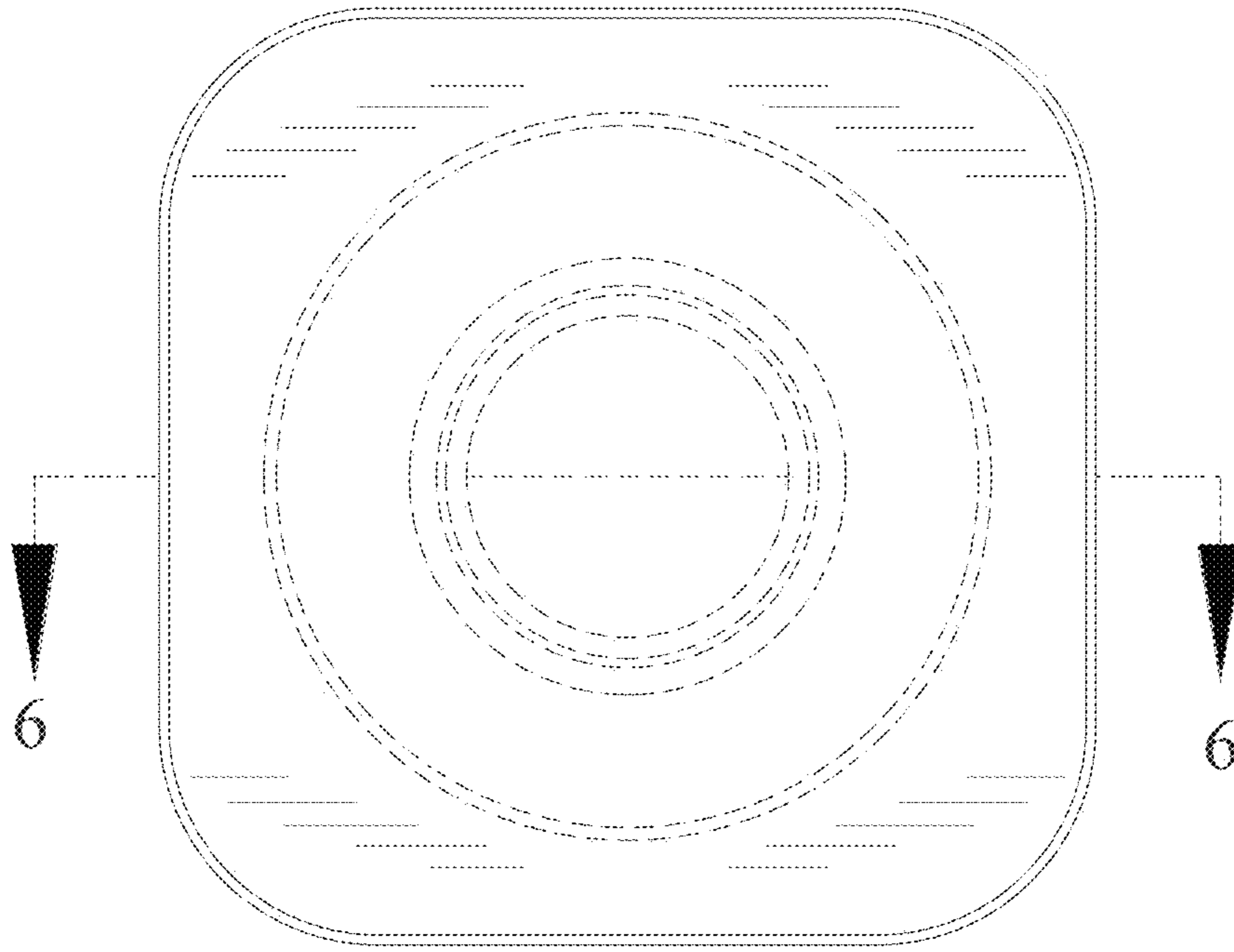


FIG.4

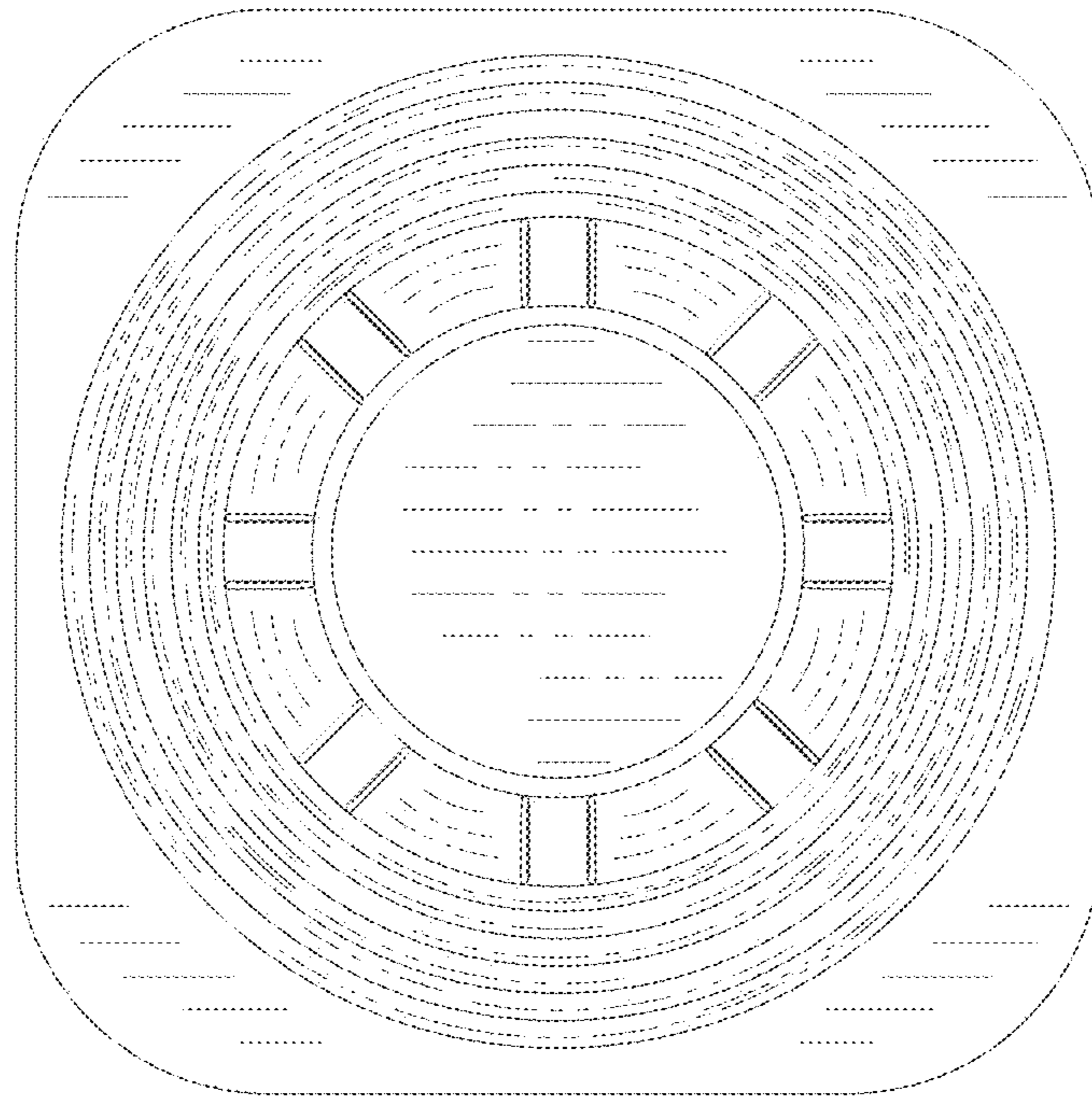


FIG.5

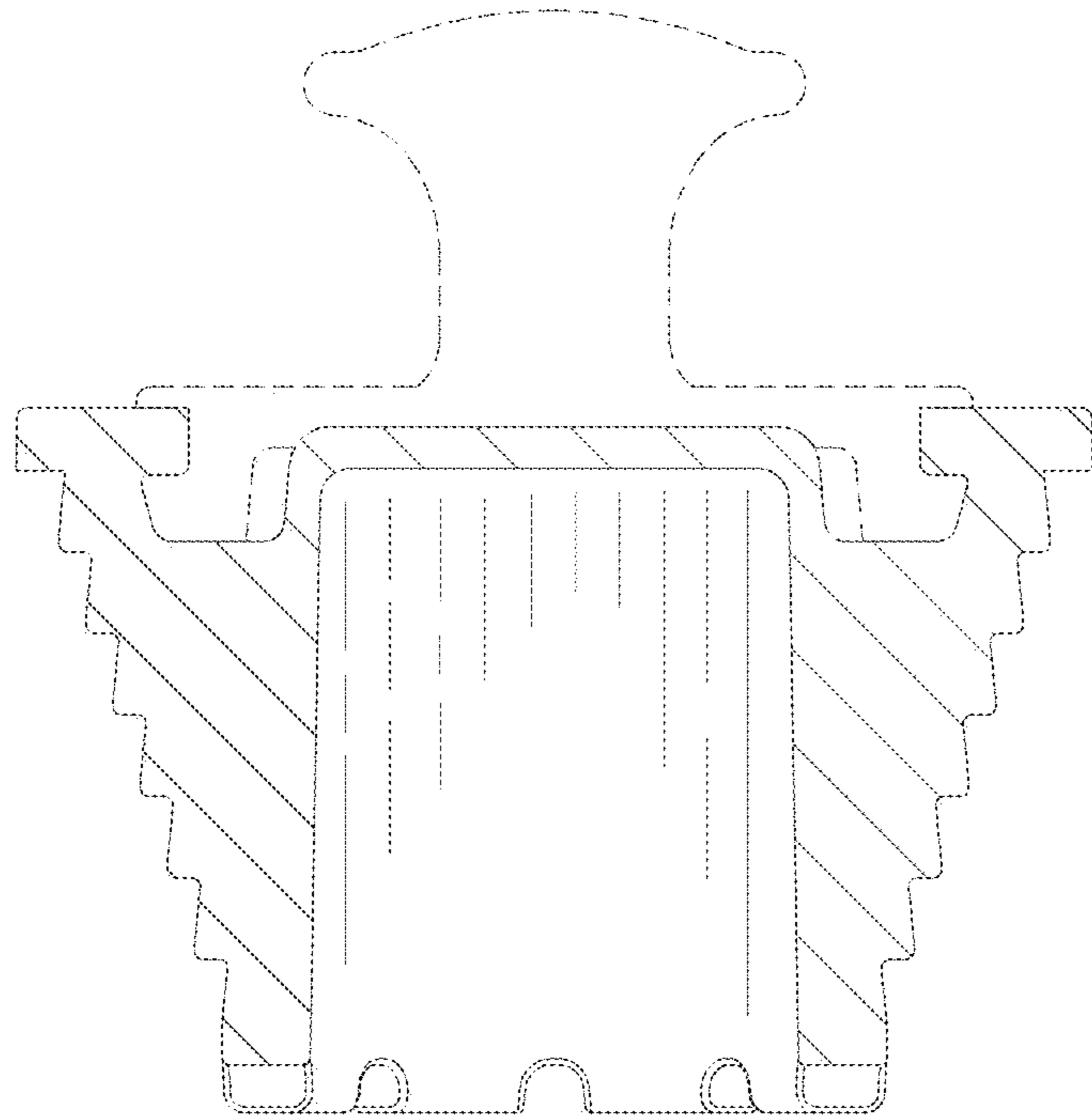


FIG.6