

US00D969275S

(12) **United States Design Patent** (10) **Patent No.:** **US D969,275 S**  
**Barber et al.** (45) **Date of Patent:** **\*\* Nov. 8, 2022**

(54) **FAUCET**  
(71) Applicant: **HANSGROHE SE**, Schiltach (DE)  
(72) Inventors: **Edward Barber**, London (GB); **Jay Osgerby**, London (GB)  
(73) Assignee: **Hansgrohe SE**, Schiltach (DE)  
(\*\*) Term: **15 Years**

D844,110 S \* 3/2019 Soulier ..... D23/238  
D846,083 S \* 4/2019 Garland ..... D23/255  
D858,707 S \* 9/2019 Soulier ..... D23/238  
D860,396 S \* 9/2019 Seum ..... D23/238  
D902,358 S \* 11/2020 Garland ..... D23/255  
D913,431 S \* 3/2021 Seum ..... D23/238  
D913,447 S \* 3/2021 Seum ..... D23/239  
D914,160 S \* 3/2021 Seum ..... D23/255

(Continued)

(21) Appl. No.: **29/771,839**  
(22) Filed: **Feb. 25, 2021**  
(51) **LOC (13) Cl.** ..... **23-01**  
(52) **U.S. Cl.**  
USPC ..... **D23/238**  
(58) **Field of Classification Search**  
USPC ..... D23/238, 239, 240, 241, 242, 243, 246,  
D23/247, 249, 250, 251, 252, 253, 254,  
D23/255, 256, 257  
CPC ..... E03C 1/01; E03C 1/0409; E03C 1/025;  
E03C 1/0408; E03C 1/04; E03C 1/0401;  
E03C 1/0402; E03C 1/0405; E03C  
1/0412; Y10T 137/5339; Y10T 137/6014;  
Y10T 137/6021  
See application file for complete search history.

**FOREIGN PATENT DOCUMENTS**

CN 301978169 7/2012  
CN 303951335 11/2016

(Continued)

**OTHER PUBLICATIONS**

Amazon, MIMOSSA Kitchen Mixer Tap Pull Down Sprayer, posted Apr. 17, 2022, [online], [visited Jun. 14, 2022]. Internet, <URL: <https://www.amazon.co.uk/dp/B09Y4QLPCC/ref>> (Year: 2022).\*

(Continued)

*Primary Examiner* — Samantha Wood  
(74) *Attorney, Agent, or Firm* — Lora J. Graentzdoerffer

(57) **CLAIM**

The ornamental design for a faucet, as shown and described.

**DESCRIPTION**

FIG. 1 is a perspective view of a faucet showing our design; FIG. 2 is a front elevational view; FIG. 3 is a rear elevational view; FIG. 4 is a side elevational view; FIG. 5 is a side elevational view; FIG. 6 is a top plan view; and, FIG. 7 is a bottom plan view.

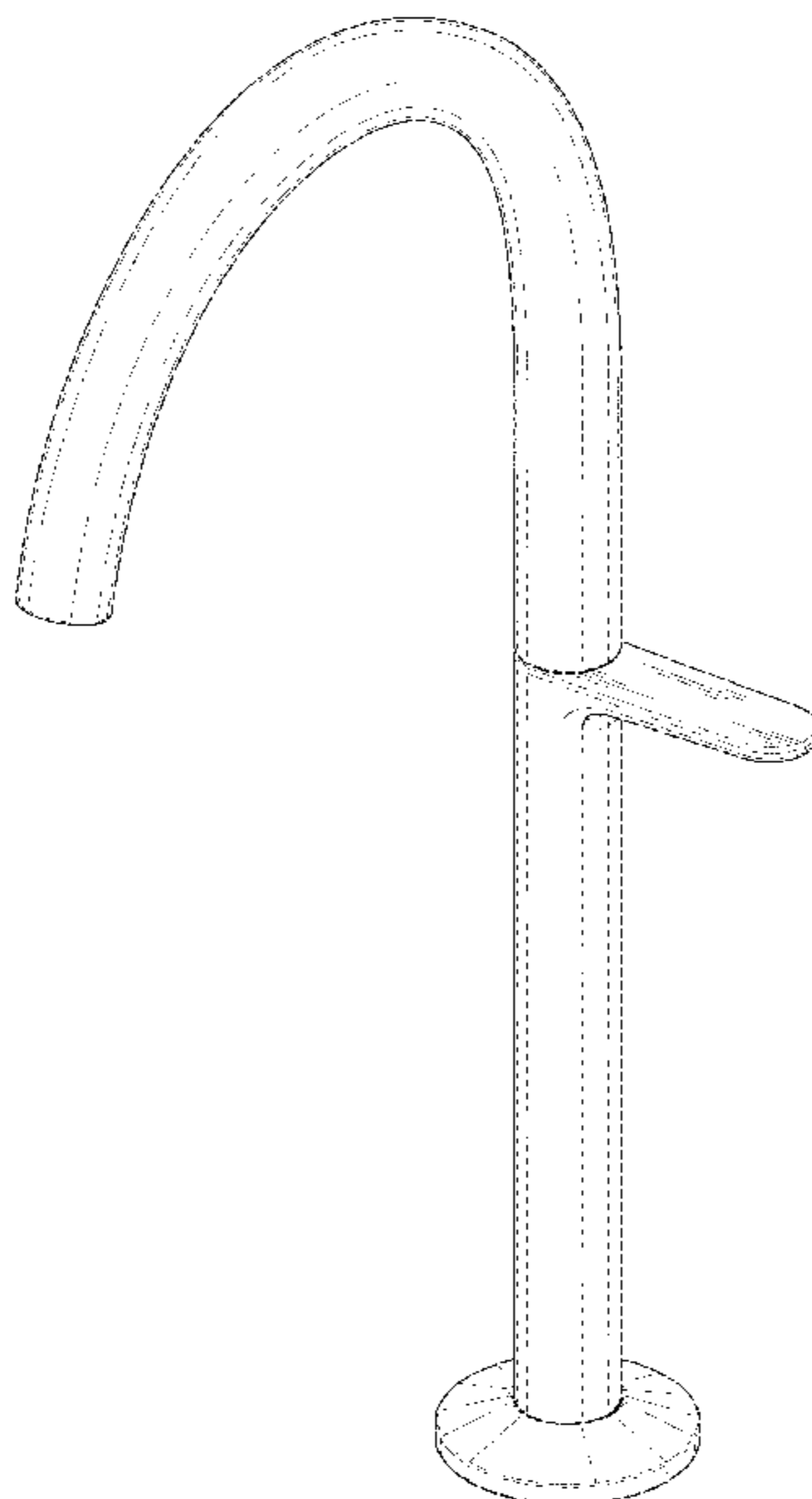
The broken-line disclosures in the drawings represent portions of a faucet that form no part of the claimed design.

**1 Claim, 7 Drawing Sheets**

(56) **References Cited**

**U.S. PATENT DOCUMENTS**

D376,413 S \* 12/1996 Kergoet ..... D23/238  
D559,360 S \* 1/2008 Burrows ..... D23/238  
D568,443 S \* 5/2008 Urquiola ..... D23/240  
D576,256 S \* 9/2008 Urquiola ..... D23/240  
D578,612 S \* 10/2008 Burrows ..... D23/238  
D594,092 S \* 6/2009 Carlsson ..... D23/238  
D605,261 S \* 12/2009 Allard ..... D23/255  
D612,457 S \* 3/2010 Allard ..... D23/255  
D698,903 S \* 2/2014 Gilbert ..... D23/249  
D741,453 S \* 10/2015 Bahler ..... D23/242



(56)

**References Cited**

U.S. PATENT DOCUMENTS

D931,984 S \* 9/2021 Zhen ..... D23/238  
D933,169 S \* 10/2021 Lazarini ..... D23/255  
2018/0313069 A1\* 11/2018 Cipriani ..... E03C 1/0404  
2019/0220045 A1\* 7/2019 Huang ..... E03C 1/0412  
2020/0024837 A1\* 1/2020 Wales ..... G05D 23/1306  
2020/0217052 A1\* 7/2020 Li ..... E03C 1/0403

FOREIGN PATENT DOCUMENTS

CN 305204502 6/2019  
CN 305204503 6/2019  
CN 305237444 6/2019  
EM 002019190-0001 4/2012

OTHER PUBLICATIONS

Amazon, TRUSTMI Brass Single Lever Kitchen Sink Tap, posted Oct. 14, 2017, [online], [visited Jun. 14, 2022]. Internet, <URL: <https://www.amazon.co.uk/dp/B076GN48KD/ref>> (Year: 2017).\*

\* cited by examiner

FIG. 1

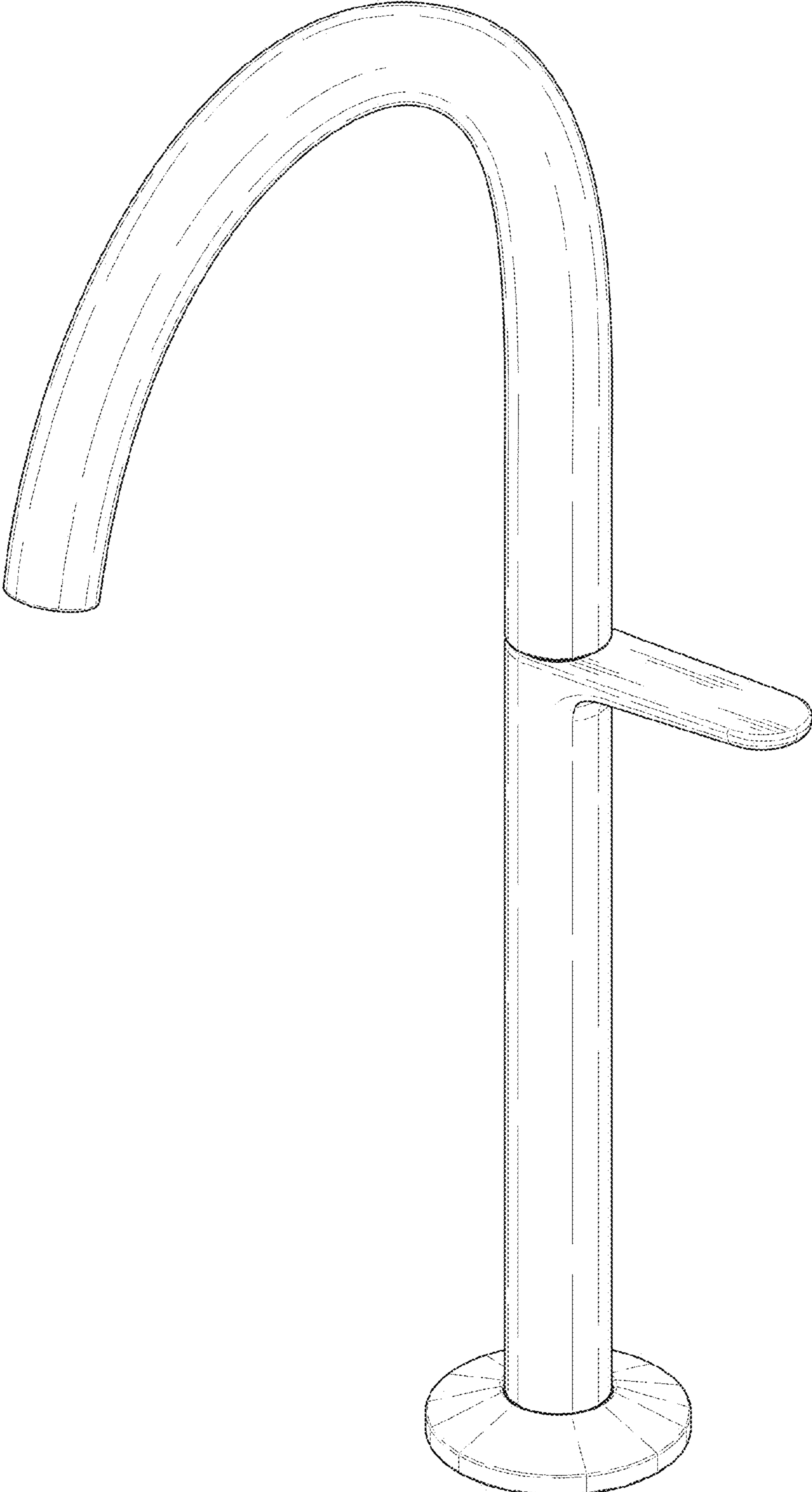


FIG. 2

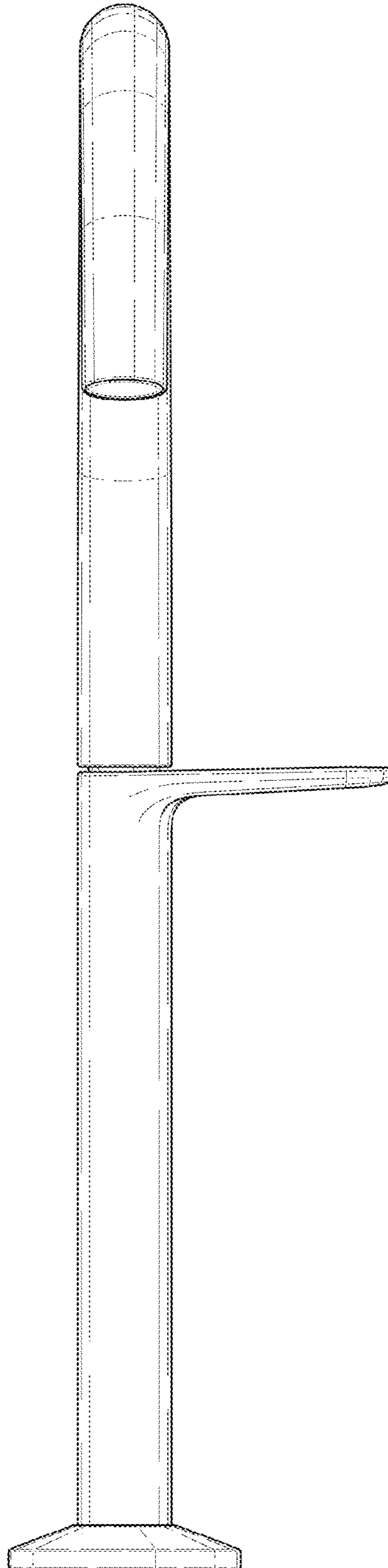


FIG. 3

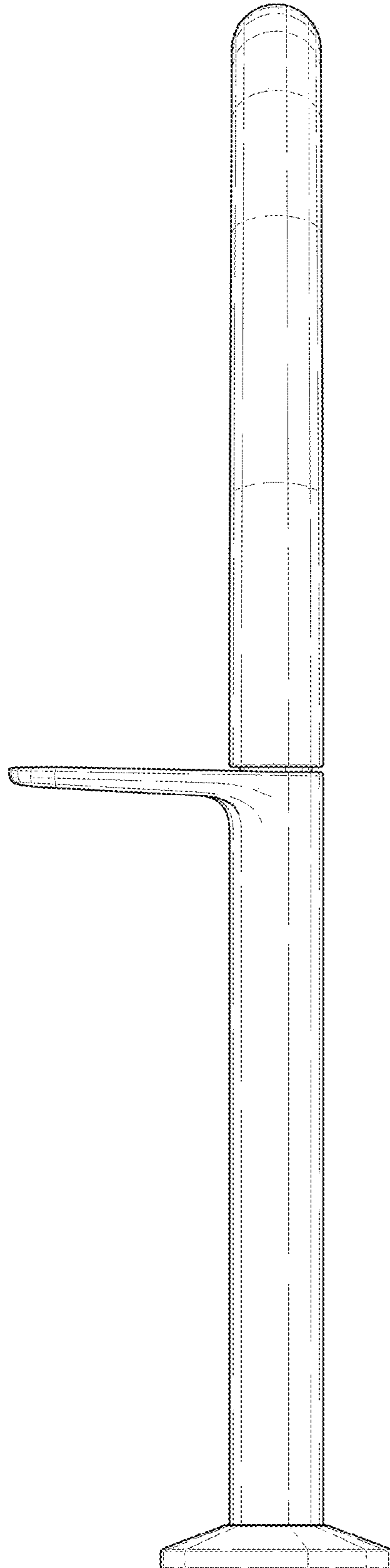


FIG. 4

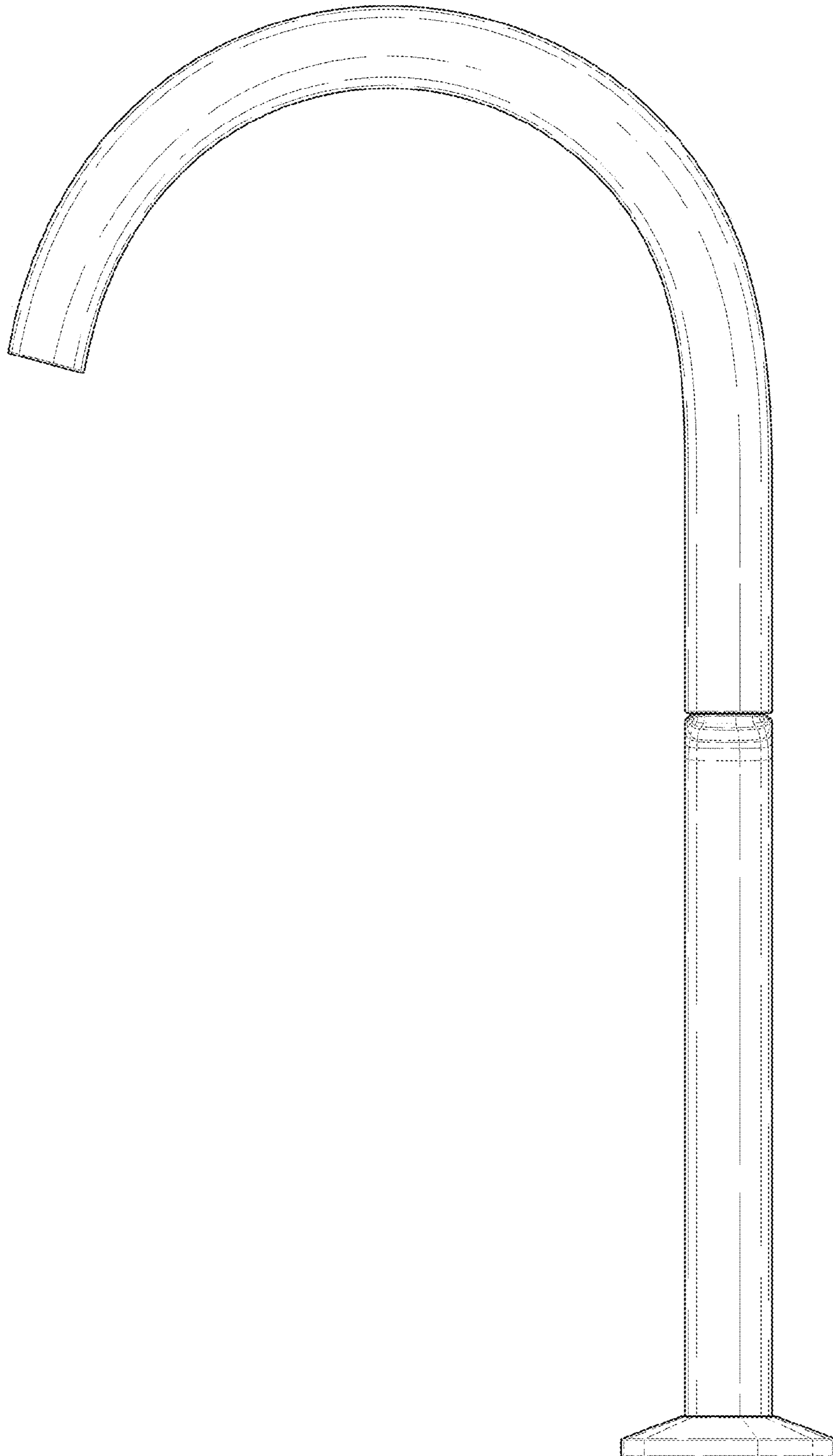


FIG. 5

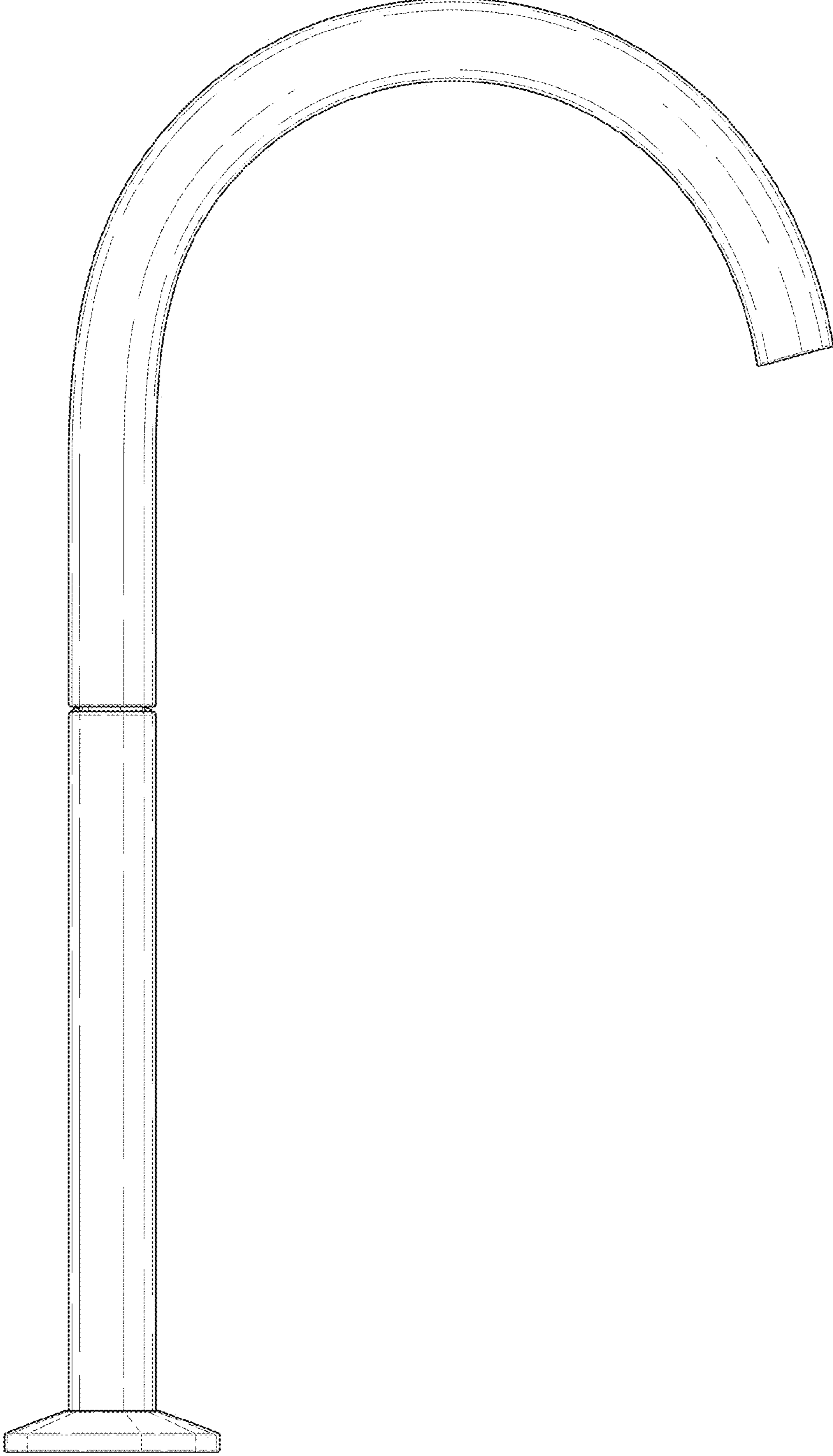


FIG. 6

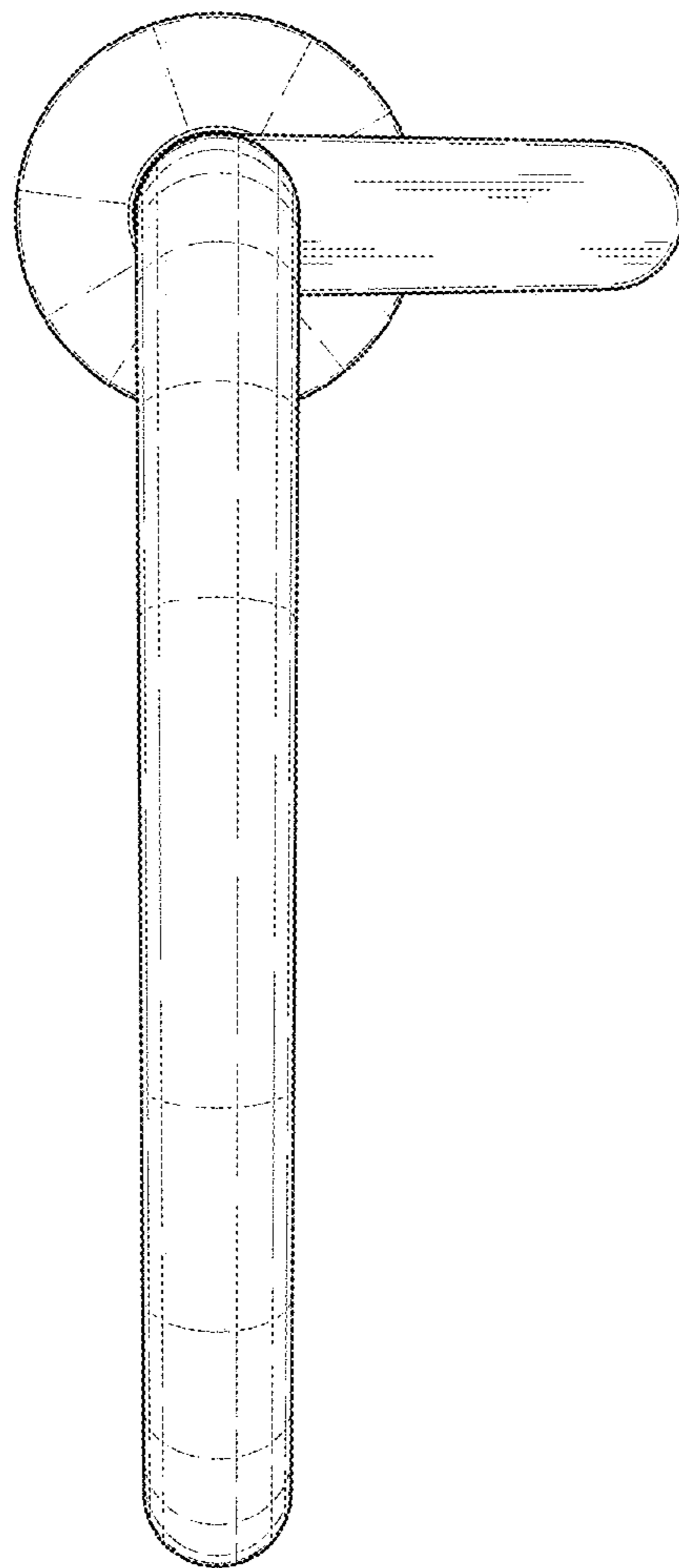




FIG. 7

