



US00D969274S

(12) **United States Design Patent**  
**Han et al.**

(10) **Patent No.:** **US D969,274 S**

(45) **Date of Patent:** **\*\* Nov. 8, 2022**

(54) **FAUCET**

(71) Applicant: **Grohe AG**, Hemer (DE)

(72) Inventors: **Jung-Beom Han**, Duesseldorf (DE);  
**Patrick de Arins Speck**, London (GB)

(73) Assignee: **Grohe AG**, Hemer (DE)

(\*\*) Term: **15 Years**

(21) Appl. No.: **29/757,886**

(22) Filed: **Nov. 10, 2020**

(30) **Foreign Application Priority Data**

May 11, 2020 (EM) ..... 007880760-0011

(51) **LOC (13) Cl.** ..... **23-01**

(52) **U.S. Cl.**  
USPC ..... **D23/238**

(58) **Field of Classification Search**  
USPC ..... D23/238, 239, 240, 241, 242, 243, 246,  
D23/247, 249, 250, 251, 252, 253, 254,  
D23/255, 256, 257

CPC ..... E03C 1/00; E03C 1/01; E03C 1/02; E03C  
1/023; E03C 1/04; E03C 1/0401; E03C  
1/0403; E03C 1/0404; E03C 1/0412;  
E03C 1/05; E03C 1/042; F16K 31/60

See application file for complete search history.

(56) **References Cited**

**U.S. PATENT DOCUMENTS**

D324,412 S \* 3/1992 Bonnell ..... D8/308  
D408,502 S \* 4/1999 Lobermeier ..... D23/238  
D409,284 S \* 5/1999 Gottwald ..... D23/238  
D409,727 S \* 5/1999 Lobermeier ..... D23/238  
D415,562 S \* 10/1999 Lobermeier ..... D23/243  
D437,632 S \* 2/2001 Fleischmann ..... D23/254  
D438,598 S \* 3/2001 Fleischmann ..... D23/238

D444,211 S \* 6/2001 Mullenmeister ..... D23/238  
D529,993 S \* 10/2006 Funck ..... D23/238  
D566,235 S \* 4/2008 Heck ..... D23/249  
D580,525 S \* 11/2008 Citterio ..... D23/254  
D647,599 S \* 10/2011 Liao ..... D23/238  
D671,195 S \* 11/2012 Huang ..... D23/252  
D685,061 S \* 6/2013 Yu ..... D23/238  
D740,395 S \* 10/2015 Flowers ..... D23/254  
D740,919 S \* 10/2015 Flowers ..... D23/252  
D819,184 S \* 5/2018 Seum ..... D23/254  
D865,132 S \* 10/2019 Hoogendoorn ..... D23/254  
D939,056 S \* 12/2021 Diefenbach ..... D23/254  
D946,126 S \* 3/2022 Seum ..... D23/257

**FOREIGN PATENT DOCUMENTS**

CN 201530124456 \* 4/2015  
CN 201930570519.7 \* 10/2019  
CN 202030633424.8 \* 10/2020

\* cited by examiner

*Primary Examiner* — Samantha Wood

(74) *Attorney, Agent, or Firm* — Muncy, Geissler, Olds & Lowe, P.C.

(57) **CLAIM**

The ornamental design for a faucet, as shown and described.

**DESCRIPTION**

FIG. 1 is a front perspective view of a faucet according to the present invention.

FIG. 2 is a front view of the faucet of FIG. 1.

FIG. 3 is a rear view of the faucet of FIG. 1.

FIG. 4 is a left side view of the faucet of FIG. 1.

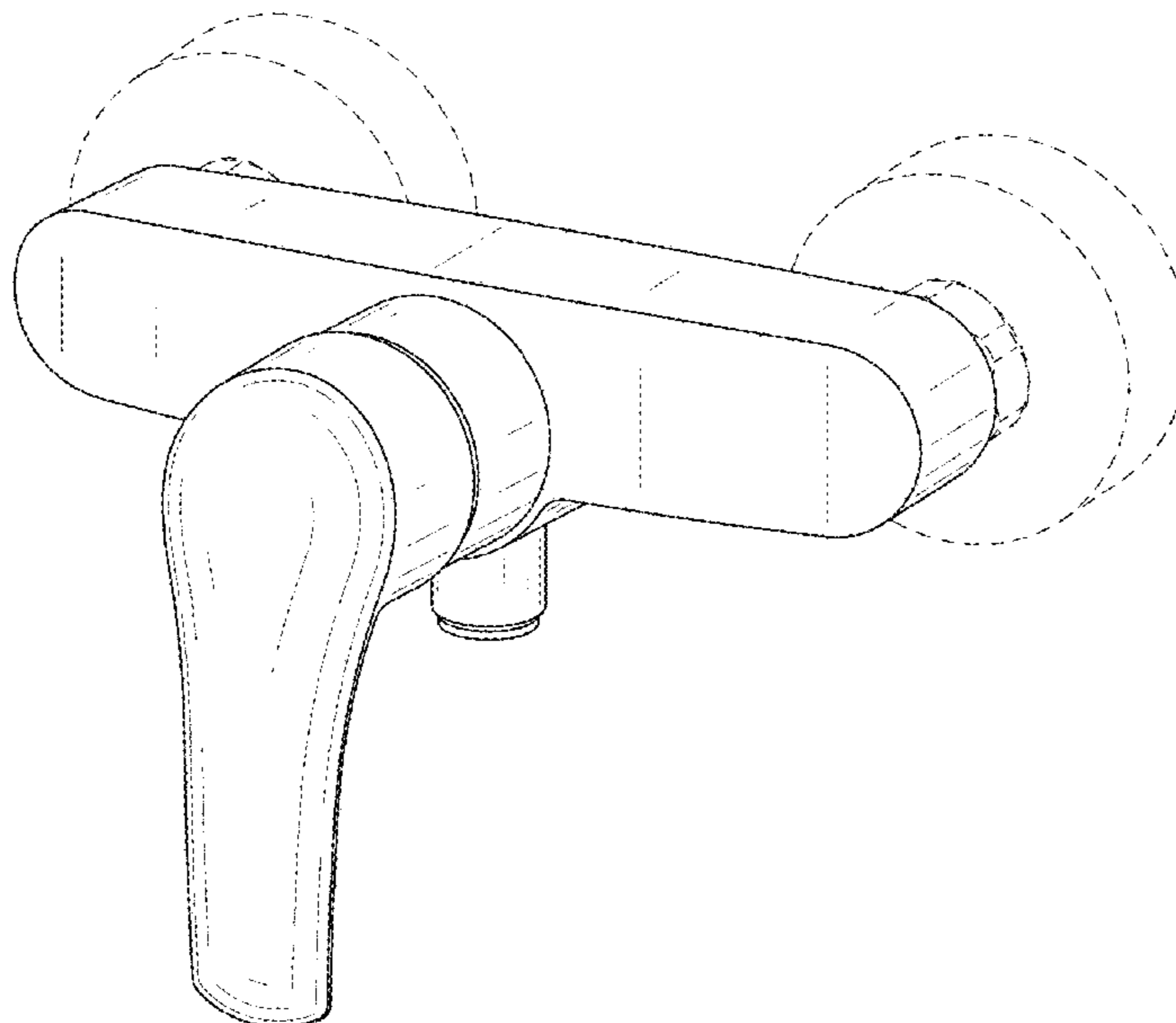
FIG. 5 is a right side view of the faucet of FIG. 1.

FIG. 6 is a top view of the faucet of FIG. 1; and,

FIG. 7 is a bottom view of the faucet of FIG. 1.

The broken lines are included for the purpose of illustrating portions of the article and form no part of the claimed design.

**1 Claim, 7 Drawing Sheets**



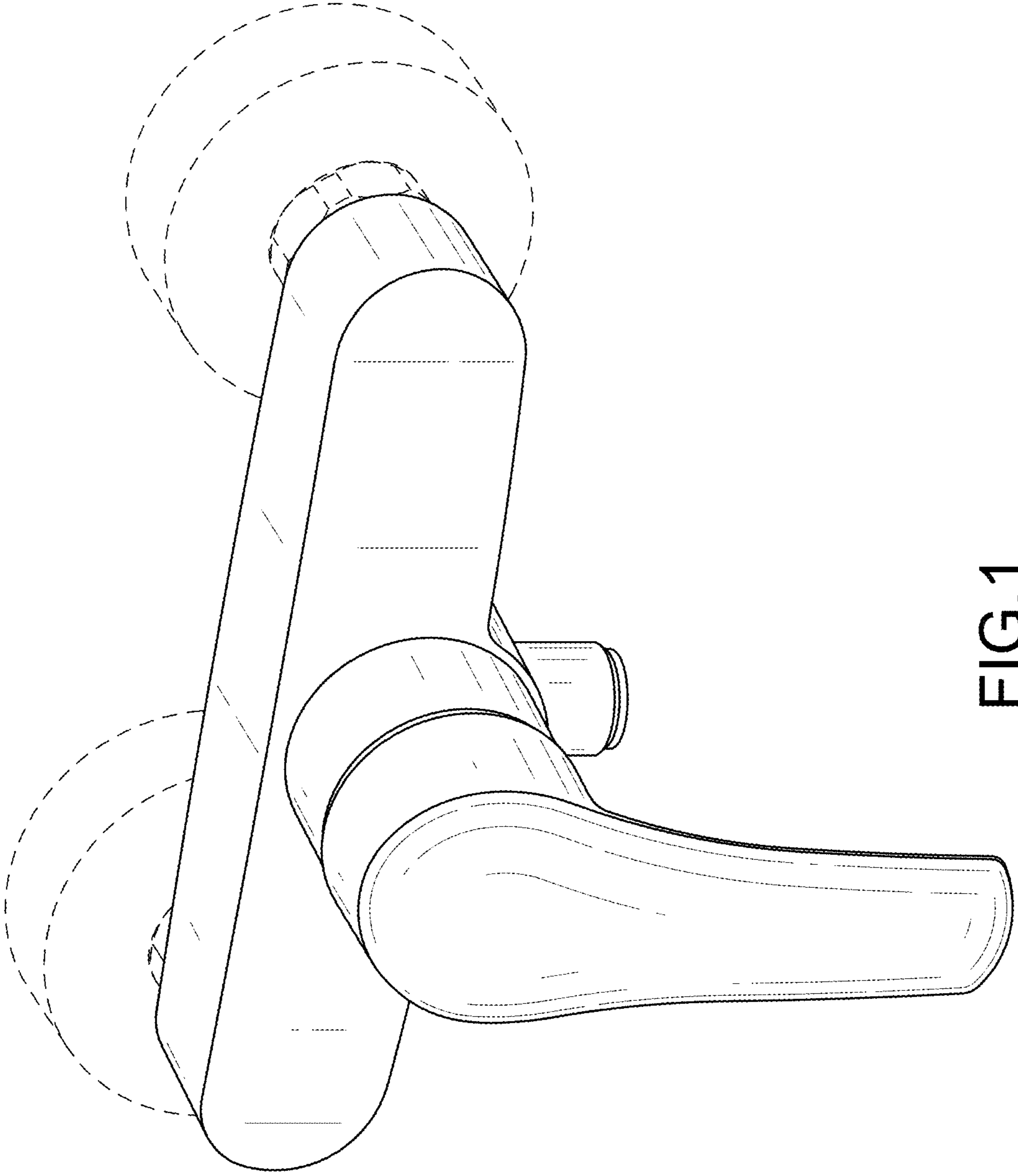


FIG.1

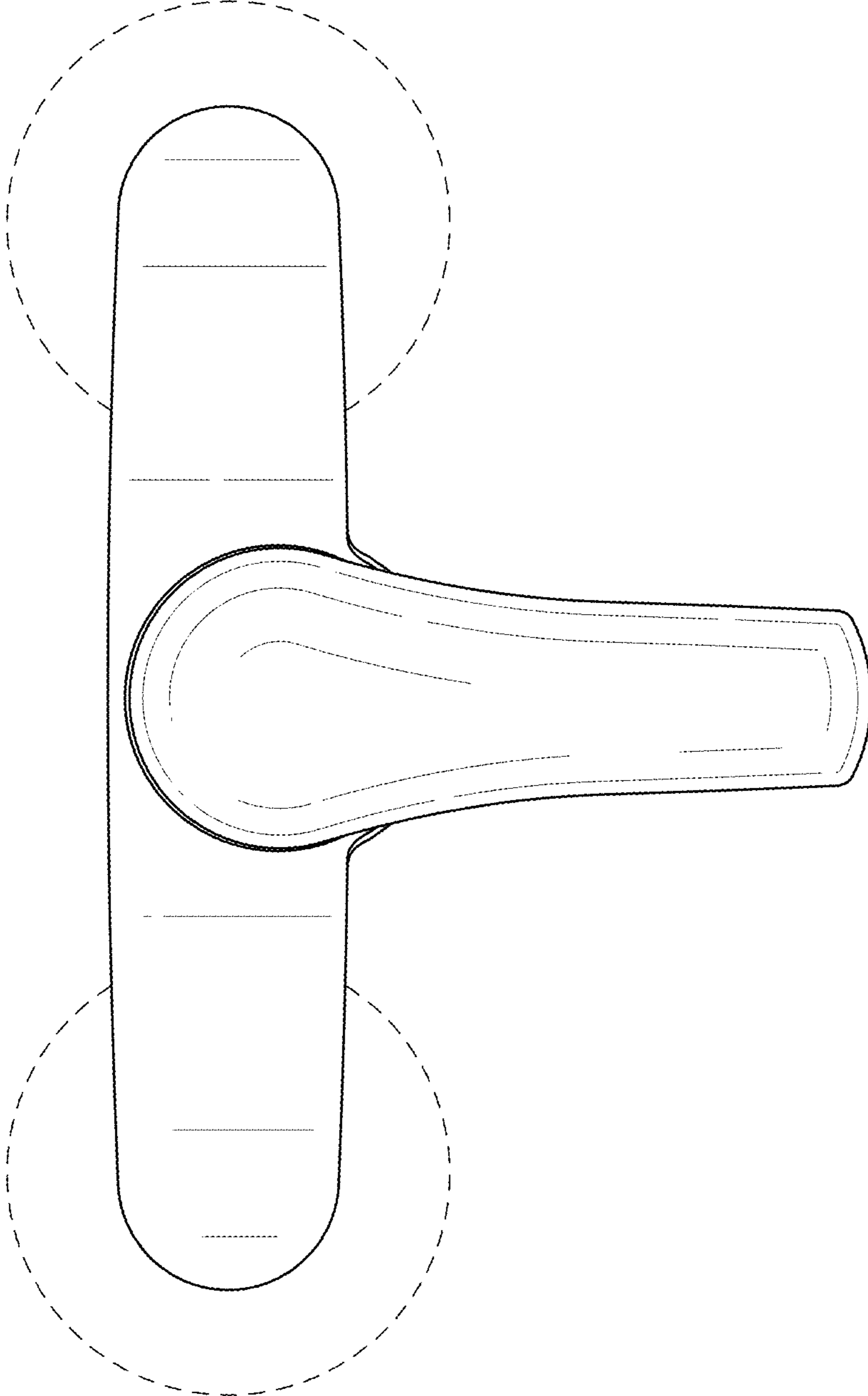


FIG.2

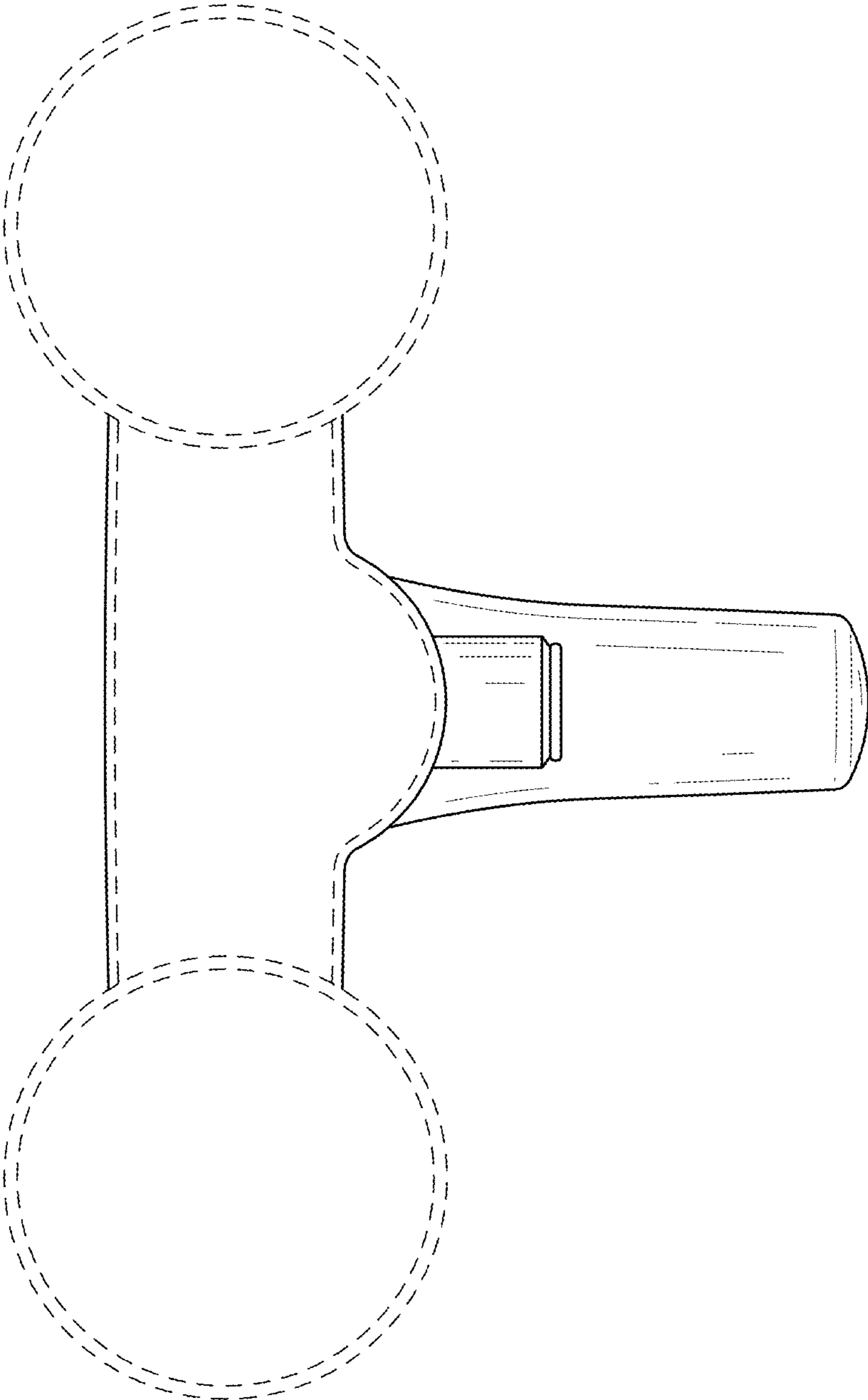


FIG.3

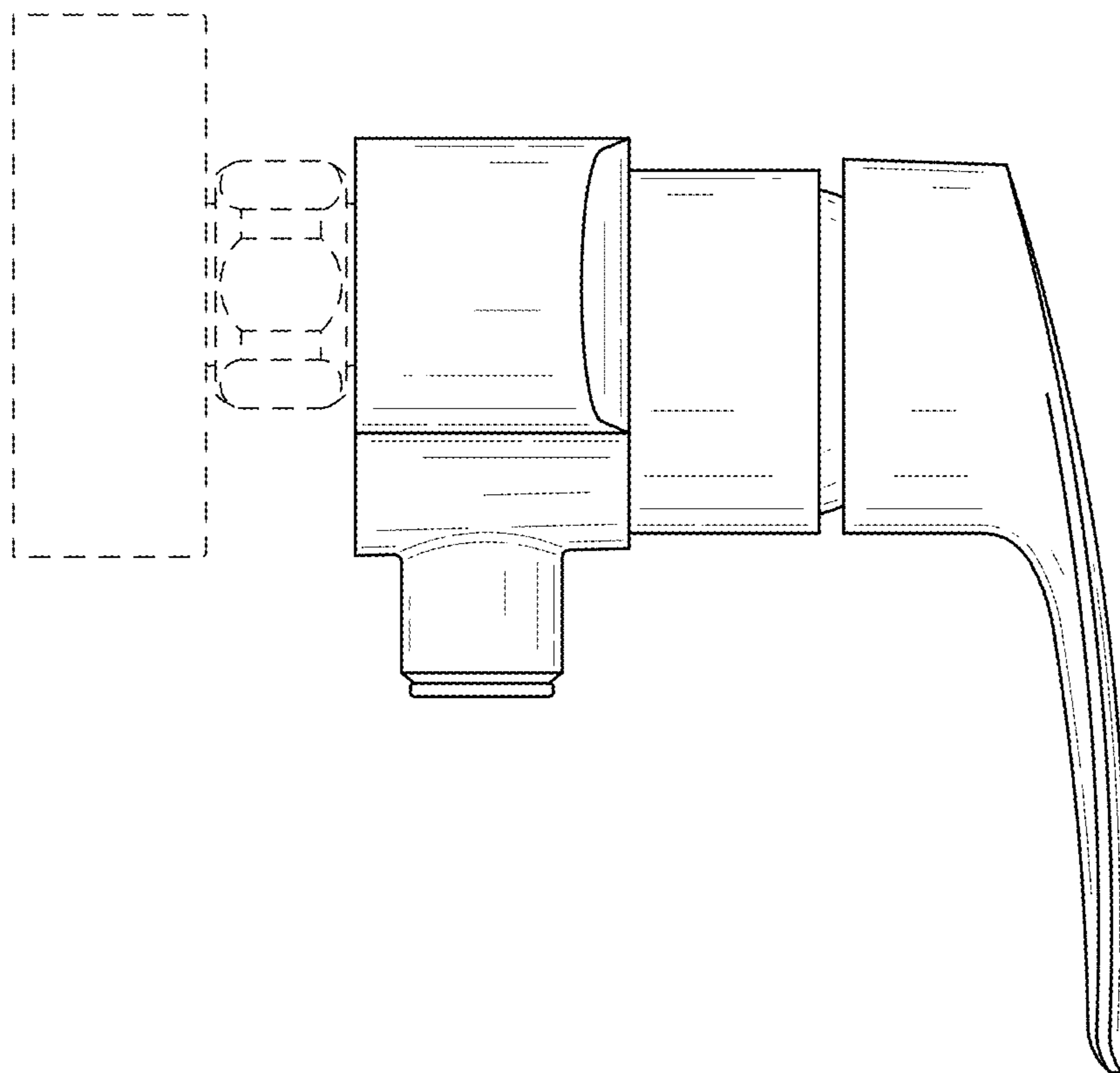


FIG.4

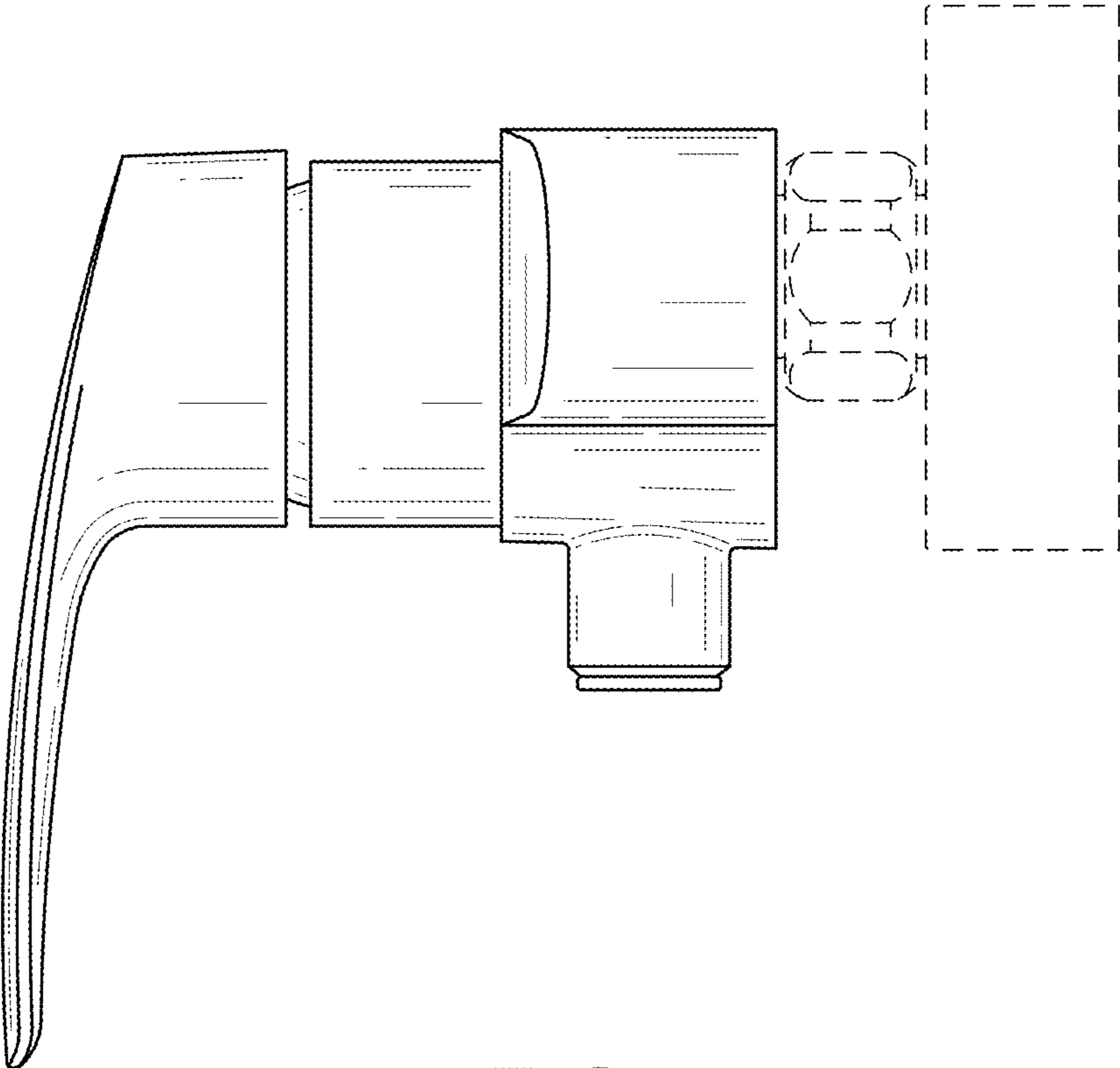


FIG.5

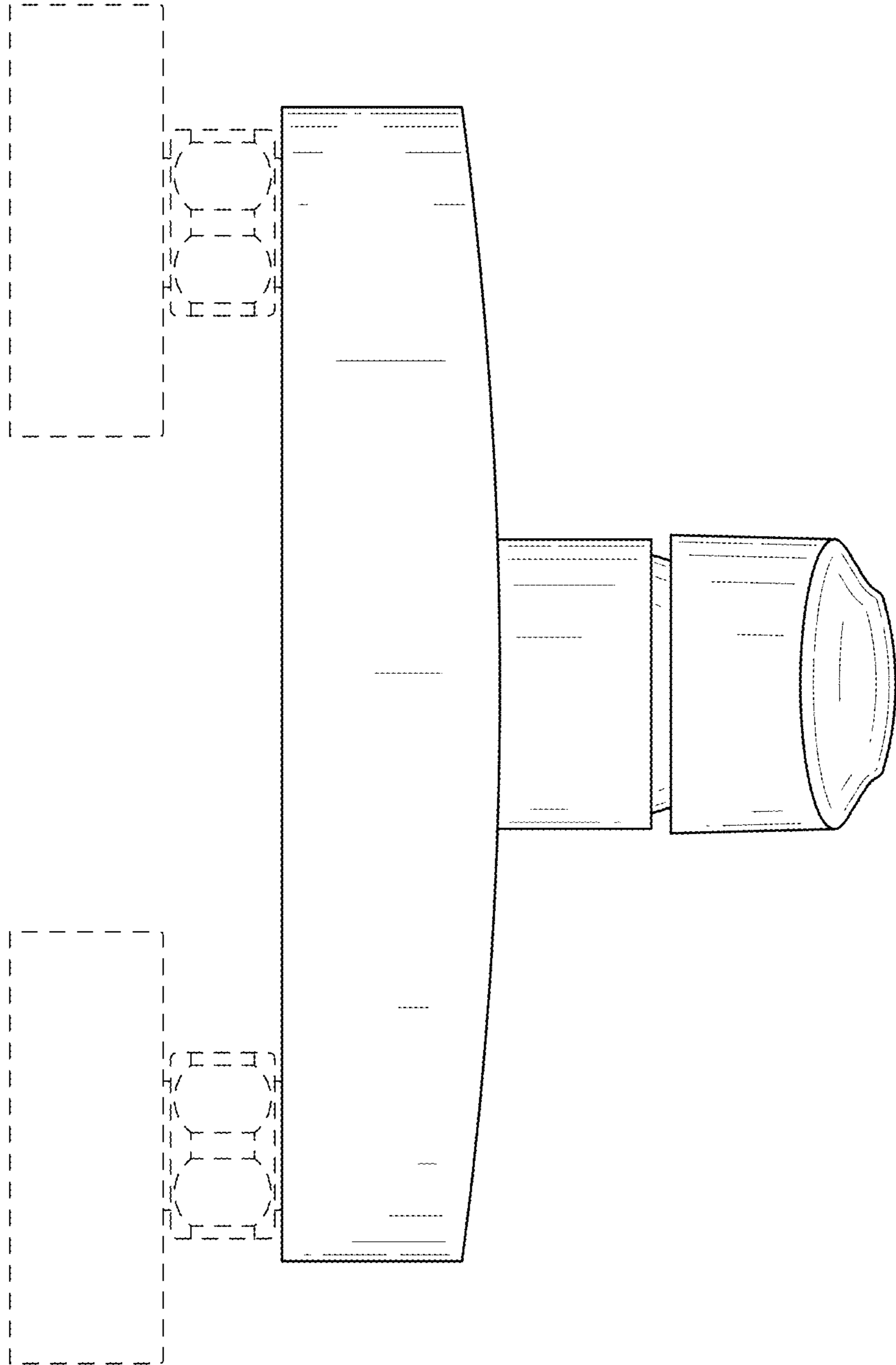


FIG. 6

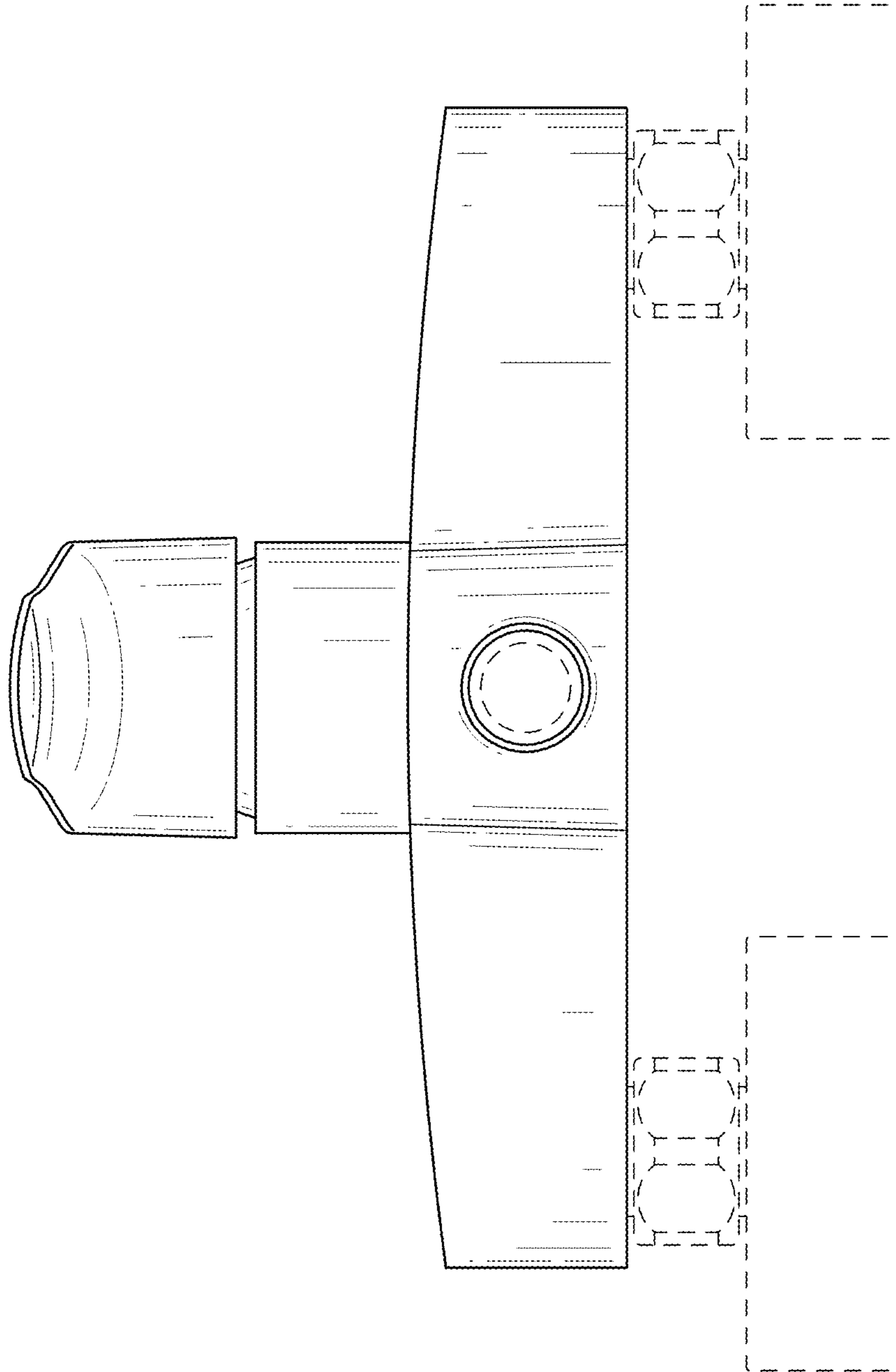


FIG.7