



US00D969272S

(12) **United States Design Patent** (10) **Patent No.:** **US D969,272 S**
Lin (45) **Date of Patent:** **** Nov. 8, 2022**

(54) **PRESSURE WASHER GUN**
(71) Applicant: **Shanghai Mingbiao Trading Co., Ltd.,**
Shanghai (CN)

D753,265 S * 4/2016 Burchard D23/226
D768,263 S * 10/2016 Laber D23/226
D857,312 S * 8/2019 Chavana, Jr. D32/17
D879,912 S 3/2020 Alexander et al.
D910,812 S 2/2021 Kangkang

(72) Inventor: **Quanming Lin, Shanghai (CN)**
(73) Assignee: **Shanghai Mingbiao Trading Co., Ltd.,**
Shanghai (CN)

OTHER PUBLICATIONS

CANPUMP Replacement Trigger Gun for Stainless Steel Surface Cleaner Pressure Washer, Oct. 14, 2020, amazon.com, Sep. 20, 2022, URL: <https://www.amazon.com/CANPUMP-Replacement-Trigger-Stainless-Pressure/dp/B081K51V57> (Year: 2020).*
Stone Banks High Pressure Washer Gun, Dec. 19, 2020, amazon.com, Sep. 20, 2022, URL: <https://www.amazon.co.uk/StoneBanks-Pressure-Nozzles-Cleaning-Connector/dp/B08R1J6GGB/> (Year: 2020).*

(**) Term: **15 Years**

(21) Appl. No.: **29/824,670**

(22) Filed: **Jan. 26, 2022**

(51) **LOC (13) Cl.** **23-01**

(52) **U.S. Cl.**
USPC **D23/226**

(58) **Field of Classification Search**
USPC D23/213, 214, 215, 223, 224, 226, 229, D23/230
CPC A61H 9/0021; A61H 33/00; B05B 1/00; B05B 1/14; B05B 1/185; B05B 1/08; B05B 1/02; B05B 1/26; B05B 12/002; B05B 1/18; B05B 9/01
See application file for complete search history.

* cited by examiner

Primary Examiner — Keith J Wilson
(74) *Attorney, Agent, or Firm* — ScienBiziP, P.C.

(57) **CLAIM**

The ornamental design for a pressure washer gun, as shown and described.

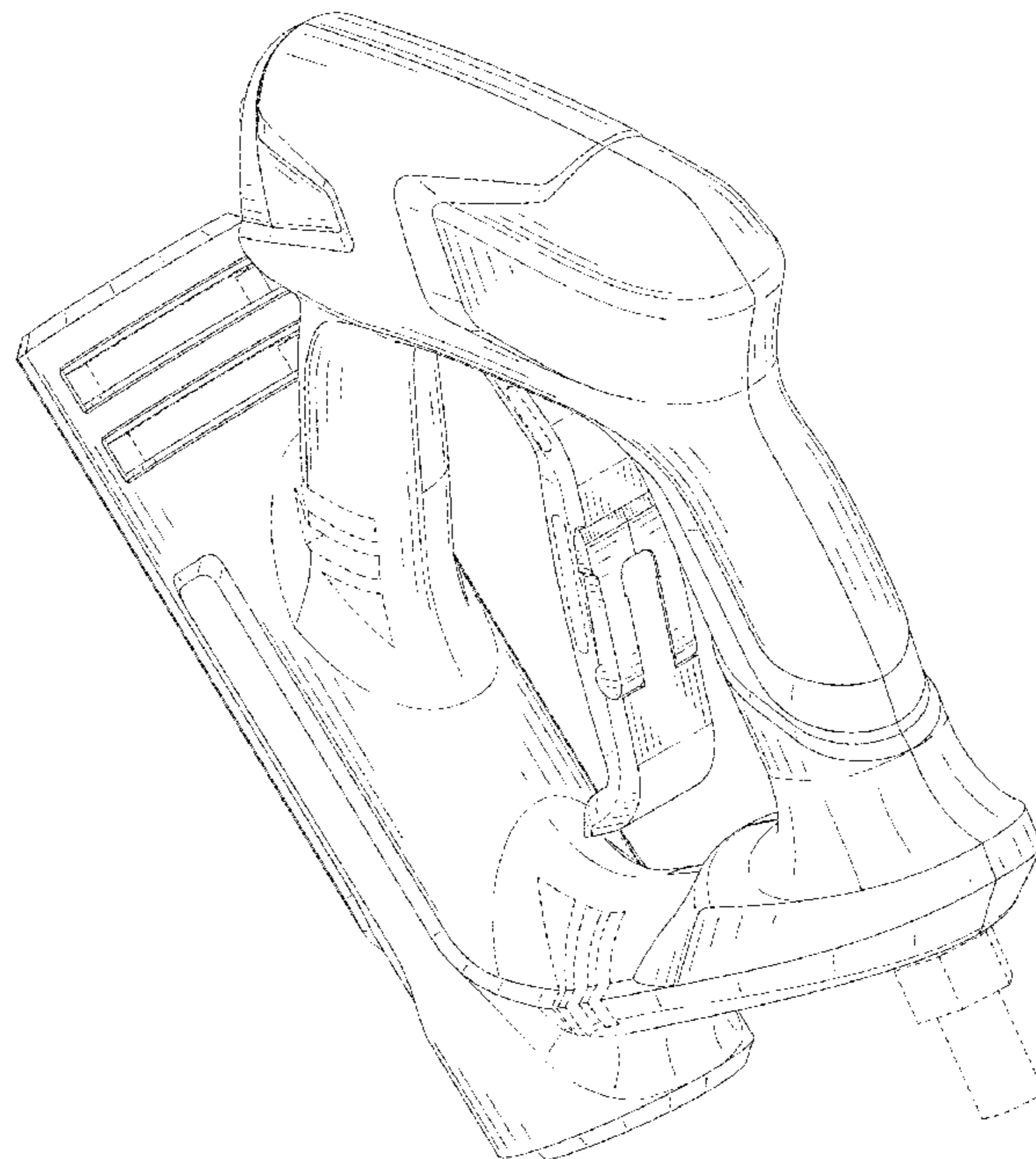
DESCRIPTION

FIG. 1 is a front, right, and top perspective view of a pressure washer gun, showing my design.
FIG. 2 is a rear, left, and bottom perspective view thereof.
FIG. 3 is a front elevation view thereof.
FIG. 4 is a rear elevation view thereof.
FIG. 5 is a left side elevation view thereof.
FIG. 6 is a right side elevation view thereof.
FIG. 7 is a top plan view thereof; and,
FIG. 8 is a bottom plan view thereof.
The broken lines shown in the drawings are included for the purpose of illustrating portions of the pressure washer gun that form no part of the claimed design.

(56) **References Cited**
U.S. PATENT DOCUMENTS

D291,113 S * 7/1987 Bauer D23/226
D498,817 S * 11/2004 Amaduzzi D23/226
D501,536 S * 2/2005 Amaduzzi D23/226
D518,873 S * 4/2006 Carpanese D23/223
D555,767 S * 11/2007 Carpanese D23/226
D571,434 S * 6/2008 Renner D23/223
D573,691 S * 7/2008 Busschaert D23/226
D582,513 S * 12/2008 Zingoni D23/226
D729,902 S * 5/2015 Hollinger D23/223

1 Claim, 8 Drawing Sheets



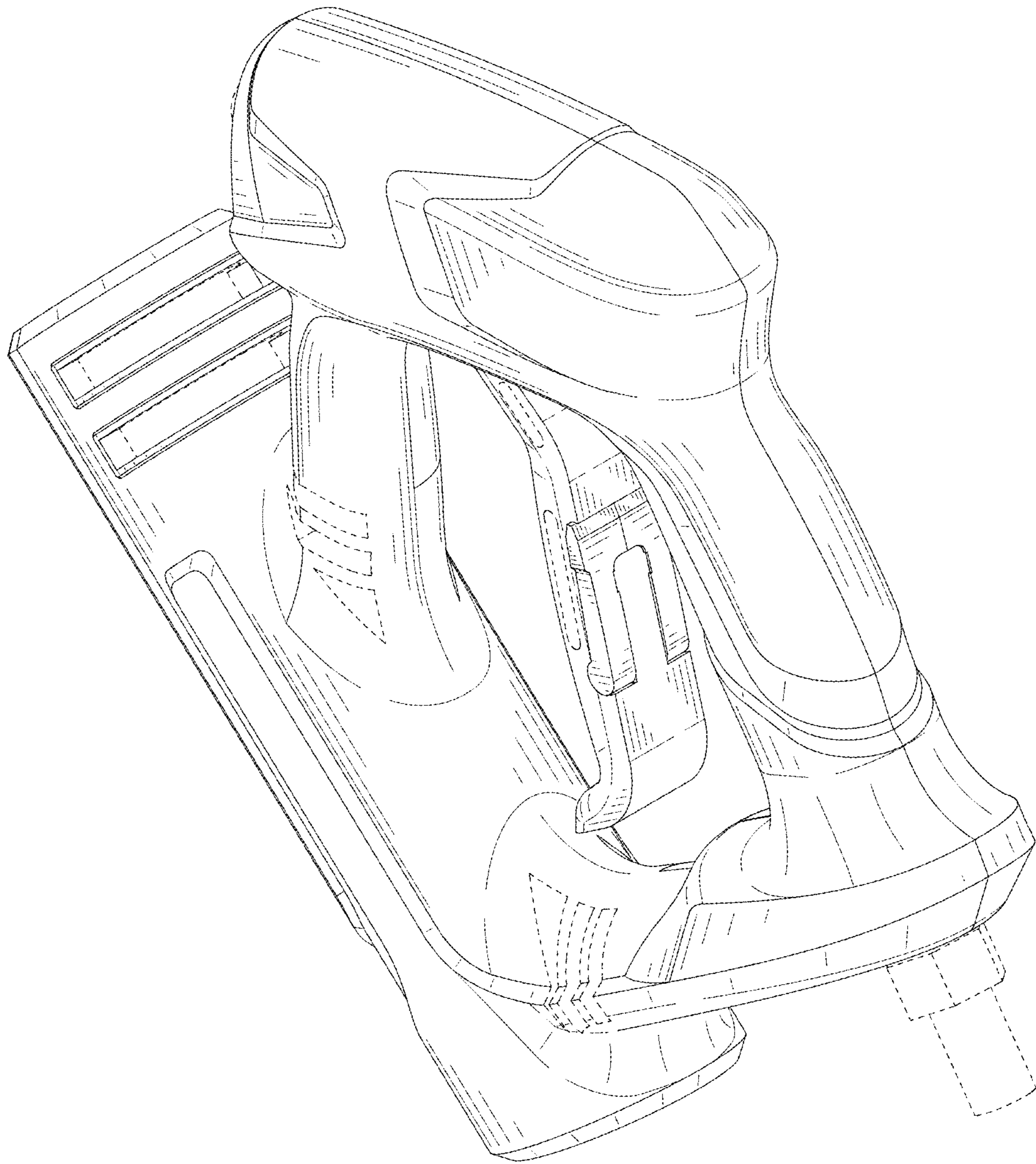


FIG. 1

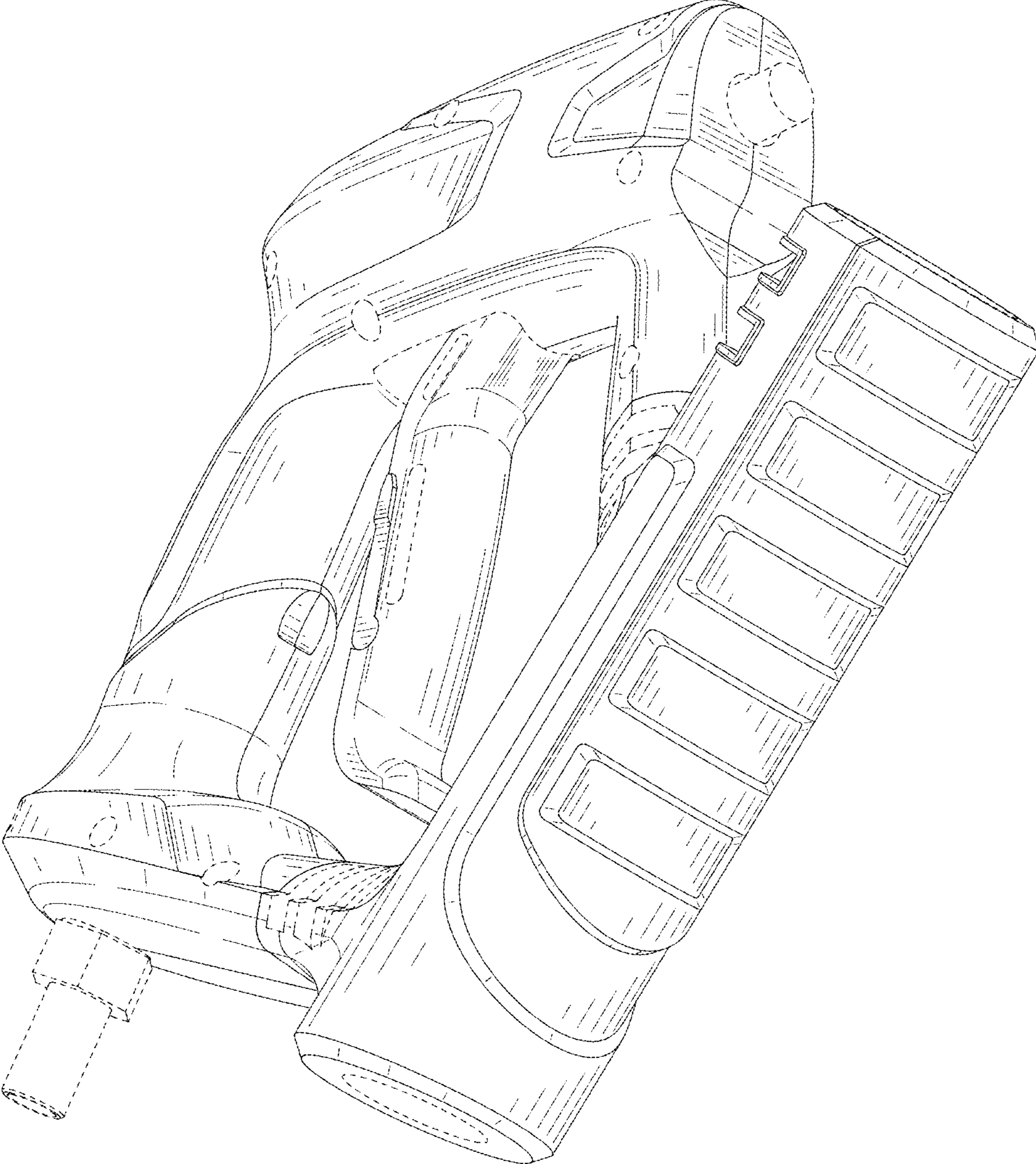


FIG. 2

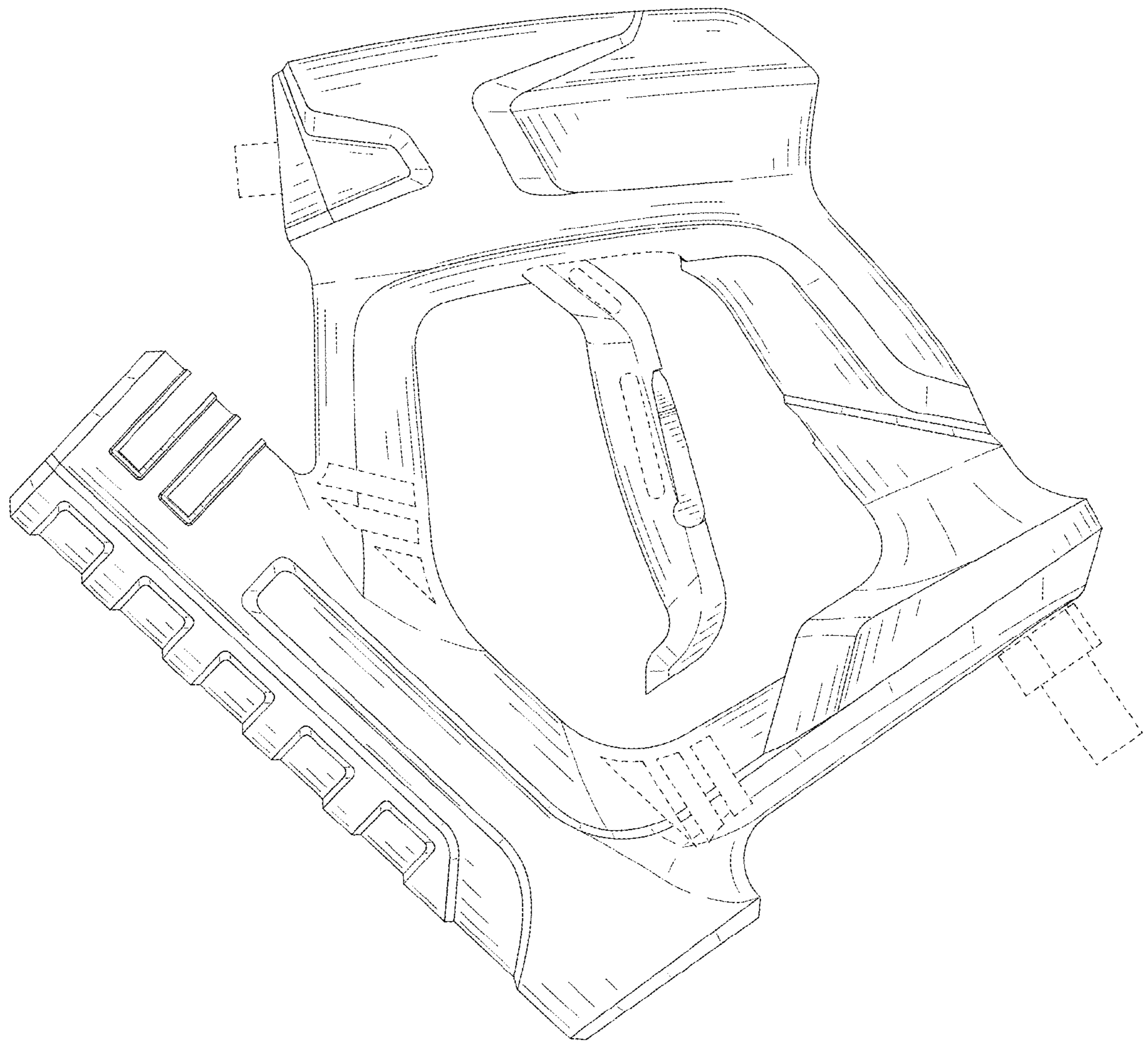


FIG. 3

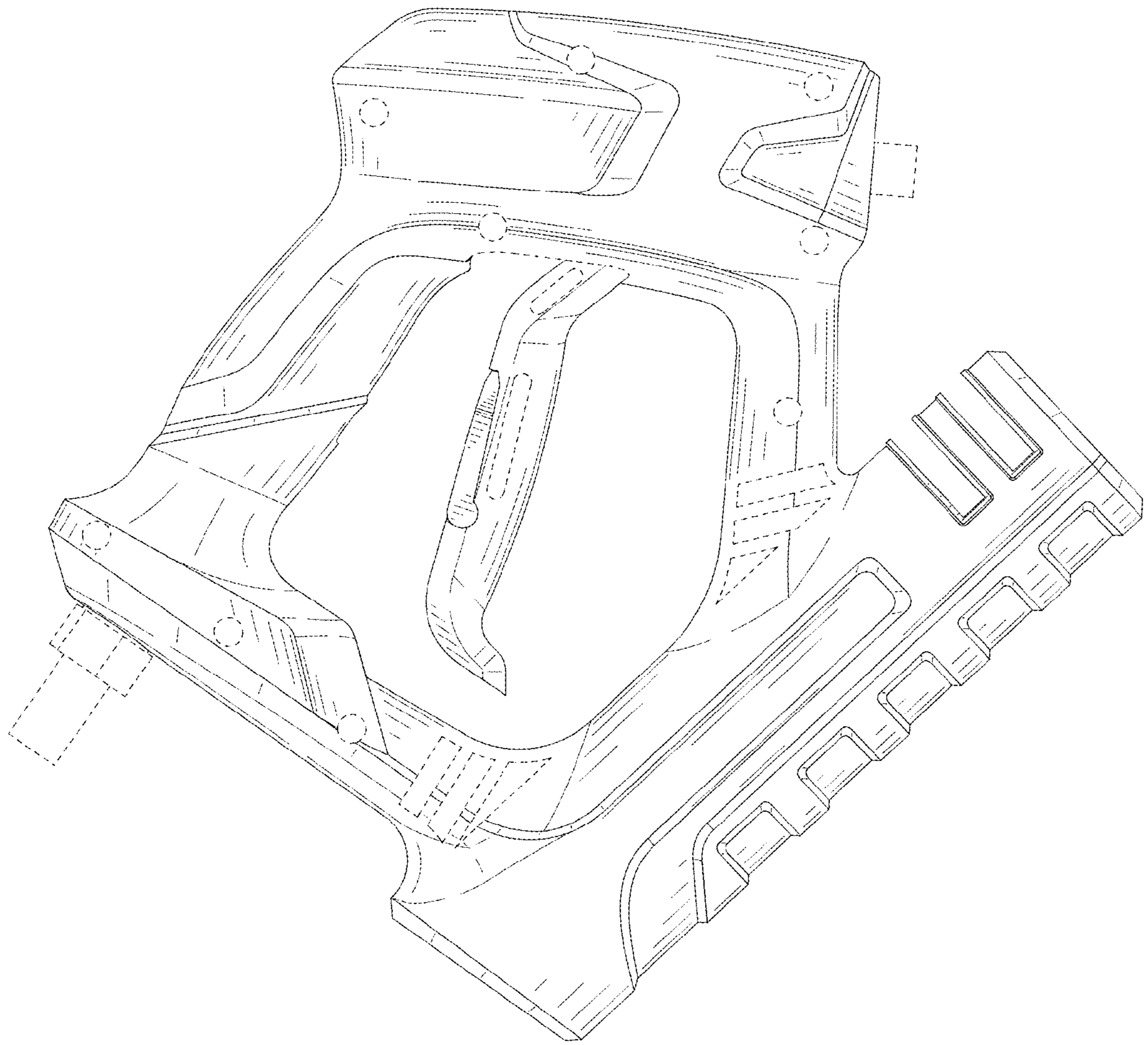


FIG. 4

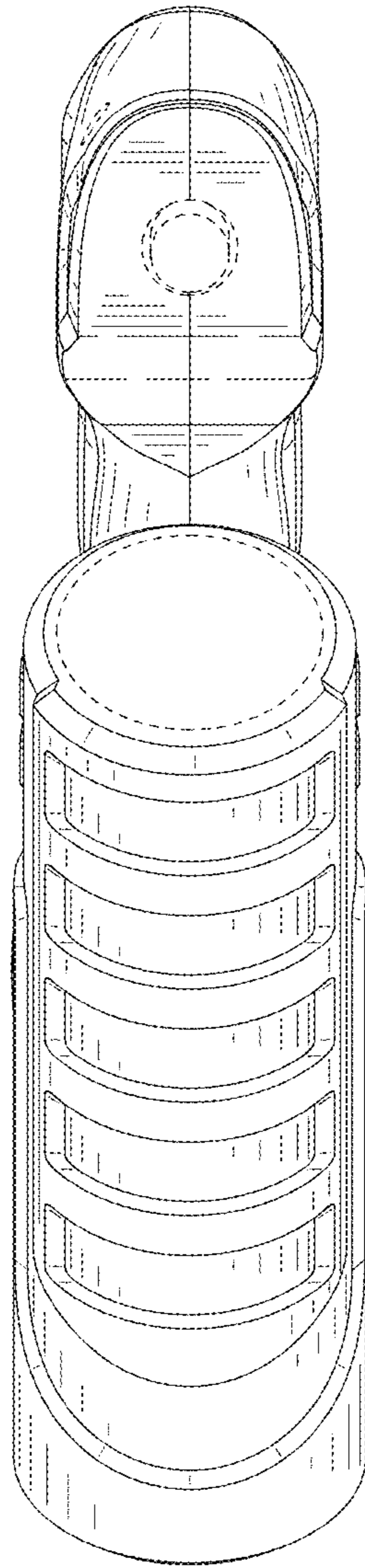


FIG. 5

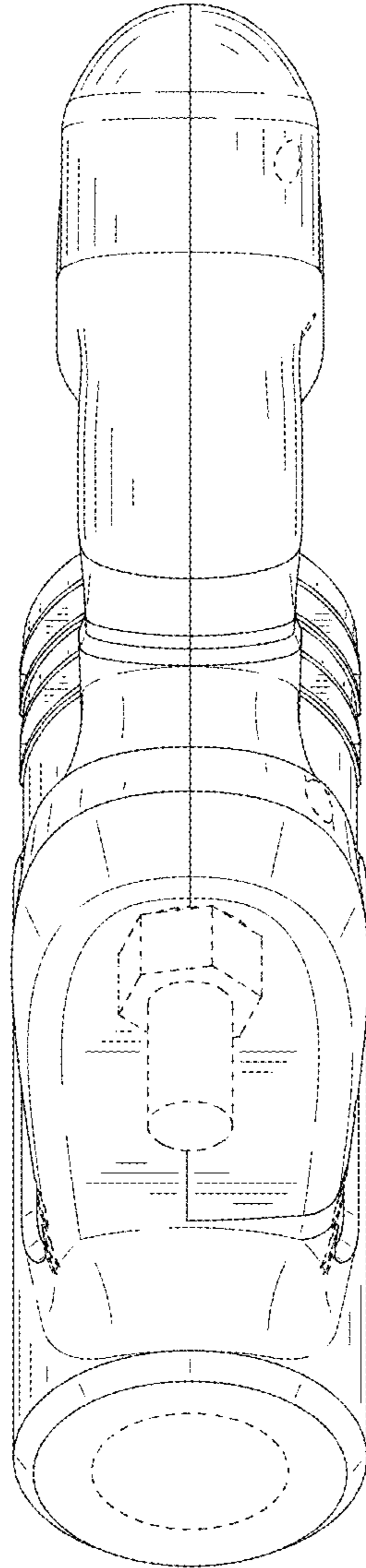


FIG. 6

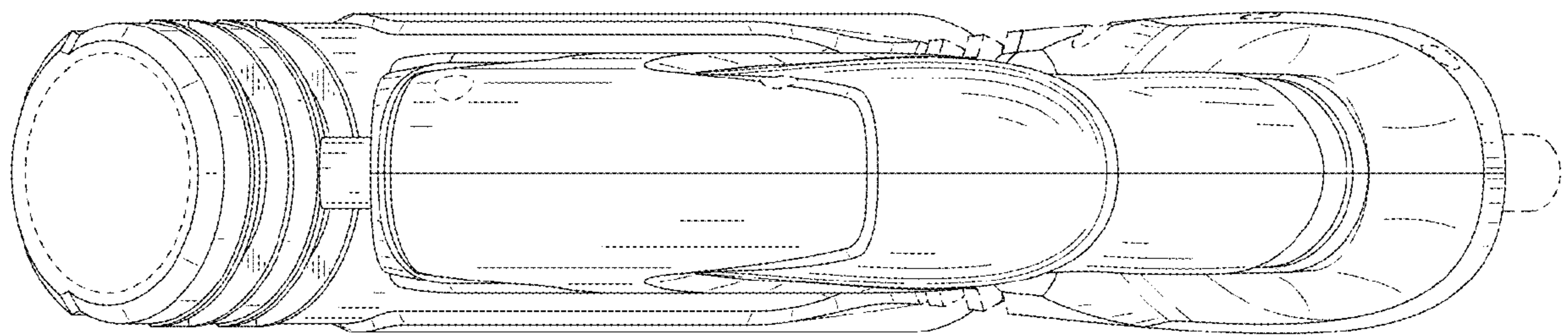


FIG. 7

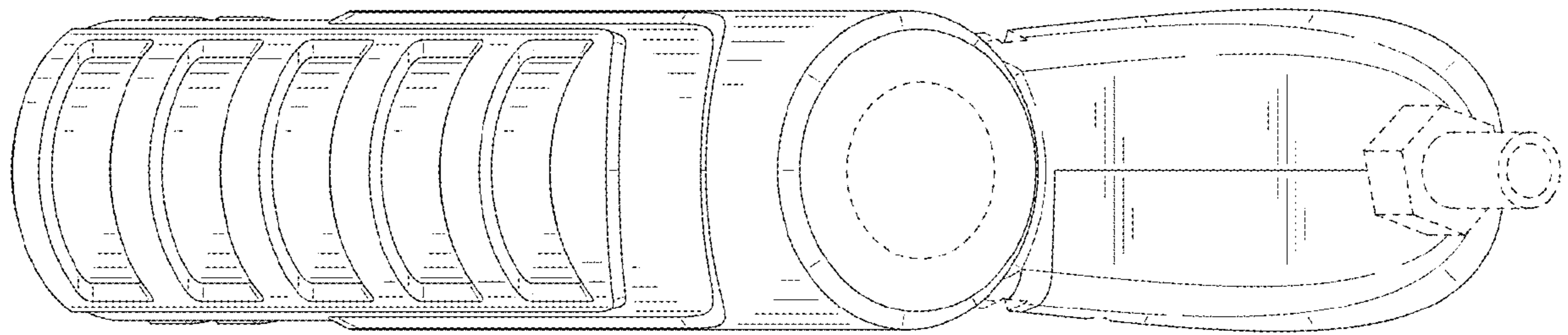


FIG. 8