



US00D969271S

(12) **United States Design Patent** (10) **Patent No.:** **US D969,271 S**
Wang et al. (45) **Date of Patent:** **** Nov. 8, 2022**

(54) **WAND FOR PITCHER**

(71) Applicant: **LARQ INC.**, Foster City, CA (US)
(72) Inventors: **Justin Wang**, Foster City, CA (US);
Mathew Chin, New York, NY (US);
Stephen Kaes, Brooklyn, NY (US);
Gareth Brown, Gardiner, NY (US);
Yvonne Young, Foster City, CA (US);
Doug Collins, Foster City, CA (US); **Li Zhang**, Foster City, CA (US); **Deyan Huang**, Suzhou (CN)

(73) Assignee: **LARQ, Inc.**, Foster City, CA (US)

(**) Term: **15 Years**

(21) Appl. No.: **29/735,222**

(22) Filed: **May 19, 2020**

(51) **LOC (13) Cl.** **23-01**

(52) **U.S. Cl.**
USPC **D23/209**; D7/397

(58) **Field of Classification Search**
USPC D7/300, 301–303, 305, 306, 309,
D7/312–314, 316–319, 387, 397–400;
D23/207, 209, 213; D24/215
(Continued)

(56) **References Cited**

U.S. PATENT DOCUMENTS

3,947,817 A * 3/1976 Requa G06K 7/01
382/295
D256,944 S * 9/1980 Fox, Jr. D23/209
D309,853 S * 8/1990 Kolada D6/515
D336,591 S * 6/1993 Leung D7/376
(Continued)

OTHER PUBLICATIONS

Design No. 304865770, Oct. 26, 2018—China National Intellectual Property Administration (CNIPA) Publication Date—Oct. 26, 2018
Owner—Dongguan Jingbang Water Purification Technology Co Ltd, Designer—Su Fujiang WIPO, available at <https://www3.wipo.int/designdb/en/index.jsp> (Year: 2018).*

(Continued)

Primary Examiner — Mary Ann Calabrese
Assistant Examiner — Natalya M Rapundalo
(74) *Attorney, Agent, or Firm* — Arc IP Law, PC; Joseph J. Mayo

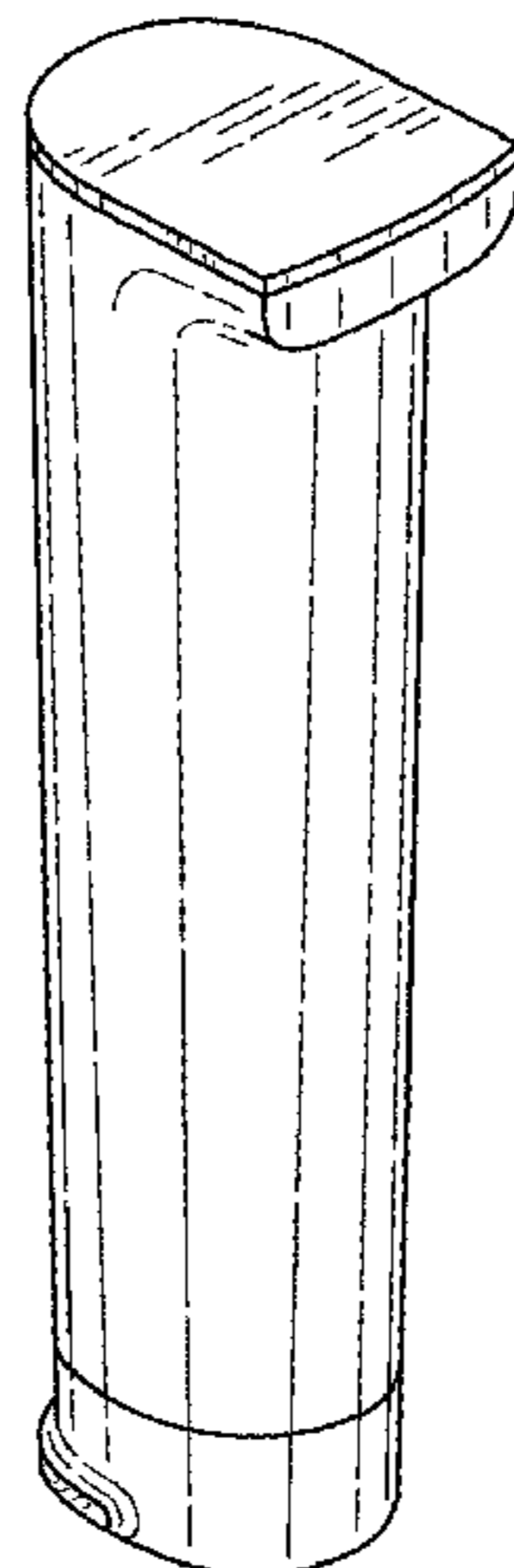
(57) **CLAIM**

The ornamental design for a wand for pitcher, as shown and described.

DESCRIPTION

FIG. 1 is a perspective view of a first embodiment of a wand for pitcher showing our new design within an environment of use.
FIG. 2 is a front view of the wand for pitcher shown within an environment of use.
FIG. 3 is a top perspective view of the wand for pitcher.
FIG. 4 is a bottom perspective view thereof.
FIG. 5 is a front view thereof.
FIG. 6 is a back view thereof.
FIG. 7 is a right side view thereof.
FIG. 8 is a left side view thereof.
FIG. 9 is a top view thereof.
FIG. 10 is a bottom view thereof.
FIG. 11 is a bottom perspective view of a second embodiment of a wand for pitcher showing our new design.
FIG. 12 is a perspective view of a third embodiment of a wand for pitcher showing our new design within an environment of use.
FIG. 13 is a front view of the wand for pitcher of FIG. 12 shown within an environment of use.
FIG. 14 is a top perspective view of the third embodiment of the wand for pitcher.
FIG. 15 is a bottom perspective view thereof.
FIG. 16 is a front view thereof.
FIG. 17 is a back view thereof.
FIG. 18 is a right side view thereof.
FIG. 19 is a left side view thereof.
FIG. 20 is a top view thereof; and,
FIG. 21 is a bottom view thereof.
The broken lines in the drawings represent a pitcher and form no part of the claimed design.

1 Claim, 19 Drawing Sheets



(58) **Field of Classification Search**

CPC A47J 31/02; A47J 31/06; A47J 31/061;
A47J 31/0615; A47J 31/0642; A47J
31/0673; A47J 31/18; A47J 31/20; A47J
31/3628; A47J 31/407; A47J 31/44; A47J
31/4403; A47J 31/4482; A47J 31/46;
A47J 31/50; A47J 31/505; G01F 9/005;
G01F 19/00; G01V 3/15; G06K 7/01
See application file for complete search history.

(56) **References Cited**

U.S. PATENT DOCUMENTS

9,759,595 B1 * 9/2017 Morgan G01F 19/00
D815,482 S * 4/2018 Bell D7/318
D837,732 S * 1/2019 Derouineau G01F 9/005
D13/107
D871,820 S * 1/2020 Zou G01V 3/15
D7/318
D894,335 S * 8/2020 Huaping G06K 7/01
D23/209
D928,340 S * 8/2021 Chen D24/217
11,112,763 B1 * 9/2021 Collins G01F 9/005
2004/0145369 A1 * 7/2004 Sowers G01V 3/15
324/329

OTHER PUBLICATIONS

LARQ Pitcher, first available Nov. 26, 2021, Kickstarter, [online],
[site visited Dec. 9, 2021], Available from internet URL: <https://www.kickstarter.com/projects/larq-pitcher/larq-pitcher-pure-water-beyond-filtration> (Year: 2021).*

* cited by examiner

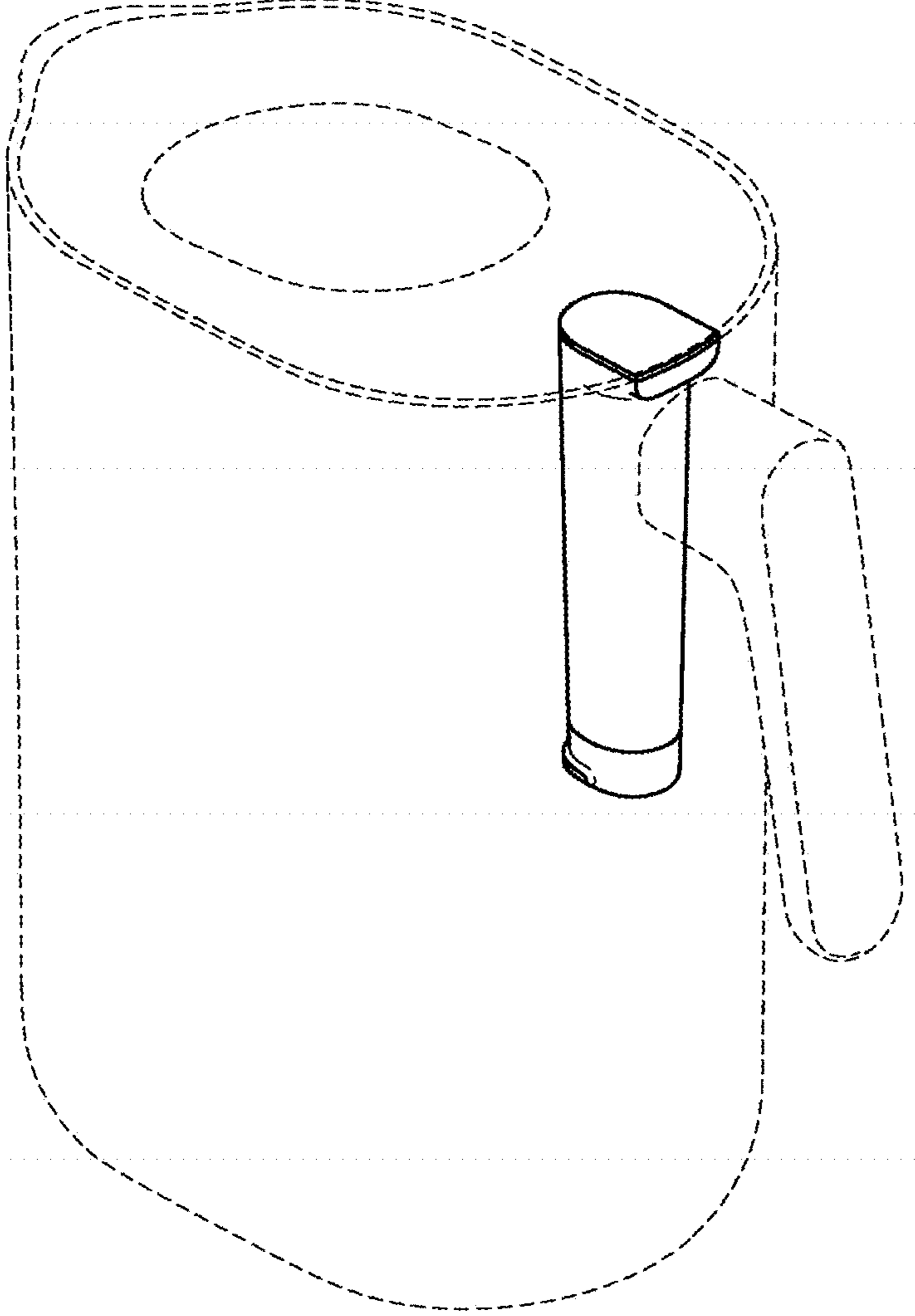


FIG.1

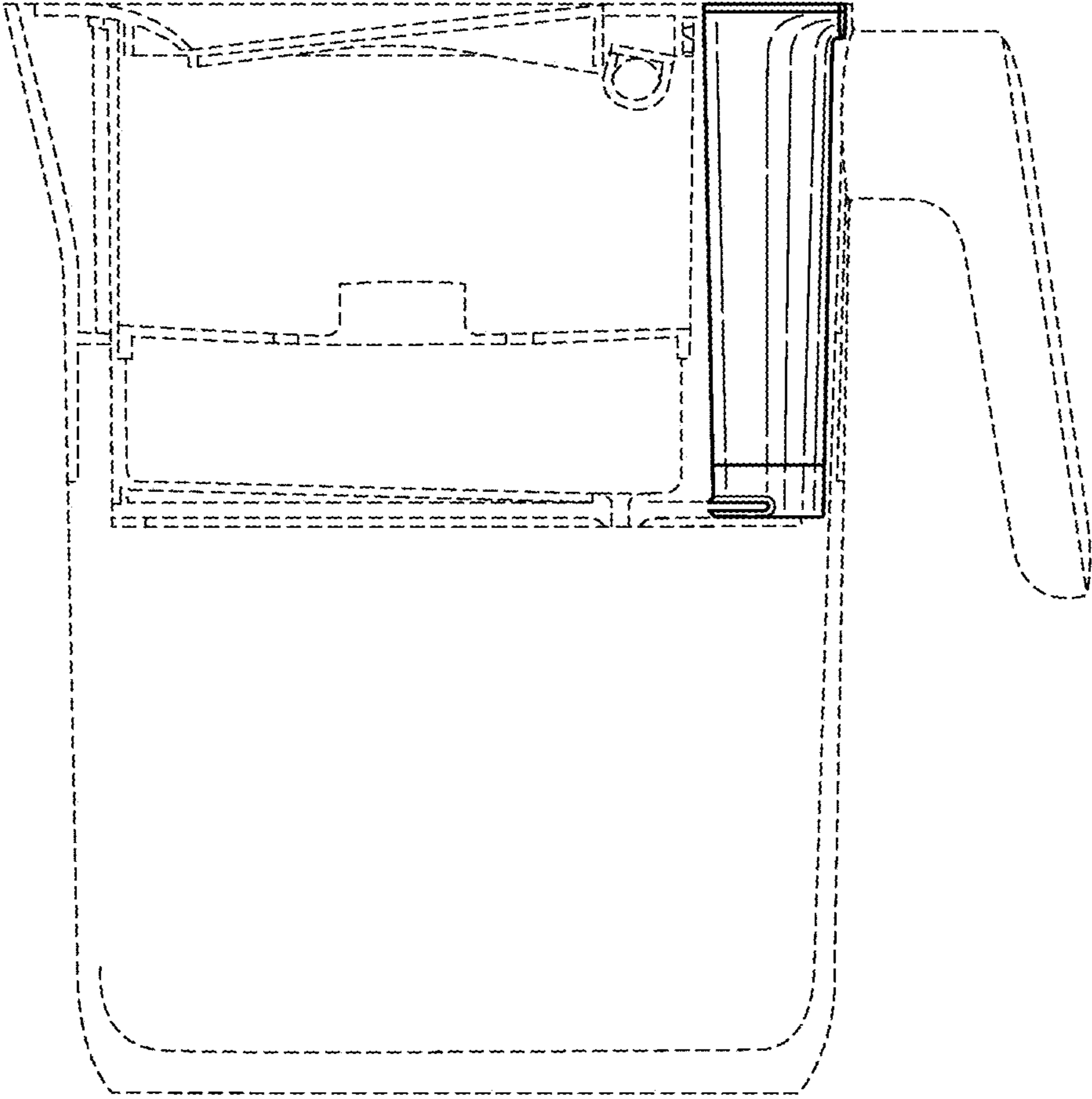


FIG.2

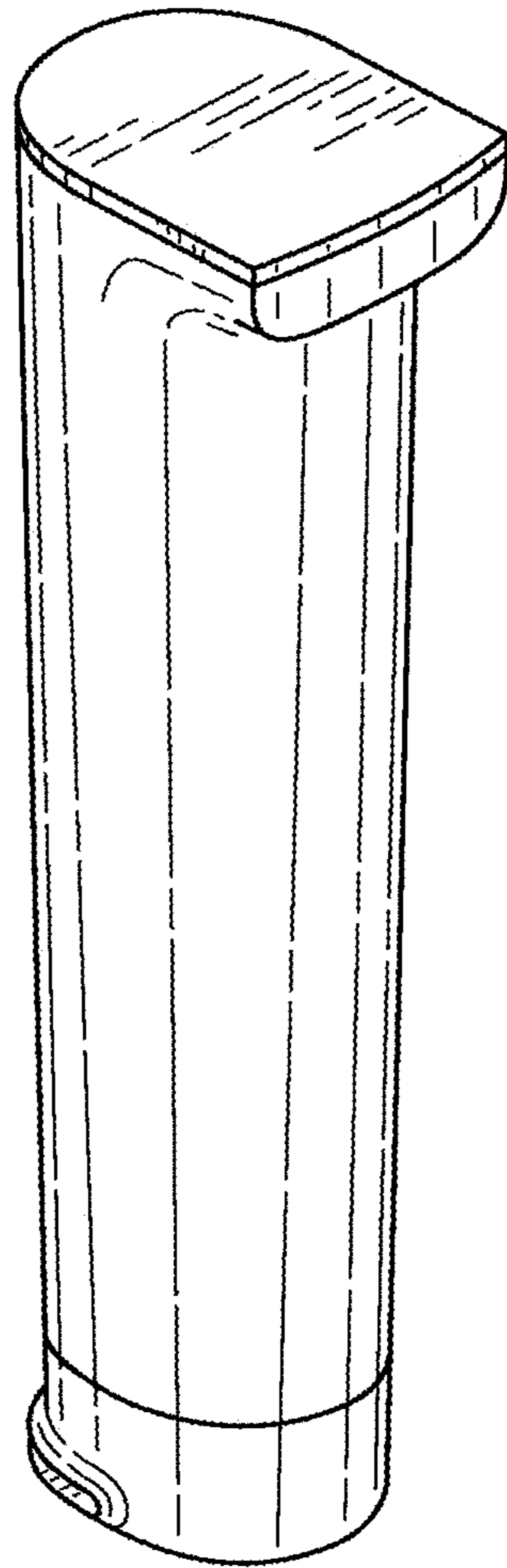


FIG.3

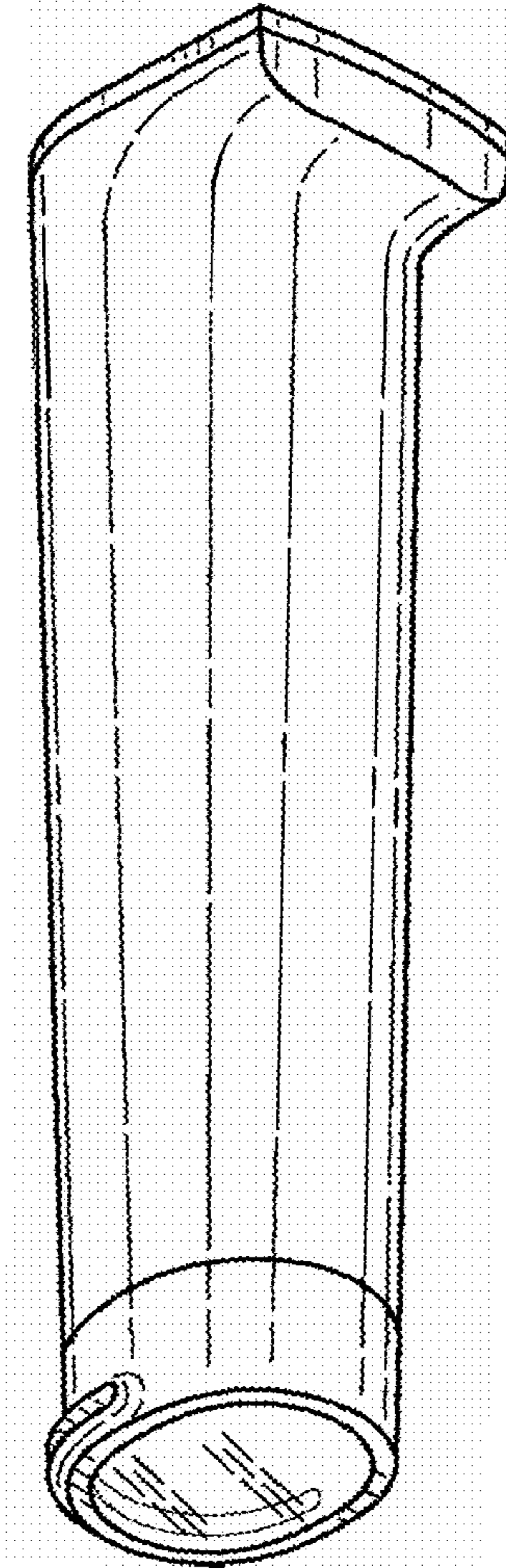


FIG.4

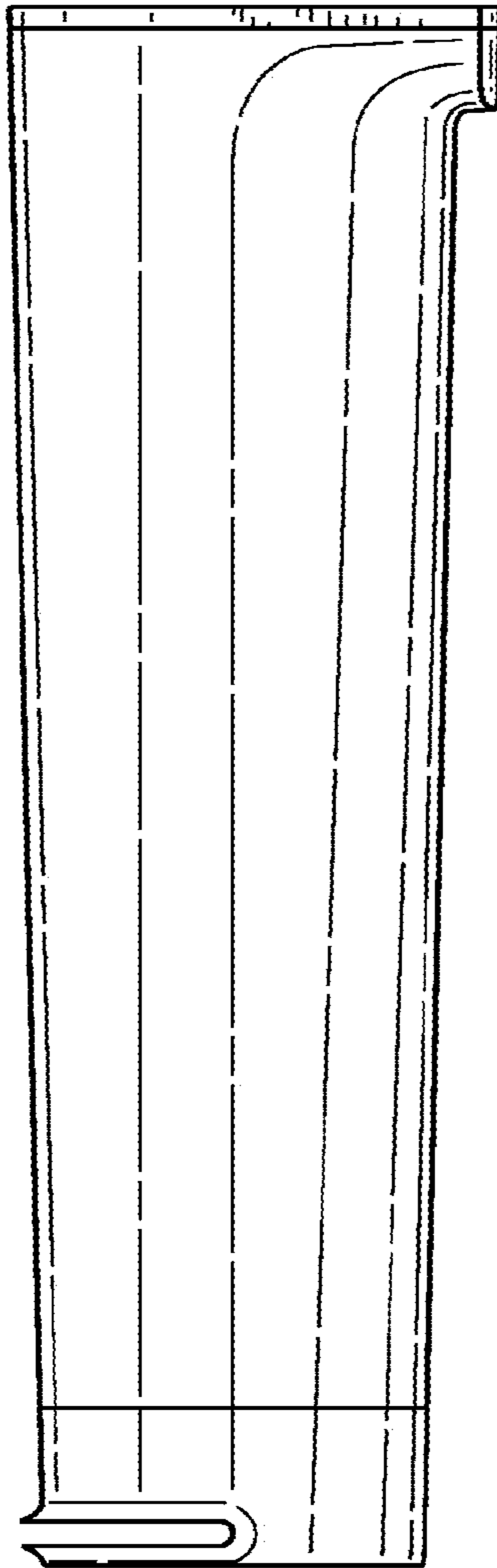


FIG.5

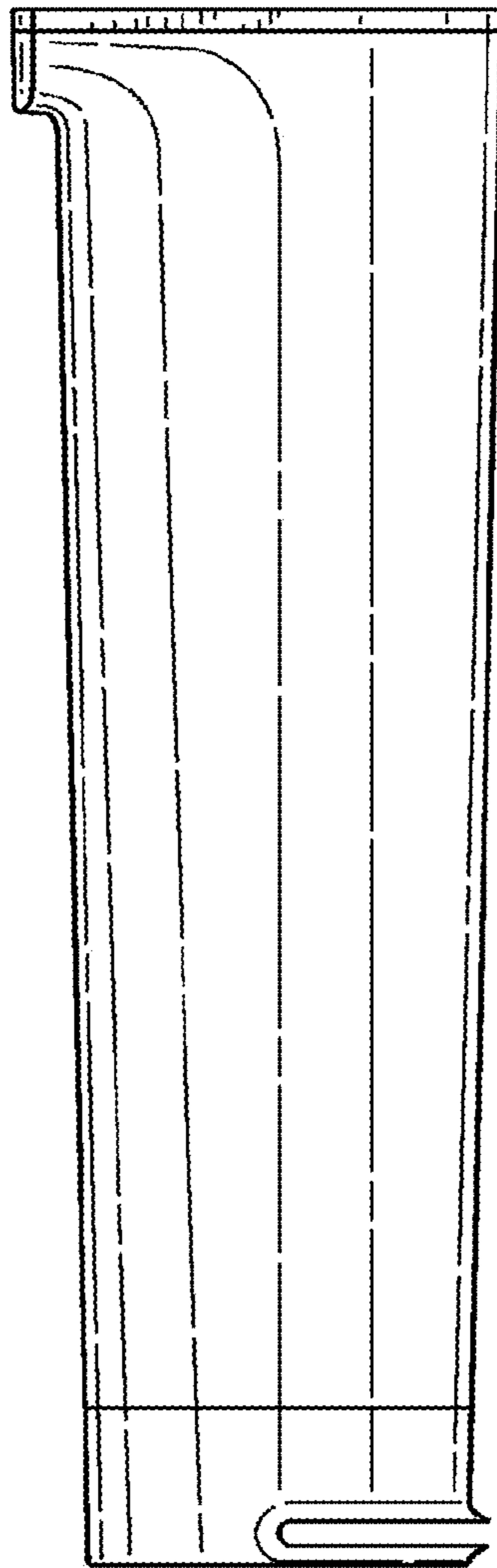


FIG.6

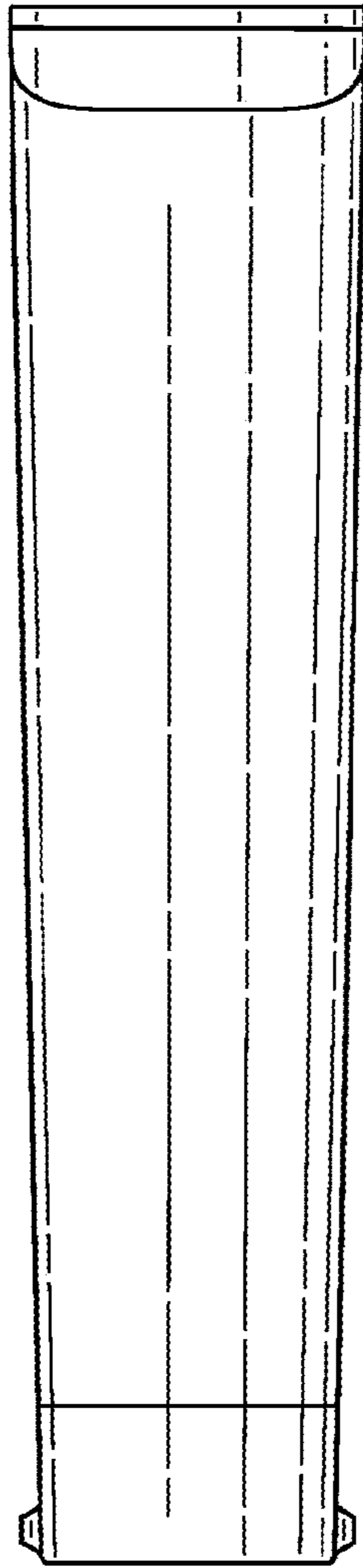


FIG.7

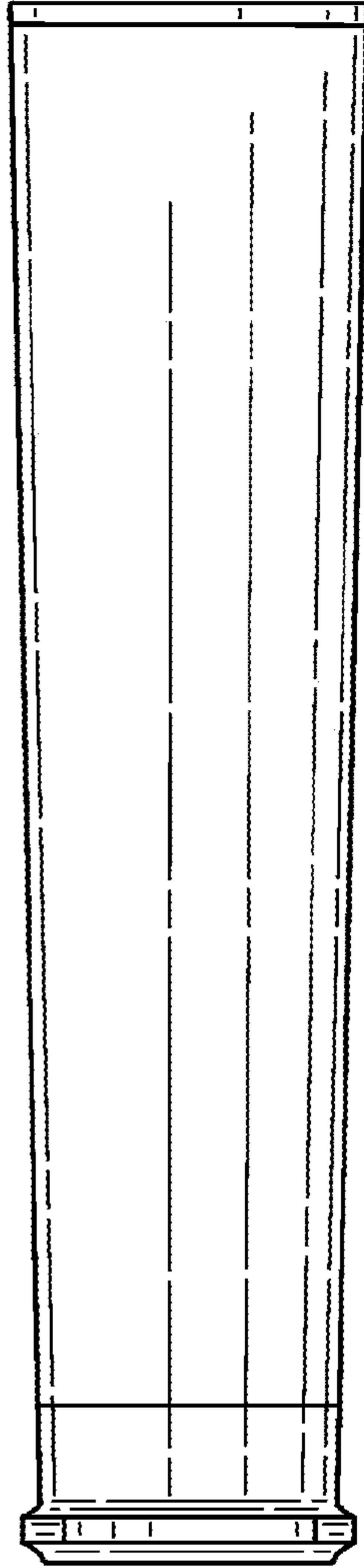


FIG. 8

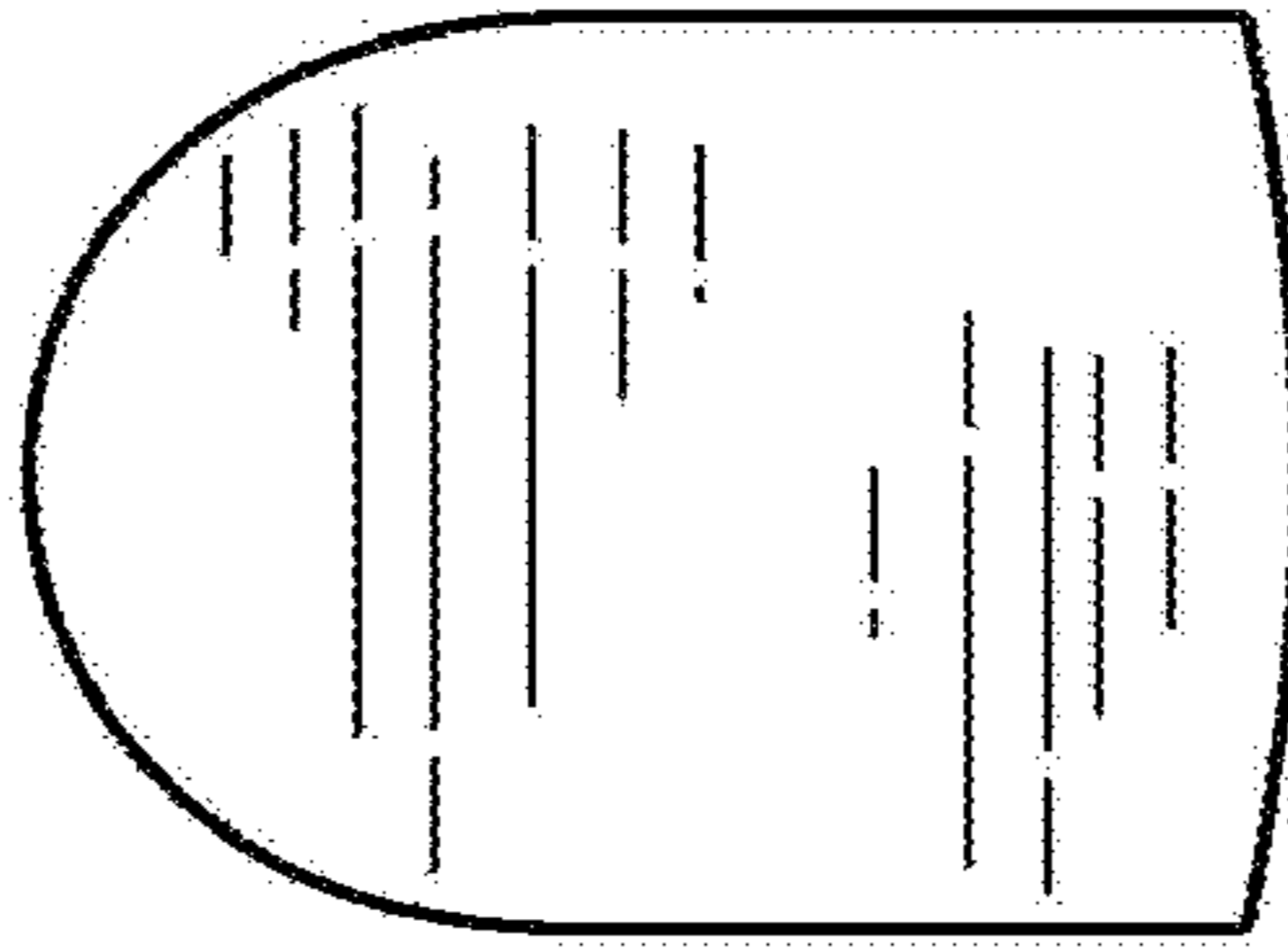


FIG. 9

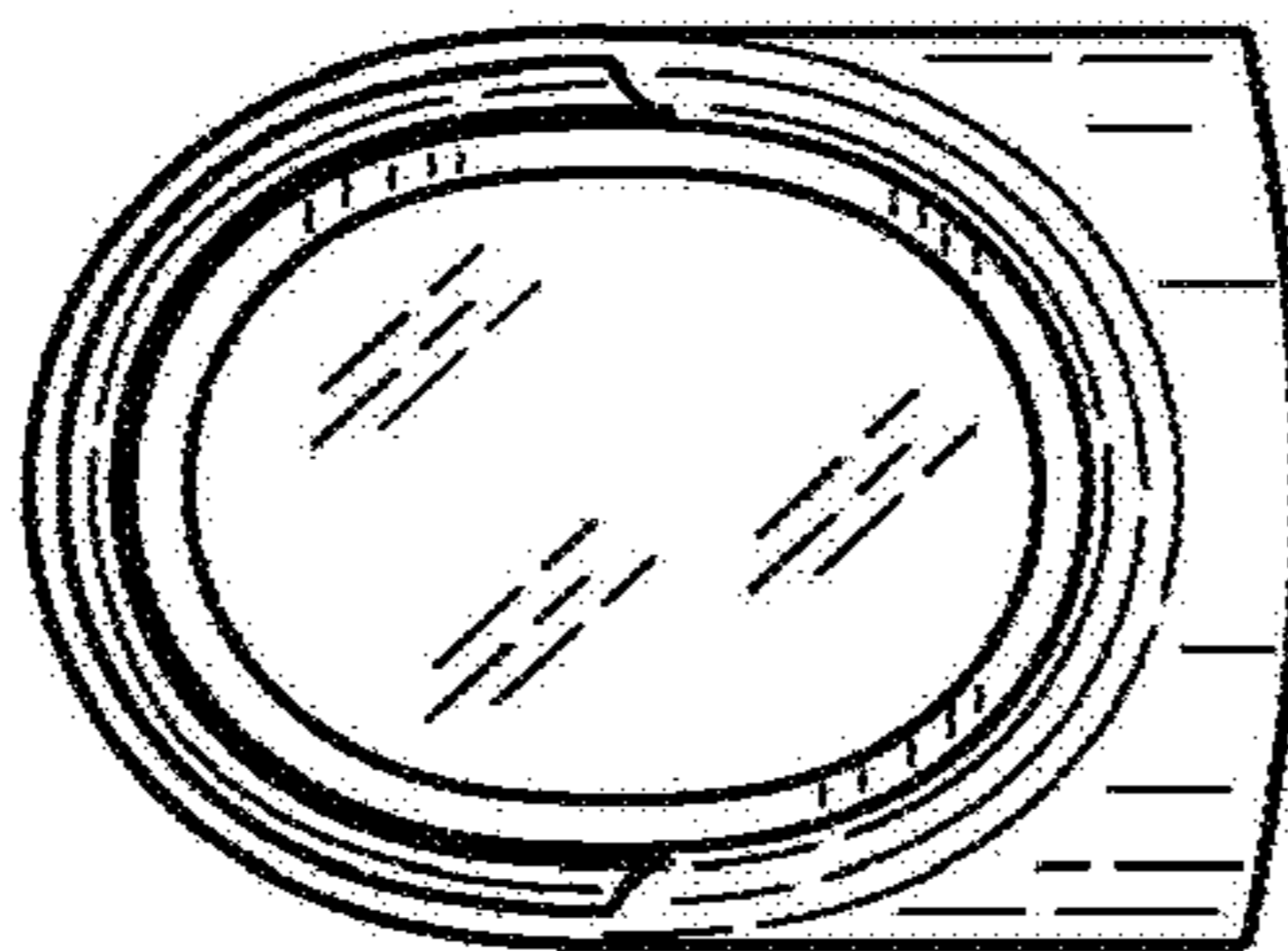


FIG. 10

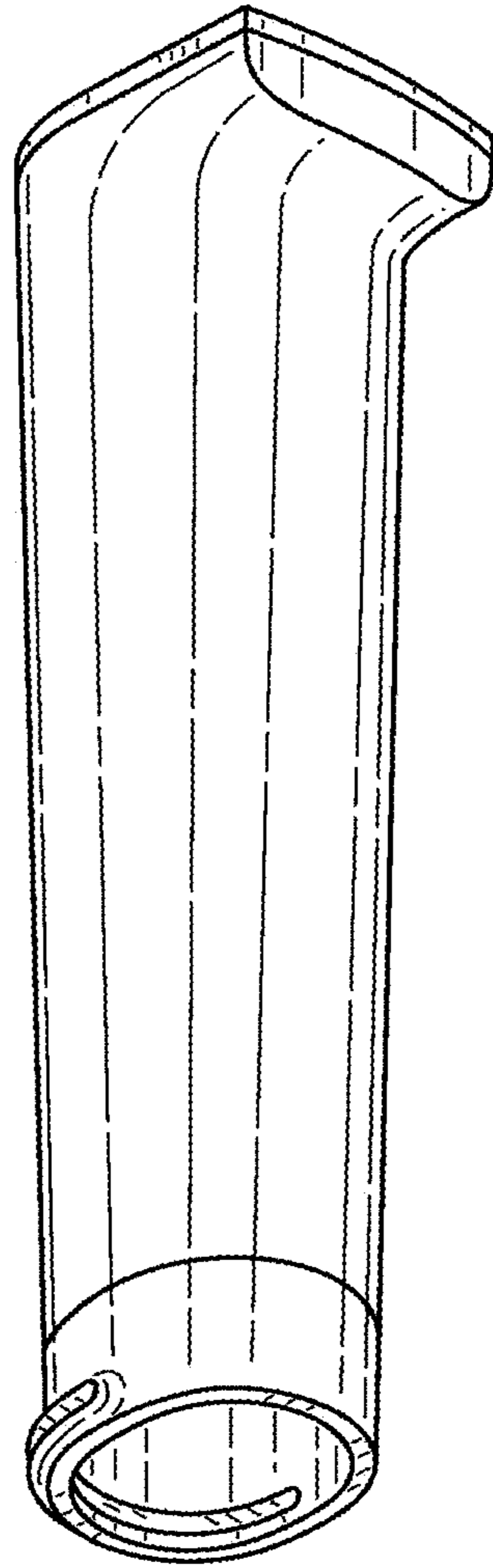


FIG.11

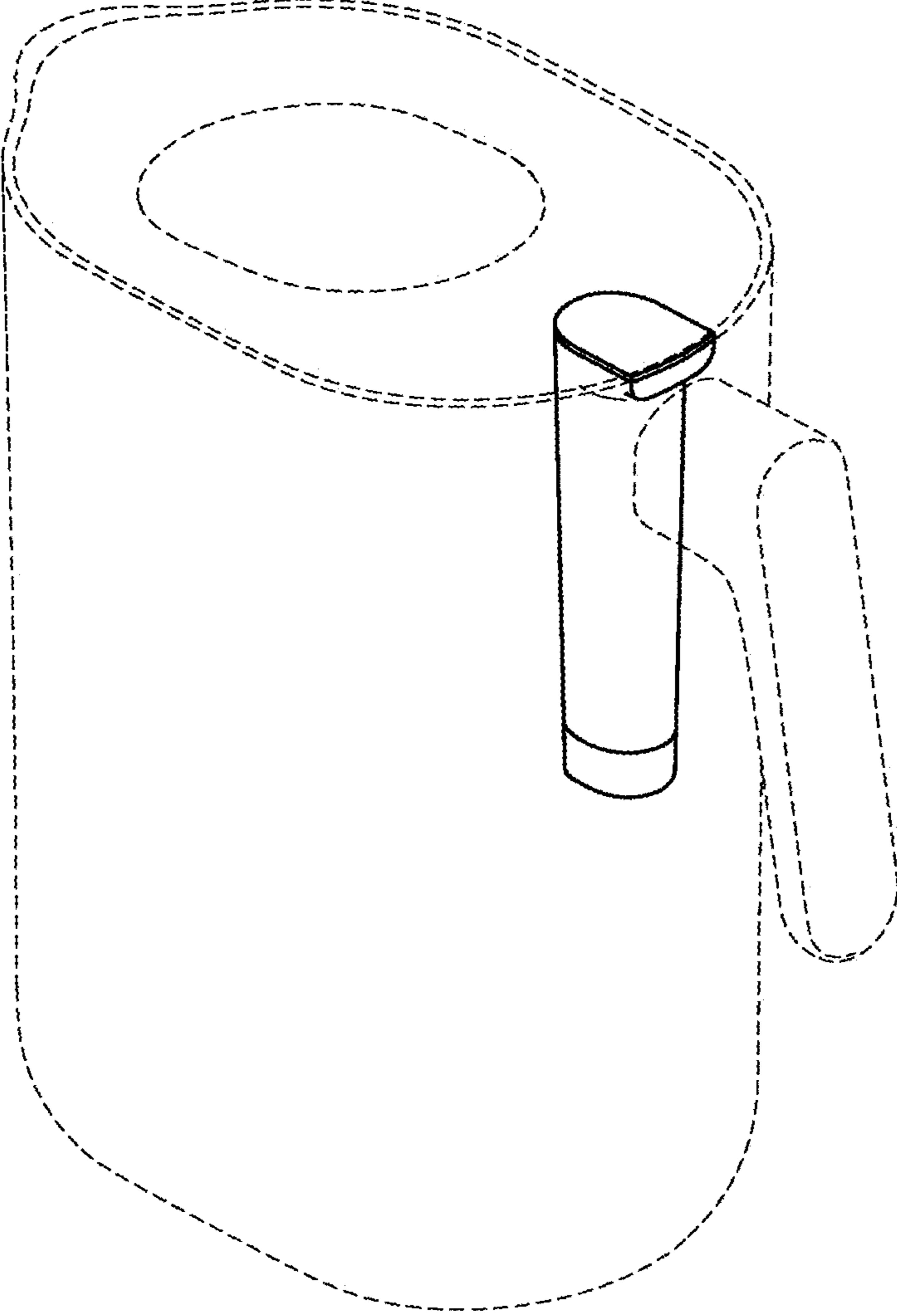


FIG.12

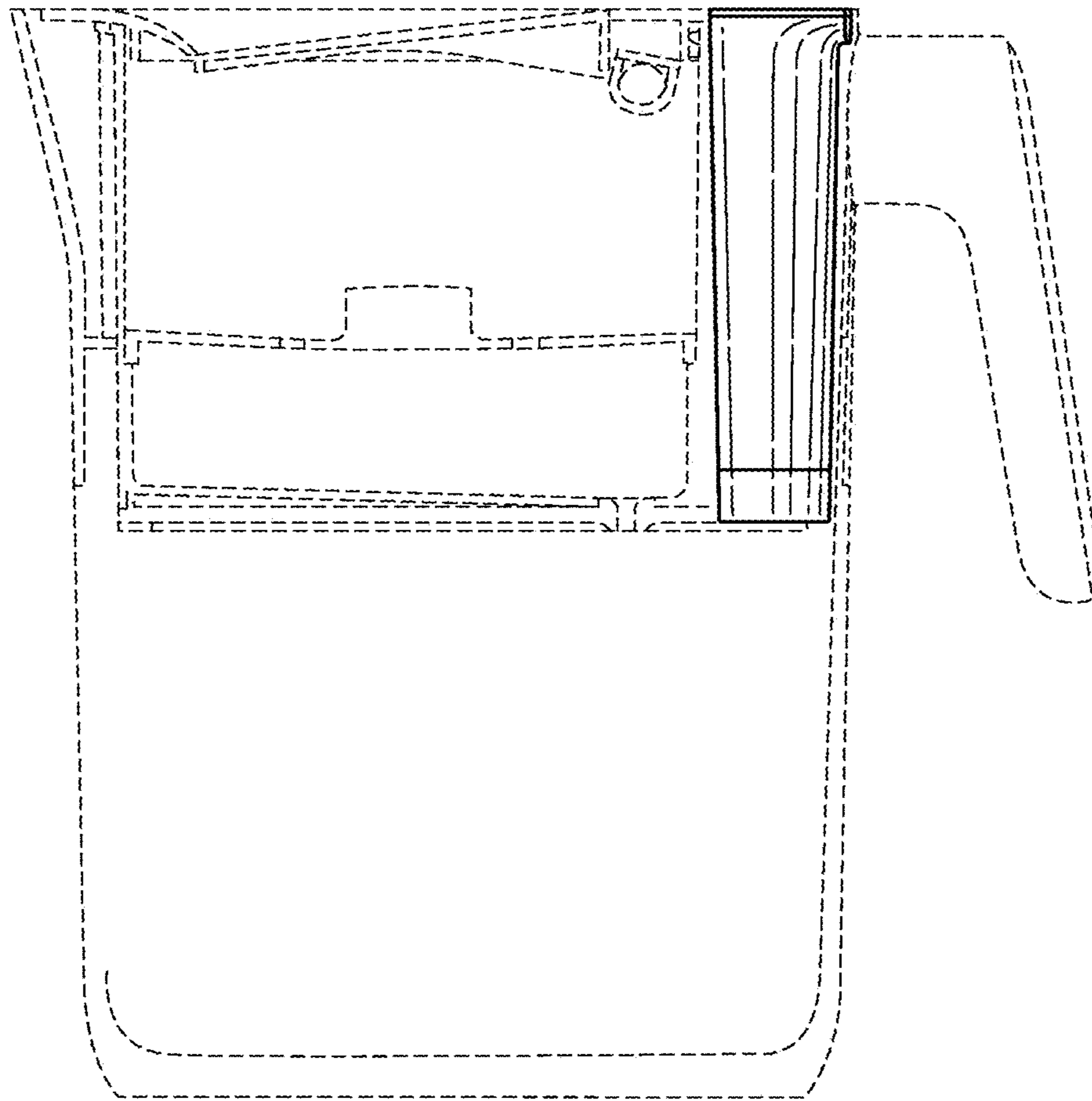


FIG. 13

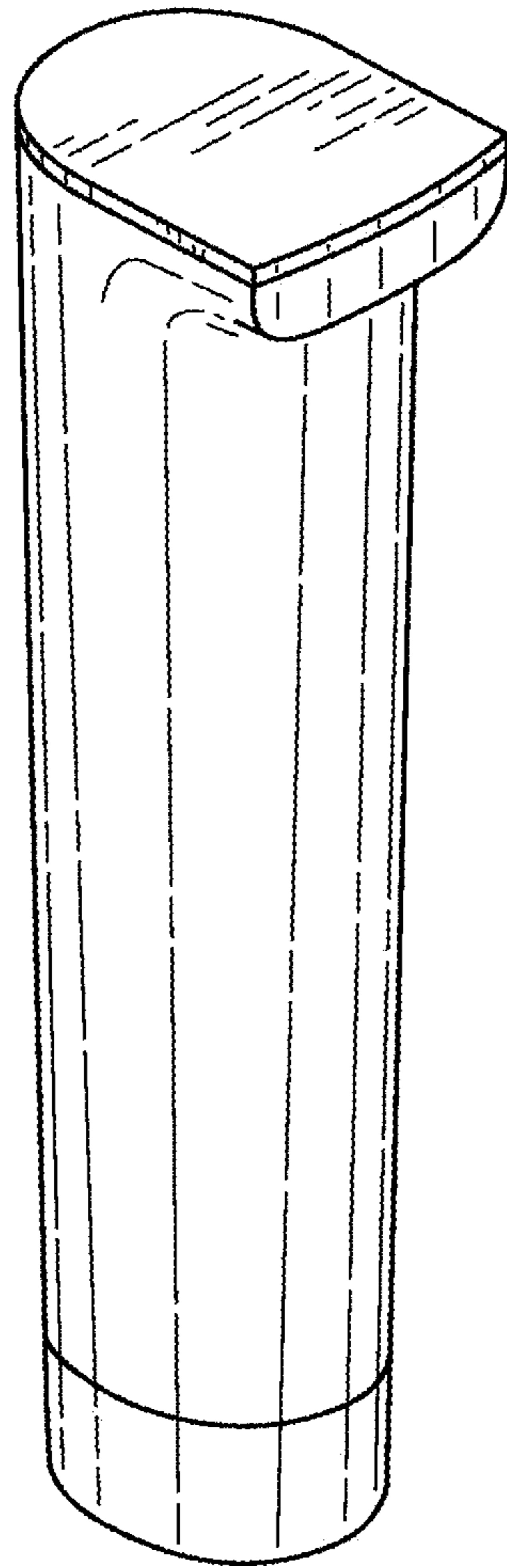


FIG. 14

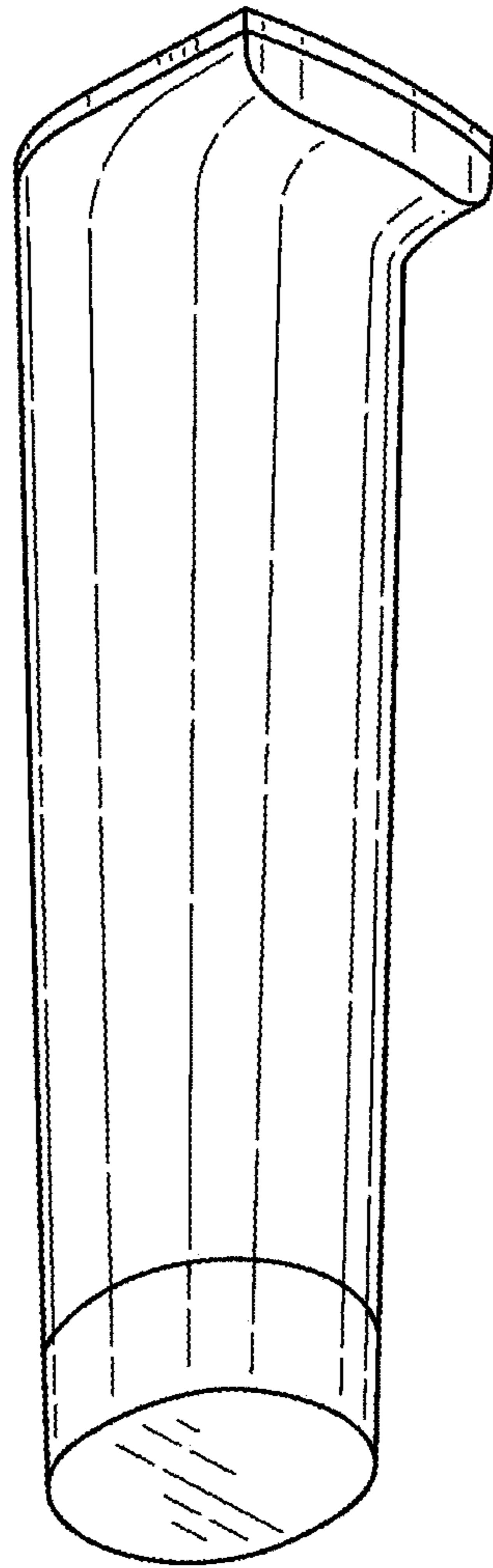


FIG. 15

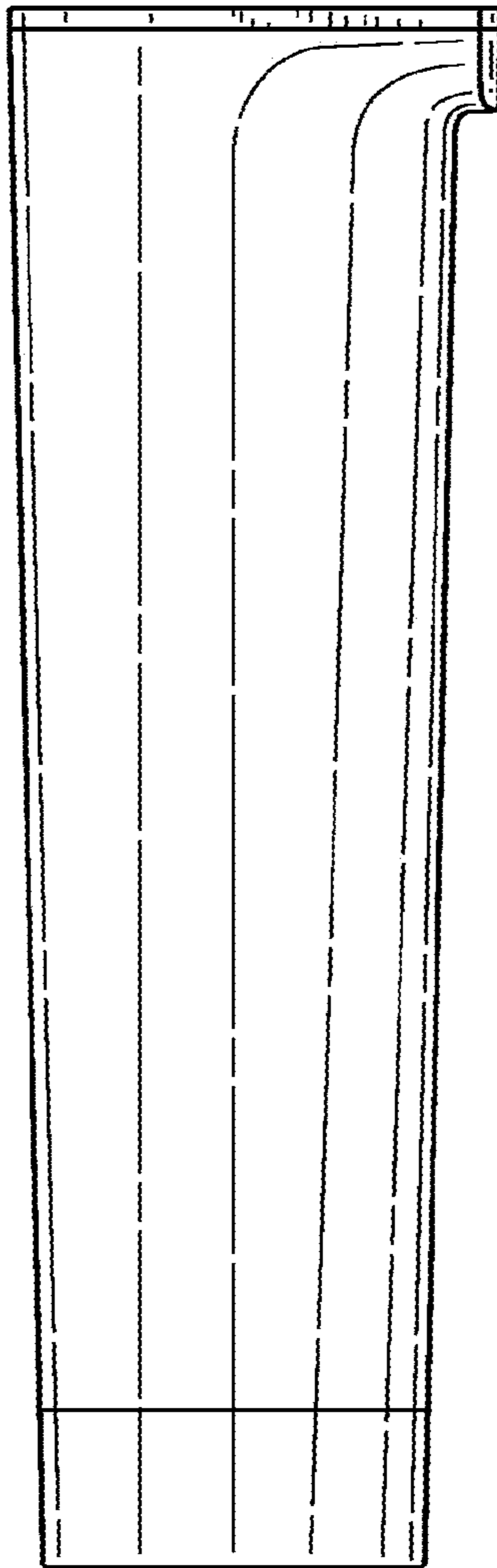


FIG. 16

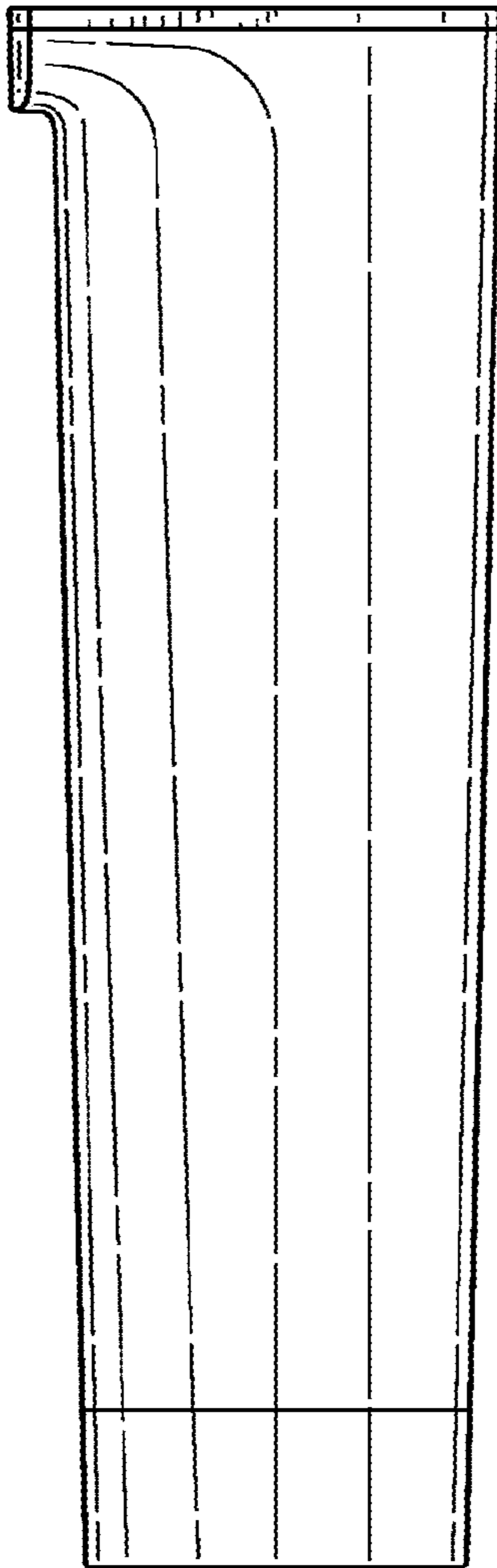


FIG. 17

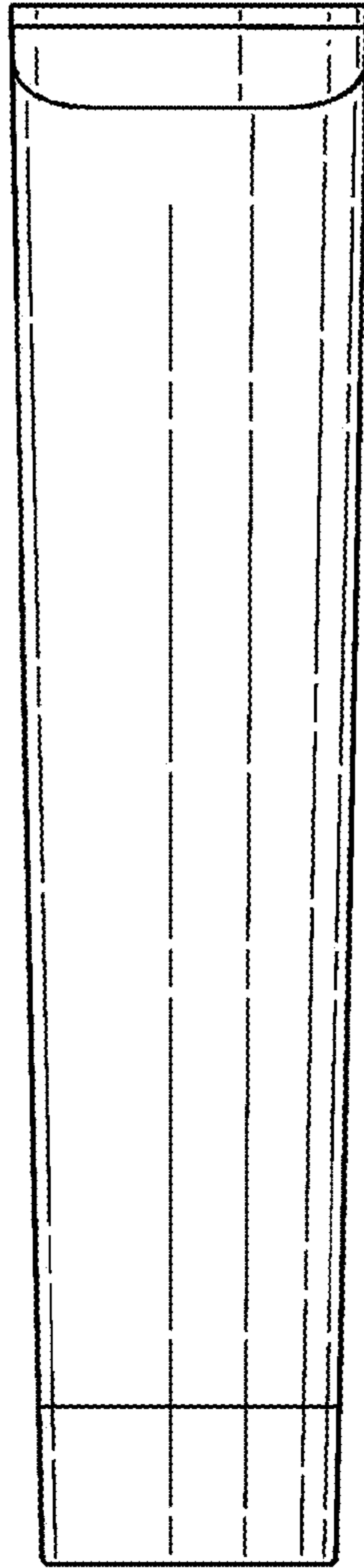


FIG. 18

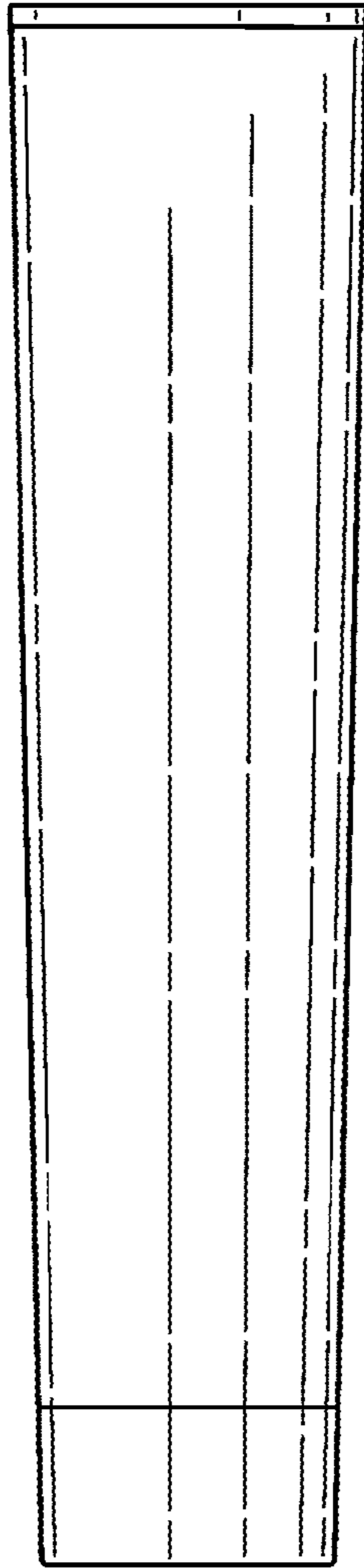


FIG. 19

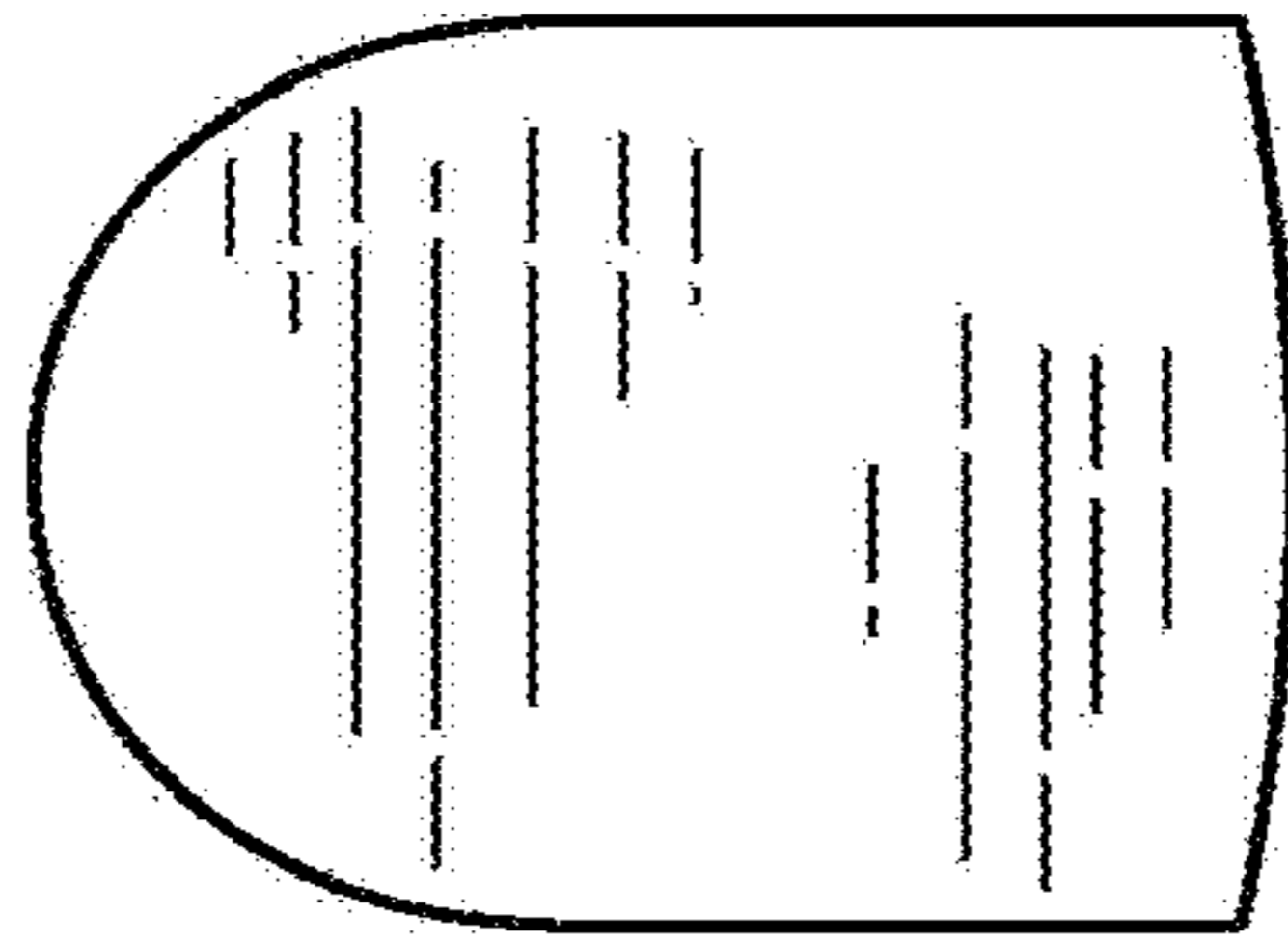


FIG. 20

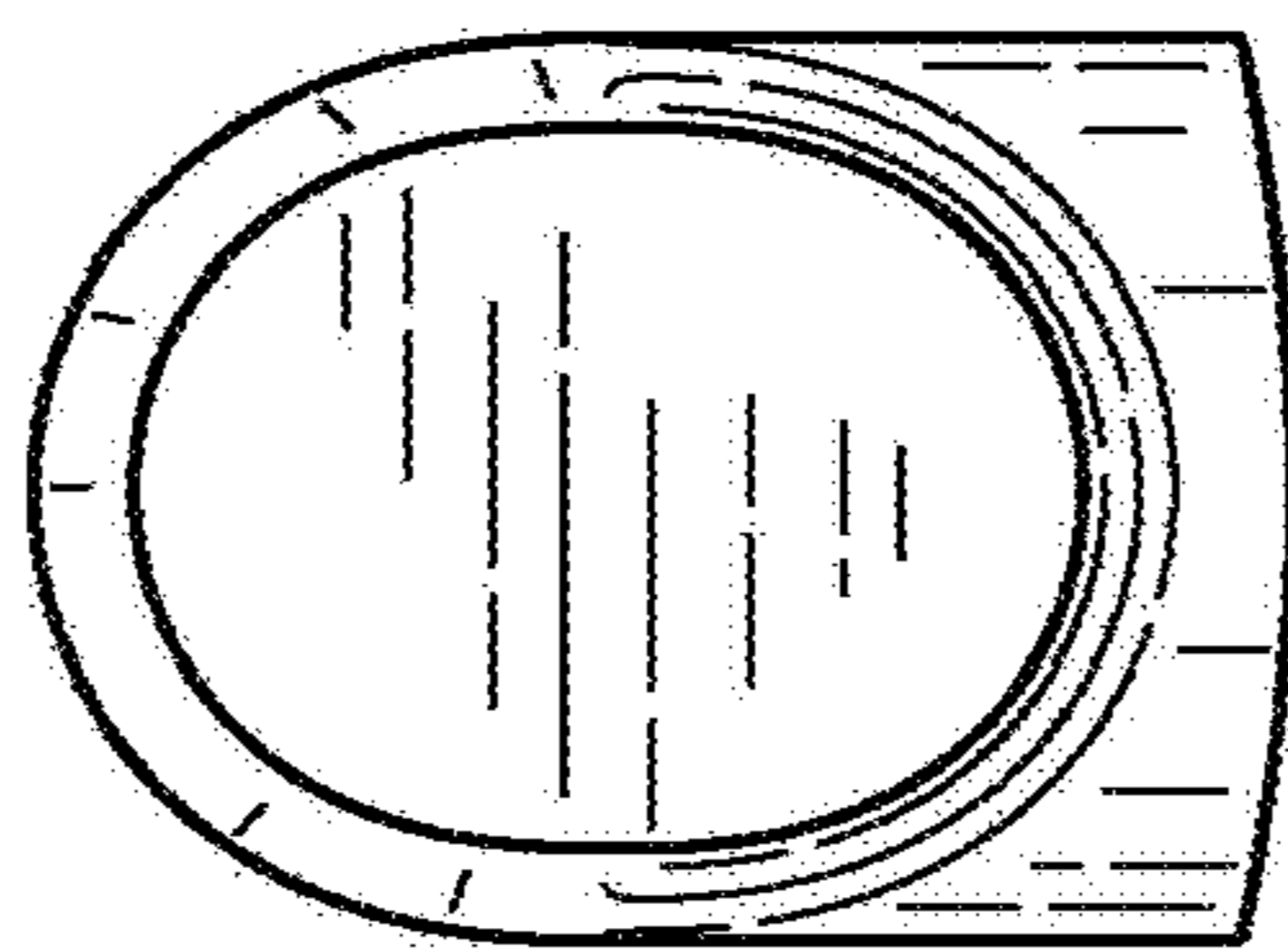


FIG. 21