



US00D969270S

(12) **United States Design Patent** (10) **Patent No.:** **US D969,270 S**
McCollough et al. (45) **Date of Patent:** **** Nov. 8, 2022**

(54) **FILTER CARTRIDGE**

FOREIGN PATENT DOCUMENTS

(71) Applicant: **ELECTROLUX HOME PRODUCTS, INC.**, Charlotte, NC (US)

CN 203476567 U 3/2014
DE 102006044744 A1 3/2008

(Continued)

(72) Inventors: **Thomas W. McCollough**, Anderson, SC (US); **William Thomas Annis, III**, Simpsonville, SC (US); **Willard Grant**, Williamston, SC (US); **Raony Barrios**, Anderson, SC (US); **William L. Small**, Belton, SC (US); **Marcello Correa Machado**, Anderson, SC (US); **Christopher Stephan Rousey**, Anderson, SC (US); **Ramesh Subramanian**, Charlotte, NC (US); **Josh Hanson**, Huntersville, NC (US); **Robert Astle**, Middlefield, CT (US); **George Nicholas Lauri, III**, Windsor, CT (US)

OTHER PUBLICATIONS

Electrolux Home Products, Inc., Chinese Design Patent Application No. 202030228864.5, Office Action, dated Aug. 13, 2020.

(Continued)

Primary Examiner — Karen S Acker
Assistant Examiner — Jonathan E. Fiencke
(74) *Attorney, Agent, or Firm* — Moore & Van Allen PLLC; Peter B. Stewart

(57) **CLAIM**

The ornamental design for a filter cartridge, as shown and described.

(73) Assignee: **ELECTROLUX HOME PRODUCTS, INC.**, Charlotte, NC (US)

DESCRIPTION

(**) Term: **15 Years**

(21) Appl. No.: **29/713,707**

(22) Filed: **Nov. 18, 2019**

(51) **LOC (13) Cl.** **23-01**

(52) **U.S. Cl.**
USPC **D23/209**

(58) **Field of Classification Search**
USPC D23/207, 209, 213, 259, 262, 265, 365
(Continued)

FIG. 1 is a bottom perspective view of a filter cartridge; FIG. 2 is a front perspective view of the filter cartridge of FIG. 1; FIG. 3 is a front view of the filter cartridge of FIG. 1; FIG. 4 is a back view of the filter cartridge of FIG. 1; FIG. 5 is a right side view of the filter cartridge of FIG. 1; FIG. 6 is a left side view of the filter cartridge of FIG. 1; FIG. 7 is a top view of the filter cartridge of FIG. 1; FIG. 8 is a bottom view of the filter cartridge of FIG. 1; FIG. 9 is an enlarged detail view of area 9 circumscribed within FIG. 1; FIG. 10 is an enlarged detail view of area 10 circumscribed within FIG. 3; and, FIG. 11 is an enlarged bottom view of the filter cartridge of FIG. 1.

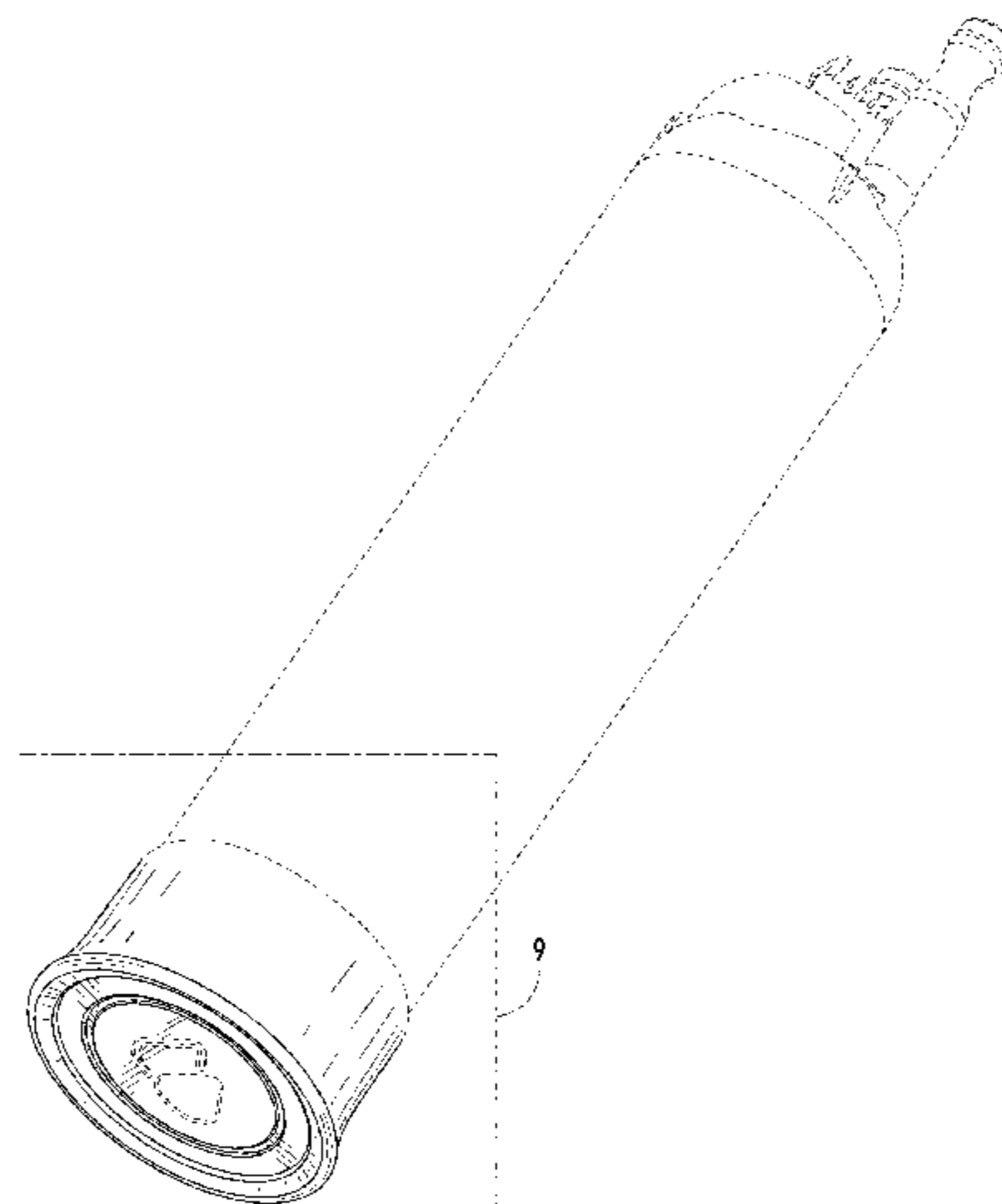
The surface shading illustrated in the drawings is provided to highlight the contour of the design; it is not intended to be illustrative of texture or gloss. The evenly spaced broken lines and unshaded areas depict portions of the filter cartridge that form no part of the claimed design. The dot dash

(Continued)

(56) **References Cited**

U.S. PATENT DOCUMENTS

3,679,317 A 7/1972 Larson
3,694,603 A 9/1972 Congelliere
(Continued)



dot broken lines in FIGS. 1, 3, 9 and 10 denote the boundaries of the detail areas and form no part of the claim.

1 Claim, 10 Drawing Sheets

(58) **Field of Classification Search**

CPC B01D 35/30; B01D 35/153; B01D 29/111;
B01D 2201/296; C02F 1/003

See application file for complete search history.

(56) **References Cited**

U.S. PATENT DOCUMENTS

4,308,440	A	12/1981	Buttner	
4,392,029	A	7/1983	Schaad et al.	
5,022,986	A	6/1991	Lang	
5,035,797	A	7/1991	Janik	
5,135,645	A	8/1992	Sklenak et al.	
5,147,722	A	9/1992	Koslow	
5,700,371	A	12/1997	Koslow	
5,914,037	A	6/1999	Fen	
D438,214	S *	2/2001	Gieseke	D15/5
6,306,290	B1	10/2001	Rolfes	
6,331,037	B1	12/2001	Roscher et al.	
6,595,371	B1	7/2003	Desmarais	
6,630,016	B2	10/2003	Koslow	
6,632,355	B2	10/2003	Fritze	
D494,654	S	8/2004	Macaulay et al.	
6,797,167	B2	9/2004	Koslow	
6,835,311	B2	12/2004	Koslow	
6,872,311	B2	3/2005	Koslow	
8,137,551	B1	3/2012	Huda et al.	
8,366,930	B2	2/2013	Huda et al.	
8,673,146	B2	3/2014	Huda et al.	
D731,616	S *	6/2015	Zou	D23/209
9,199,202	B2	12/2015	Maggiore et al.	
9,233,322	B1	1/2016	Huda et al.	
D759,790	S *	6/2016	Baird	D23/209
D760,868	S *	7/2016	Lu	D23/209
D774,623	S *	12/2016	Lu	D23/209
D784,492	S *	4/2017	Lu	D23/209
D788,879	S *	6/2017	Zou	D23/209
D803,980	S *	11/2017	Zou	D23/209
D818,083	S *	5/2018	Dishman	D23/209
D820,386	S *	6/2018	Campbell	D23/209
D820,387	S *	6/2018	Campbell	D23/209
10,040,703	B2	8/2018	Huda et al.	
D827,767	S *	9/2018	Lu	F25D 23/126 D23/209
D831,154	S *	10/2018	Campbell	D23/209
D831,155	S *	10/2018	Campbell	D23/209
D831,156	S *	10/2018	Campbell	D23/209

10,087,085	B2	10/2018	Baird et al.	
D939,044	S *	12/2021	Liqin	D23/209
D943,705	S *	2/2022	Atwell	D23/207
D946,697	S *	3/2022	Deng	D23/207
D946,701	S *	3/2022	McCullough	D23/209
D946,703	S *	3/2022	McCullough	D23/209
D948,661	S *	4/2022	Zou	D23/209
D952,802	S *	5/2022	Haynes	D23/259
2002/0185425	A1	12/2002	Bassett et al.	
2003/0024860	A1	2/2003	Fritze	
2004/0104161	A1	6/2004	Gaignet et al.	
2004/0119297	A1	6/2004	Bella et al.	
2005/0051487	A1	3/2005	Koslow	
2005/0111827	A1	5/2005	Sullivan	
2005/0252841	A1	11/2005	Bassett et al.	
2006/0000761	A1	1/2006	Choi et al.	
2006/0151371	A1	7/2006	Weinberger et al.	
2007/0199876	A1	8/2007	Tubby et al.	
2008/0047889	A1	2/2008	Huda	
2009/0093752	A1	4/2009	Richard et al.	
2015/0258476	A1	9/2015	Boyce et al.	
2015/0306526	A1	10/2015	Huda et al.	
2016/0074783	A1	3/2016	Huda et al.	
2016/0082392	A1	3/2016	Huda et al.	
2016/0175743	A1 *	6/2016	Baird	B01D 35/153 210/435
2018/0214804	A1	8/2018	Dishman	
2019/0134543	A1	5/2019	Huda et al.	
2020/0108338	A1	4/2020	Astle et al.	

FOREIGN PATENT DOCUMENTS

KR	200415015	Y1	4/2006
KR	200428894	Y1	10/2006
KR	100804302	B1	2/2008

OTHER PUBLICATIONS

KX Technologies LLC, International Application No. PCT/US2020/050134, International Search Report and Written Opinion, dated Dec. 10, 2020.

KX Technologies LLC, International Application No. PCT/US2020/050156, International Search Report and Written Opinion, dated Jan. 26, 2021.

Electrolux Home Products, Inc., International Application No. PCT/US2020/050376, International Search Report and Written Opinion, dated Feb. 22, 2021.

U.S. Appl. No. 16/687,227, Office Action, dated Dec. 23, 2020.

U.S. Appl. No. 16/687,214, Office Action, dated Jan. 21, 2021.

U.S. Appl. No. 16/687,243, Office Action, dated Mar. 16, 2021.

Electrolux Home Products, Inc., Canadian Design Application No. 195766, Examination Report, dated Nov. 9, 2021.

* cited by examiner

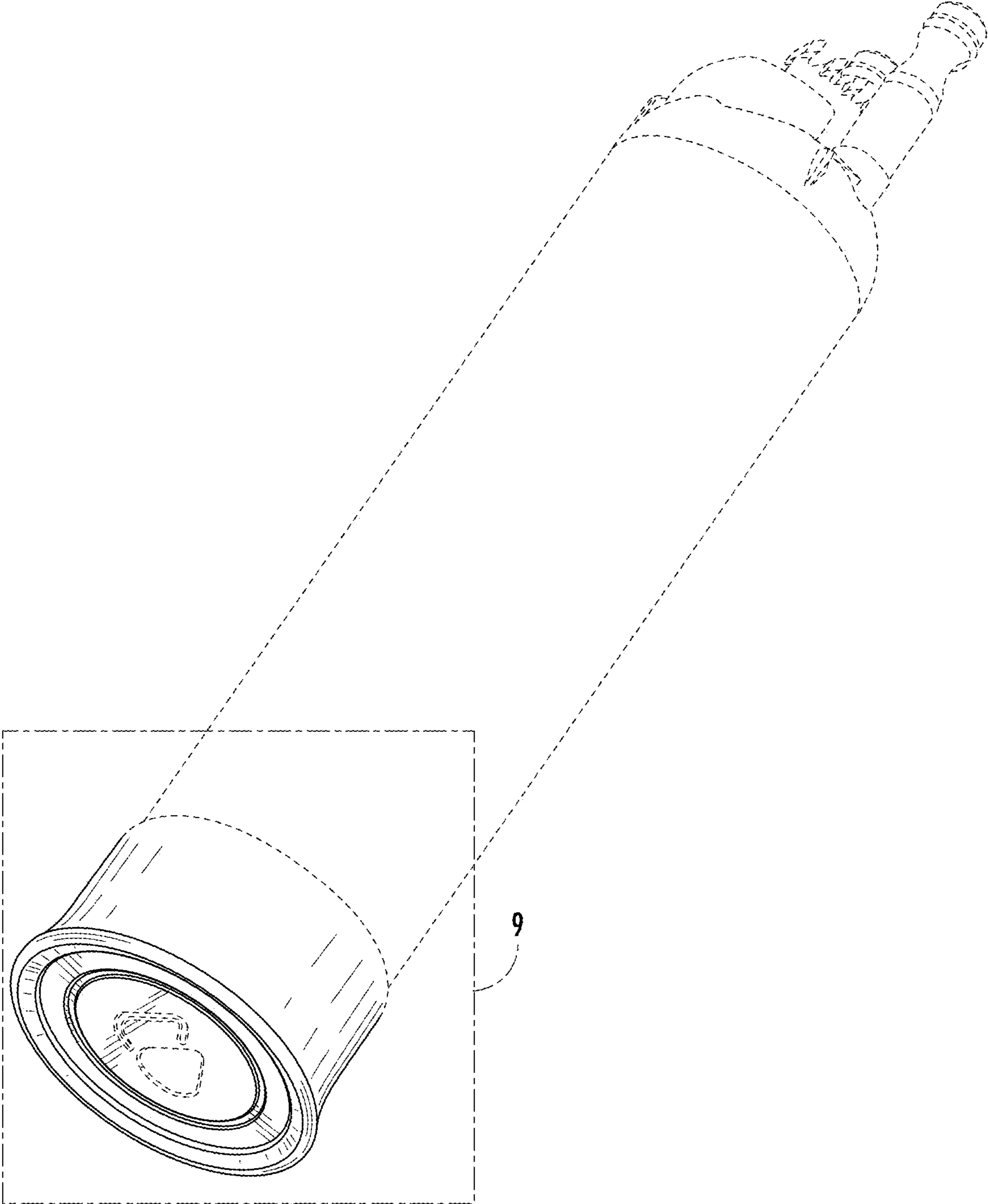


FIG. 1

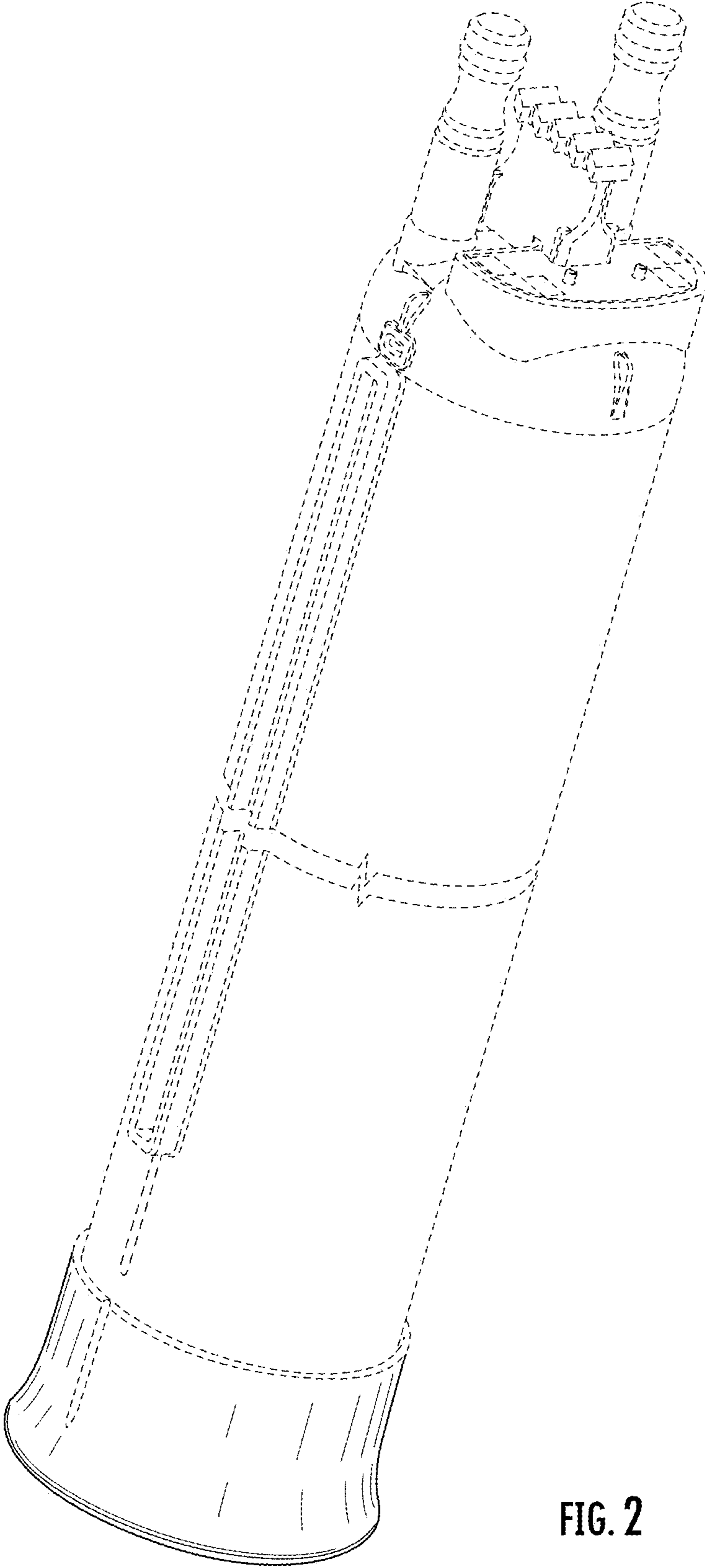


FIG. 2

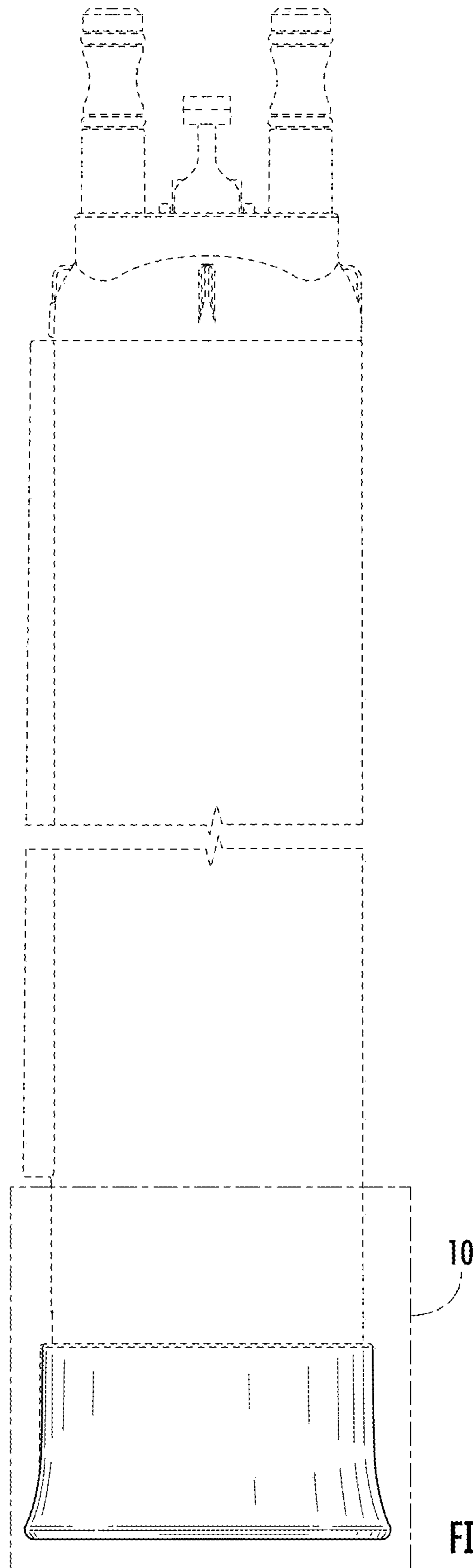


FIG. 3

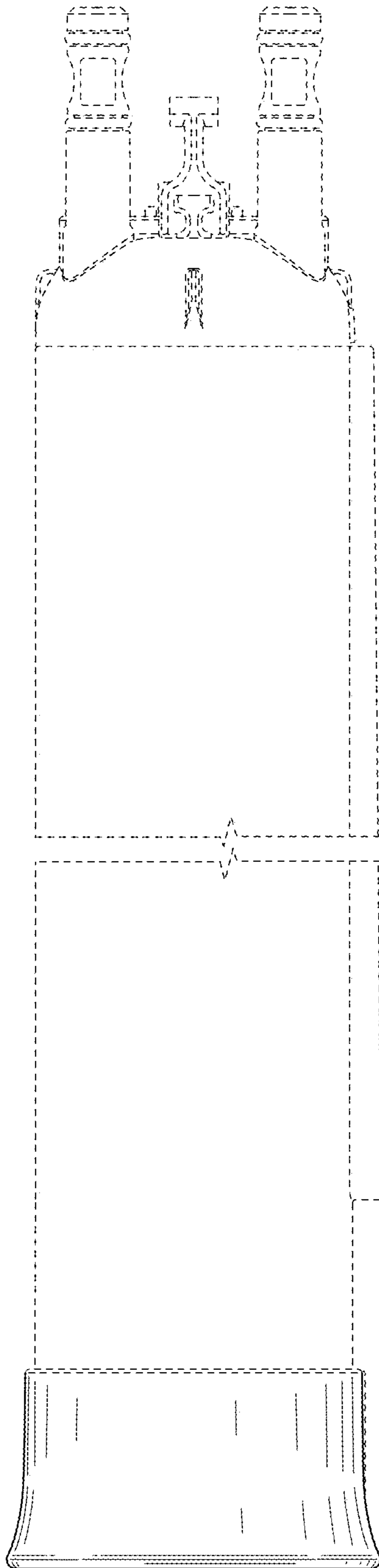


FIG. 4

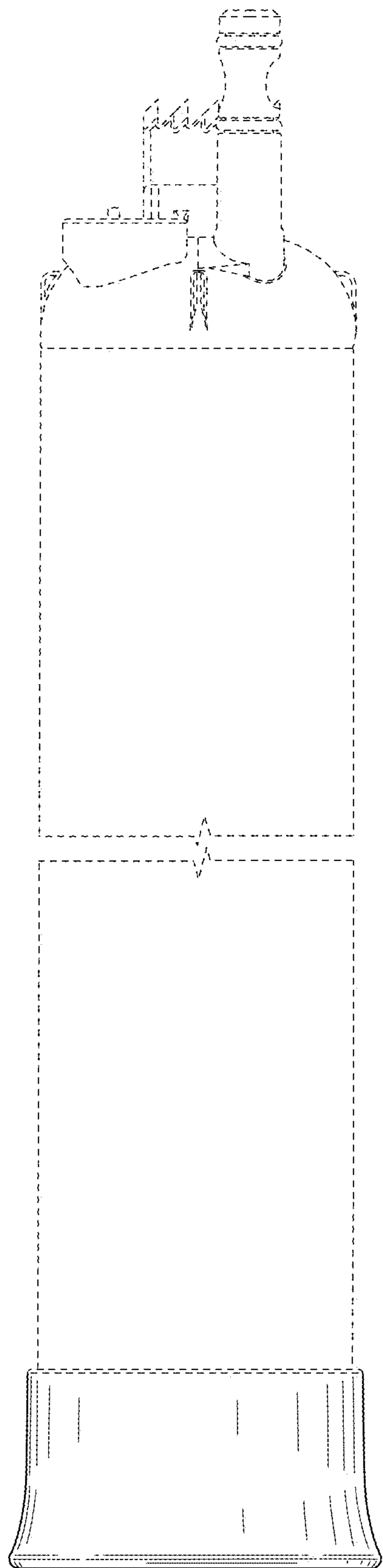


FIG. 5

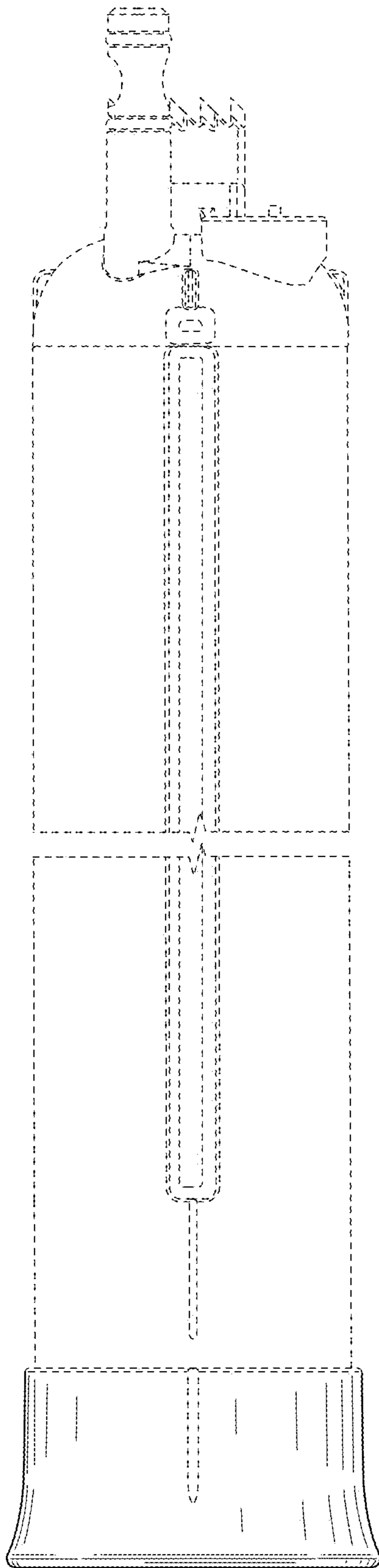


FIG. 6

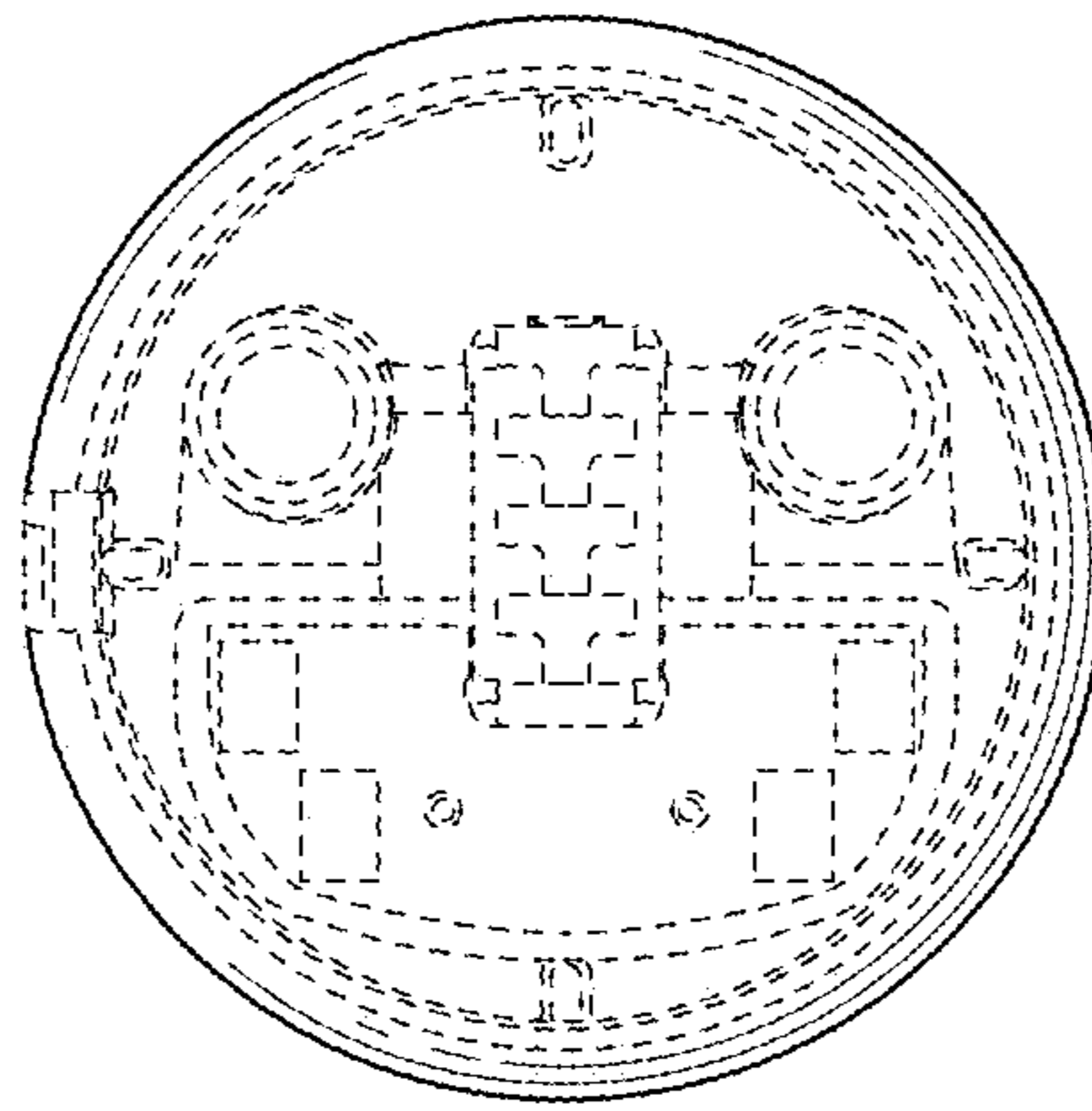


FIG. 7

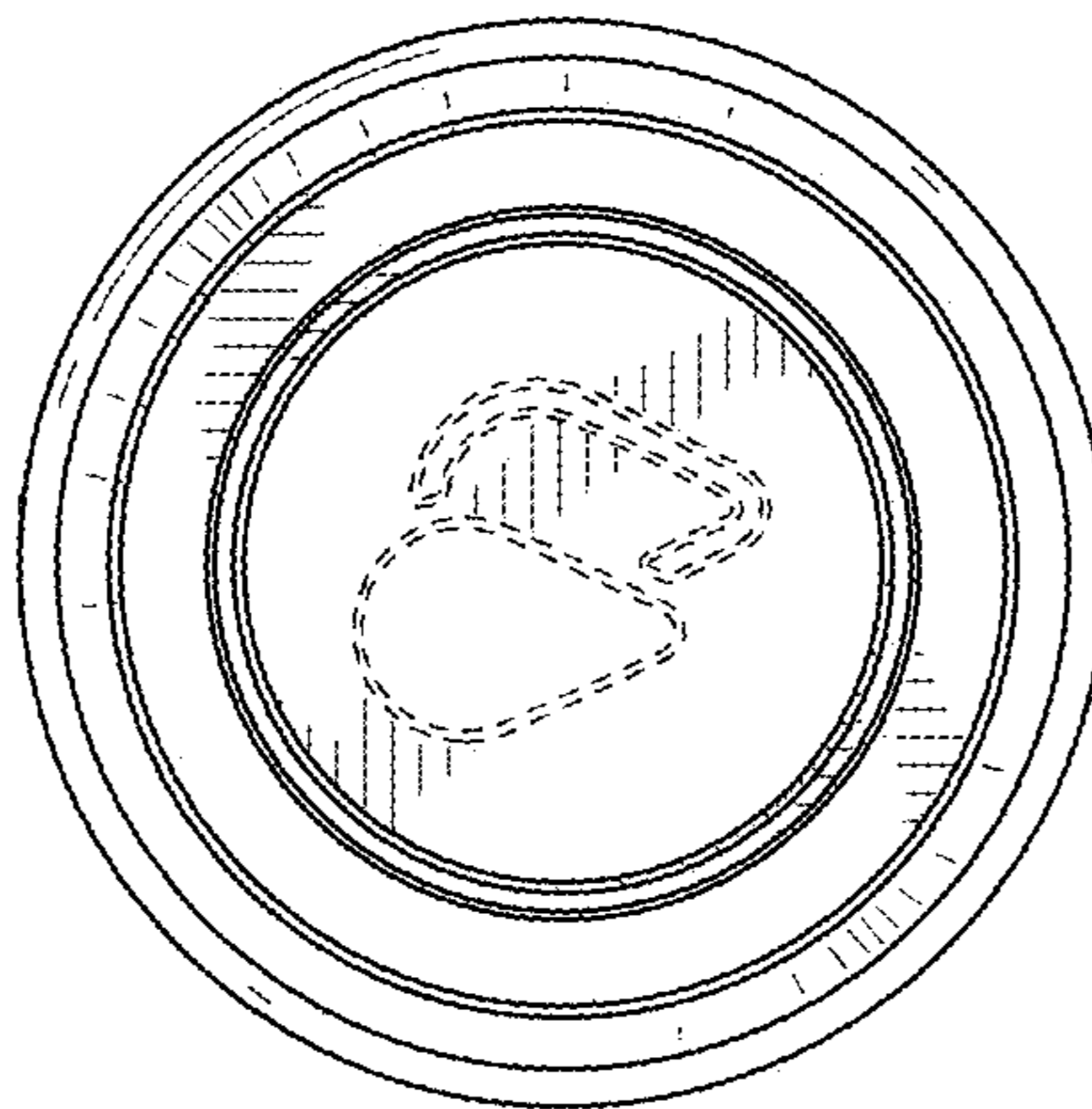


FIG. 8

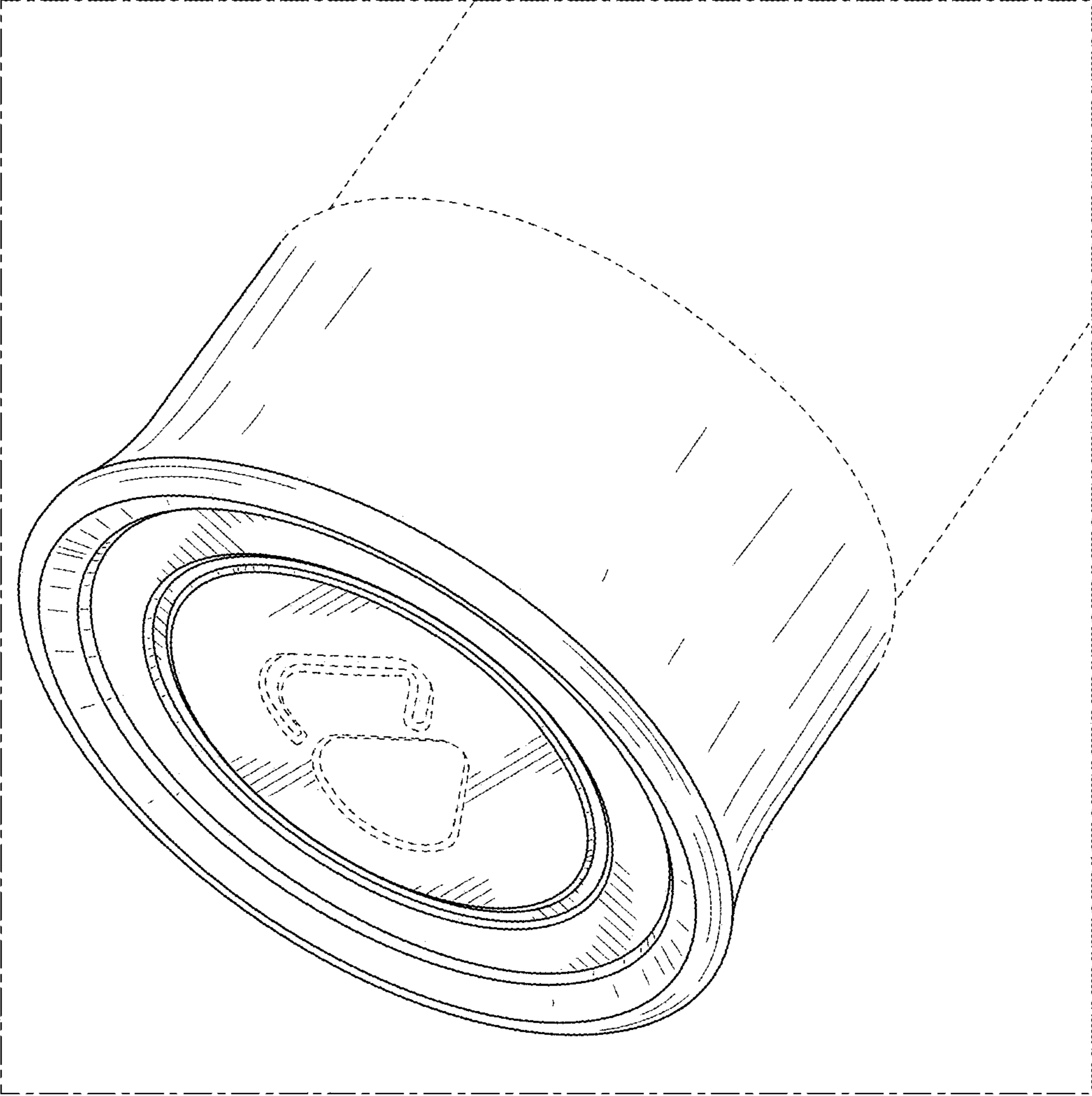


FIG. 9

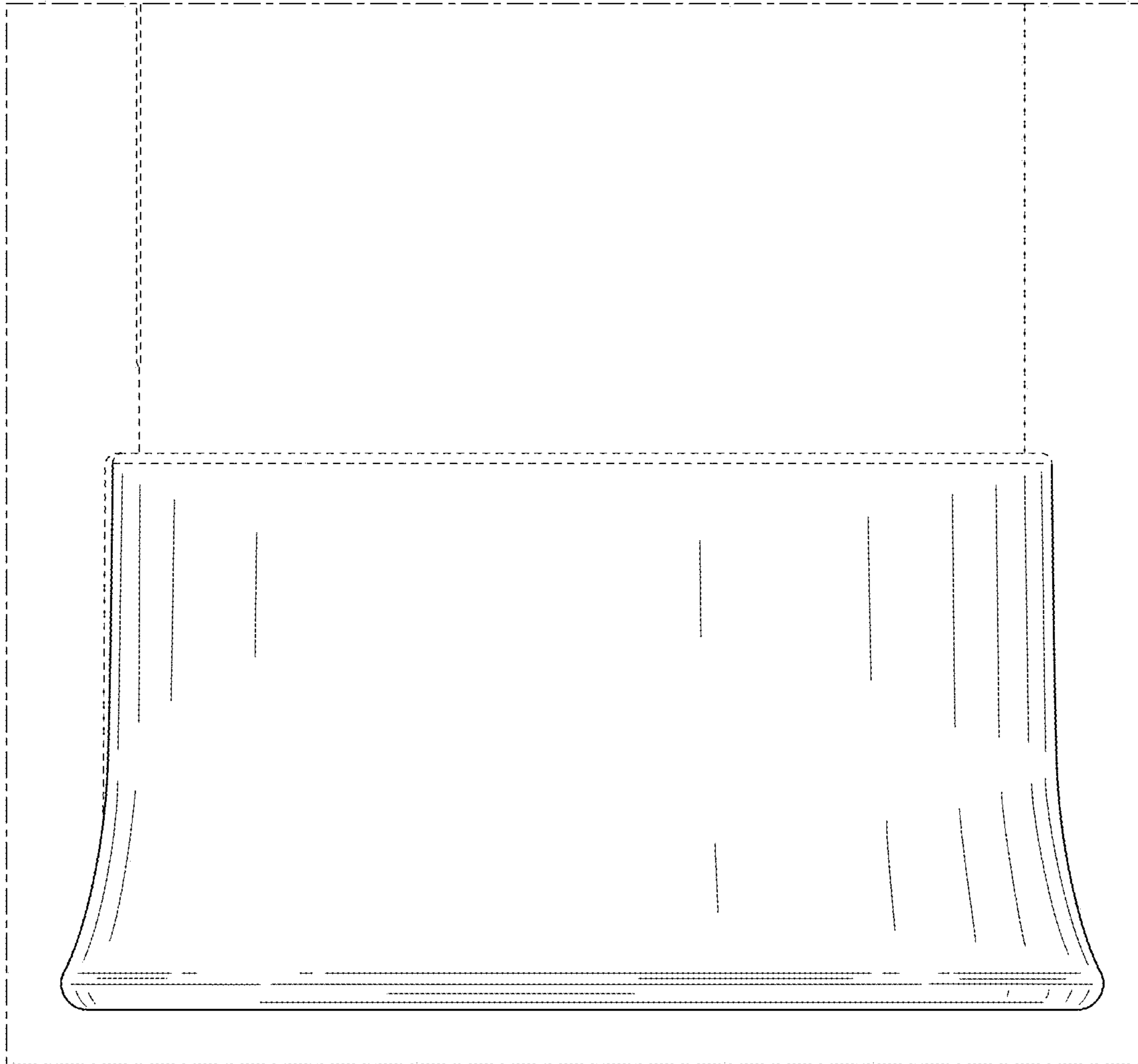


FIG. 10



FIG. 11

UNITED STATES PATENT AND TRADEMARK OFFICE
CERTIFICATE OF CORRECTION

PATENT NO. : D969,270 S
APPLICATION NO. : 29/713707
DATED : November 8, 2022
INVENTOR(S) : Thomas W. McCollough et al.

Page 1 of 1

It is certified that error appears in the above-identified patent and that said Letters Patent is hereby corrected as shown below:

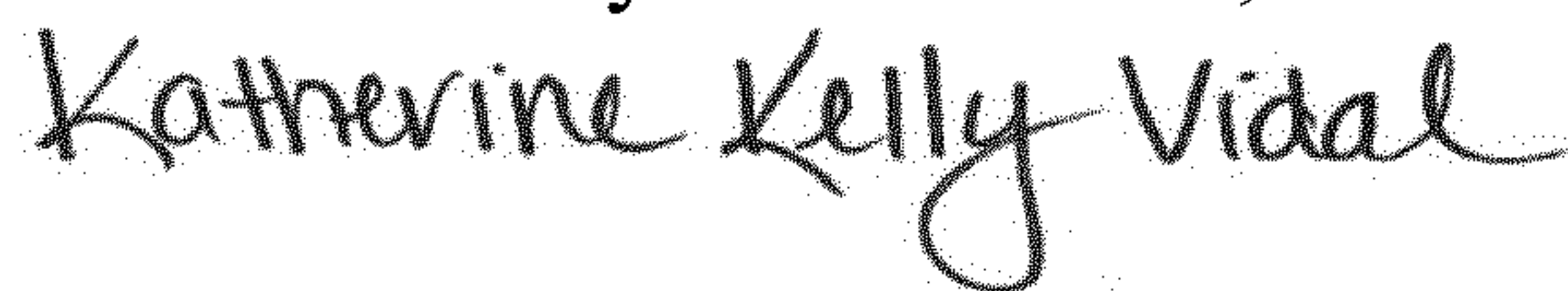
On the Title Page

IN THE DESCRIPTION:

The following text should be inserted as the first paragraph of the Description
--To supplement the present disclosure, this application further incorporates entirely by reference the following commonly assigned design patent applications:

U.S. Design Patent Application Ser. No.	Title	Filed On
29/713,699	Filter Cartridge	Concurrently Herewith
29/713,701	Filter Cartridge	Concurrently Herewith
29/713,706	Filter Cartridge	Concurrently Herewith
29/713,708	Filter Cartridge	Concurrently Herewith
29/713,709	Filter Cartridge	Concurrently Herewith
29/713,711	Filter Cartridge	Concurrently Herewith
29/713,712	Filter Cartridge	Concurrently Herewith

Signed and Sealed this
Twentieth Day of December, 2022



Katherine Kelly Vidal
Director of the United States Patent and Trademark Office