



US00D969269S

(12) **United States Design Patent**
Tran

(10) **Patent No.:** **US D969,269 S**

(45) **Date of Patent:** **** Nov. 8, 2022**

(54) **POOL CHLORINE DISPENSING BOAT**

(71) Applicant: **David Tran**, Orange, CA (US)

(72) Inventor: **David Tran**, Orange, CA (US)

(73) Assignee: **Roundrock Group, LLC**, Orange, CA (US)

(**) Term: **15 Years**

(21) Appl. No.: **29/737,370**

(22) Filed: **Jun. 8, 2020**

(51) **LOC (13) Cl.** **23-01**

(52) **U.S. Cl.**
USPC **D23/208**

(58) **Field of Classification Search**
USPC D23/200, 202, 207, 208, 209, 210, 365;
D21/542, 543, 544, 546, 547
CPC C02F 1/688; C02F 2103/42; E04H 4/1209;
E04H 4/1263; E04H 4/1281
See application file for complete search history.

(56) **References Cited**

U.S. PATENT DOCUMENTS

D197,181 S *	12/1963	Markham	D21/544
4,217,331 A *	8/1980	Schaub	B01D 11/00
				D23/207
4,798,707 A *	1/1989	Thomas	C02F 1/688
				222/169
D397,398 S *	8/1998	Bro	D21/544
D451,155 S *	11/2001	Yamazaki	D21/544
D455,798 S *	4/2002	Yamazaki	D21/544
D526,043 S *	8/2006	Thompson	D23/208
7,922,982 B1 *	4/2011	Brennan	B01F 21/22
				210/242.1
D736,344 S *	8/2015	Chalifoux	D23/208
D745,947 S *	12/2015	Finley	D23/208

2012/0255893 A1 *	10/2012	Le Clair	B01F 21/22
				210/167.11
2014/0110352 A1 *	4/2014	King	C02F 1/688
				222/173
2021/0371309 A1 *	12/2021	Gallant	F21L 4/08

OTHER PUBLICATIONS

AquaAce Pirate Ship Floating Pool Chlorine Dispenser, Mar. 4, 2021, Amazon, site visited Jun. 13, 2022: <https://www.amazon.com/dp/B08D2XGPV6/> (Year: 2021).*

JED Pool Tools 10-459 Tug Boat Chlorinator, Aug. 7, 2014, Amazon, site visited Jun. 13, 2022: <https://www.amazon.ca/dp/B00DDT5M2Q/> (Year: 2014).*

Green Toys Tugboat, Nov. 20, 2019, Amazon, site visited Jun. 13, 2022: <https://www.amazon.com/dp/B081ZQK6C7/> (Year: 2019).*

* cited by examiner

Primary Examiner — Jack Reickel

Assistant Examiner — Bobby W Jones, II

(57) **CLAIM**

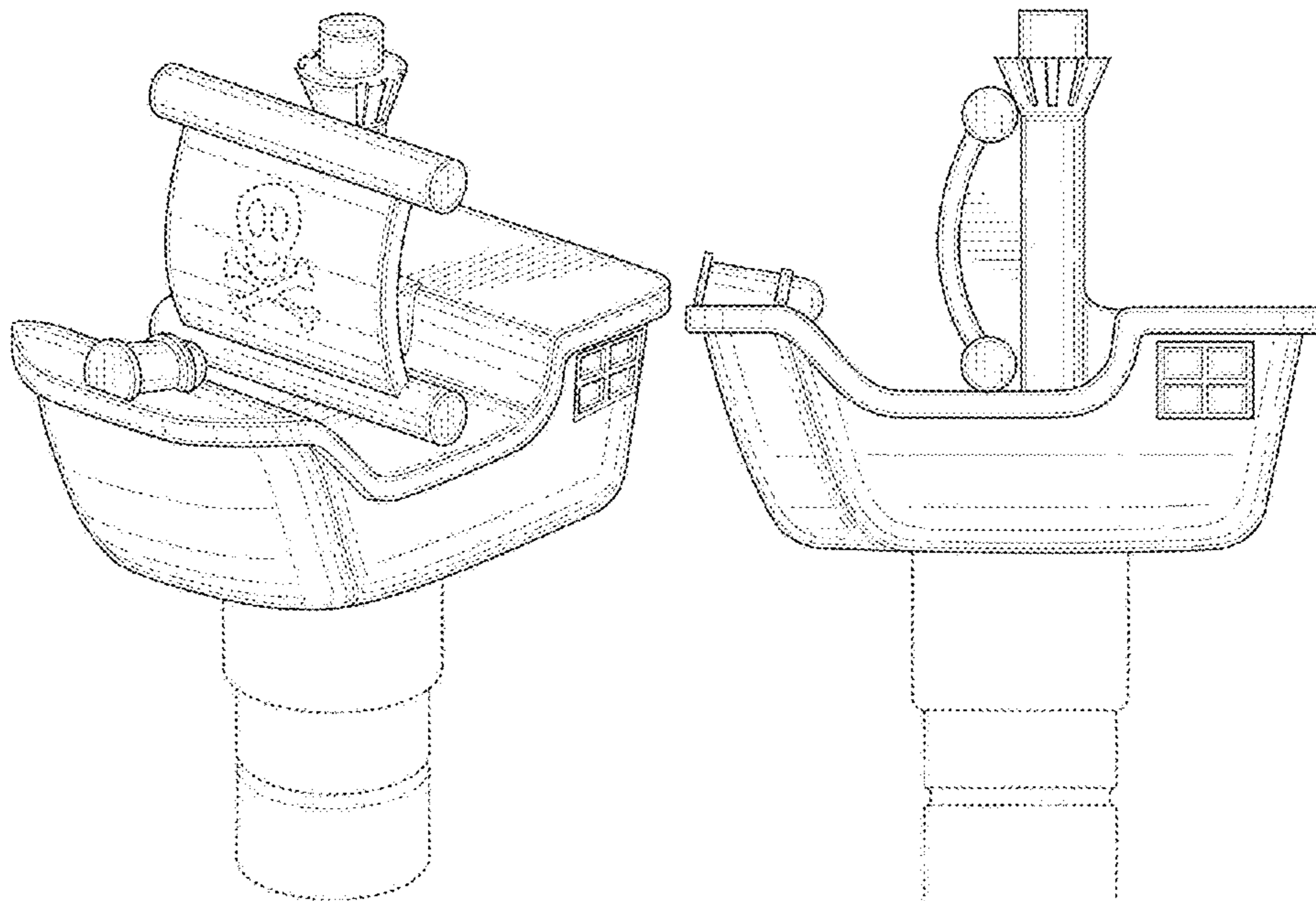
The ornamental design for a pool chlorine dispensing boat, as shown and described.

DESCRIPTION

FIG. 1 is an isometric perspective view of a pool chlorine dispensing boat;
FIG. 2 is a left side elevation view thereof;
FIG. 3 is a right side elevation view thereof;
FIG. 4 is a front perspective view thereof;
FIG. 5 is a rear perspective view thereof;
FIG. 6 is a top plan view thereof; and,
FIG. 7 is a bottom plan view thereof.

The broken line showing of a pool chlorine dispensing boat is include for the purpose of illustrating portions of the article and forms no part of the claimed design.

1 Claim, 6 Drawing Sheets



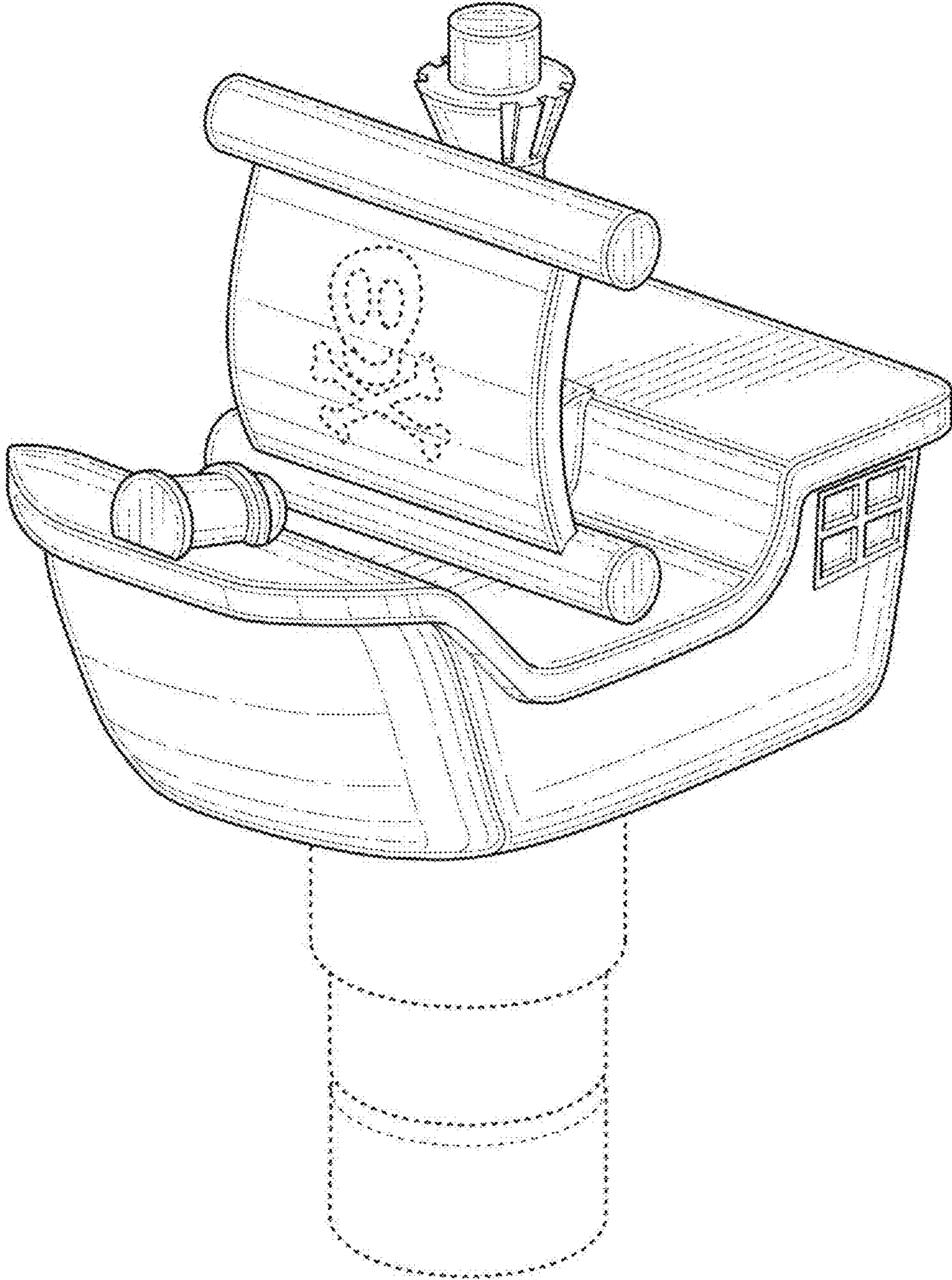


FIG. 1

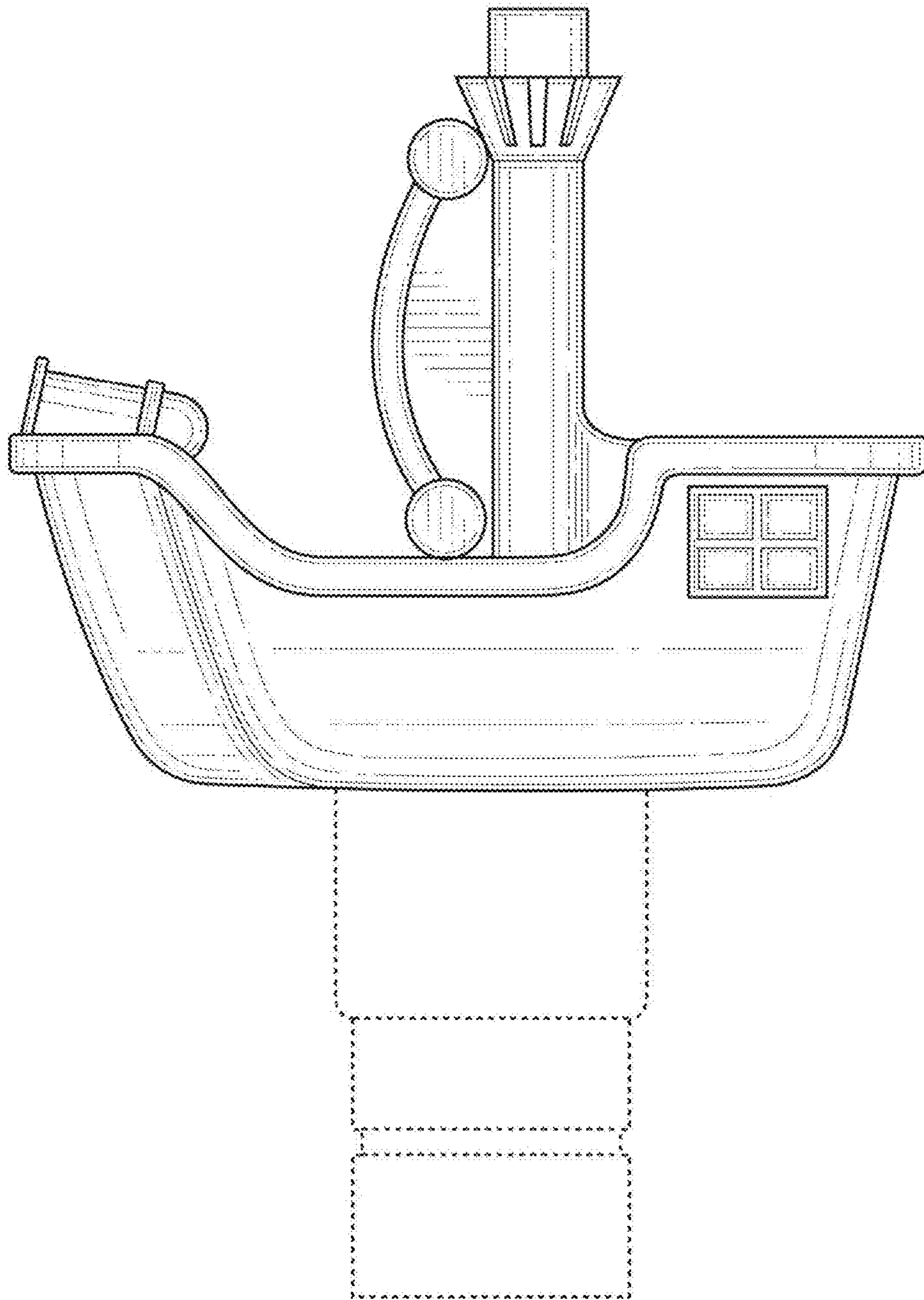


FIG. 2

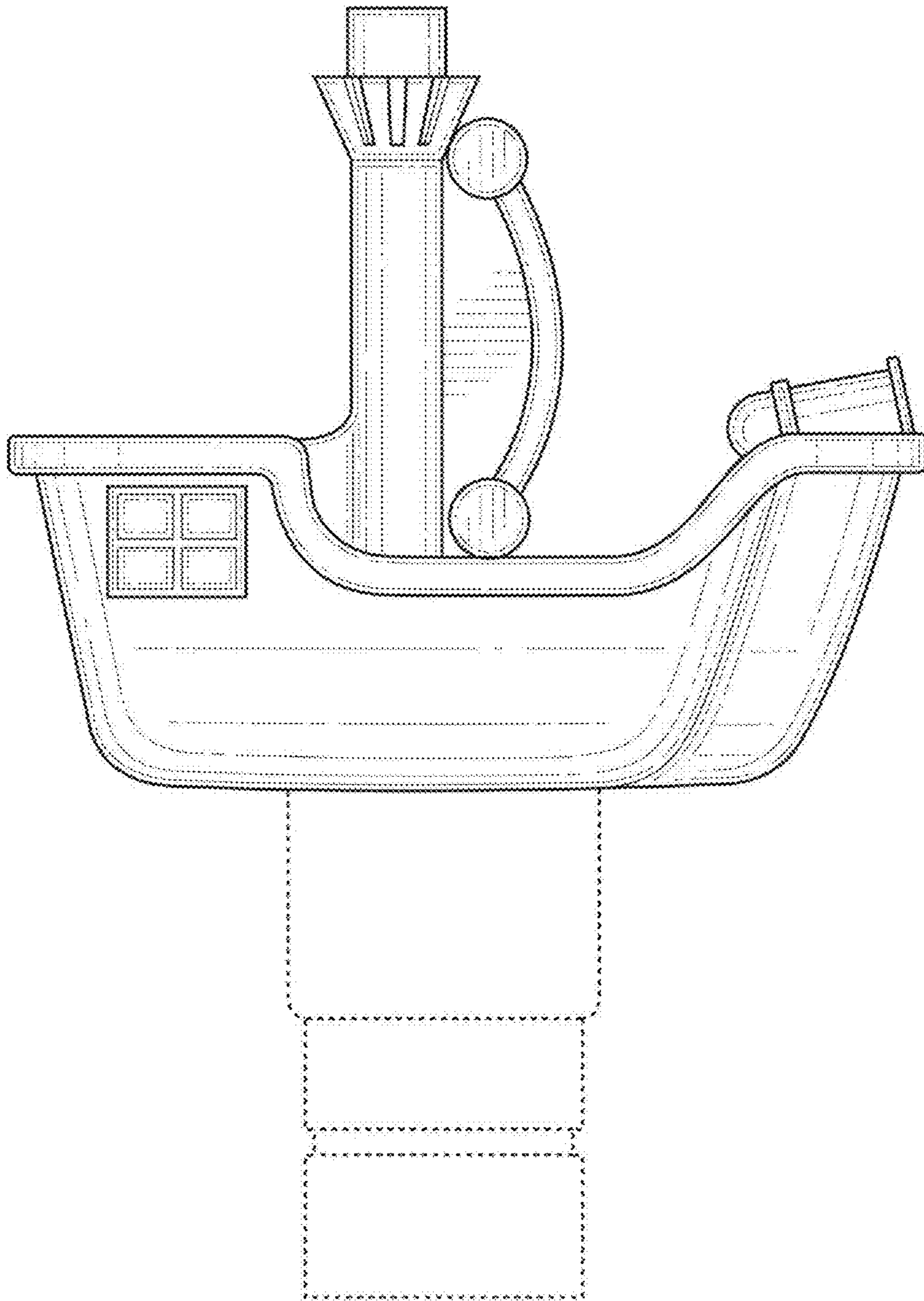


FIG. 3

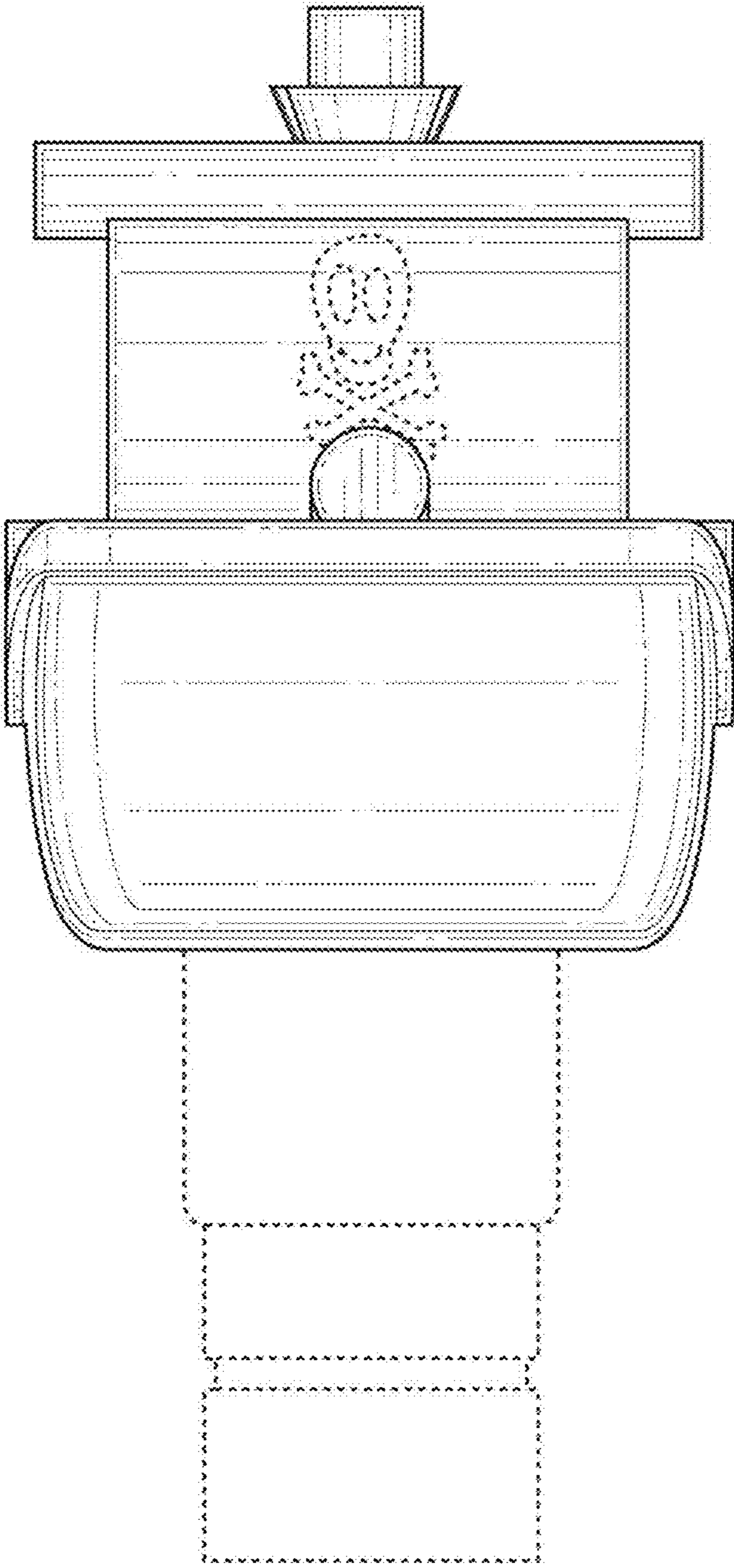


FIG. 4

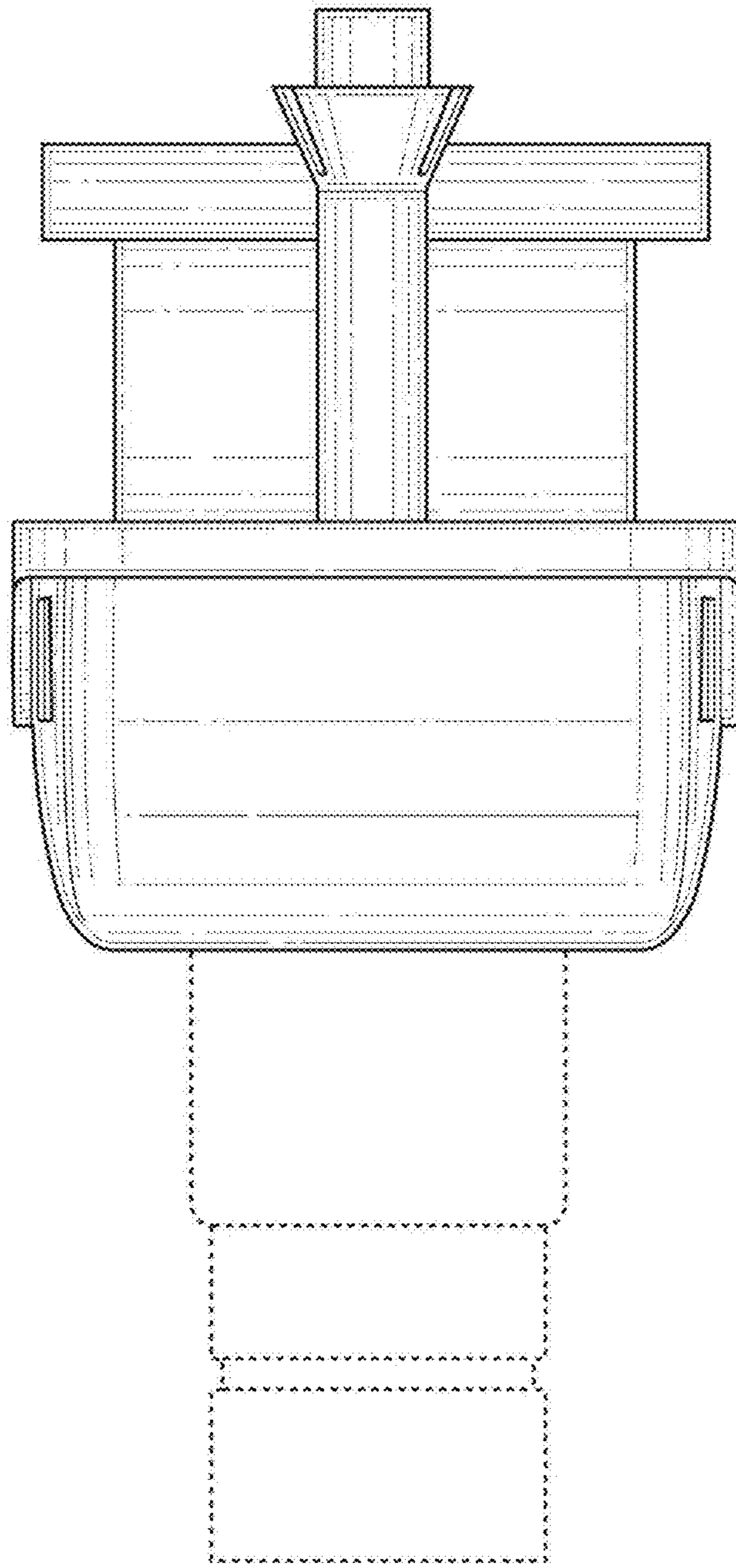


FIG. 5

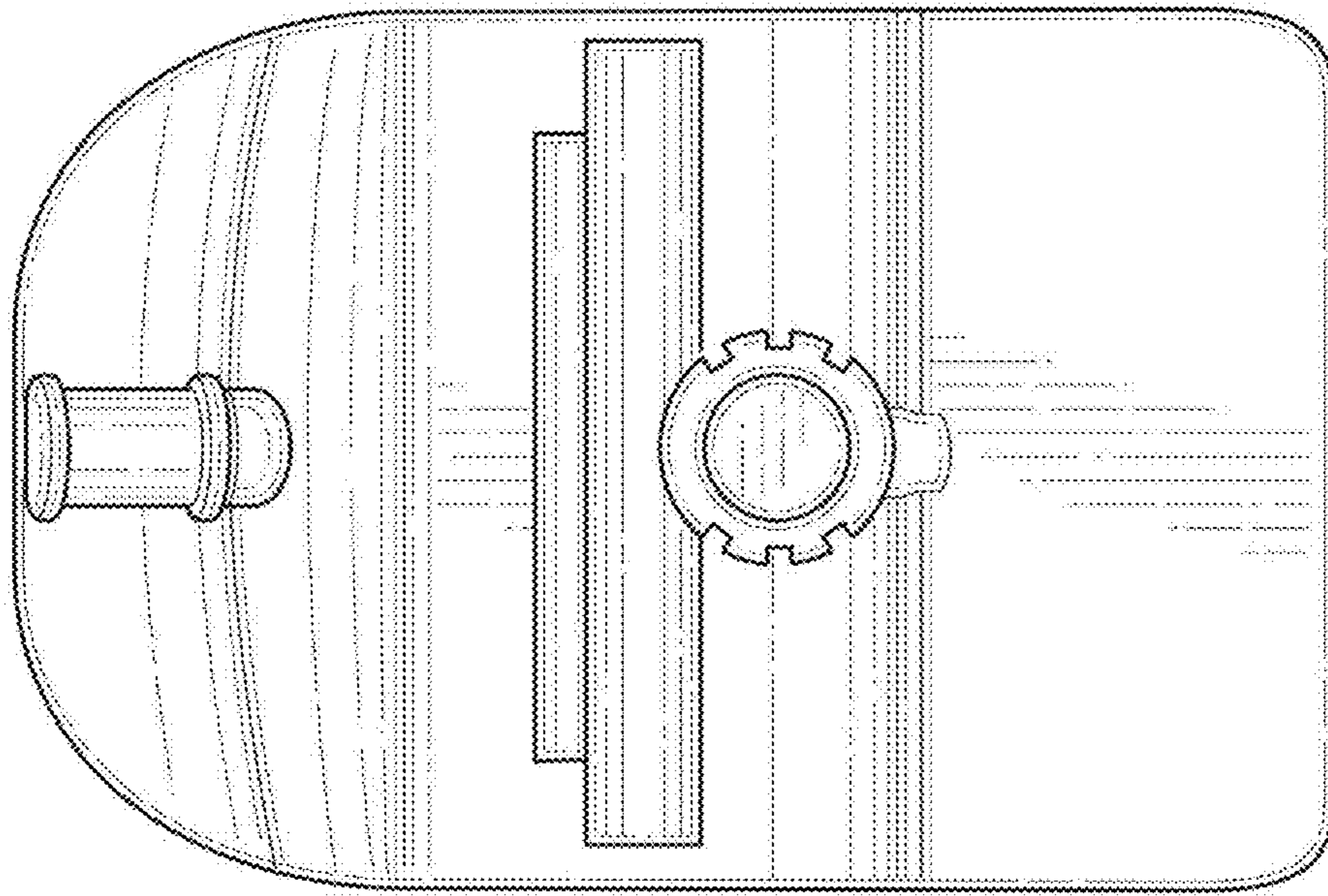


FIG. 6

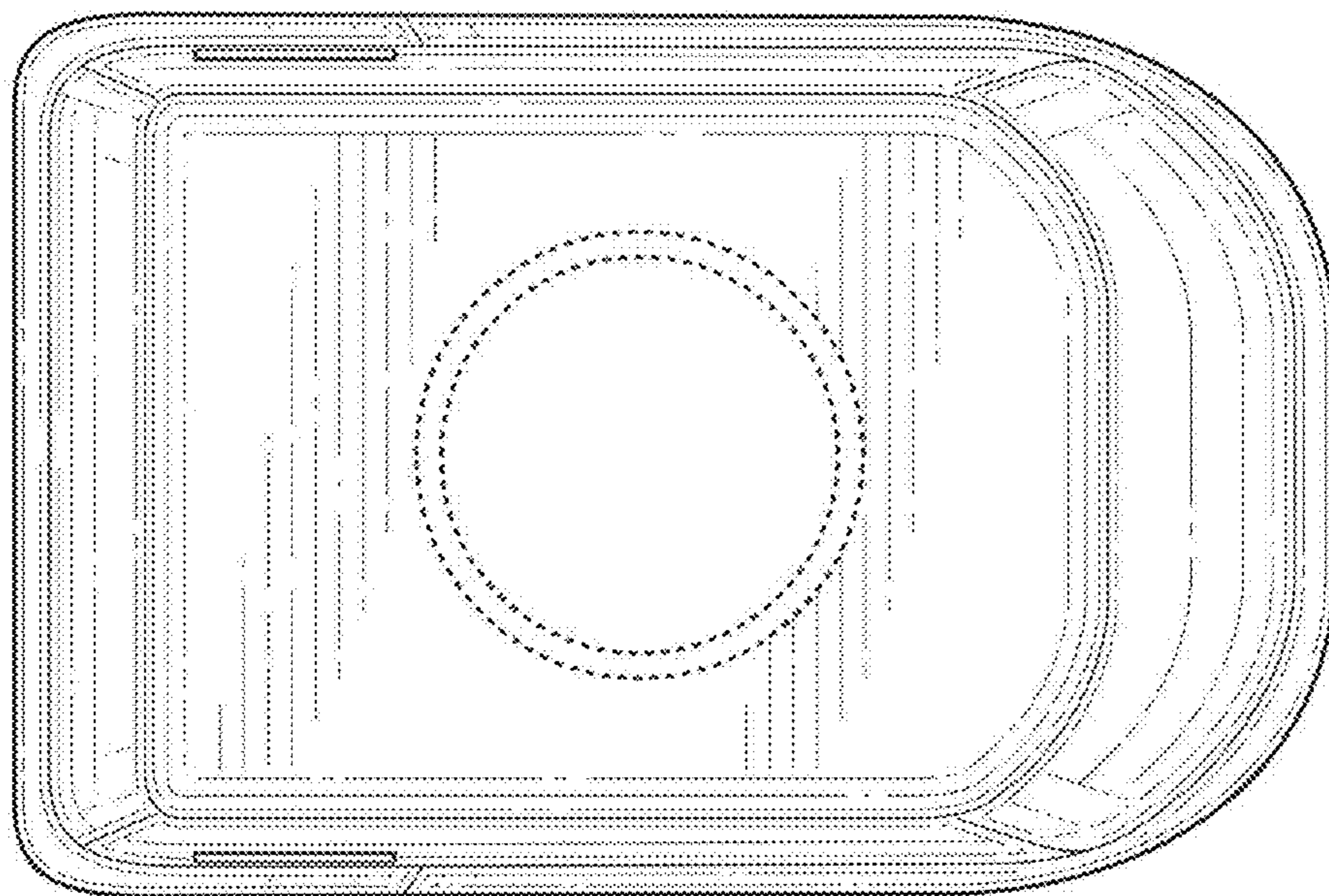


FIG. 7