



US00D969265S

(12) **United States Design Patent**
Barrau et al.

(10) **Patent No.:** **US D969,265 S**
(45) **Date of Patent:** **** Nov. 8, 2022**

(54) **TRAPS FOR ANIMALS**

(71) Applicant: **LIPHATECH**, Pont-du-Casse (FR)

(72) Inventors: **Damien Barrau**, Espiens (FR); **Maher Al Ayya**, Pavie (FR)

(73) Assignee: **LIPHATECH**, Pont-du-Casse (FR)

(**) Term: **15 Years**

(21) Appl. No.: **29/776,306**

(22) Filed: **Mar. 29, 2021**

(30) **Foreign Application Priority Data**

Sep. 29, 2020 (EM) 008191308-0003

(51) **LOC (13) Cl.** **22-06**

(52) **U.S. Cl.**
USPC **D22/119**

(58) **Field of Classification Search**
USPC D22/119-120; 43/58, 60-61, 65-66, 70,
43/77, 81-83, 90, 92, 98
CPC A01M 23/00; A01M 23/24; A01M 23/26;
A01M 23/30; A01M 31/002
See application file for complete search history.

(56) **References Cited**

U.S. PATENT DOCUMENTS

D246,854 S * 1/1978 Baker D22/119
4,413,439 A * 11/1983 Lindley A01M 23/20
43/61

D423,631 S * 4/2000 Shultz D22/119
D647,590 S * 10/2011 Watson D22/119
D660,394 S * 5/2012 Baker D22/119
D852,923 S * 7/2019 Ryan D22/119
2012/0180378 A1* 7/2012 Studer A01M 23/16
43/60

* cited by examiner

Primary Examiner — Catherine R Oliver-Garcia
(74) *Attorney, Agent, or Firm* — Ipsilon USA, LLP

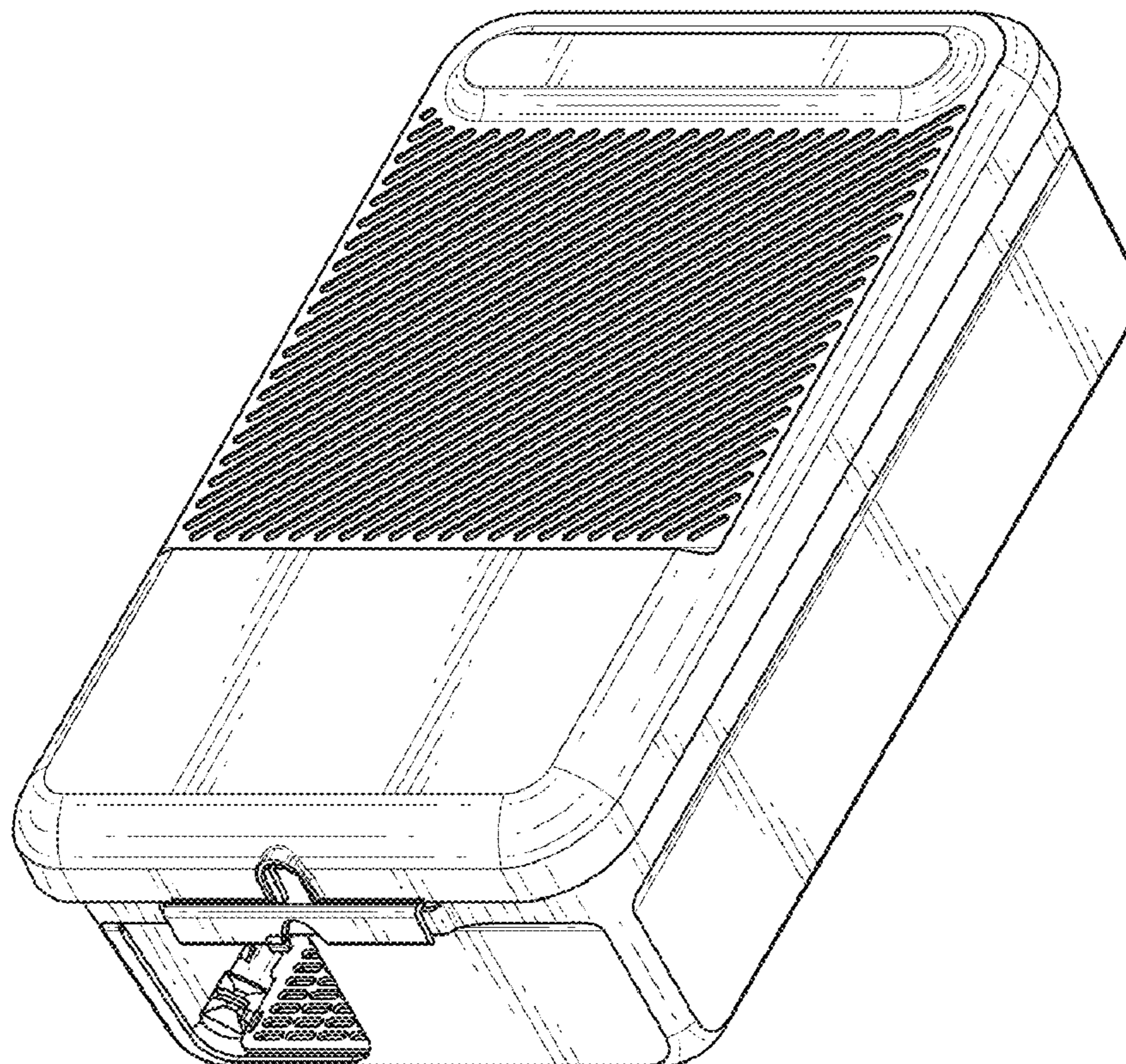
(57) **CLAIM**

The ornamental design for a trap for animals, as shown and described.

DESCRIPTION

FIG. 1 is a front perspective view of the trap for animals showing the new design;
FIG. 2 is a rear perspective view thereof;
FIG. 3 is a front view thereof;
FIG. 4 is a rear view thereof;
FIG. 5 is a left side view thereof;
FIG. 6 is a right side view thereof;
FIG. 7 is a top view thereof; and,
FIG. 8 is a bottom view thereof.

1 Claim, 6 Drawing Sheets



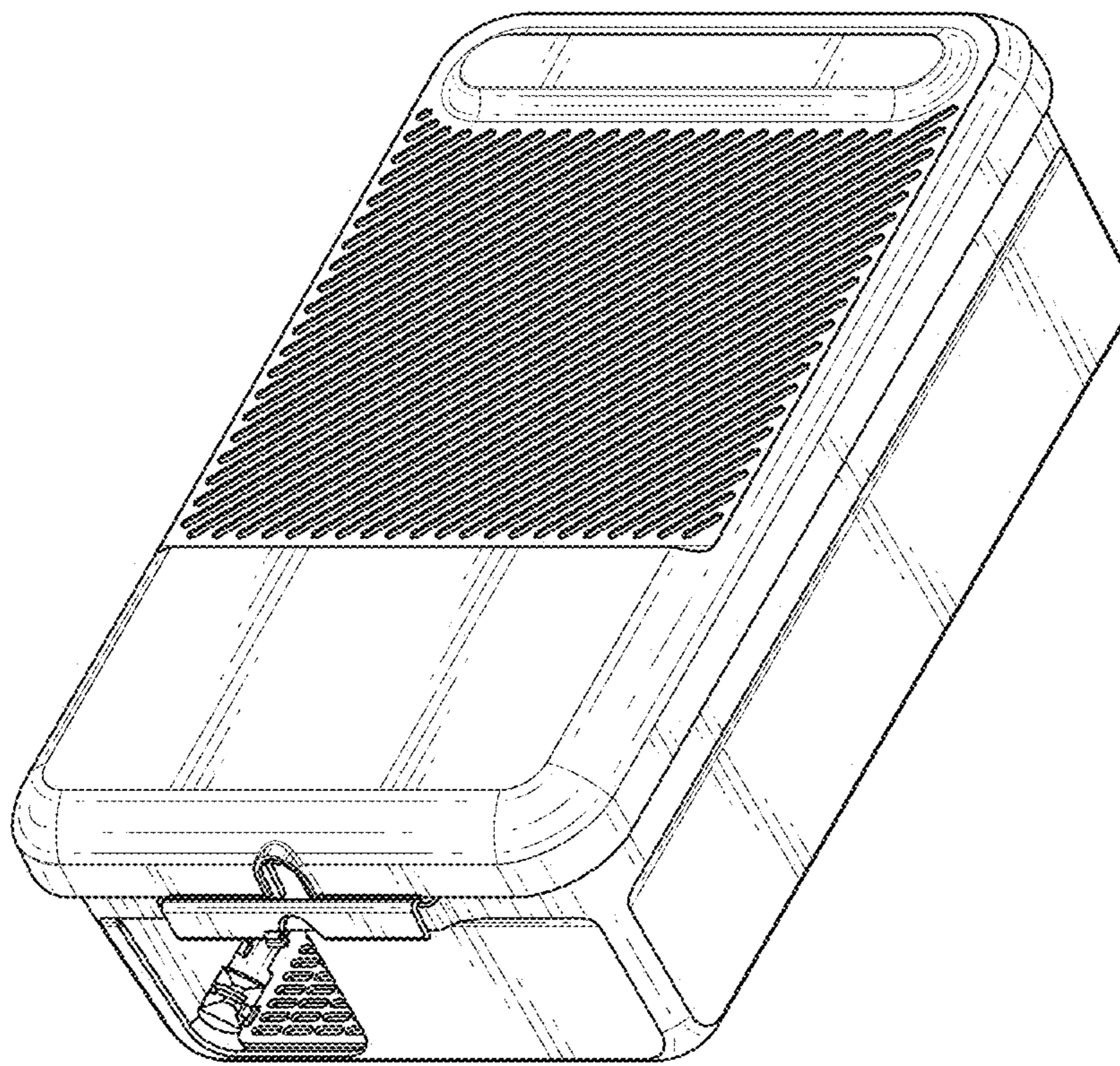


FIG. 1

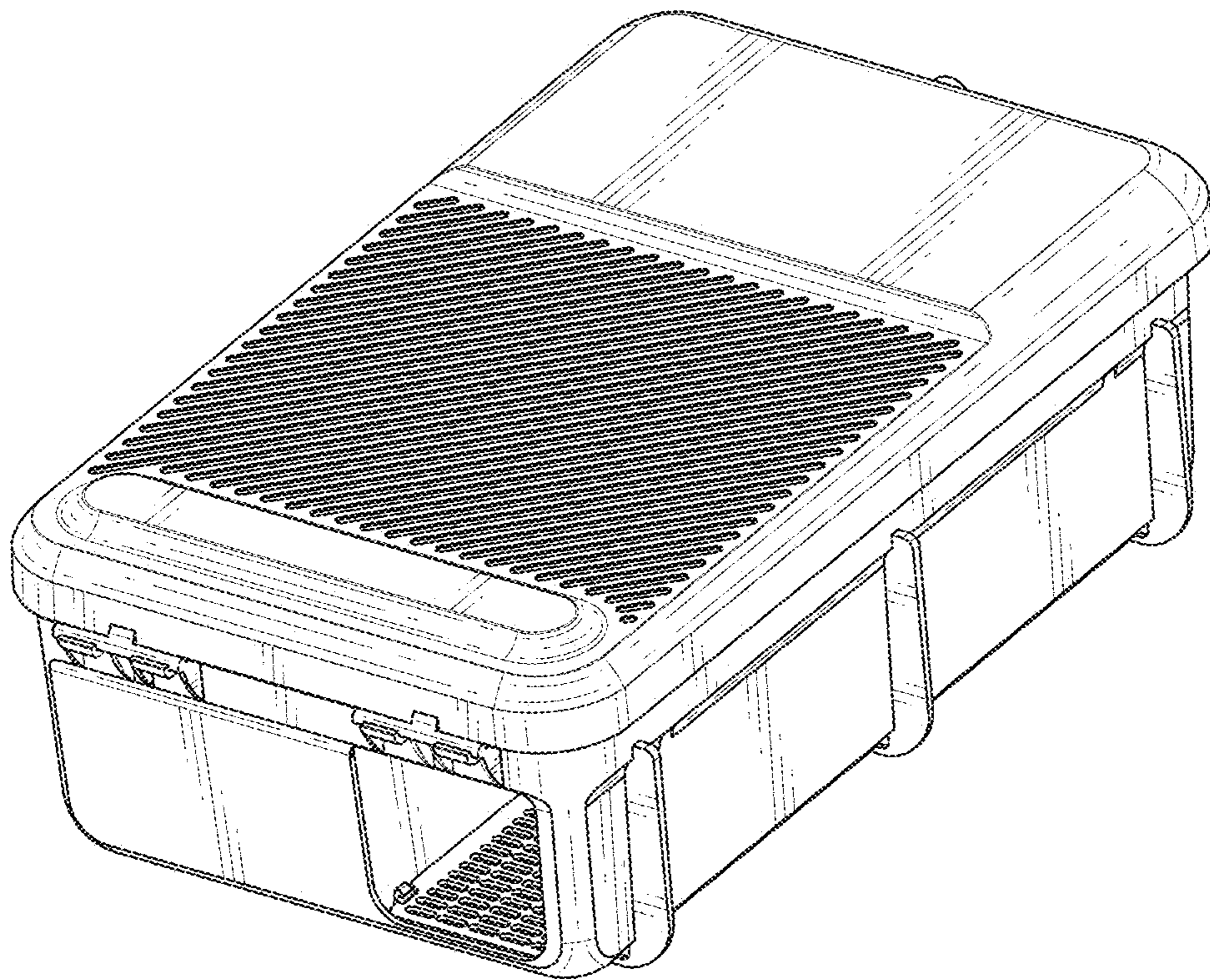


FIG. 2

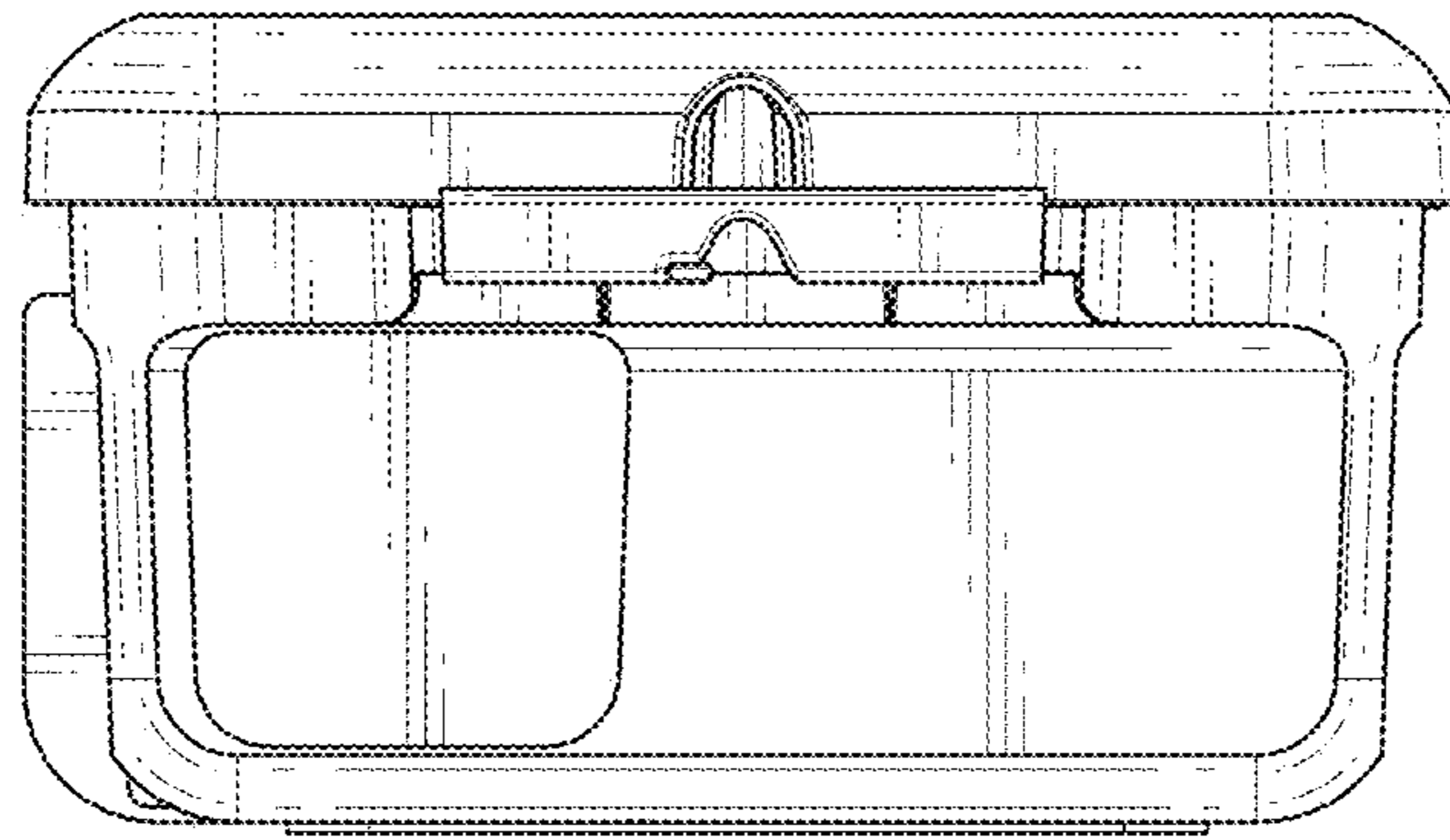


FIG. 3

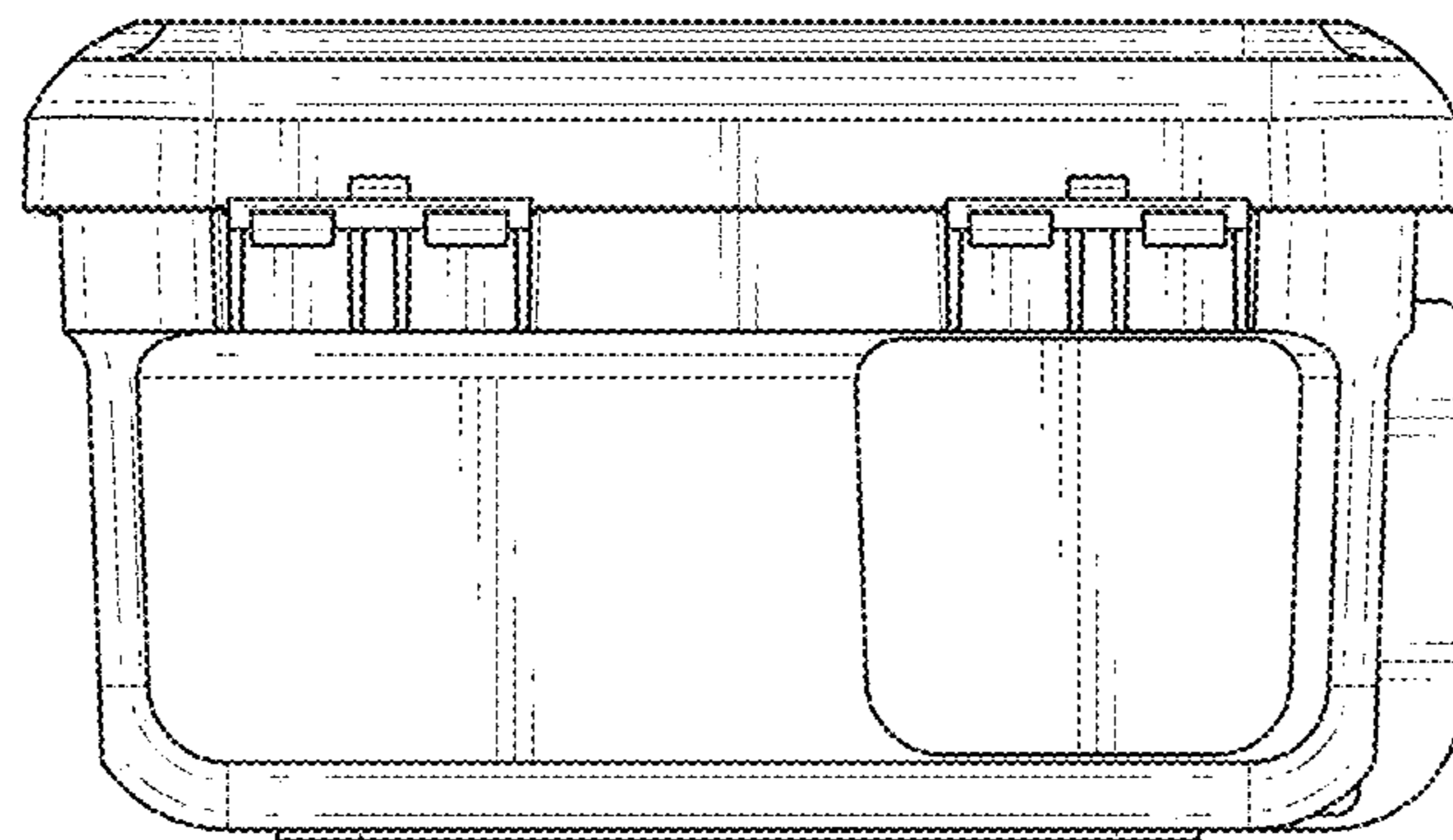


FIG. 4

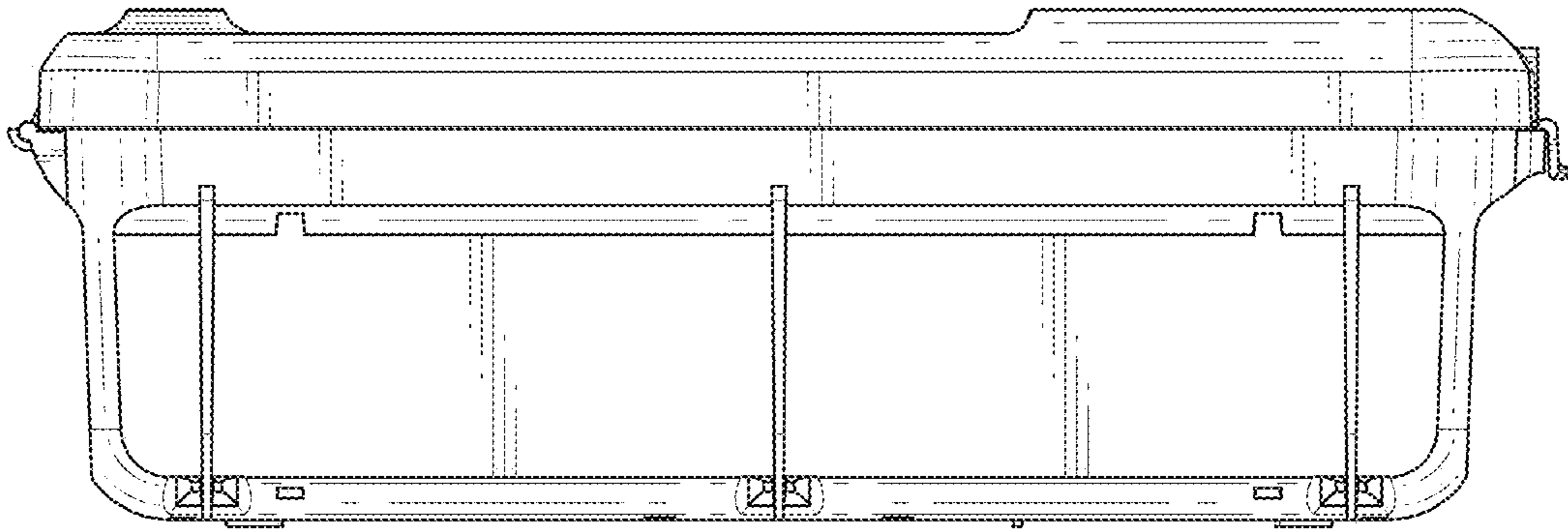


FIG. 5

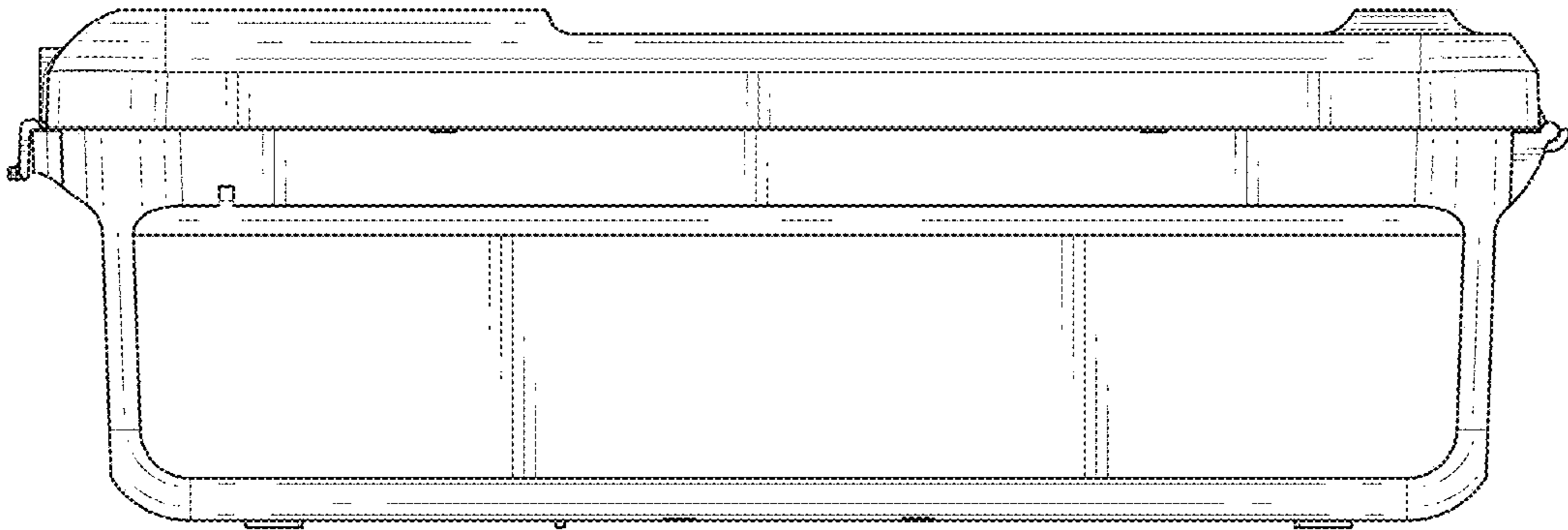


FIG. 6

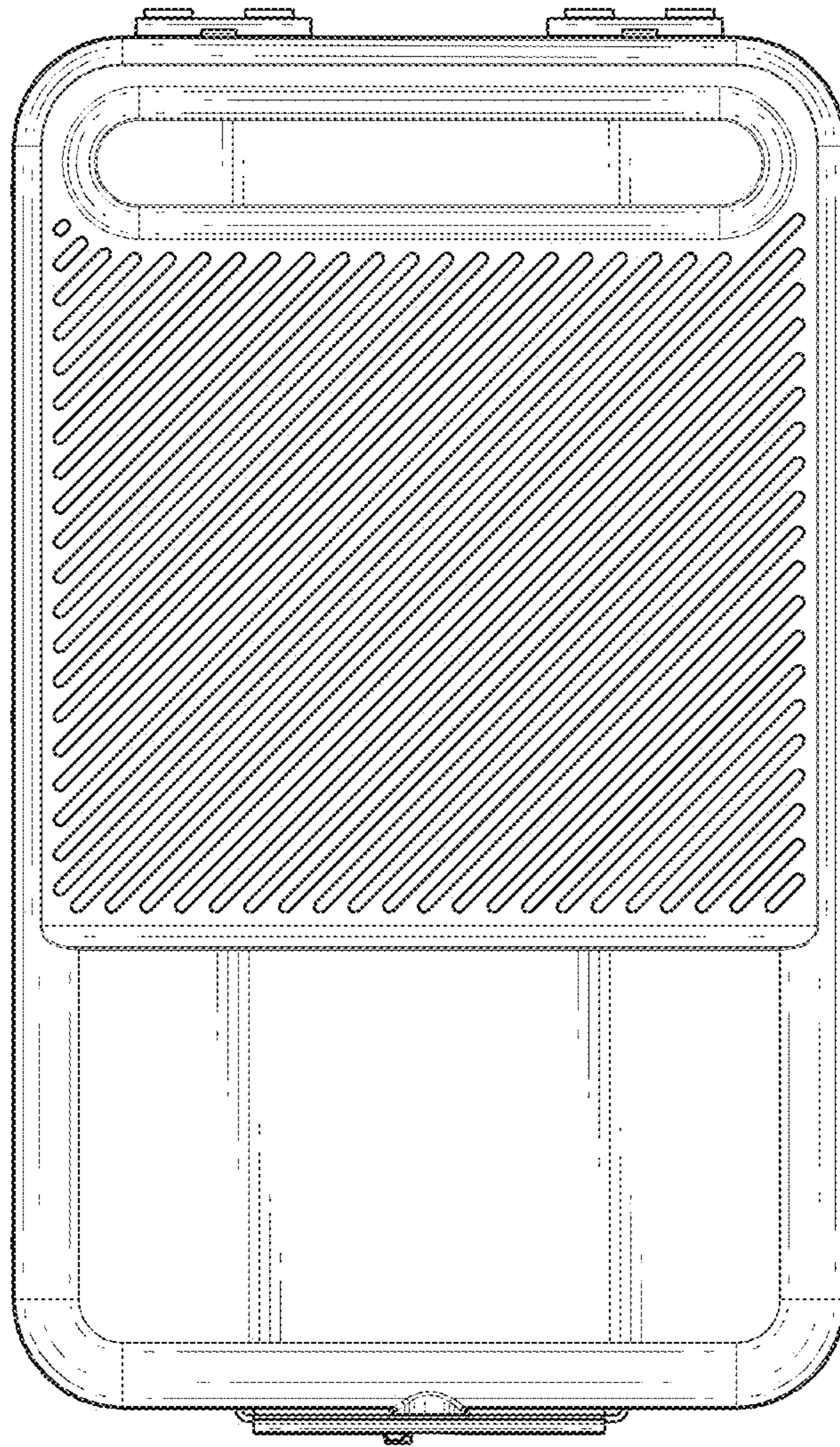


FIG. 7

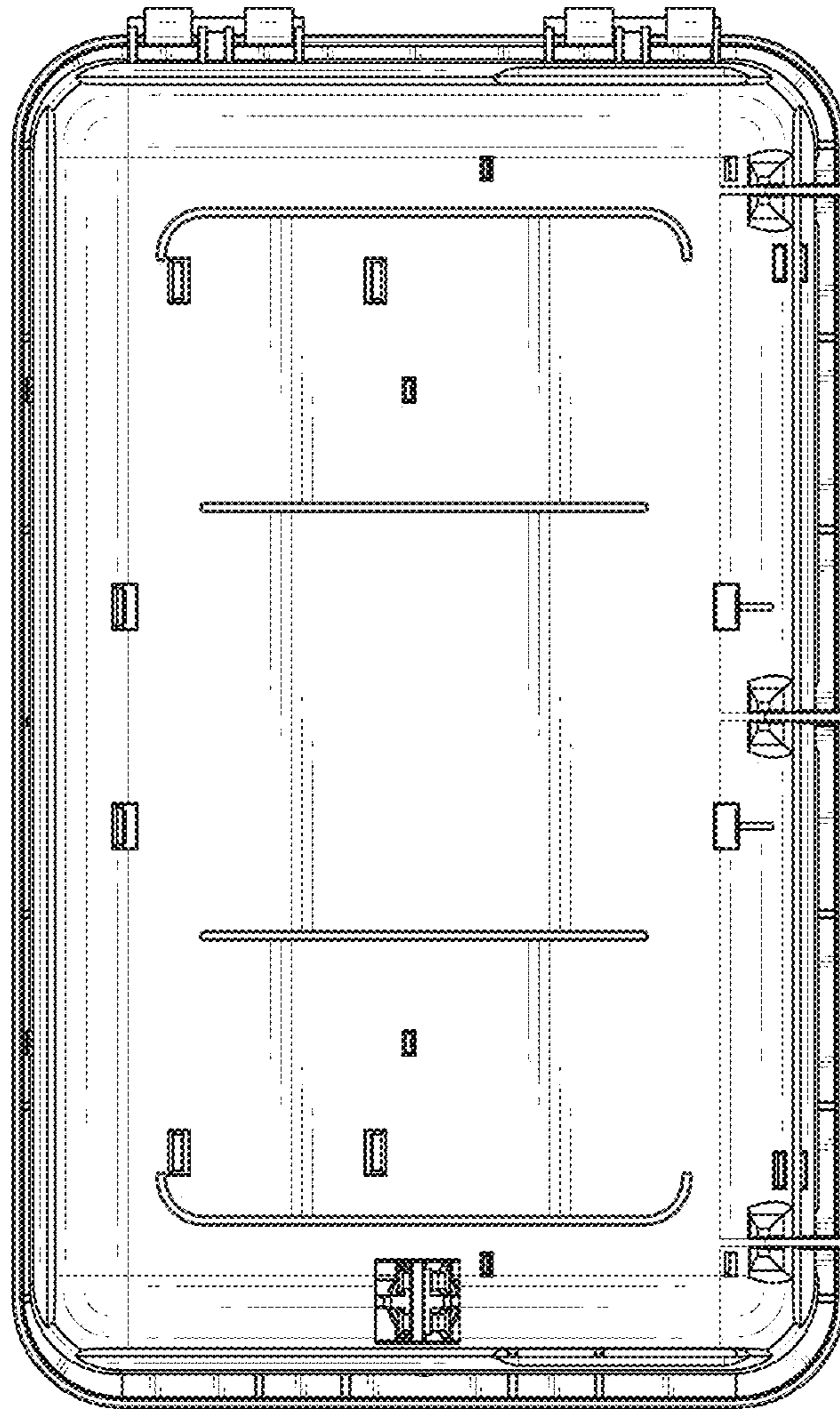


FIG. 8