

US00D969262S

(12) **United States Design Patent**
York et al.

(10) **Patent No.:** **US D969,262 S**
(45) **Date of Patent:** **** Nov. 8, 2022**

- (54) **AIMING RETICLE**
- (71) Applicant: **Sig Sauer, Inc.**, Newington, NH (US)
- (72) Inventors: **Andrew W. York**, Portland, OR (US);
Gregory S. Smith, Canton, GA (US);
Richard B. Brumfield, Athens, AL (US);
Joseph Fruechtel, Portland, OR (US)
- (73) Assignee: **SIG SAUER, INC.**, Newington, NH (US)
- (**) Term: **15 Years**
- (21) Appl. No.: **29/835,145**
- (22) Filed: **Apr. 15, 2022**

D530,776 S 10/2006 LaCorte
 7,705,975 B1 4/2010 Farris
 D631,125 S * 1/2011 Huber D22/109
 (Continued)

OTHER PUBLICATIONS

“Can we have real scope reticles” [online]. reddit.com. [Published on Oct. 18, 2020]. Retrieved from the Internet: <https://www.reddit.com/r/GhostRecon/comments/jdn4cj/can_we_have_real_scope_reticles/>.*

(Continued)

Primary Examiner — Mojtaba Tehrani
 (74) *Attorney, Agent, or Firm* — Miller Nash LLP

(57) **CLAIM**

The ornamental design for an aiming reticle, as shown and described.

DESCRIPTION

FIG. 1 is a front elevational view of an aiming reticle;
 FIG. 2 is an enlarged detail view of a central portion of the aiming reticle of FIG. 1;
 FIG. 3 is a detail view of the aiming reticle portion of FIG. 2 illustrating an illuminated center dot;
 FIG. 4 is a detail view of the aiming reticle portion of FIG. 2 illustrating an illuminated dot on a vertical element of the aiming reticle;
 FIG. 5 is a detail view of the aiming reticle portion of FIG. 2 illustrating multiple illuminated dots on a vertical element of the aiming reticle; and,
 FIG. 6 is a detail view of the aiming reticle portion of FIG. 2 illustrating an illuminated dot on a horizontal element of the aiming reticle and illustrating an illuminated dot on a vertical element of the aiming reticle.
 The evenly broken lines in FIG. 1 depict unclaimed portions of the aiming reticle. The alternating long and short dash broken lines depict unclaimed boundary of the isolated view shown in FIG. 2. The broken lines form no part of the claimed design.

Related U.S. Application Data

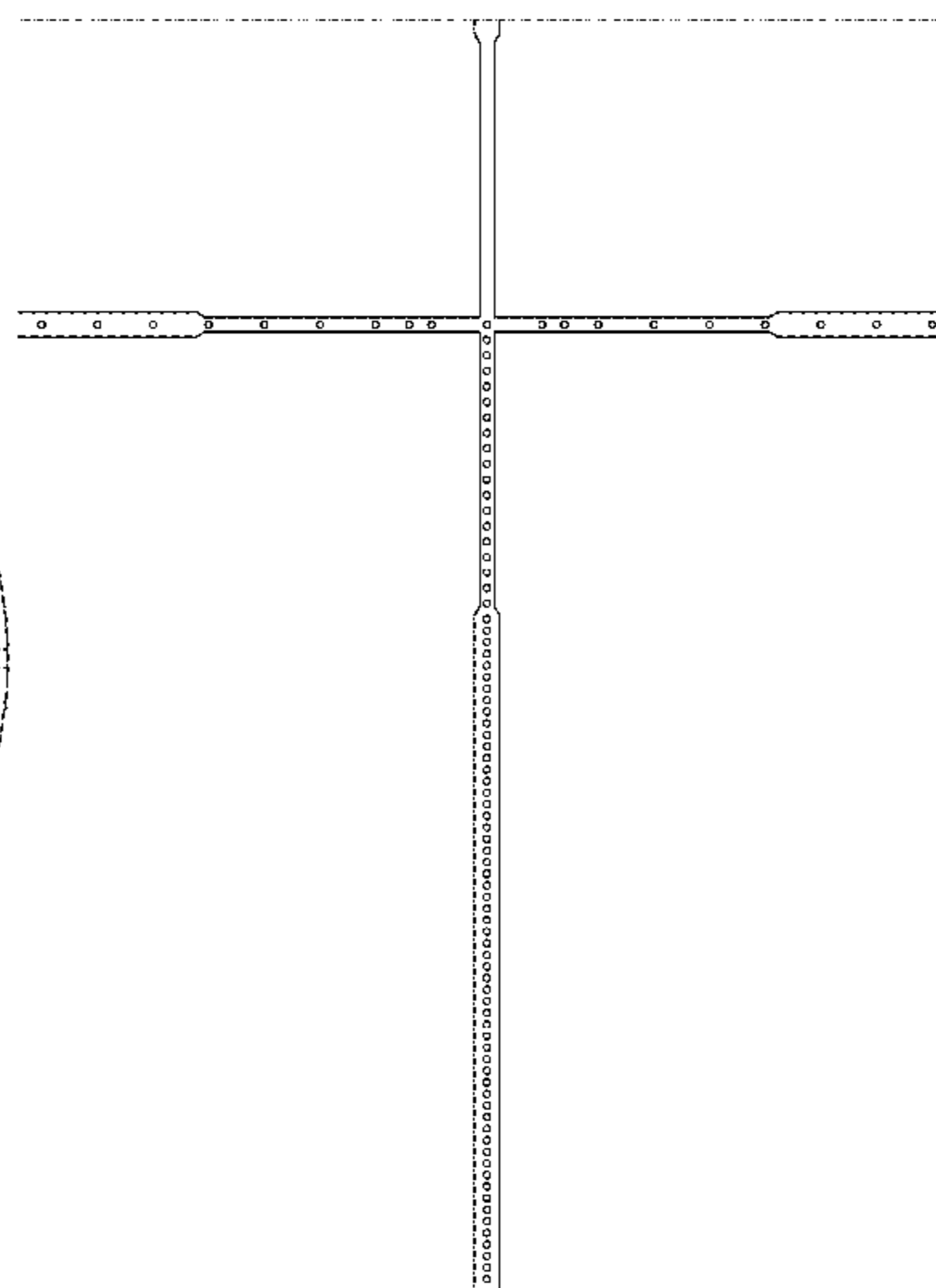
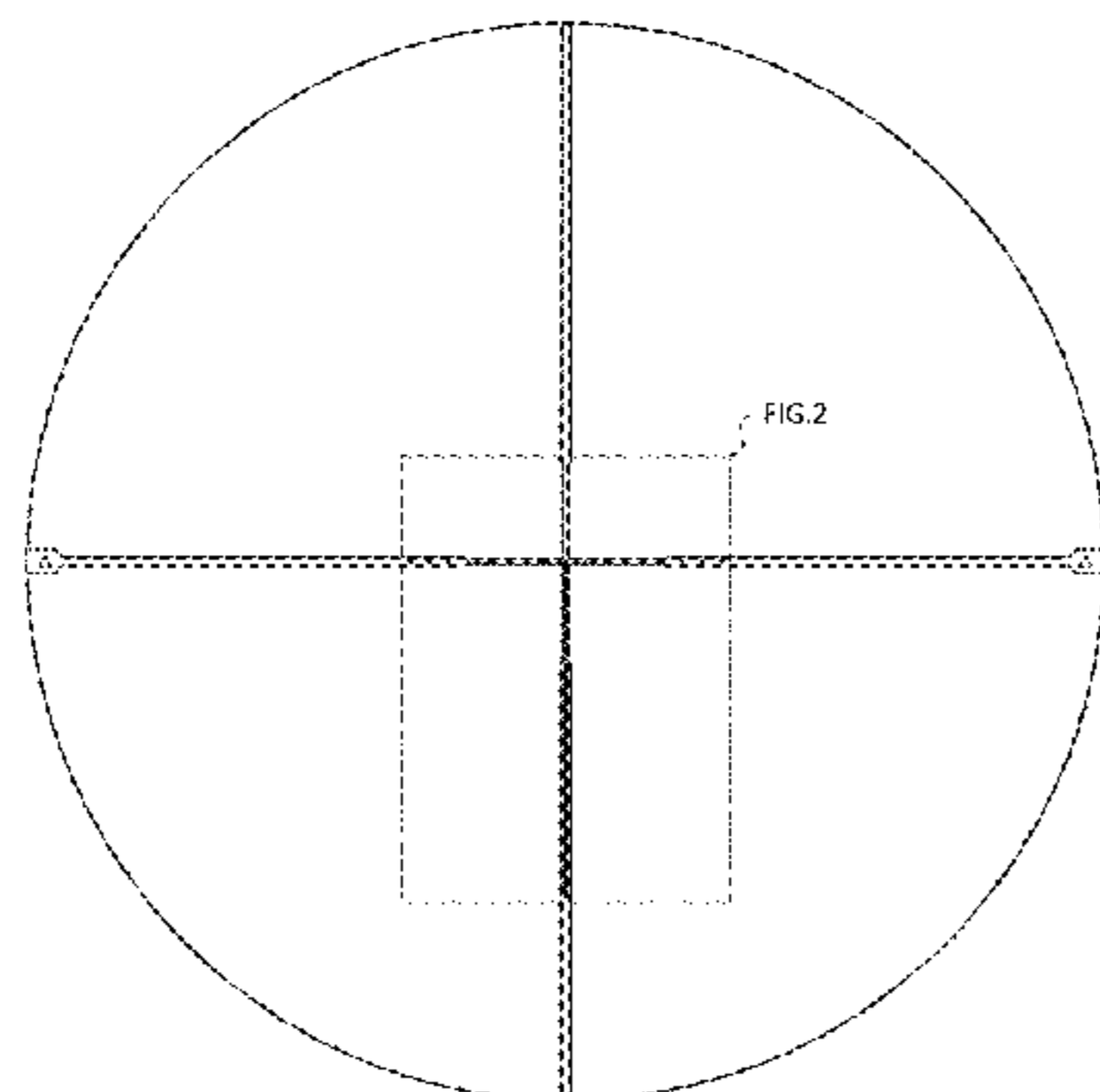
- (63) Continuation of application No. 29/643,027, filed on Apr. 3, 2018, now Pat. No. Des. 949,275.
- (51) **LOC (13) Cl.** **22-01**
- (52) **U.S. Cl.**
USPC **D22/109**
- (58) **Field of Classification Search**
USPC D22/100, 107, 108, 109, 110, 113, 114,
D22/199; D21/567, 570, 571; D16/130,
D16/132
CPC . F41G 11/003; F41G 1/14; F41G 1/38; F41G
1/16; F41G 1/02; F41G 1/06; F41A
23/005; F41C 23/16
See application file for complete search history.

(56) **References Cited**

U.S. PATENT DOCUMENTS

- D397,704 S 9/1998 Reese
- 6,357,158 B1 * 3/2002 Smith, III G02B 23/14
42/130
- D475,758 S 6/2003 Ishikawa
- D530,775 S 10/2006 LaCorte

1 Claim, 6 Drawing Sheets



(56)

References Cited

U.S. PATENT DOCUMENTS

D632,754 S 2/2011 Pride
 D654,136 S 2/2012 Huber
 D679,776 S * 4/2013 Bracken D22/108
 D679,777 S * 4/2013 Bracken D22/108
 D680,187 S * 4/2013 Bracken D22/108
 D683,418 S 5/2013 Beckett et al.
 D684,653 S 6/2013 Smith et al.
 D715,394 S 10/2014 Young
 D715,395 S 10/2014 Young et al.
 D722,360 S * 2/2015 Pride D22/109
 D726,280 S 4/2015 Mikroulis
 D733,248 S 6/2015 Moyle
 9,091,507 B2 7/2015 Paterson et al.
 D745,168 S 12/2015 White et al.
 D755,269 S * 5/2016 Pride D22/109
 D760,340 S * 6/2016 Goess D22/109
 D767,661 S * 9/2016 Mikroulis D16/136
 D783,763 S * 4/2017 Pride D16/136
 D796,621 S * 9/2017 Walker D16/136
 D798,411 S 9/2017 Walker
 D798,412 S 9/2017 Walker
 D798,413 S 9/2017 Walker
 D798,414 S 9/2017 Walker
 D798,985 S 10/2017 Walker
 D802,702 S * 11/2017 Zhang D22/109
 D821,535 S 6/2018 Walker
 D838,335 S * 1/2019 Hamilton D16/136
 D850,564 S * 6/2019 Mikroulis D16/136
 D850,565 S * 6/2019 Mikroulis D16/136
 D850,567 S 6/2019 Mikroulis
 D850,568 S * 6/2019 Noller D22/109
 D854,113 S 7/2019 Hamilton

D855,737 S * 8/2019 Doran D22/109
 D855,738 S * 8/2019 Doran D22/109
 D855,739 S * 8/2019 Doran D22/109
 D855,740 S * 8/2019 Doran D22/109
 D855,741 S * 8/2019 Doran D22/109
 D856,460 S 8/2019 Doran
 D871,539 S * 12/2019 Bentham D22/109
 D889,588 S 7/2020 Verdugo
 D896,914 S * 9/2020 Mikroulis D16/136
 D905,816 S * 12/2020 Noller D22/109
 11,087,512 B2 * 8/2021 Hoffman G09G 5/14
 D936,169 S * 11/2021 McKillips D22/109
 D943,050 S * 2/2022 Ford D22/109
 D949,275 S * 4/2022 York D22/109
 D950,000 S * 4/2022 McKillips D22/109
 2005/0188601 A1 * 9/2005 Verdugo F41G 1/345
 42/130
 2006/0026887 A1 * 2/2006 Verdugo F41G 1/38
 42/130
 2013/0170027 A1 7/2013 Peters et al.
 2013/0206836 A1 8/2013 Paterson et al.
 2016/0305743 A1 10/2016 Chen et al.
 2018/0081192 A1 * 3/2018 Qu F41G 1/38

OTHER PUBLICATIONS

“BDC and Mil-Dot Reticles for Rifle Scopes” [online]. pewpewtactical.com. [Published in 2018]. Retrieved from the Internet: <https://www.pewpewtactical.com/bdc-mil-dot-reticles-rifles/>.
 “Scope Reticles” [online]. craigboddington.com. [Retrieved on Jul. 14, 2021]. Retrieved from the Internet: <https://www.craigboddington.com/endorsed-outfitters/hunting-tips/scope-reticles>.

* cited by examiner

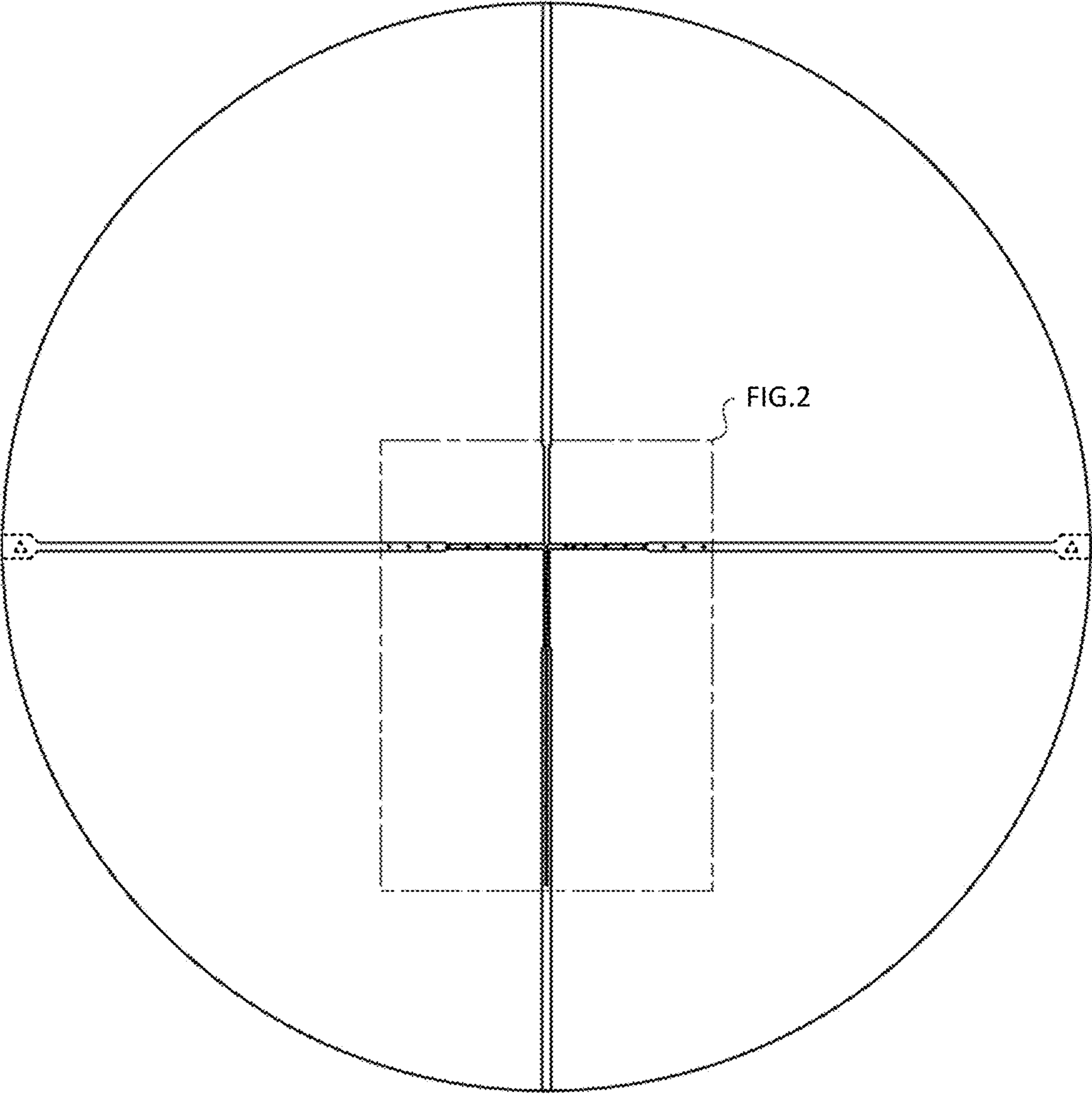


FIG. 1

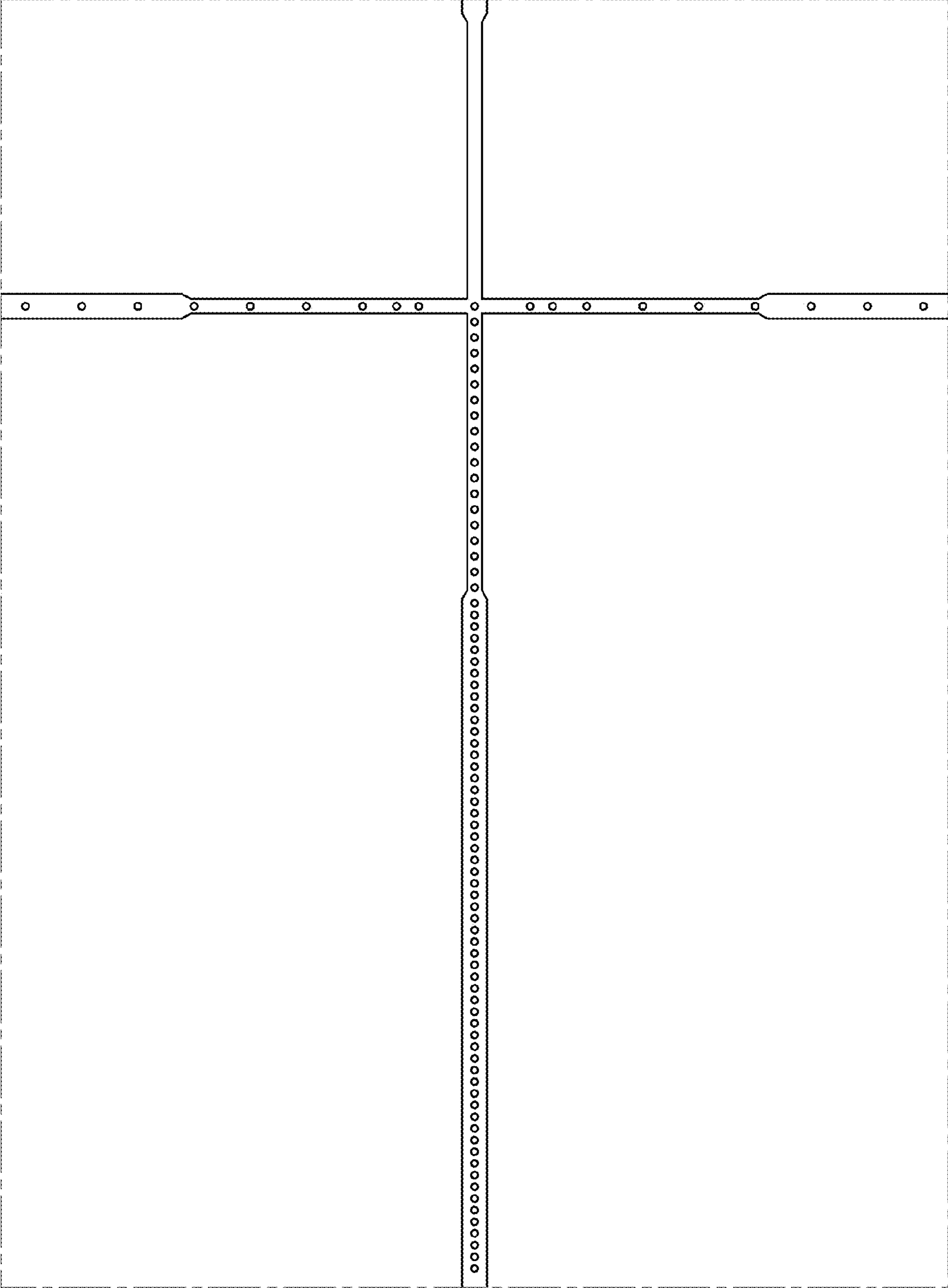


FIG. 2

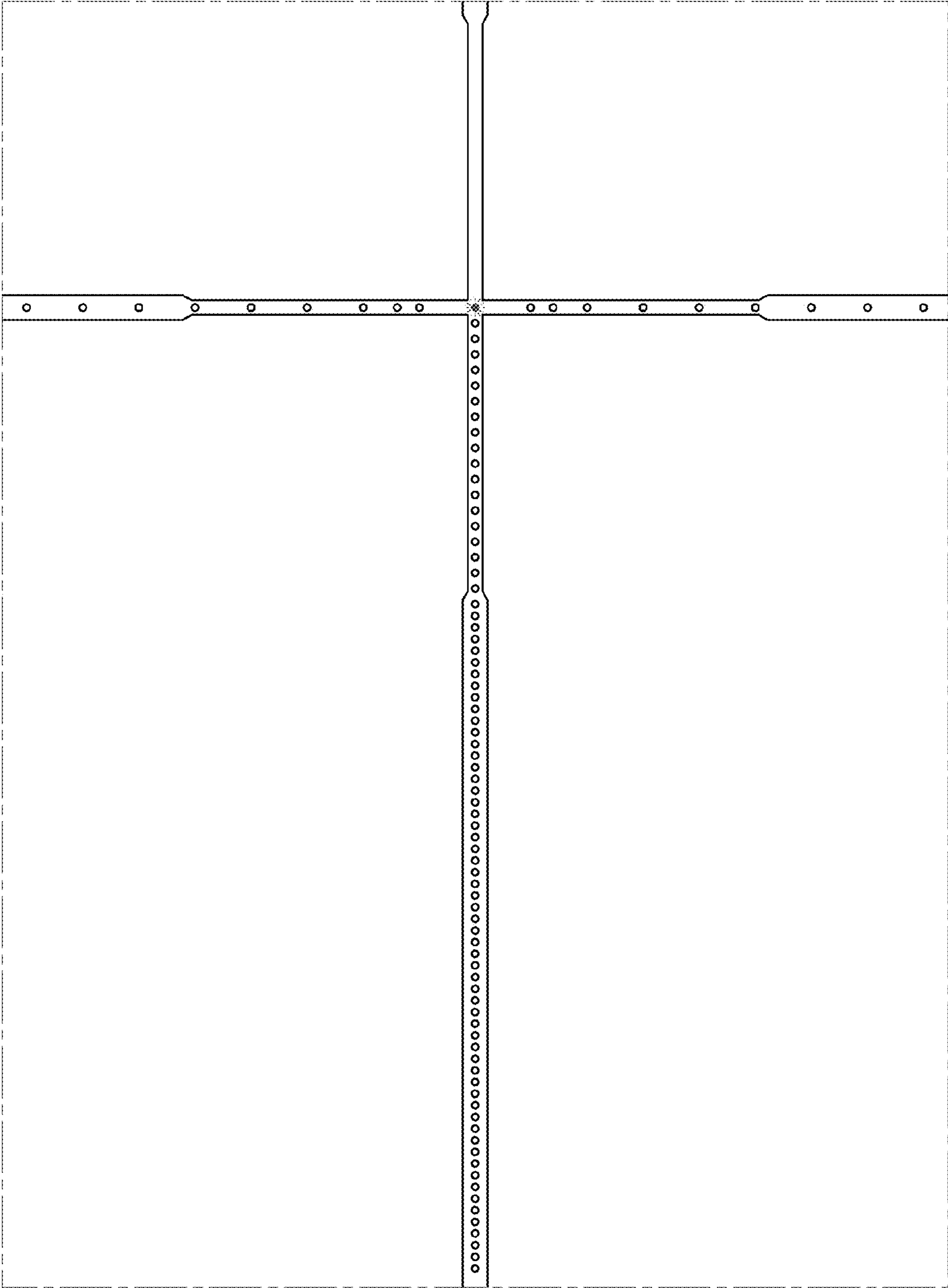


FIG. 3

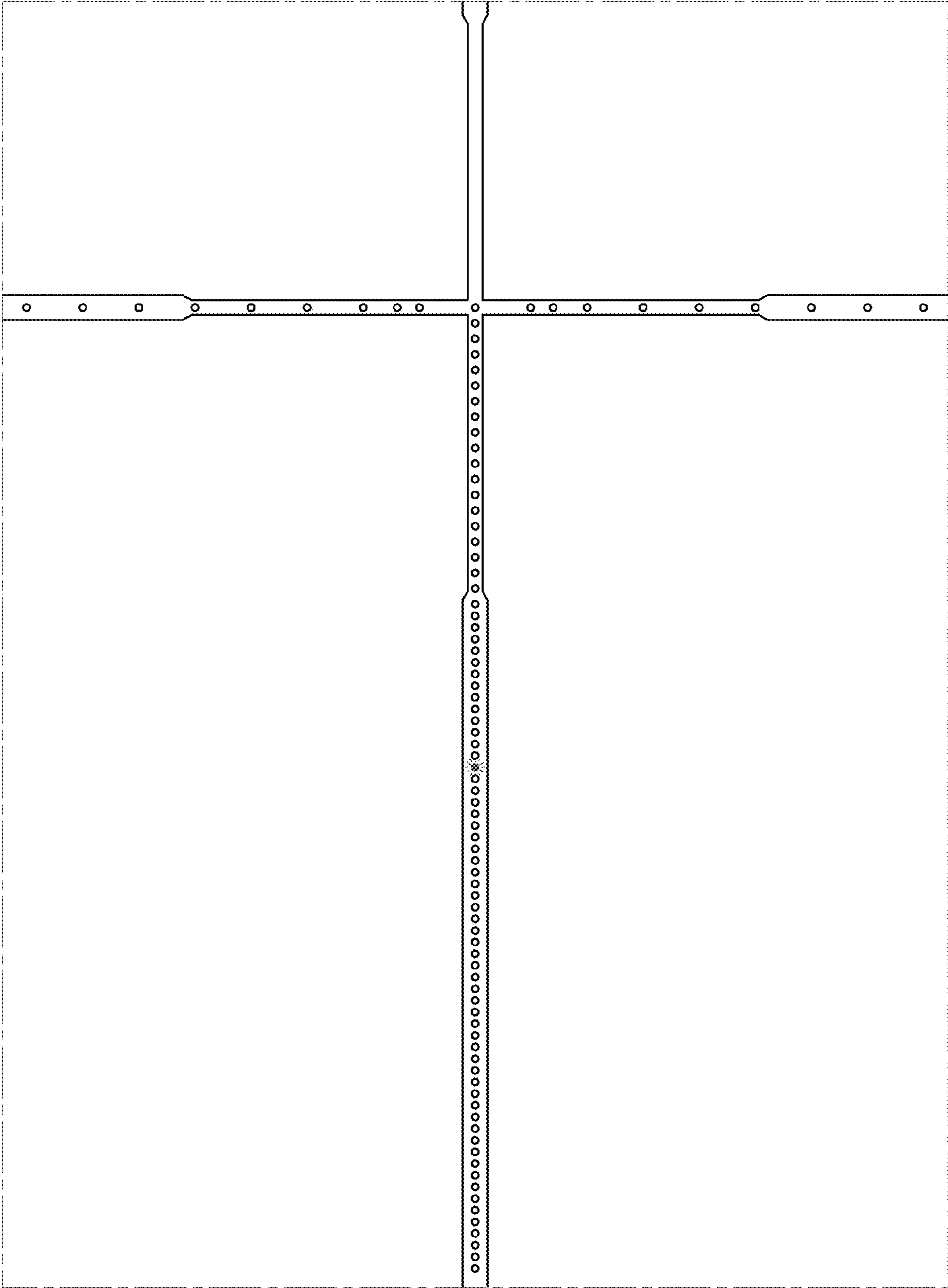


FIG. 4

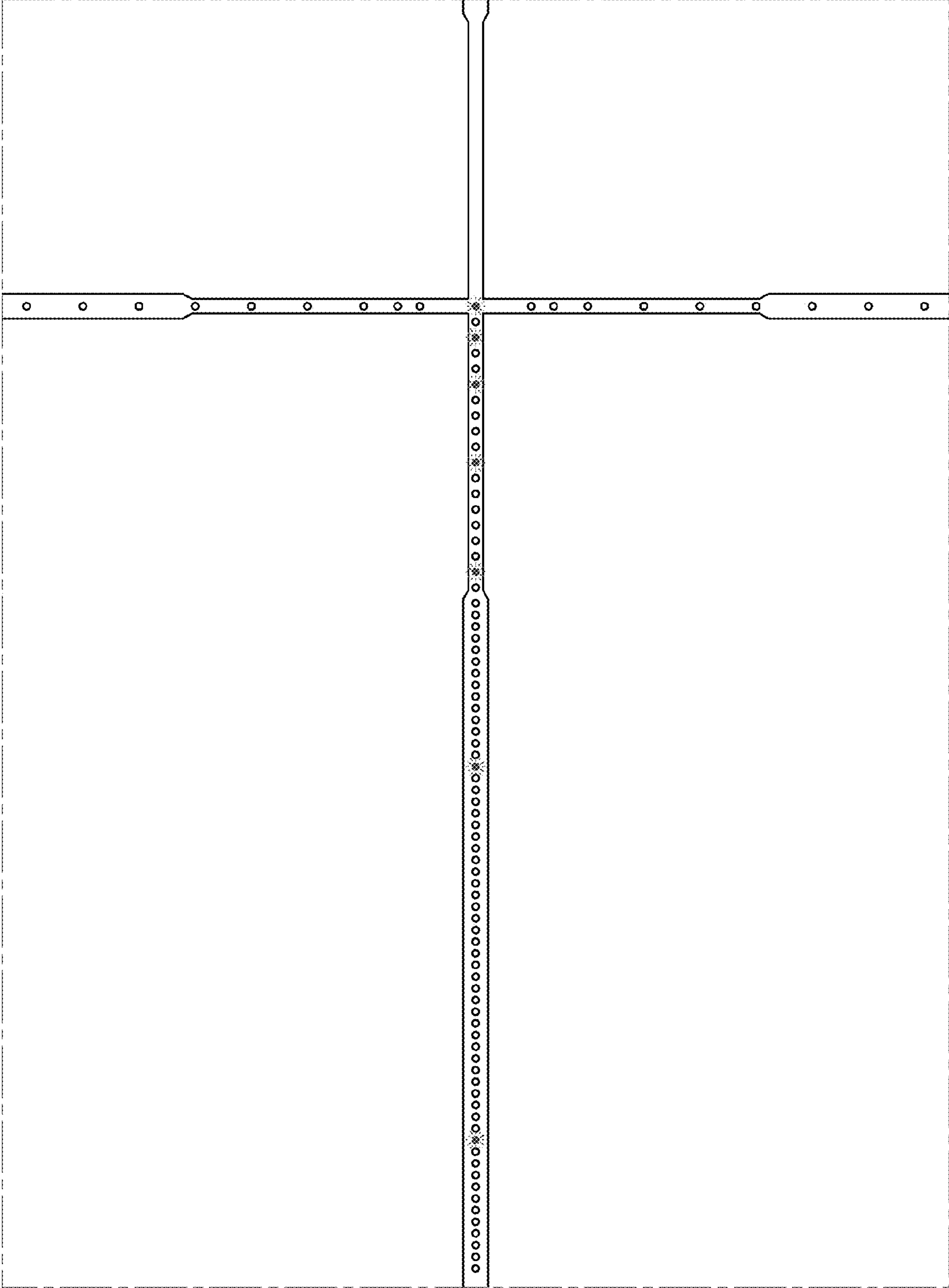


FIG. 5

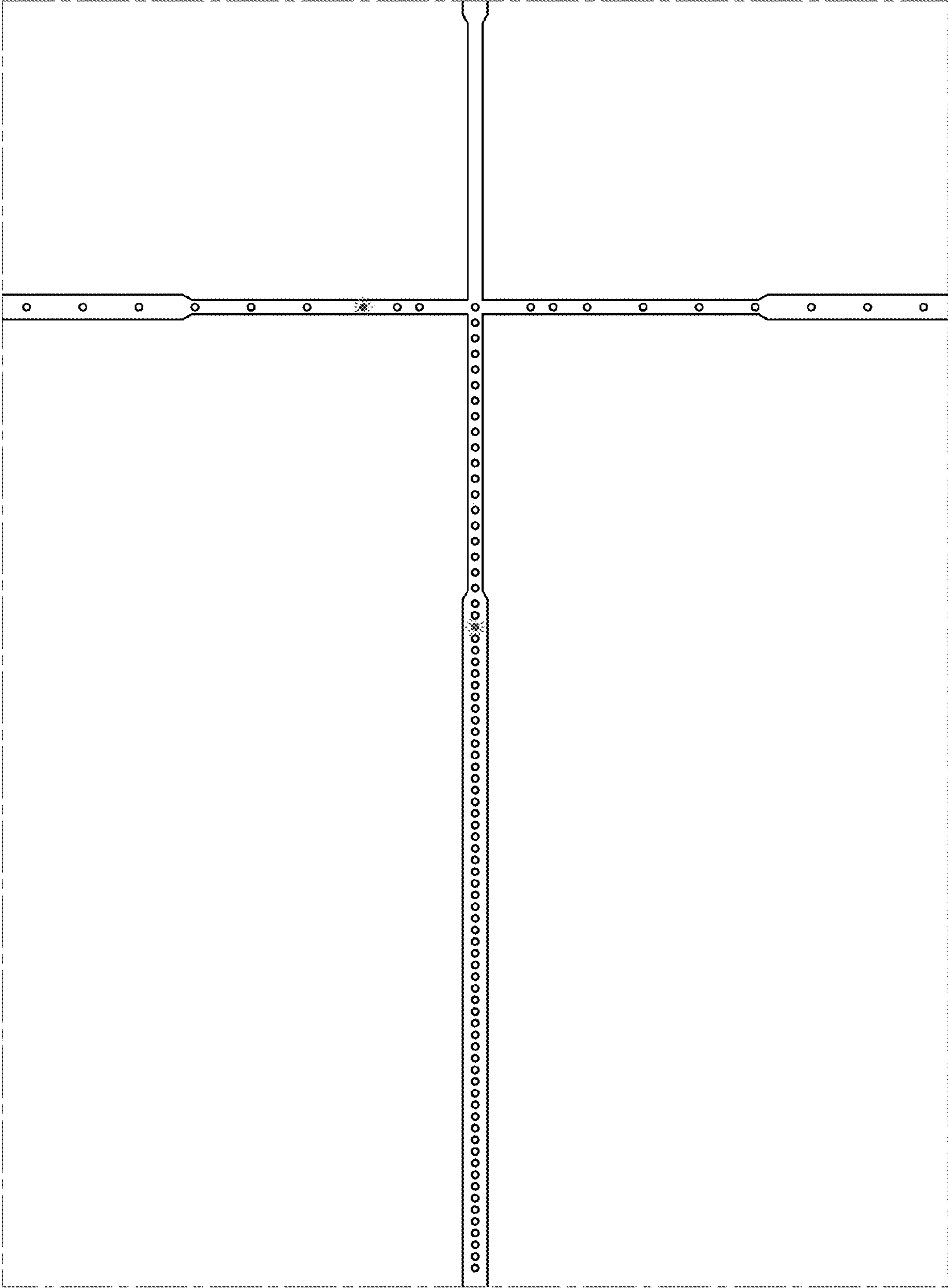


FIG. 6