

US00D969260S

(12) **United States Design Patent**  
**Chen**

(10) **Patent No.:** **US D969,260 S**

(45) **Date of Patent:** **\*\* Nov. 8, 2022**

(54) **WEAPON LIGHT**

(71) Applicant: **Xiaowei Chen**, Guangdong (CN)

(72) Inventor: **Xiaowei Chen**, Guangdong (CN)

(\*\*) Term: **15 Years**

(21) Appl. No.: **29/767,190**

(22) Filed: **Jan. 21, 2021**

(51) **LOC (13) Cl.** ..... **22-01**

(52) **U.S. Cl.**  
USPC ..... **D22/108**

(58) **Field of Classification Search**  
USPC ..... D22/108, 109, 110; D26/60  
CPC ..... F41G 1/16; F41G 1/02; F41G 1/06; F41G  
1/14; F41G 1/38; F41G 1/40; F41A 23/00  
See application file for complete search history.

(56) **References Cited**

**U.S. PATENT DOCUMENTS**

5,107,612	A *	4/1992	Bechtel	.....	F41G 11/003 42/146
7,188,978	B2 *	3/2007	Sharrah	.....	F21S 9/02 362/396
D548,385	S *	8/2007	Sharrah	.....	D26/51
D578,599	S *	10/2008	Cheng	.....	D22/108
D628,324	S *	11/2010	Matthews	.....	D22/108
D672,005	S *	12/2012	Hedeen	.....	D22/109
D674,525	S *	1/2013	Sharrah	.....	D26/60
D707,784	S	6/2014	Cragie		
D712,001	S *	8/2014	Wells	.....	D22/108
D738,455	S *	9/2015	Homem de Mello Anderson	.....	D22/109
D781,983	S *	3/2017	Wells	.....	D22/108
D800,864	S *	10/2017	Hartley	.....	D22/109
D807,981	S *	1/2018	Cheng	.....	D22/108
D812,178	S *	3/2018	Galli	.....	D22/108
D829,841	S	10/2018	Galli		
D885,510	S *	5/2020	Wells	.....	D22/108
D898,260	S *	10/2020	Worman	.....	D22/108
D898,261	S *	10/2020	Worman	.....	D22/108

D902,341	S	11/2020	Starr		
D908,182	S *	1/2021	Galli	.....	D22/108
10,948,266	B2 *	3/2021	Wells	.....	F41G 1/345
D940,266	S *	1/2022	Wang	.....	D22/109
11,306,987	B2 *	4/2022	Hedeen	.....	F41J 5/10
D951,508	S *	5/2022	Guozheng	.....	D26/49
D957,018	S *	7/2022	Chen	.....	D22/108
2015/0276347	A1 *	10/2015	Sharrah	.....	F41G 1/35 42/117

(Continued)

**OTHER PUBLICATIONS**

“Mountable Flashlights” [online]. Nitecore Store. [Retrieved on Aug. 4, 2022]. Retrieved from the Internet: <<https://www.nitecorestore.com/Mountable-Flashlights-s/4221.htm>>.\*

(Continued)

*Primary Examiner* — Mojtaba Tehrani

(74) *Attorney, Agent, or Firm* — Jeenam Park

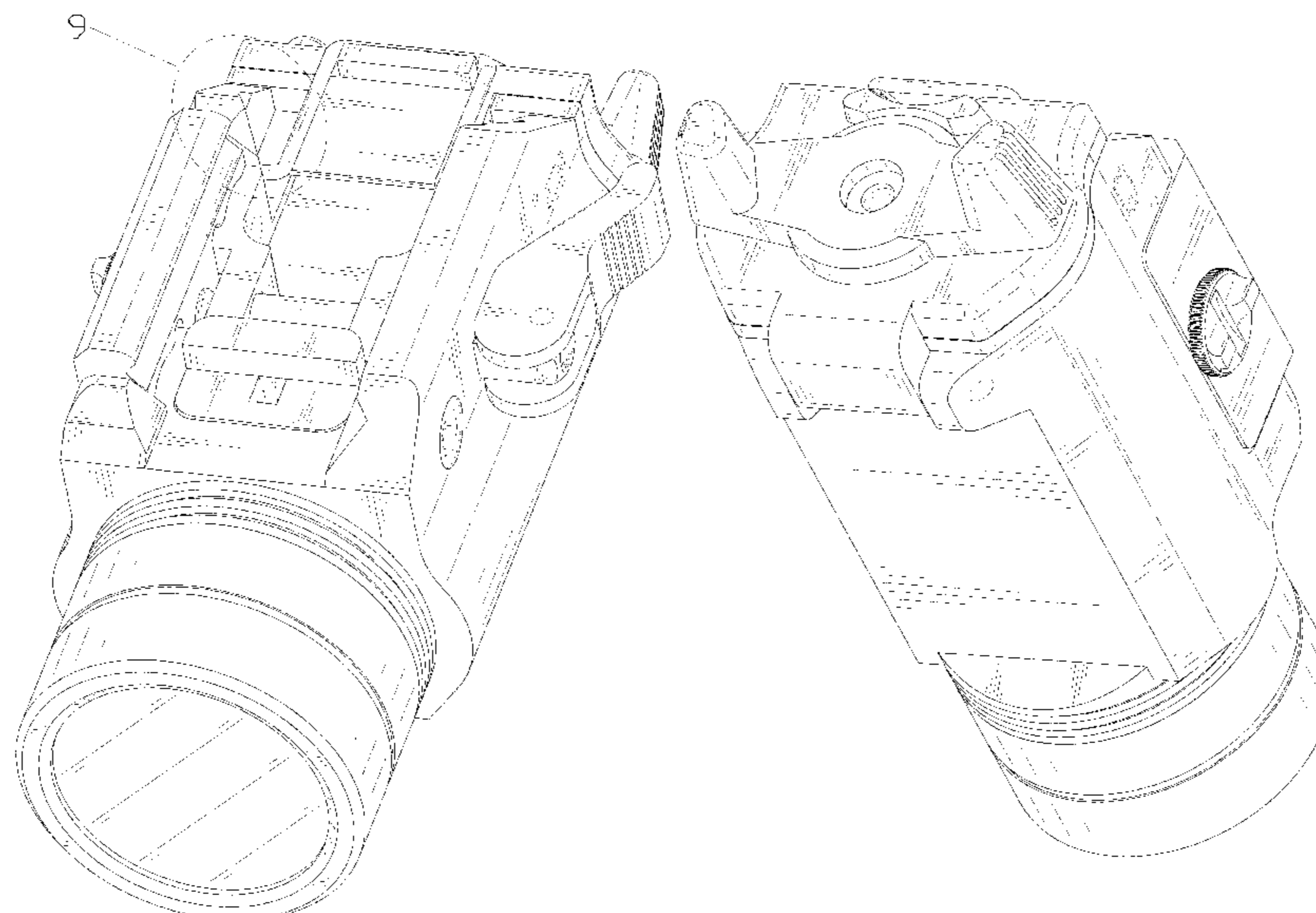
(57) **CLAIM**

The ornamental design for a weapon light, as shown and described.

**DESCRIPTION**

FIG. 1 is a perspective view of a weapon light showing my new design;  
FIG. 2 is another perspective view thereof;  
FIG. 3 is a front elevational view thereof;  
FIG. 4 is a rear elevational view thereof;  
FIG. 5 is a left side view thereof;  
FIG. 6 is a right side view thereof;  
FIG. 7 is a top plan view thereof;  
FIG. 8 is a bottom plan view thereof; and,  
FIG. 9 is an enlarged view of portion 9 shown in FIG. 1.  
The evenly broken lines disclose unclaimed portions of the weapon lights; the dash-dot broken lines disclose unclaimed bounds of the isolated views. The broken lines form no part of the claimed design.

**1 Claim, 9 Drawing Sheets**



(56)

**References Cited**

U.S. PATENT DOCUMENTS

2020/0256645 A1\* 8/2020 Galli ..... F41G 1/35  
2021/0140743 A1\* 5/2021 Chen ..... F41G 11/003

OTHER PUBLICATIONS

“Weapon Lights” [online]. Galls. [Retrieved on Aug. 4, 2022]. Retrieved from the Internet: <<https://www.galls.com/brands/surefire/weapon-lights>>.\*

“Surefire X300 Weaponlight LED 1000lumen QD” [online]. Atlantic Guns. [Retrieved on Aug. 4, 2022]. Retrieved from the Internet: <<https://www.atlanticguns.com/product/surefire-x300-weaponlight-led-500lumen-qd-picatinny-rail>>.\*

\* cited by examiner

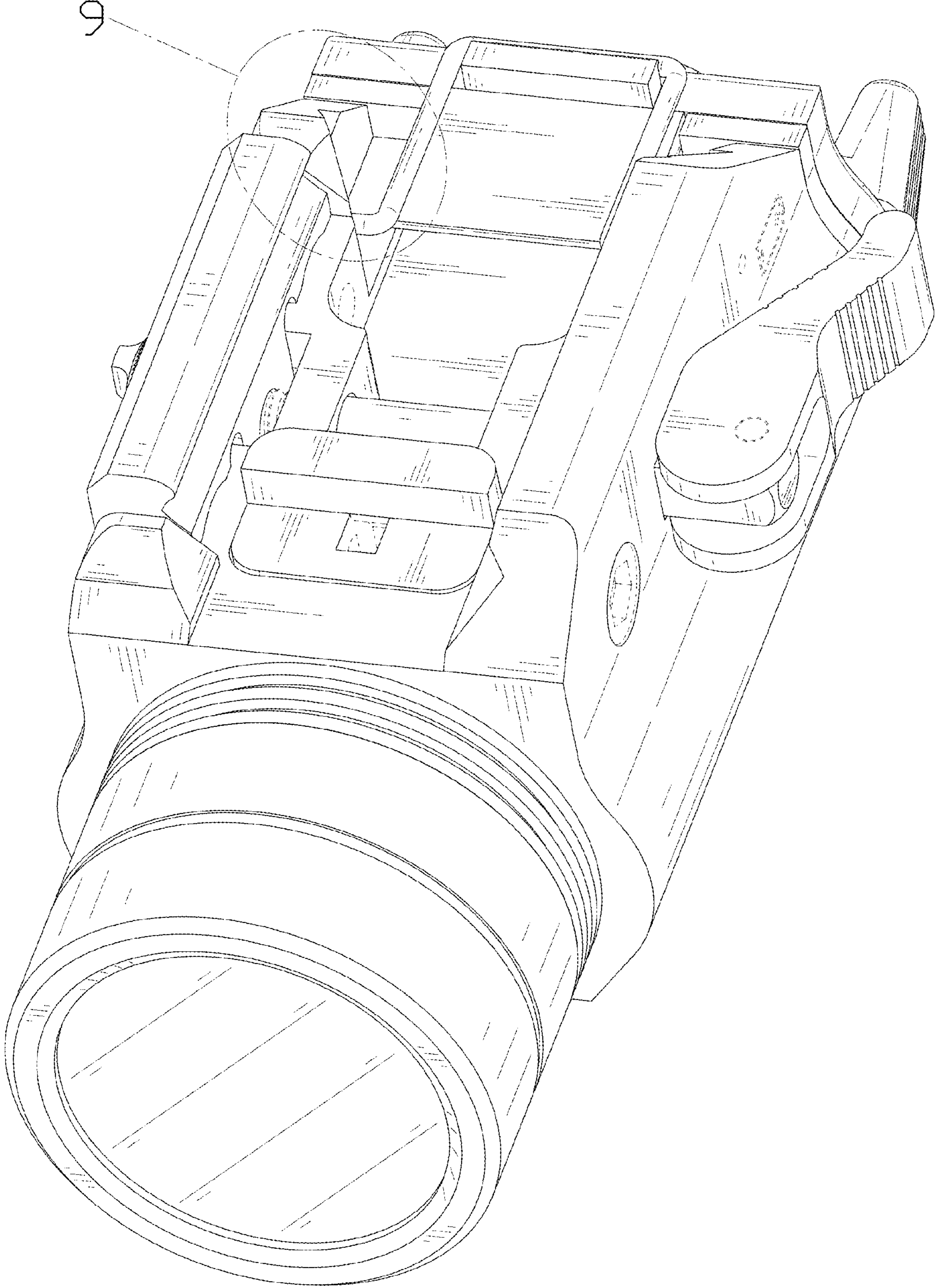


FIG. 1

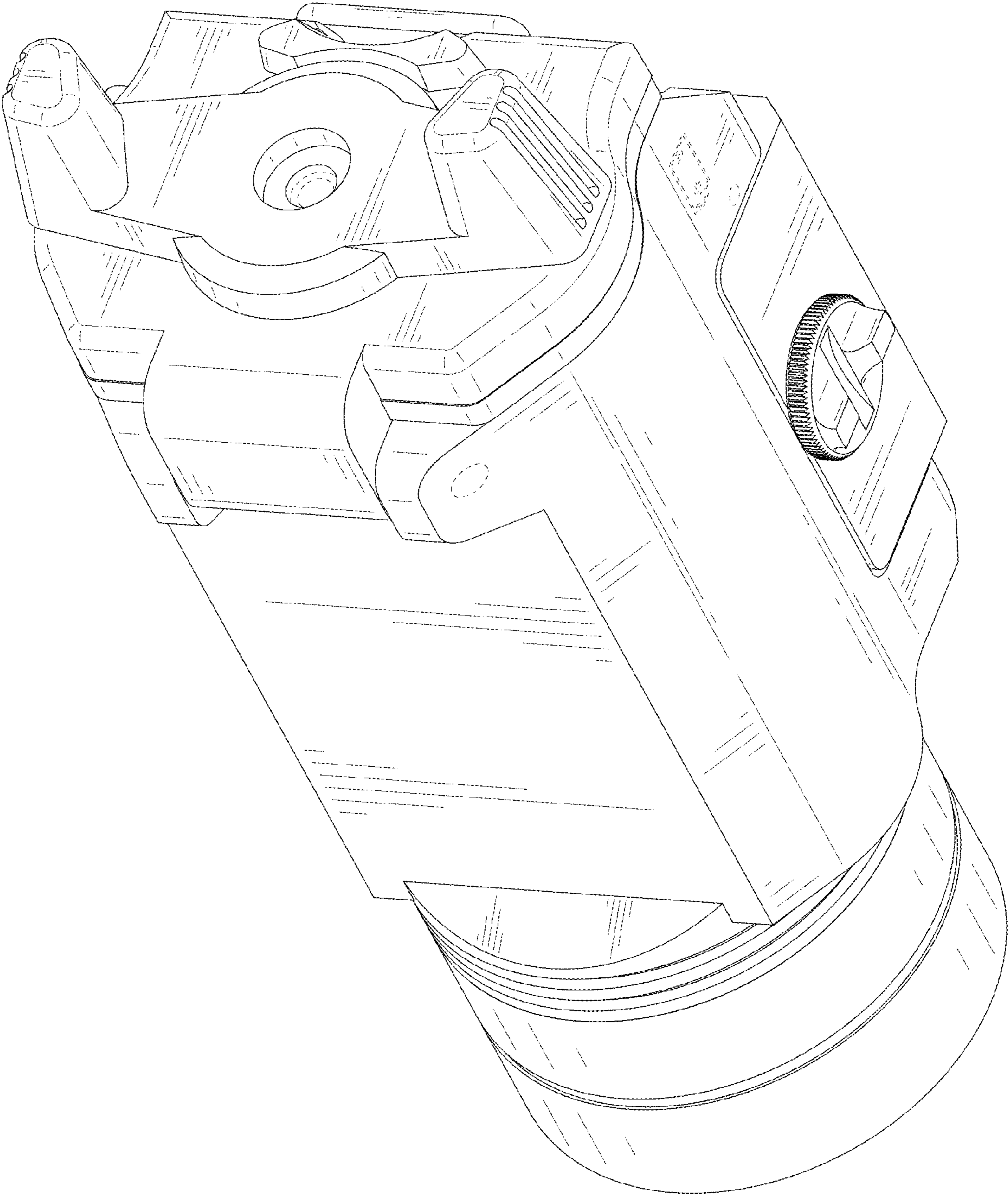


FIG. 2

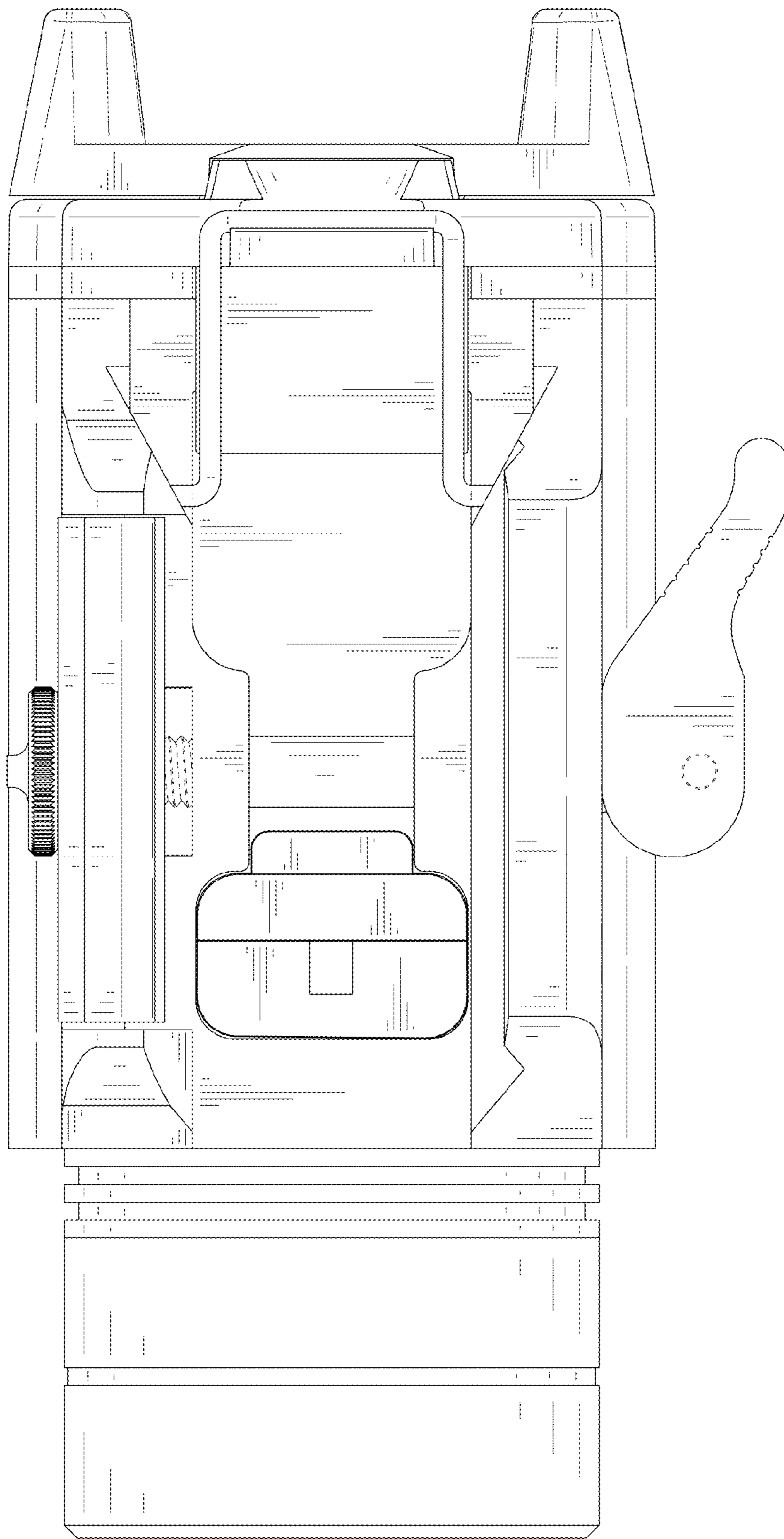


FIG. 3

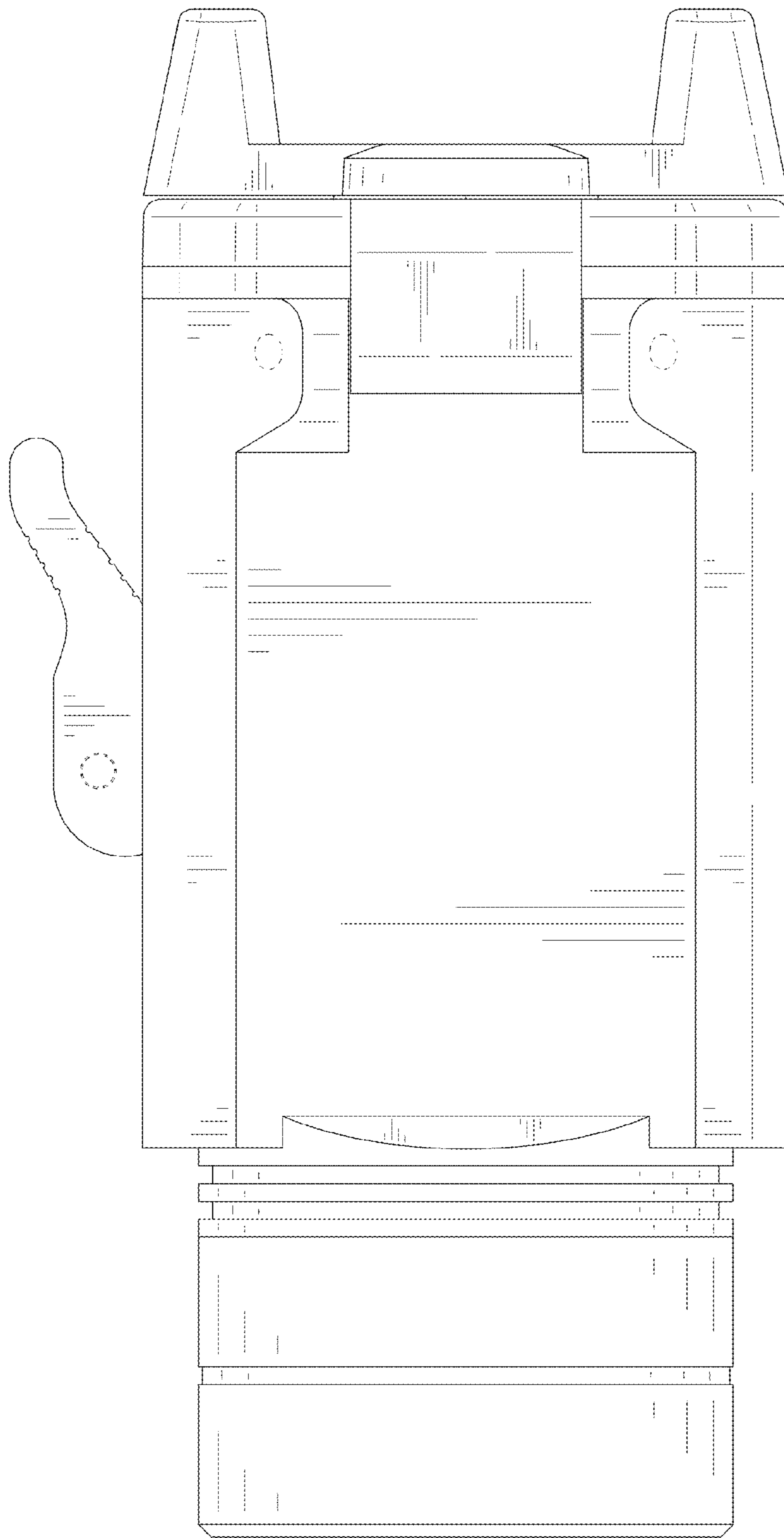


FIG. 4

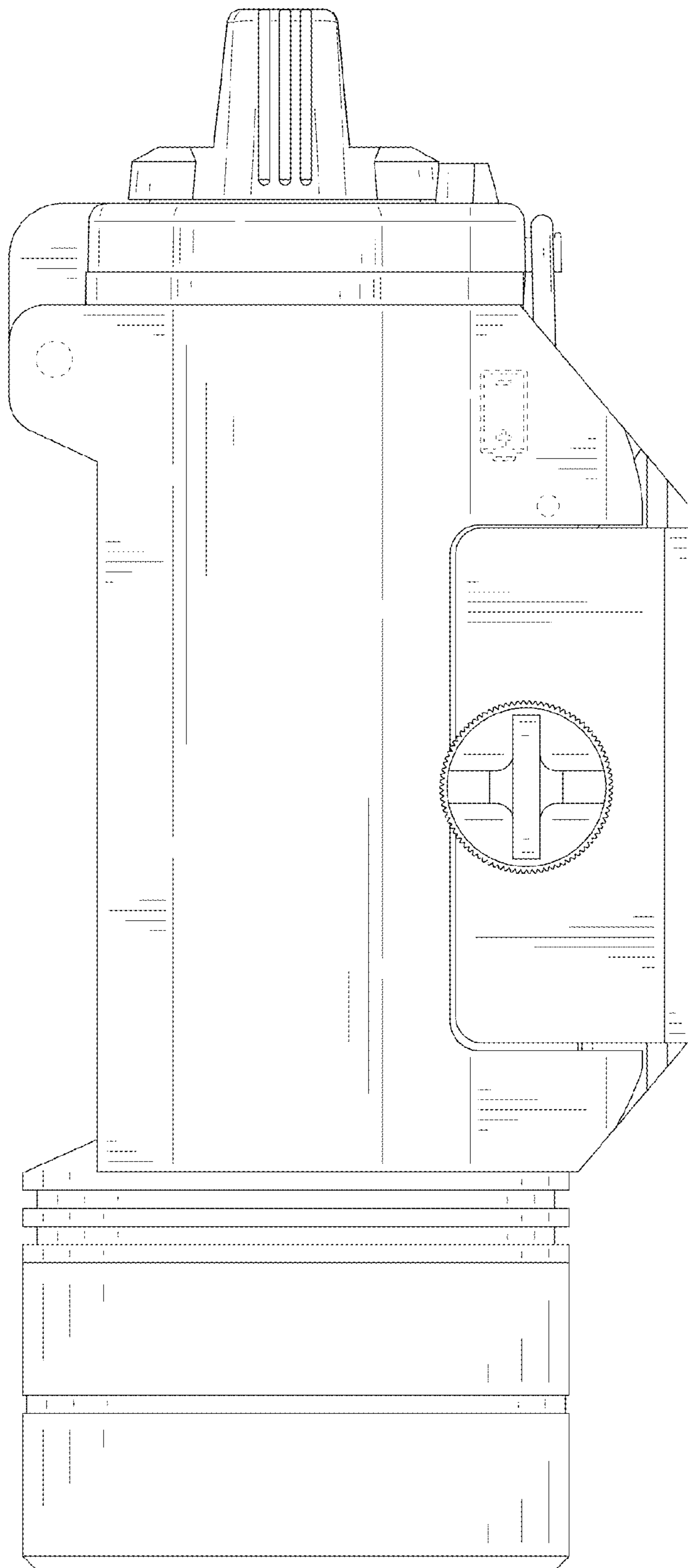


FIG. 5

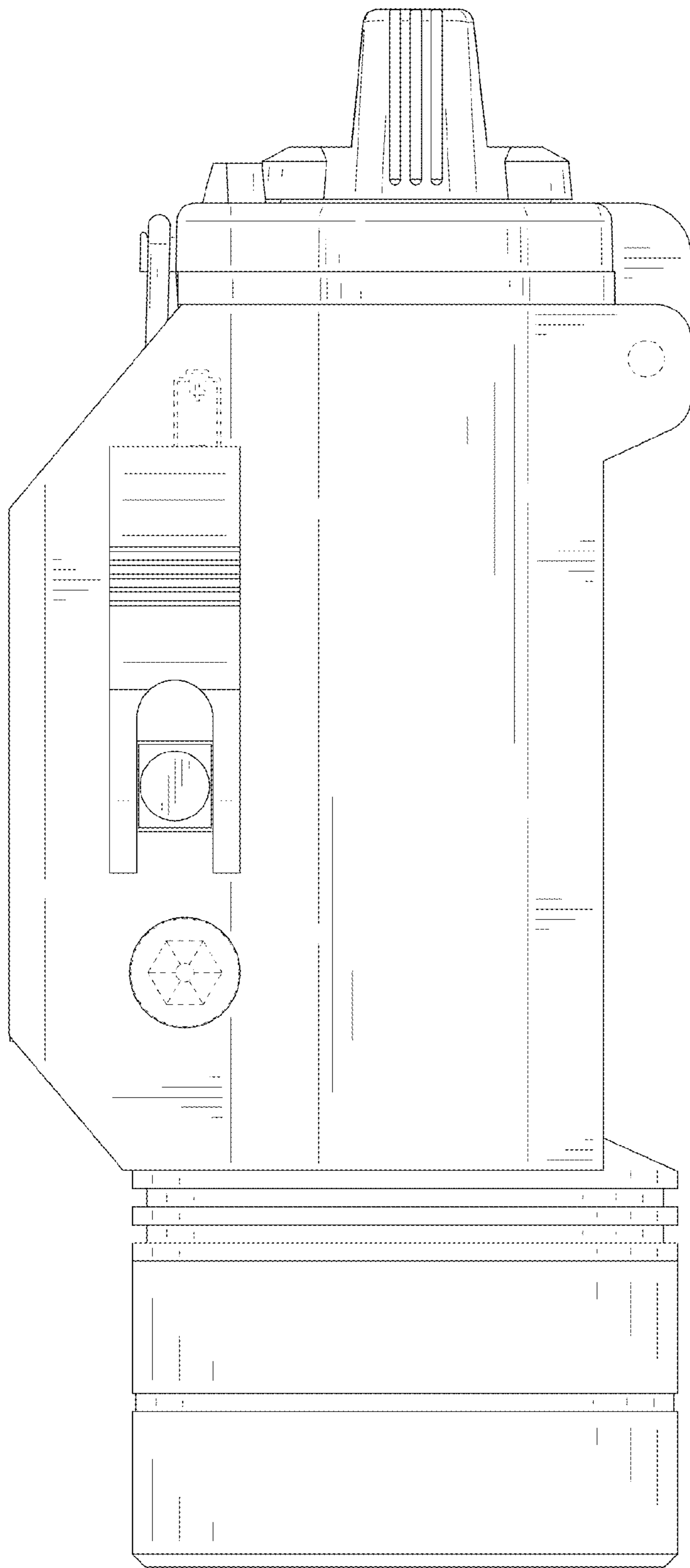


FIG. 6



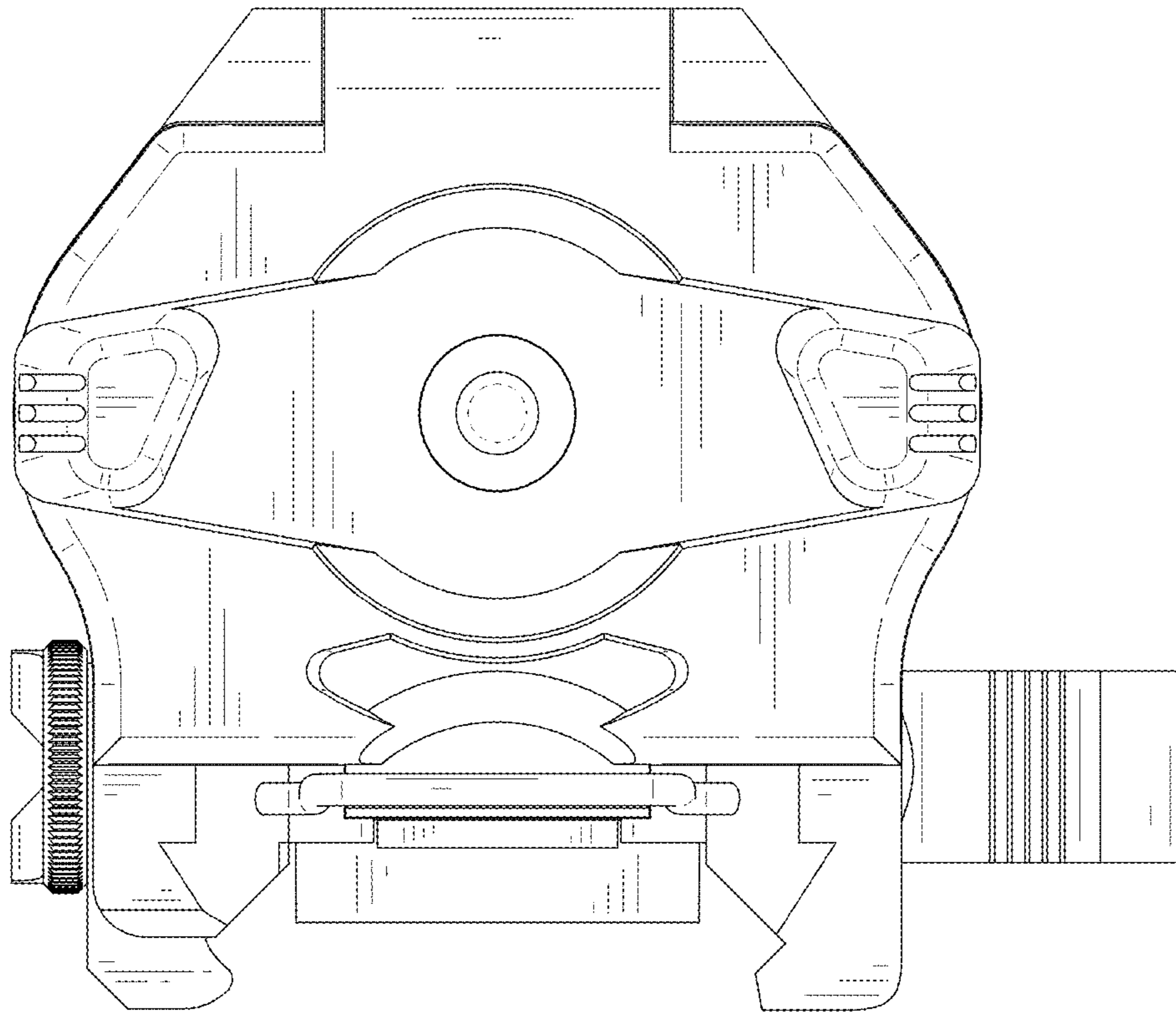


FIG. 7

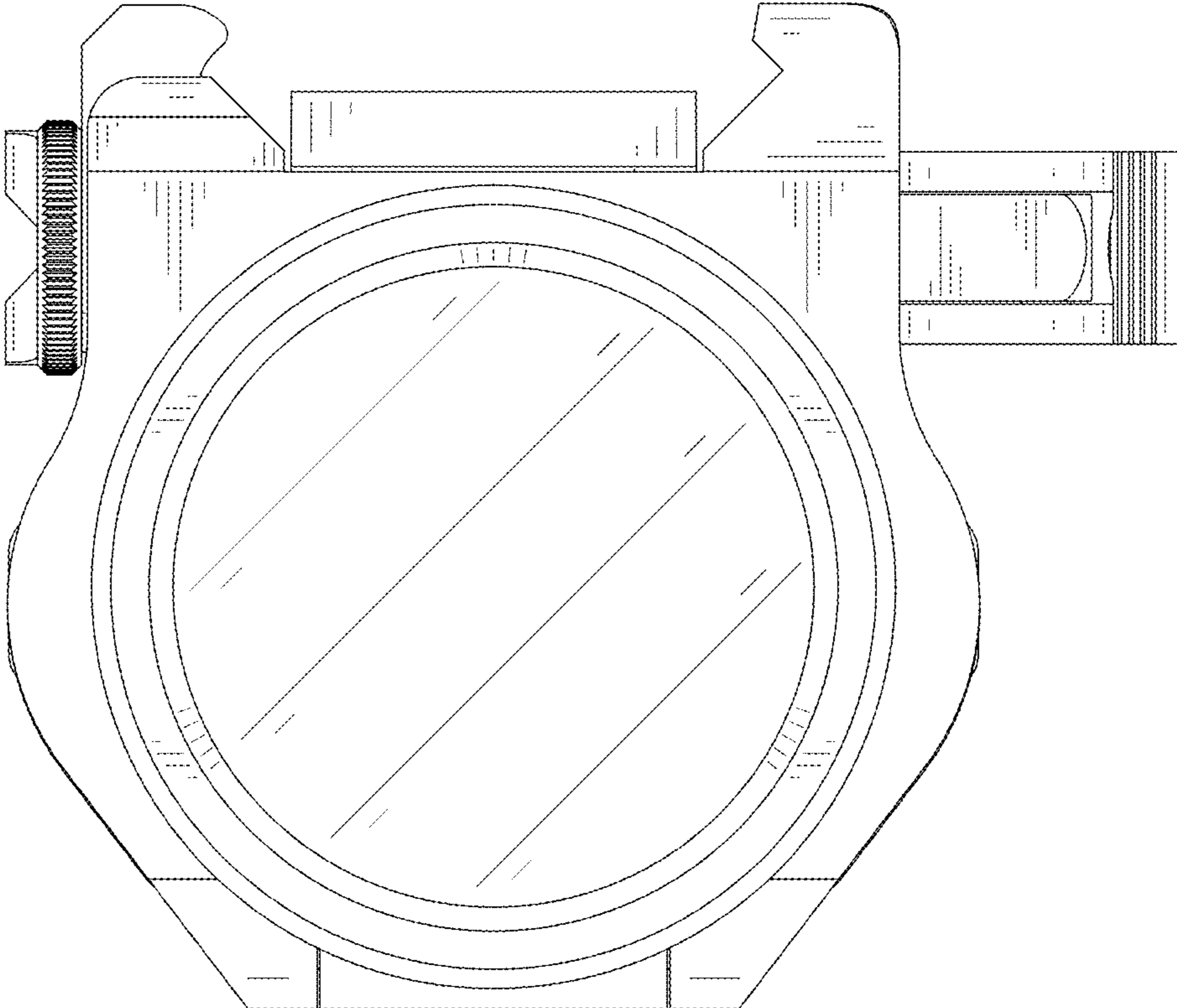


FIG. 8

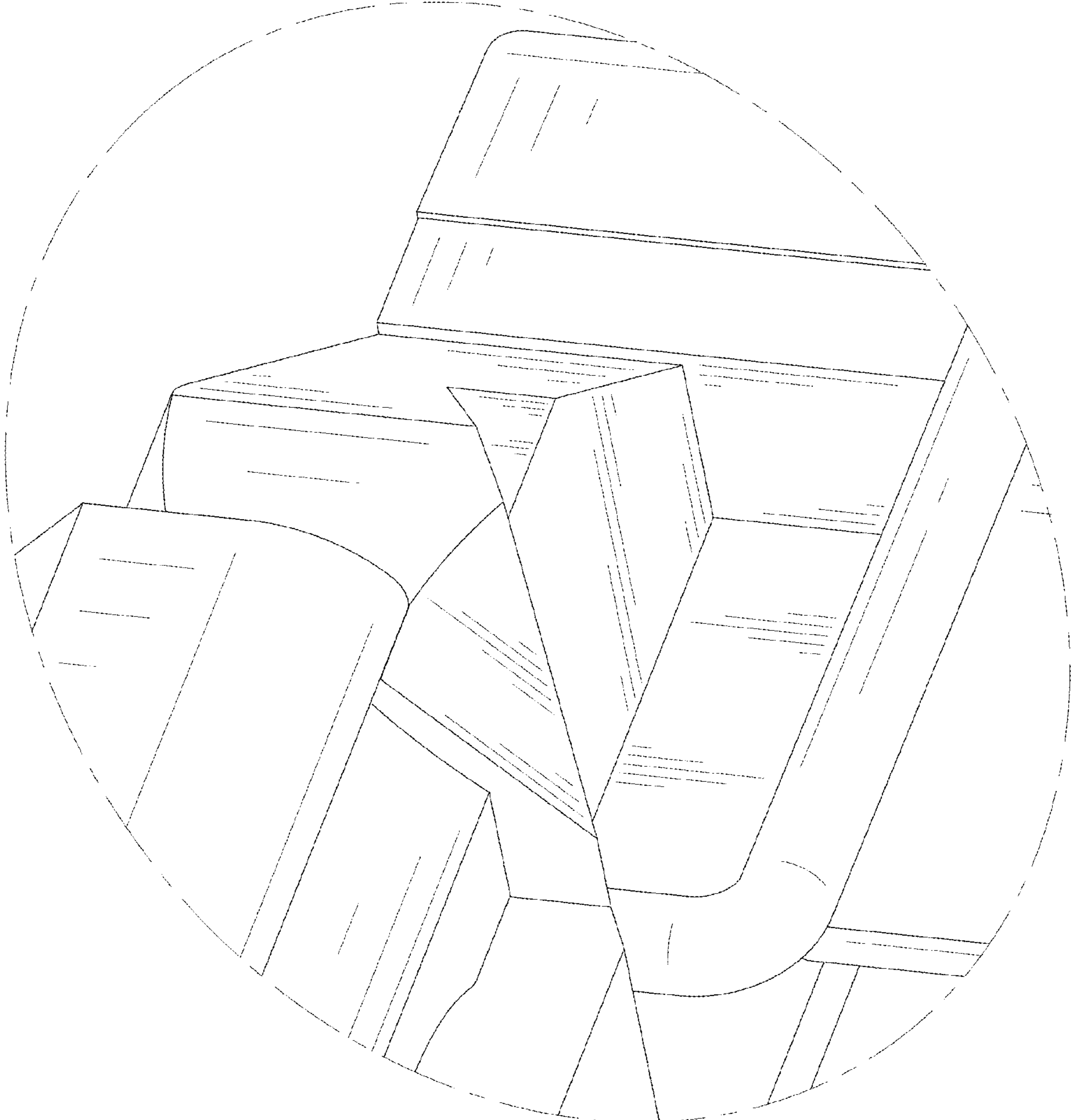


FIG. 9