



US00D969258S

(12) **United States Design Patent**  
**DeJessa**

(10) **Patent No.:** **US D969,258 S**  
(45) **Date of Patent:** **\*\* Nov. 8, 2022**

- (54) **FIREARM SUPPRESSOR**
- (71) Applicant: **Smith & Wesson Inc.**, Springfield, MA (US)
- (72) Inventor: **Joseph DeJessa**, West Brookfield, MA (US)
- (73) Assignee: **Smith & Wesson Inc.**, Springfield, MA (US)

- D584,787 S \* 1/2009 Brittingham ..... D22/108
  - D585,518 S \* 1/2009 Brittingham ..... D22/108
  - D591,382 S \* 4/2009 Brittingham ..... D22/108
  - 8,973,481 B2 \* 3/2015 Dueck ..... F41A 21/325  
89/14.4
  - D764,621 S \* 8/2016 Dueck ..... D22/108
  - D792,545 S \* 7/2017 Green ..... D22/108
  - D810,224 S \* 2/2018 Lessard ..... D22/108
  - 10,330,420 B2 \* 6/2019 Kunsy ..... F41A 21/325
  - D860,372 S \* 9/2019 Riley ..... D22/108
  - 10,488,139 B1 \* 11/2019 Graham, II ..... F41A 21/325
- (Continued)

(\*) Notice: Patent file contains an affidavit/declaration under 37 CFR 1.130(b).

(\*\*) Term: **15 Years**

(21) Appl. No.: **29/732,239**

(22) Filed: **Apr. 22, 2020**

(51) **LOC (13) Cl.** ..... **22-01**

(52) **U.S. Cl.**  
USPC ..... **D22/108**

(58) **Field of Classification Search**  
USPC ..... D22/100, 101, 103, 104, 105, 108, 199;  
D21/573-575; D15/138  
CPC ..... F41A 21/30; F41A 21/325; F41A 13/00;  
F41A 21/44; F41A 35/04  
See application file for complete search history.

(56) **References Cited**

**U.S. PATENT DOCUMENTS**

- D158,792 S \* 5/1950 Powell ..... D22/108
- D158,793 S \* 5/1950 Powell ..... D22/108
- D158,794 S \* 5/1950 Powell ..... D22/108
- D158,795 S \* 5/1950 Powell ..... D22/108
- D158,796 S \* 5/1950 Powell ..... D22/108
- D158,797 S \* 5/1950 Powell ..... D22/108
- D476,103 S \* 6/2003 Galli ..... D26/37
- D582,502 S \* 12/2008 Brittingham ..... D22/108
- D582,503 S \* 12/2008 Brittingham ..... D22/108
- D584,786 S \* 1/2009 Brittingham ..... D22/108

**OTHER PUBLICATIONS**

Austin R. "New Modular Lunar® 9 Suppressor from Gemtech".  
Posted: Jan. 9, 2020 [visited: Jan. 7, 2022] TheFirearmBlog URL:  
<https://www.thefirearmblog.com/blog/2020/01/09/new-modular-lunar-9-suppressor-from-gemtech/> (Year: 2020).\*

(Continued)

*Primary Examiner* — Michael A. Pratt

(74) *Attorney, Agent, or Firm* — Stinson LLP

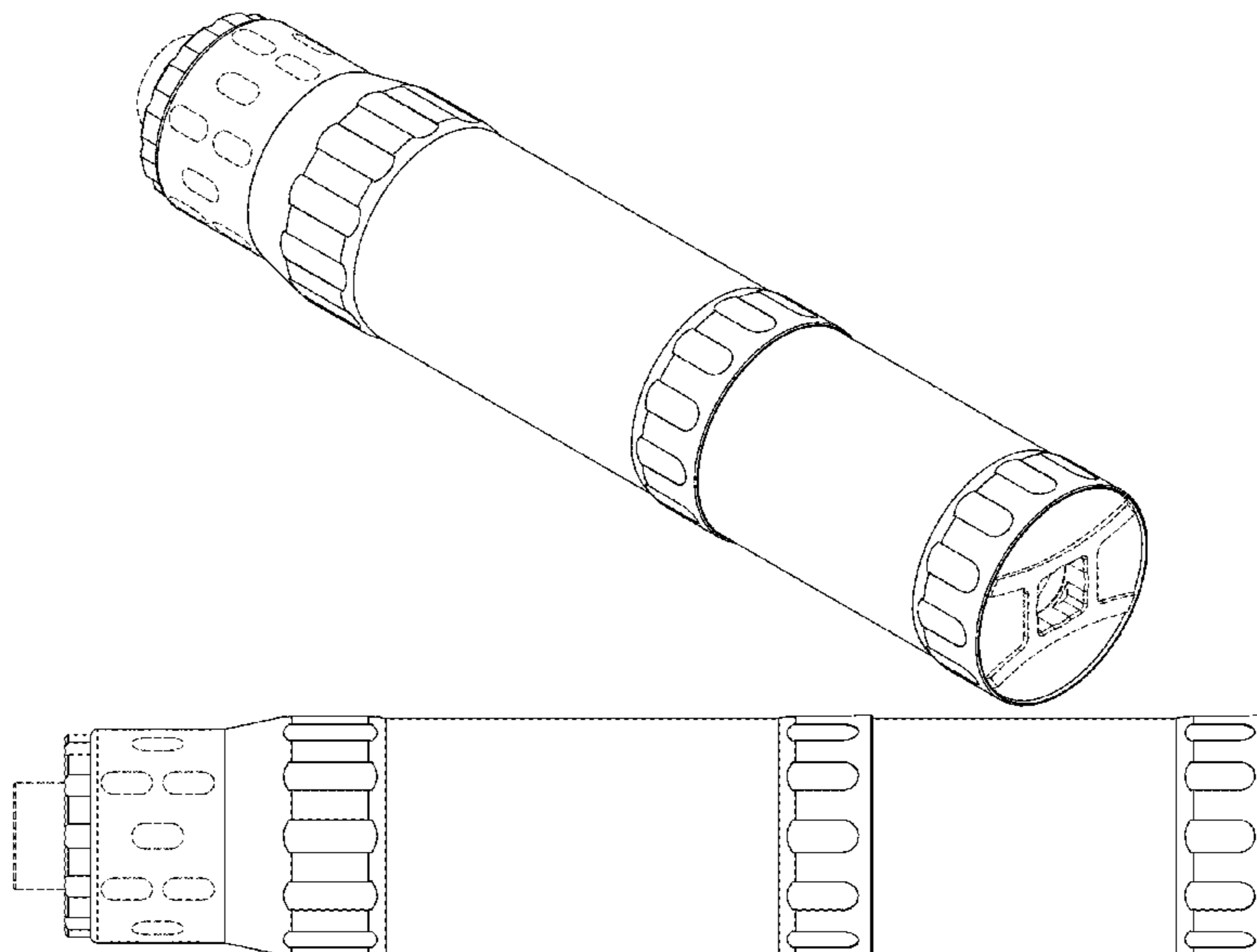
(57) **CLAIM**

The ornamental design for a firearm suppressor, as shown and described.

**DESCRIPTION**

FIG. 1 is a perspective of a firearm suppressor;  
FIG. 2 is a front view of the firearm suppressor of FIG. 1;  
FIG. 3 is a top view of the firearm suppressor of FIG. 1;  
FIG. 4 is a rear view of the firearm suppressor of FIG. 1;  
FIG. 5 is a bottom view of the firearm suppressor of FIG. 1;  
FIG. 6 is a right end view of the firearm suppressor of FIG. 1; and,  
FIG. 7 is a left end view of the firearm suppressor of FIG. 1.  
The broken lines in FIGS. 1-7 are directed to features forming no part of the claimed design.

**1 Claim, 6 Drawing Sheets**



(56)

**References Cited**

U.S. PATENT DOCUMENTS

D888,871 S \* 6/2020 Alomaira ..... D22/108  
D910,139 S \* 2/2021 Chin ..... D22/108  
10,969,187 B2 \* 4/2021 DeJessa ..... F41A 21/325  
2021/0270558 A1 \* 9/2021 DeJessa ..... F41A 21/325  
2021/0389076 A1 \* 12/2021 Turnblom ..... F41A 21/30  
2021/0389077 A1 \* 12/2021 Turnblom ..... F41A 21/30

OTHER PUBLICATIONS

Mrgunsngear Channel. "New Gemtech Lunar 9 9mm and 300BLK Modular Suppressor Test & Review". Posted: Jan. 29, 2020 [visited: Jan. 7, 2022] Youtube URL: <https://www.youtube.com/watch?v=i-fXh0kl9z8> (Year: 2020).\*

Jeremy S. "Gemtech Lunar 9 Range Review" Posted: Feb. 1, 2020 [visited: Jan. 7, 2022] Youtube URL: <https://www.youtube.com/watch?v=uAN2AUA0MW8> (Year: 2020).\*

SageDynamics. "Gemtech Lunar 9" Posted: Feb. 7, 2020 [visited: Jan. 7, 2022] Youtube URL: <https://www.youtube.com/watch?v=H1fNpm4Auic> (Year: 2020).\*

Gemtech II Suppressors Online Catalog, 2016-2020, 8 pages, <https://www.gemtech.com/catalog/product/view/d/396/s/lunar-45/category/10/>.

\* cited by examiner

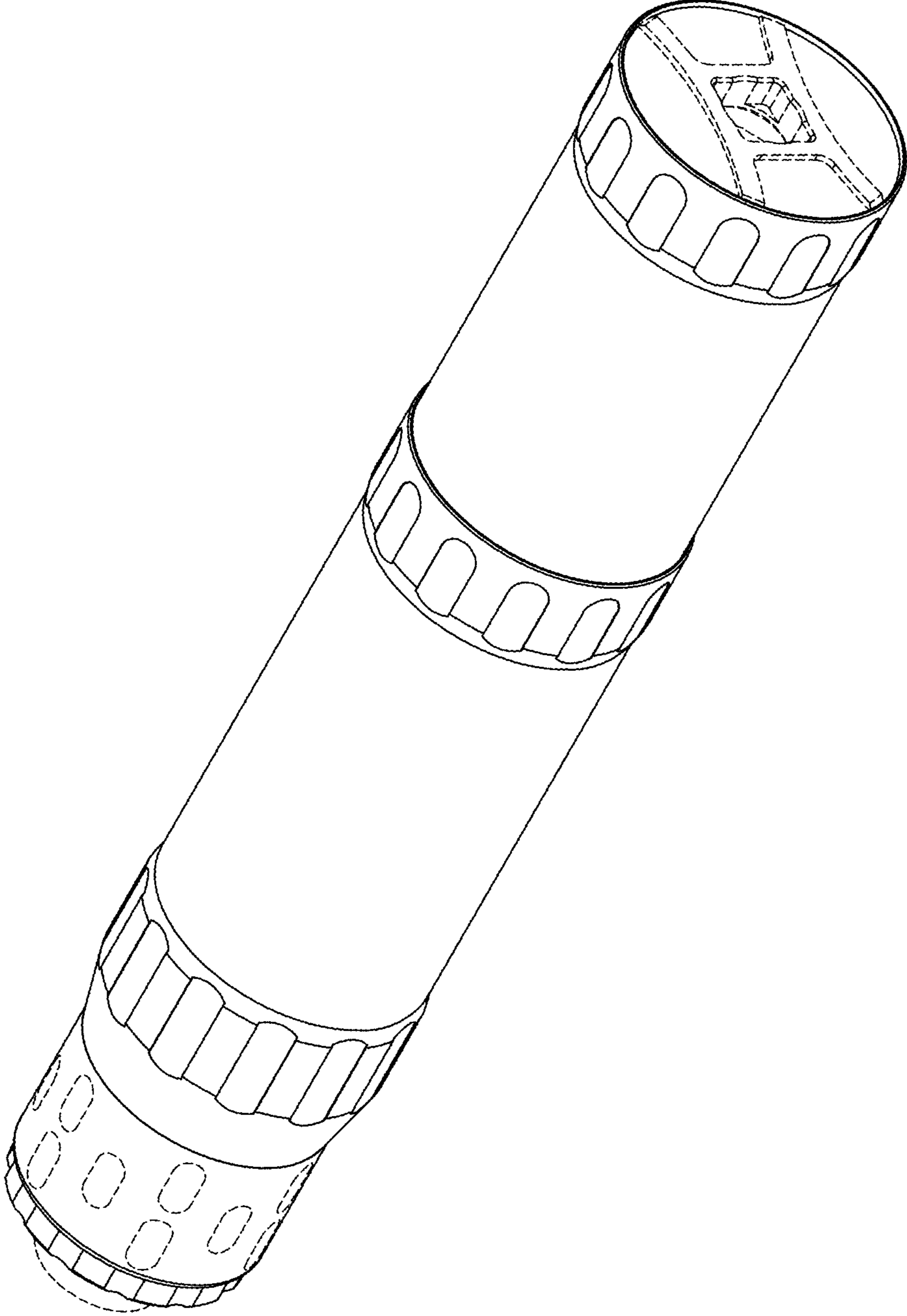


FIG. 1

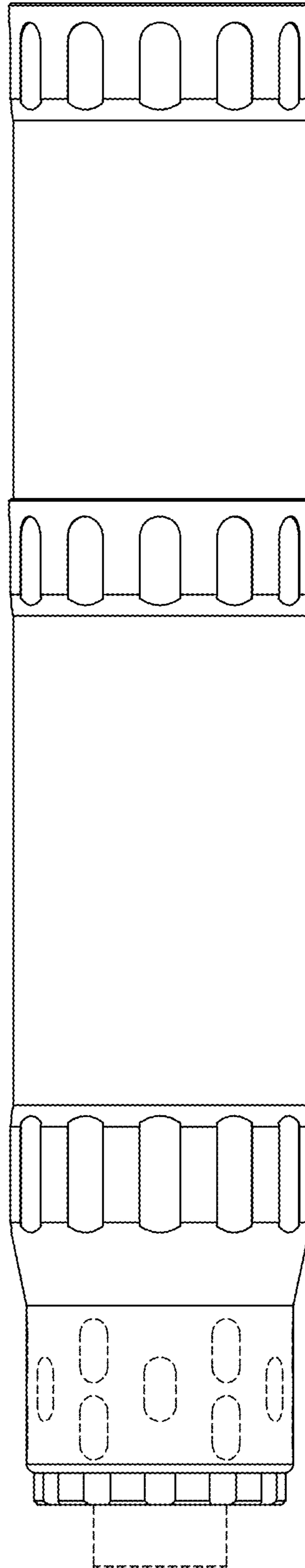


FIG. 2

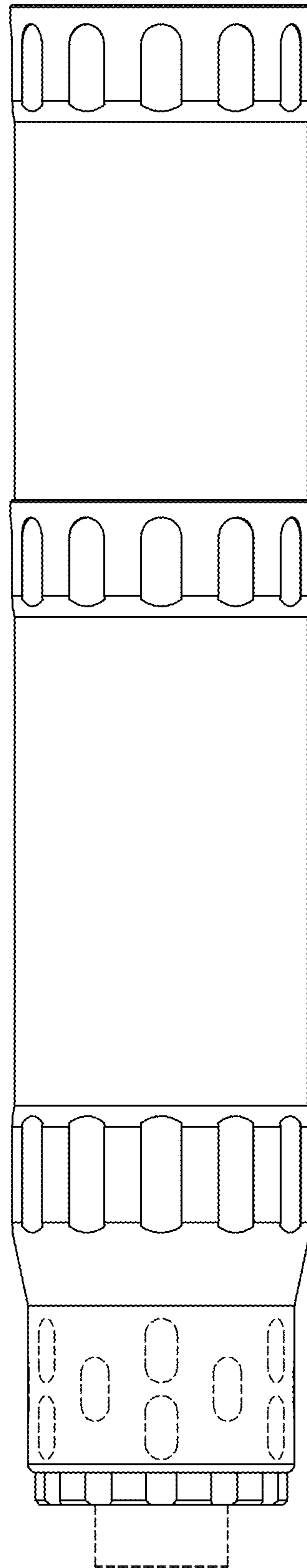


FIG. 3

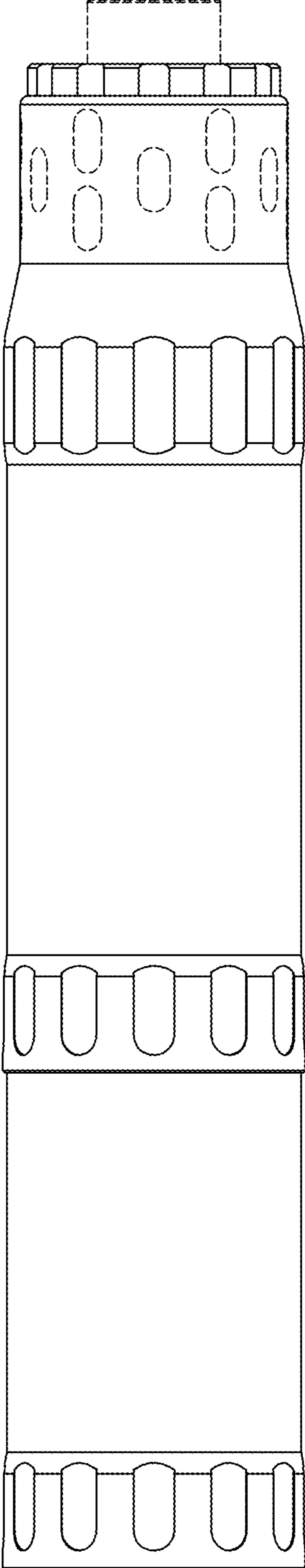


FIG. 4

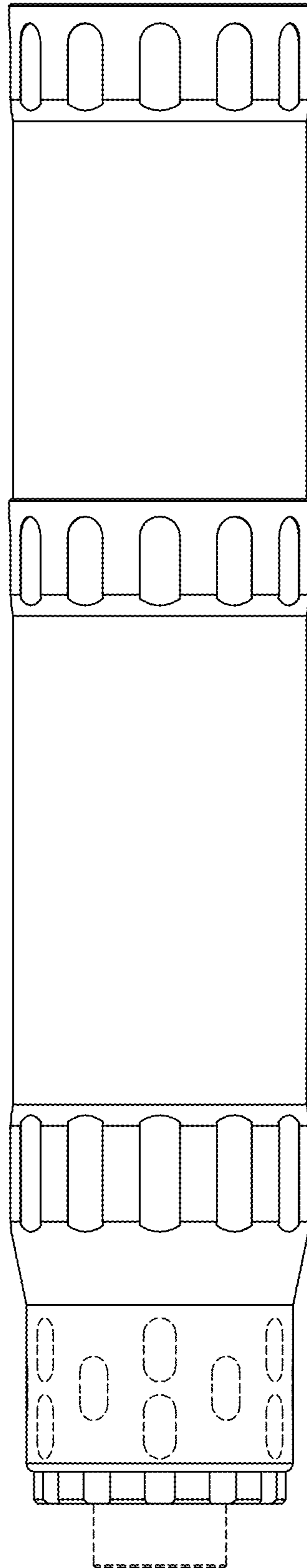


FIG. 5

FIG. 6

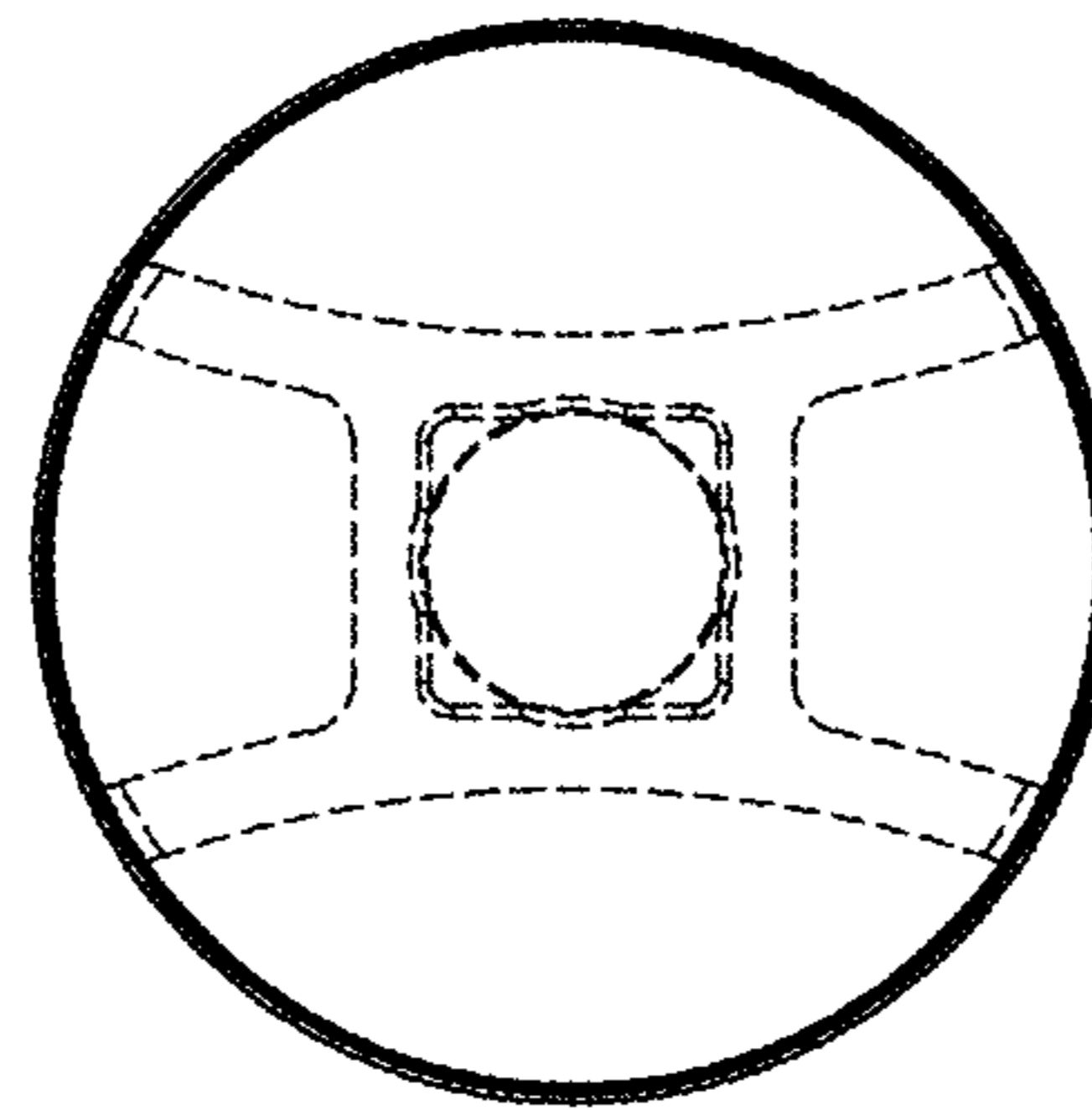


FIG. 7

